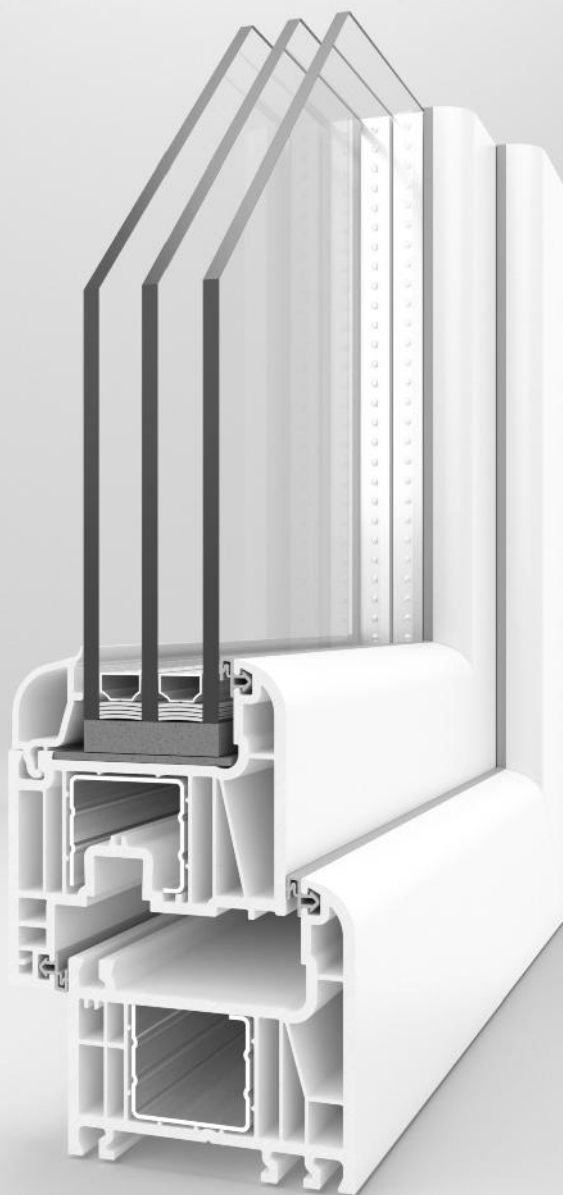


# **M KMG**<sup>®</sup>

PVC WINDOWS & DOORS SYSTEMS

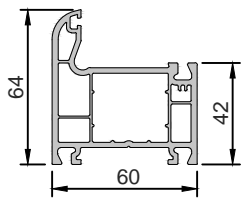
## **PVC PROFILES SYSTEMS**



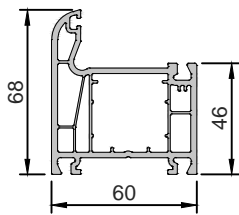
**Technical  
catalogue**

*PRELUDE* /series 60mm/

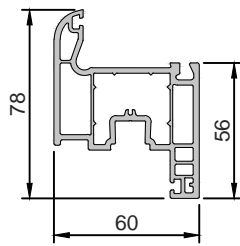
main profiles



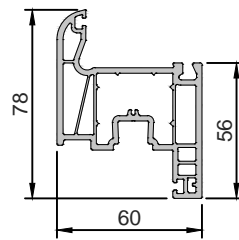
482.30  
frame



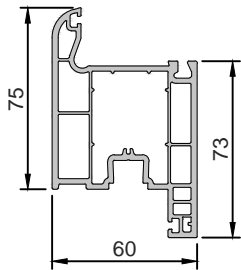
482.20  
frame



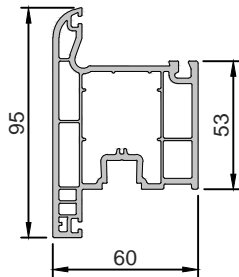
482.05  
sash



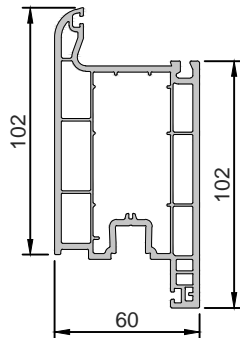
482.18  
sash



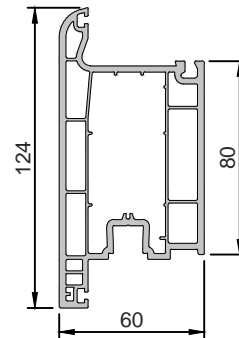
482.25  
sash



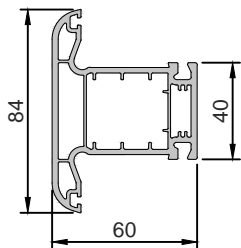
482.23  
sash



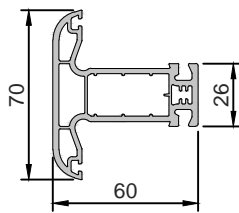
482.26  
door sash



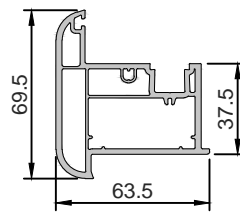
482.27  
door sash



482.21  
mullion

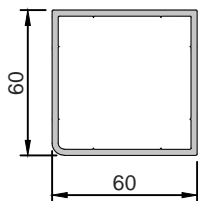


482.24  
mullion

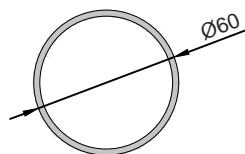


482.11  
overhung

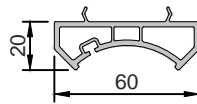
additional profiles



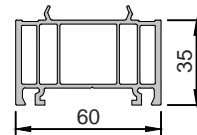
04.841  
column for 90° angle



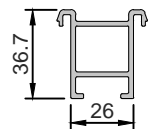
04.840  
pipe



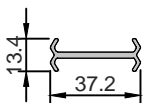
04.842  
addition for pipe



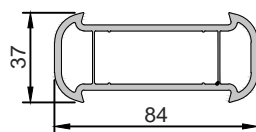
482.12  
frame extension



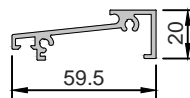
549.09  
lift profile



549.18  
coupling profile



482.13  
large coupling profile



E 3308  
aluminium threshold

# PRELUDE /series 60mm/

## EPDM gaskets



PAR-02



ALT-04

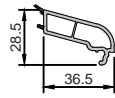
## TPV gaskets



## glass beads



482.01  
glass bead 24mm



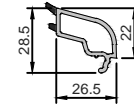
482.14  
glass bead 4mm



482.15  
glass bead 24mm



482.22  
glass bead 32mm

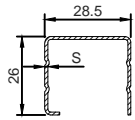


549.10  
glass bead 14mm

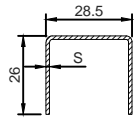


549.13  
compensator

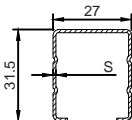
## reinforcements



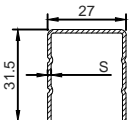
TRE 01  
S=1.0mm



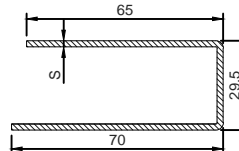
TRE 01  
S=1.2mm  
S=1.5mm  
S=2.0mm



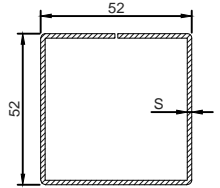
TRE 02-60  
S=1.0mm



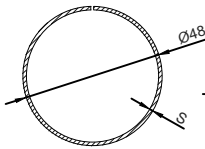
TRE 02-60  
S=1.2mm  
S=1.5mm  
S=2.0mm



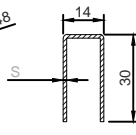
TRE 03  
S=2.0mm



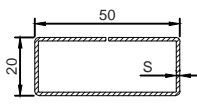
TRE 06  
S=1.5mm



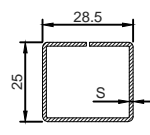
TRE 10  
S=1.2mm



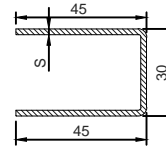
TRE 08  
S=1.2mm



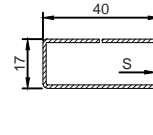
TRE 12  
S=1.2mm  
S=1.5mm



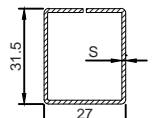
TRE 13  
S=1.2mm



TRE 16  
S=1.5mm  
S=2.0mm

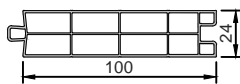


TRE 17  
S=1.2mm  
S=1.5mm

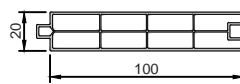


TRE 19  
S=1.2mm

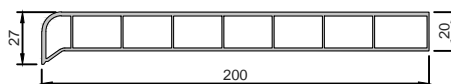
## PVC panels and sills



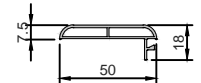
04.843  
PVC panel



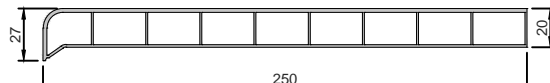
04.844  
PVC panel



04.846  
sill

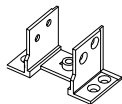


04.860  
edge

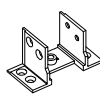


04.847  
sill

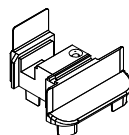
## accessories



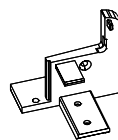
KM446  
mullion connector  
for 482.21



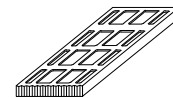
KM241  
mullion connector  
for 482.24



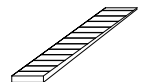
KM344  
end cover cap for  
overhung 482.11



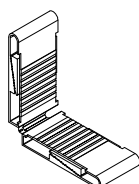
KM530  
end cap for  
threshold 60mm



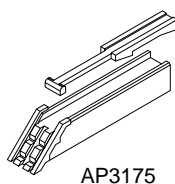
AP3220; AP3230;  
AP3240; AP3250;  
glazing spacer



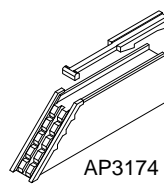
AP3320; AP3324;  
AP3326; AP3330; AP3332;  
bridge



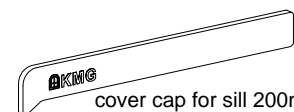
AP3170; AP3174; AP3172;  
angle



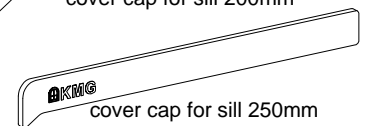
AP3175  
angle joint for  
sash 482.23 and 482.25



AP3174  
angle joint for  
door sash 482.26 and 482.27



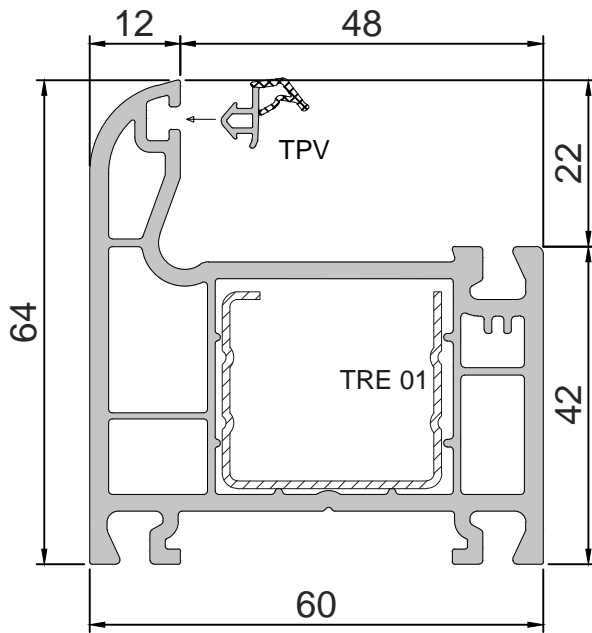
cover cap for sill 200mm



cover cap for sill 250mm

# 482.30

frame



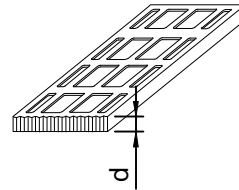
## EPDM gaskets



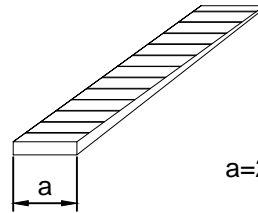
PAR-02



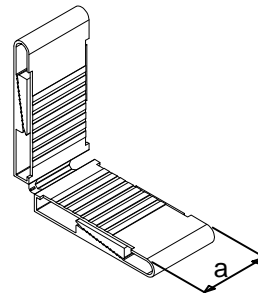
ALT-04



AP3220;AP3230;  
AP3240;AP3250;  
glazing spacer  
d=2mm;3mm;4mm;5mm;



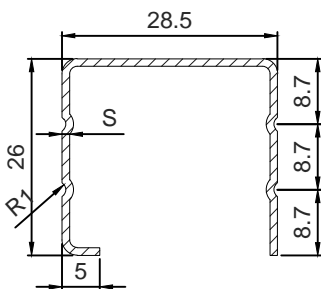
AP3320;AP3324;  
AP3326;AP3330;AP3332;  
bridge  
a=20mm;24mm;26mm;30mm;32mm;



AP3170;AP3174;AP3172;  
angle  
a=18mm;24mm;32mm;

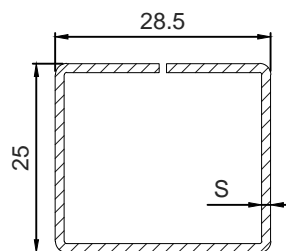
## REINFORCEMENTS:

TRE 01



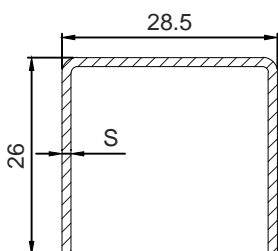
$\frac{S(mm)}{1.0}$	$I_x=0.64 \text{ cm}^4$ $I_y=1.17 \text{ cm}^4$
---------------------	--

TRE 13



$\frac{S(mm)}{1.2}$	$I_x=1.15 \text{ cm}^4$ $I_y=1.44 \text{ cm}^4$
---------------------	--

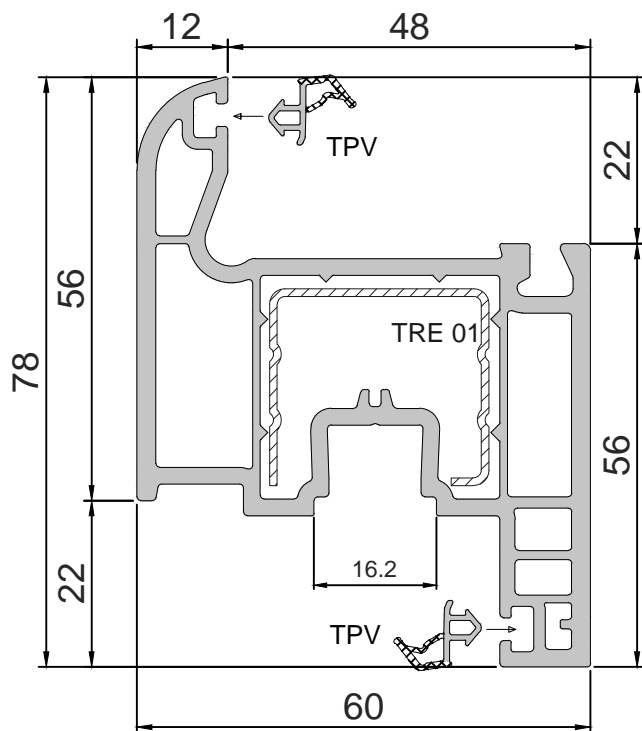
TRE 01



$\frac{S(mm)}{1.2}$	$I_x=0.66 \text{ cm}^4$ $I_y=1.31 \text{ cm}^4$
1.5	
2.0	

# 482.05

sash



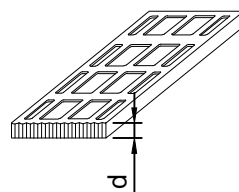
## EPDM gaskets



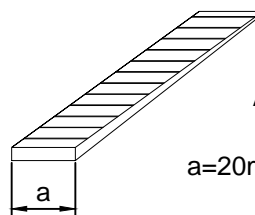
PAR-02



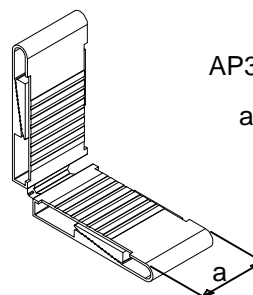
ALT-04



AP3220;AP3230;  
AP3240;AP3250;  
glazing spacer  
d=2mm;3mm;4mm;5mm;



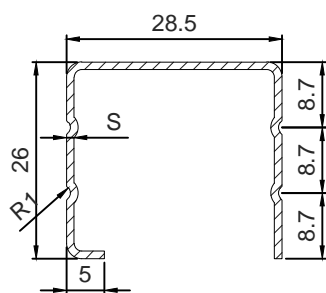
AP3320;AP3324;  
AP3326;AP3330;AP3332;  
bridge  
a=20mm;24mm;26mm;30mm;32mm;



AP3170;AP3174;AP3172;  
angle  
a=18mm;24mm;32mm;

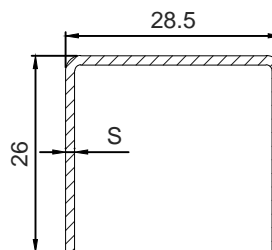
## REINFORCEMENTS:

TRE 01



S(mm)	$I_x=0.64 \text{ cm}^4$ $I_y=1.17 \text{ cm}^4$
1.0	

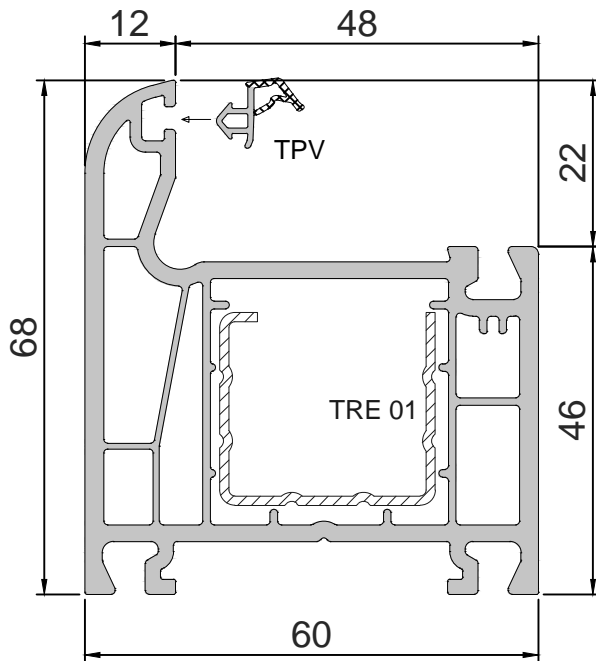
TRE 01



S(mm)	$I_x=0.66 \text{ cm}^4$ $I_y=1.31 \text{ cm}^4$
1.2	
1.5	
2.0	

# 482.20

frame



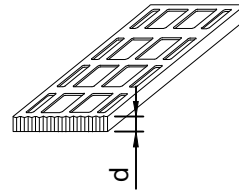
## EPDM gaskets



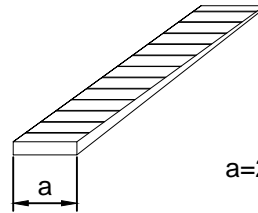
PAR-02



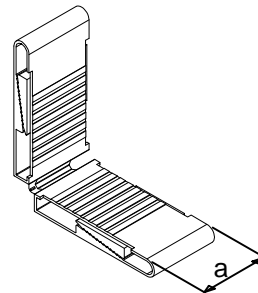
ALT-04



AP3220;AP3230;  
AP3240;AP3250;  
glazing spacer  
d=2mm;3mm;4mm;5mm;



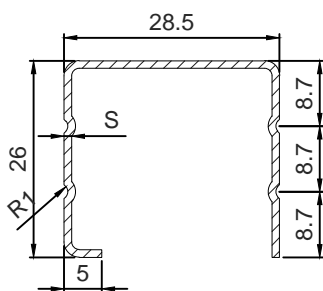
AP3320;AP3324;  
AP3326;AP3330;AP3332;  
bridge  
a=20mm;24mm;26mm;30mm;32mm;



AP3170;AP3174;AP3172;  
angle  
a=18mm;24mm;32mm;

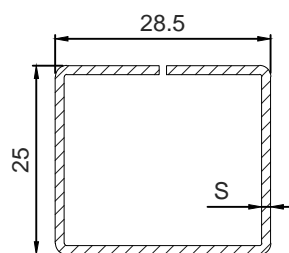
## REINFORCEMENTS:

TRE 01



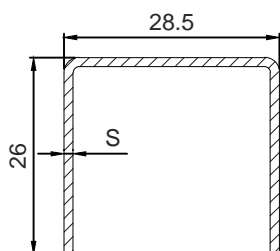
S(mm)	$I_x=0.64 \text{ cm}^4$ $I_y=1.17 \text{ cm}^4$
1.0	

TRE 13



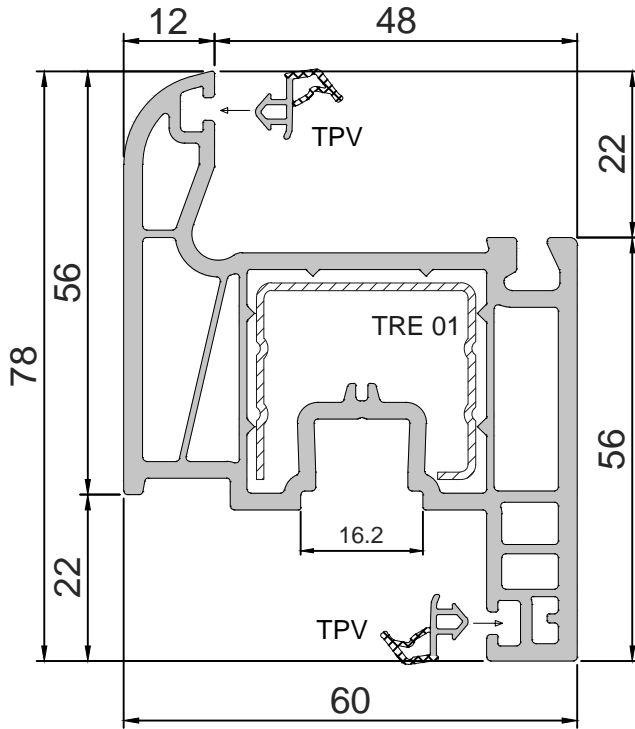
S(mm)	$I_x=1.15 \text{ cm}^4$ $I_y=1.44 \text{ cm}^4$
1.2	

TRE 01



S(mm)	$I_x=0.66 \text{ cm}^4$ $I_y=1.31 \text{ cm}^4$
1.2	
1.5	
2.0	

**482.18**  
sash



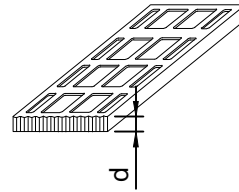
**EPDM gaskets**



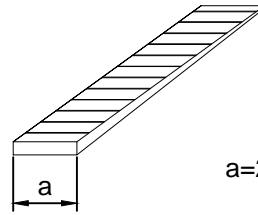
PAR-02



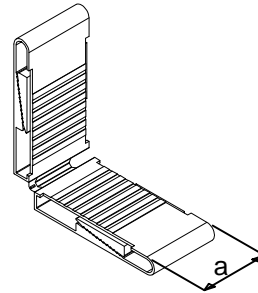
ALT-04



AP3220;AP3230;  
AP3240;AP3250;  
glazing spacer  
d=2mm;3mm;4mm;5mm;



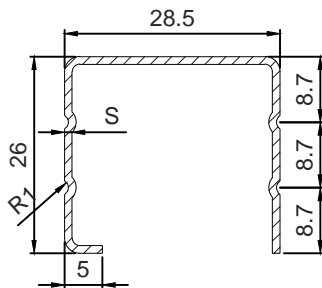
AP3320;AP3324;  
AP3326;AP3330;AP3332;  
bridge  
a=20mm;24mm;26mm;30mm;32mm;



AP3170;AP3174;AP3172;  
angle  
a=18mm;24mm;32mm;

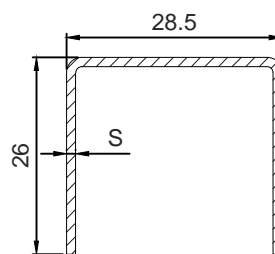
**REINFORCEMENTS:**

TRE 01



S(mm)	$I_x=0.64 \text{ cm}^4$ $I_y=1.17 \text{ cm}^4$
1.0	

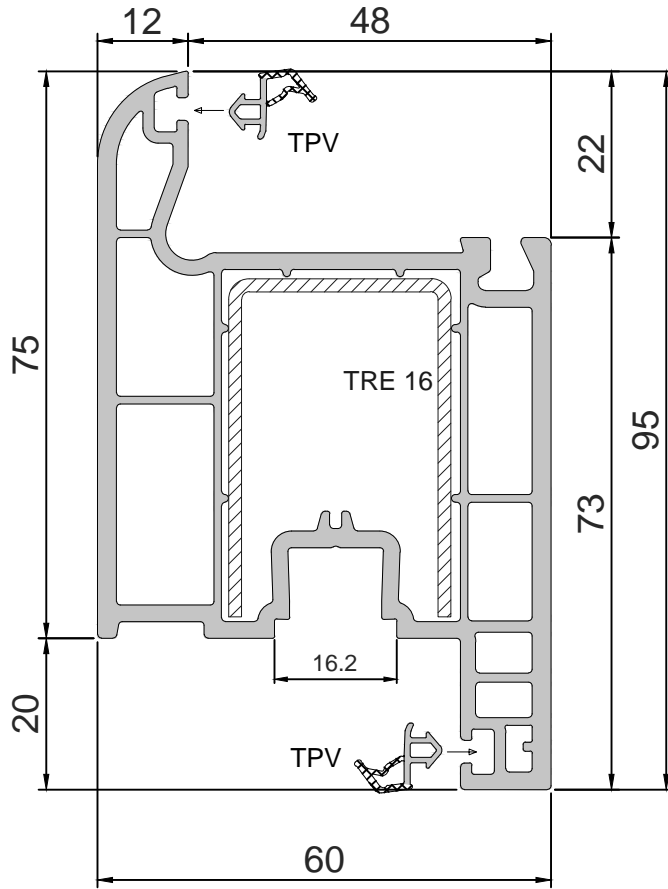
TRE 01



S(mm)	$I_x=0.66 \text{ cm}^4$ $I_y=1.31 \text{ cm}^4$
1.2	
1.5	
2.0	



**482.25**  
sash



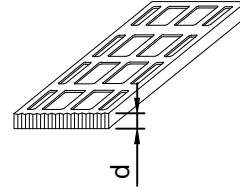
**EPDM gaskets**



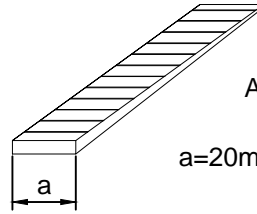
PAR-02



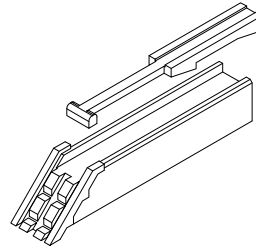
ALT-04



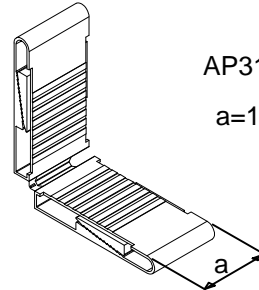
AP3220;AP3230;  
AP3240;AP3250;  
glazing spacer  
d=2mm;3mm;4mm;5mm;



AP3320;AP3324;  
AP3326;AP3330;AP3332;  
bridge  
a=20mm;24mm;26mm;30mm;32mm;



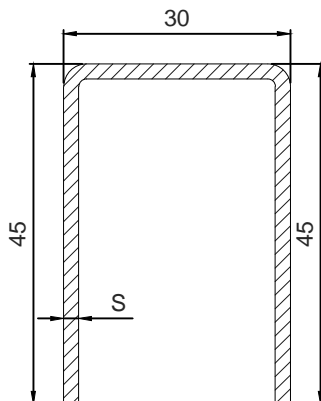
AP3175  
angle joint



AP3170;AP3174;AP3172;  
angle  
a=18mm;24mm;32mm;

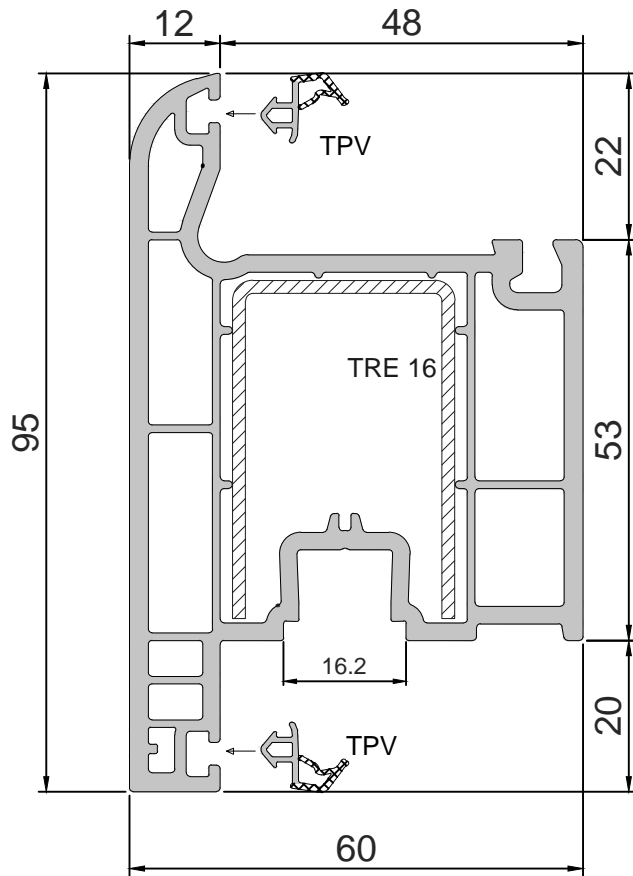
**REINFORCEMENTS:**

TRE 16



S(mm)	$I_x=4.80 \text{ cm}^4$ $I_y=3.75 \text{ cm}^4$
1.5	
2.0	

**482.23**  
sash



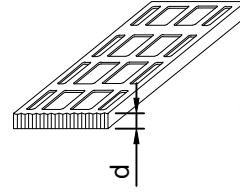
**EPDM gaskets**



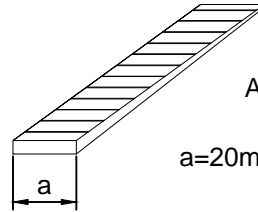
PAR-02



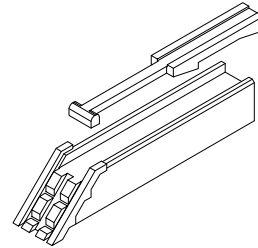
ALT-04



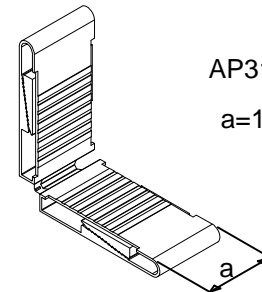
AP3220;AP3230;  
AP3240;AP3250;  
glazing spacer  
d=2mm;3mm;4mm;5mm;



AP3320;AP3324;  
AP3326;AP3330;AP3332;  
bridge  
a=20mm;24mm;26mm;30mm;32mm;



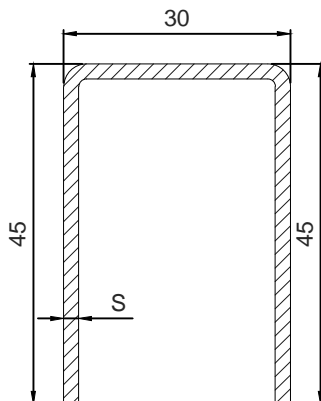
AP3175  
angle joint



AP3170;AP3174;AP3172;  
angle  
a=18mm;24mm;32mm;

**REINFORCEMENTS:**

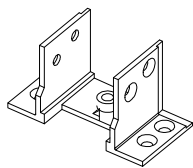
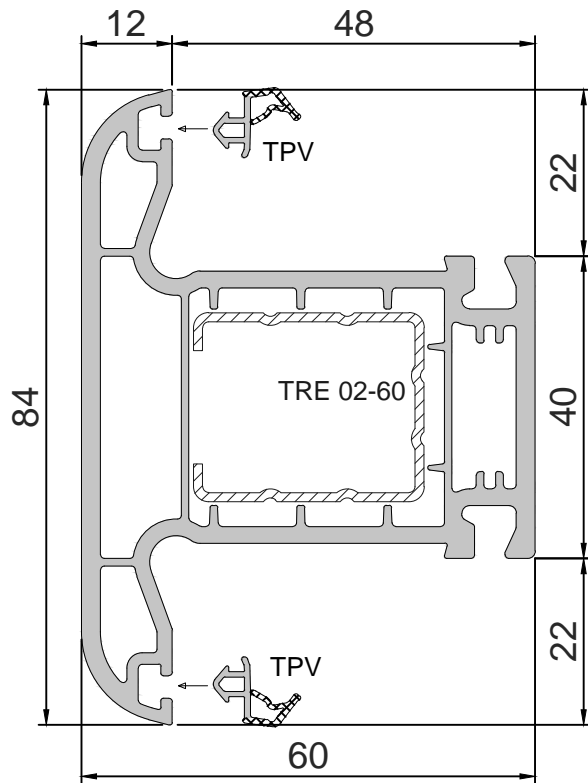
TRE 16



S(mm)	$I_x=4.80 \text{ cm}^4$ $I_y=3.75 \text{ cm}^4$
1.5	
2.0	

# 482.21

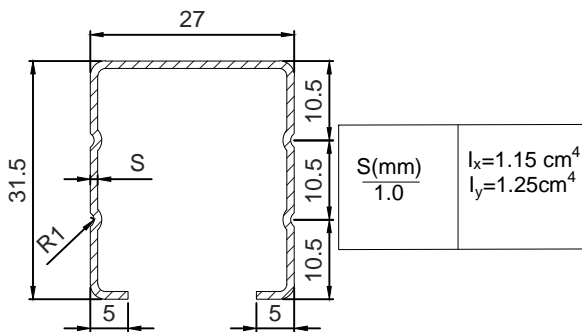
mullion



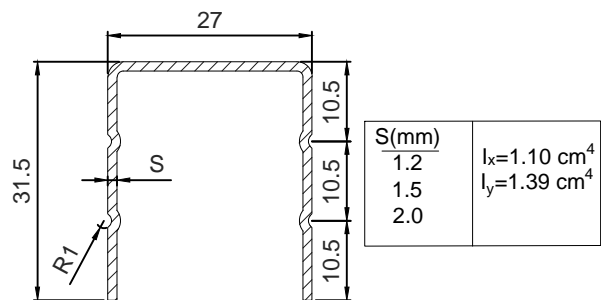
KM446  
mullion connector

## REINFORCEMENTS:

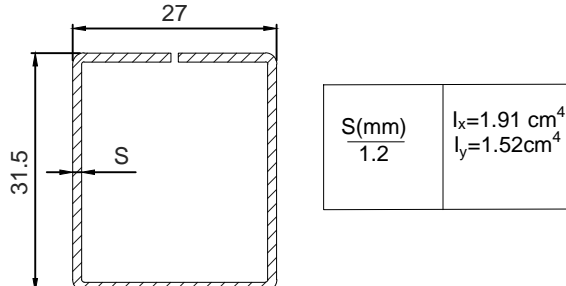
### TRE 02-60



### TRE 02-60



### TRE 19



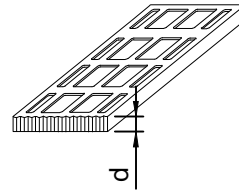
## EPDM gaskets



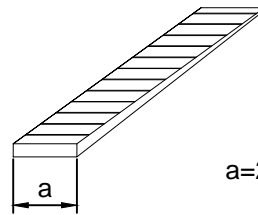
PAR-02



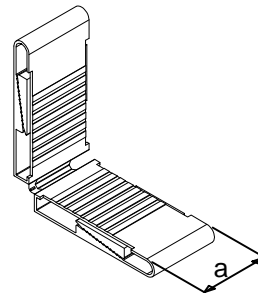
ALT-04



AP3220;AP3230;  
AP3240;AP3250;  
glazing spacer  
d=2mm;3mm;4mm;5mm;

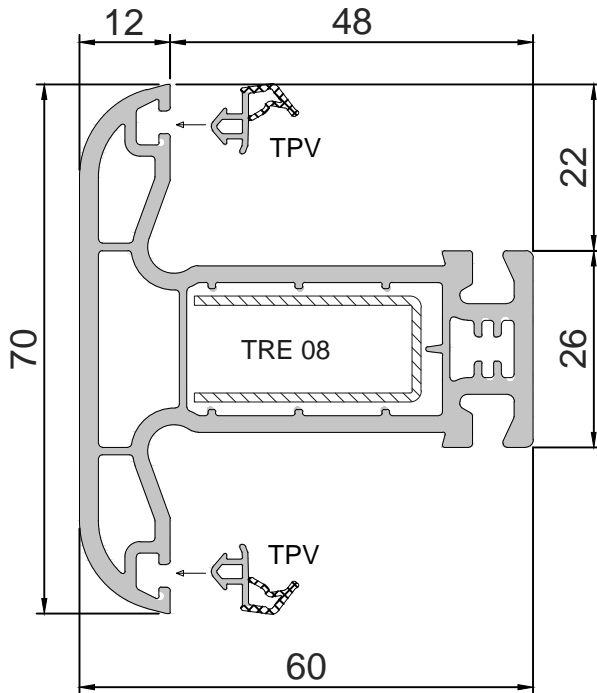


AP3320;AP3324;  
AP3326;AP3330;AP3332;  
bridge  
a=20mm;24mm;26mm;30mm;32mm;



AP3170;AP3174;AP3172;  
angle  
a=18mm;24mm;32mm;

**482.24**  
mullion



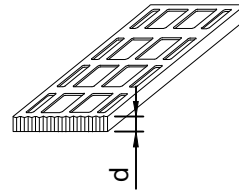
**EPDM gaskets**



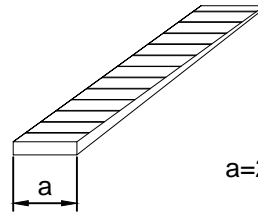
PAR-02



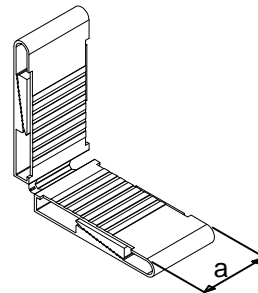
ALT-04



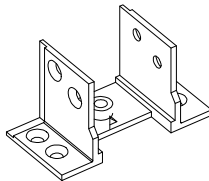
AP3220;AP3230;  
AP3240;AP3250;  
glazing spacer  
d=2mm;3mm;4mm;5mm;



AP3320;AP3324;  
AP3326;AP3330;AP3332;  
bridge  
a=20mm;24mm;26mm;30mm;32mm;

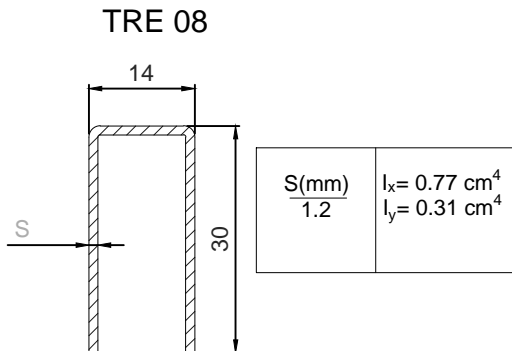


AP3170;AP3174;AP3172;  
angle  
a=18mm;24mm;32mm;

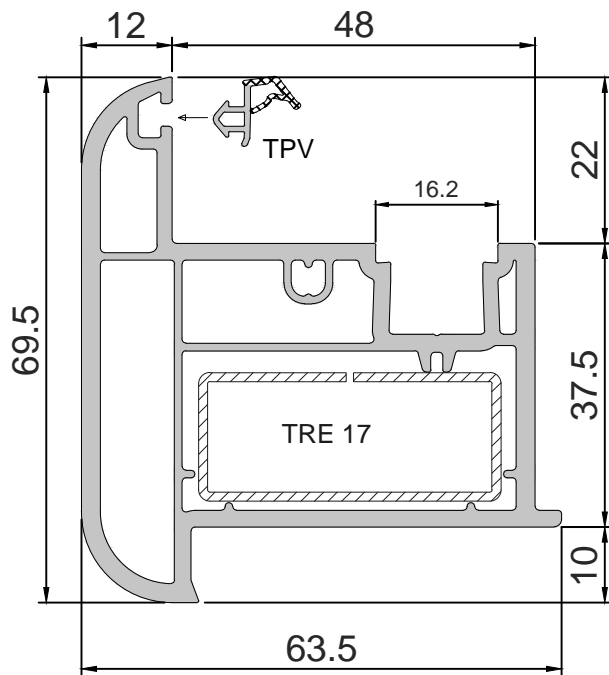


**KM241**  
mullion connector

**REINFORCEMENTS:**



**482.11**  
overhung



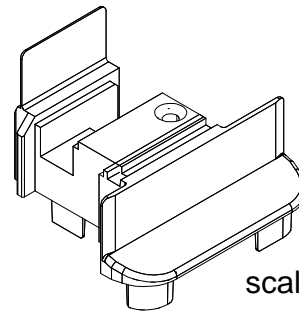
EPDM gaskets



PAR-02



ALT-04

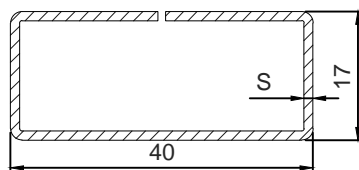


scale 1:2

**KM344**  
end cover cap

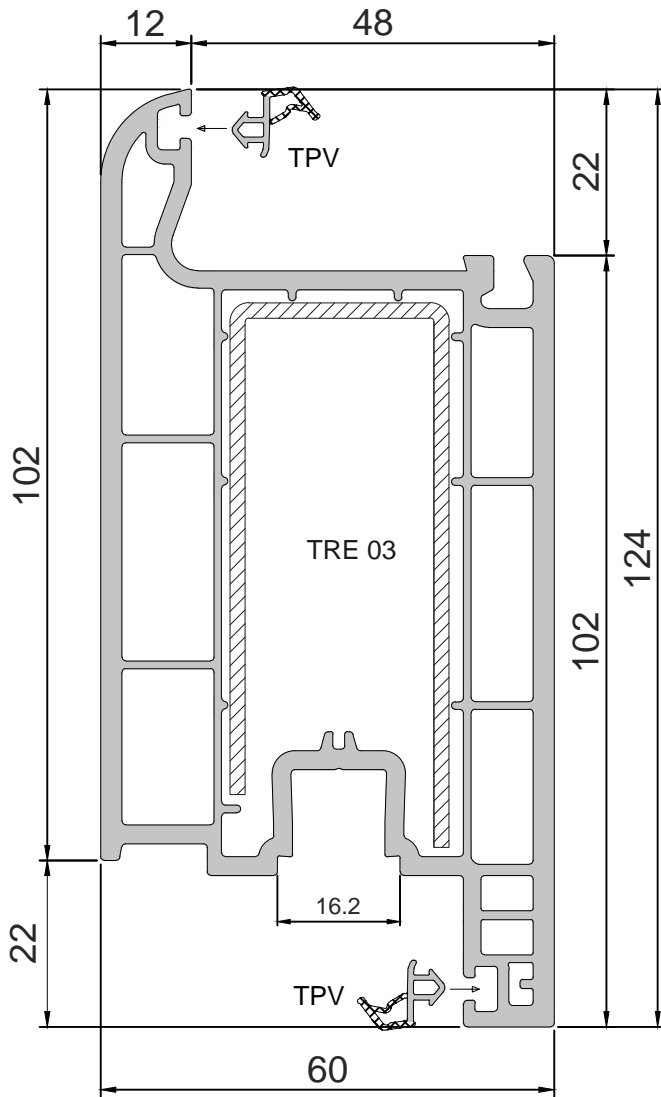
**REINFORCEMENTS:**

TRE 17



S(mm)	$I_x = 0.64 \text{ cm}^4$
1.2	$I_y = 2.53 \text{ cm}^4$
1.5	

**482.26**  
door sash



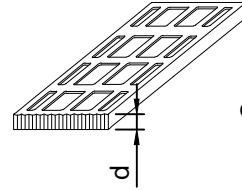
**EPDM gaskets**



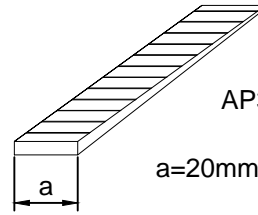
PAR-02



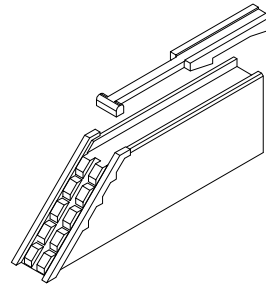
ALT-04



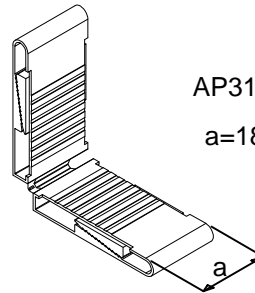
AP3220;AP3230;  
AP3240;AP3250;  
glazing spacer  
d=2mm;3mm;4mm;5mm;



AP3320;AP3324;  
AP3326;AP3330;AP3332;  
bridge  
a=20mm;24mm;26mm;30mm;32mm;



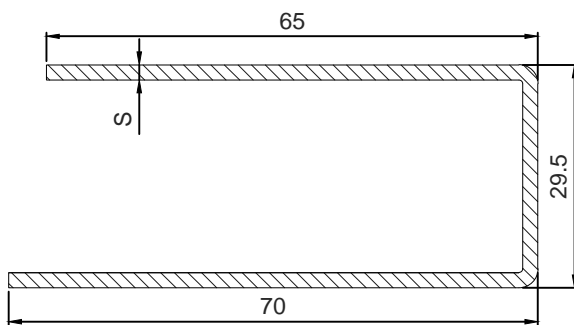
AP3174  
angle joint



AP3170;AP3174;AP3172;  
angle  
a=18mm;24mm;32mm;

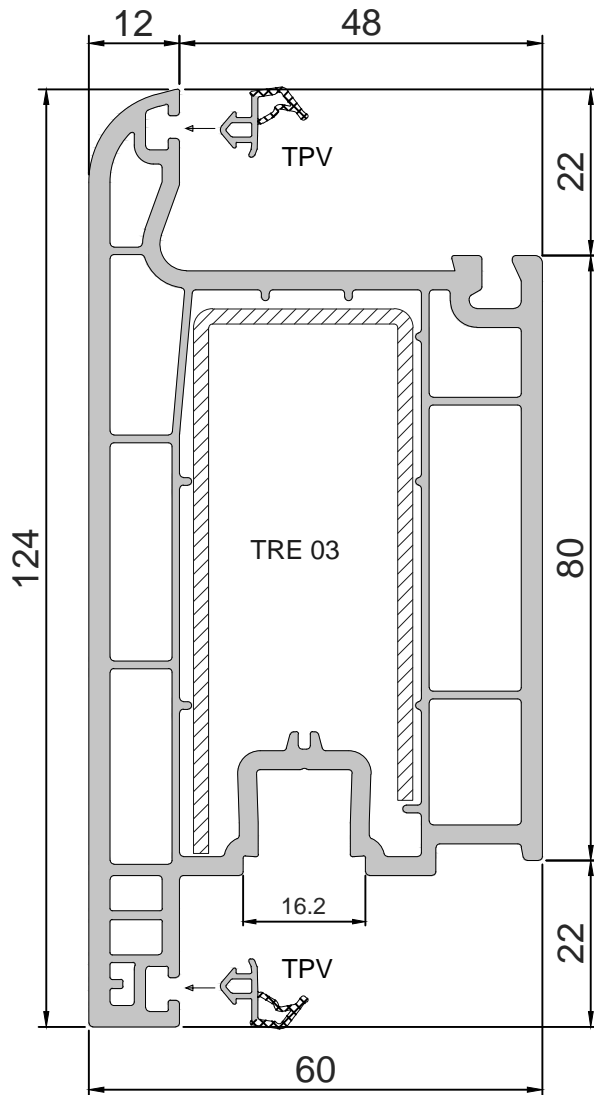
**REINFORCEMENTS:**

TRE 03



S(mm)	$I_x = 5.30 \text{ cm}^4$
2.0	$I_y = 14.78 \text{ cm}^4$

**482.27**  
door sash



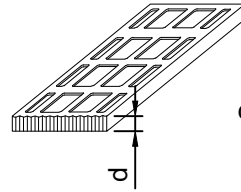
**EPDM gaskets**



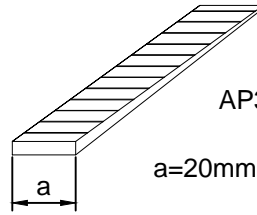
PAR-02



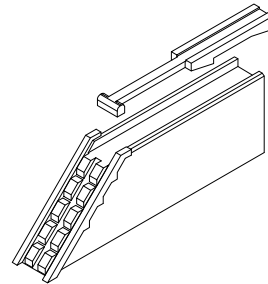
ALT-04



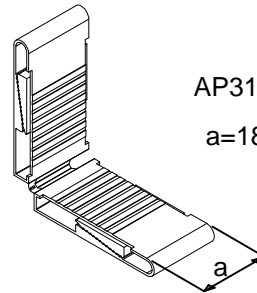
AP3220;AP3230;  
AP3240;AP3250;  
glazing spacer  
d=2mm;3mm;4mm;5mm;



AP3320;AP3324;  
AP3326;AP3330;AP3332;  
bridge  
a=20mm;24mm;26mm;30mm;32mm;



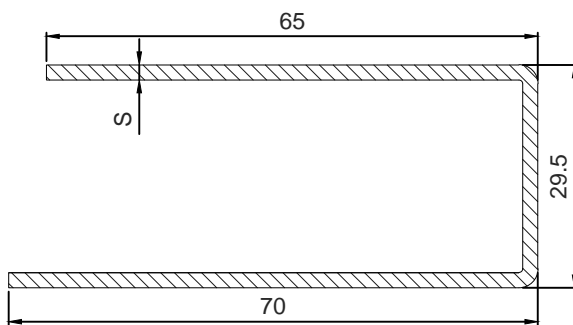
AP3174  
angle joint



AP3170;AP3174;AP3172;  
angle  
a=18mm;24mm;32mm;

**REINFORCEMENTS:**

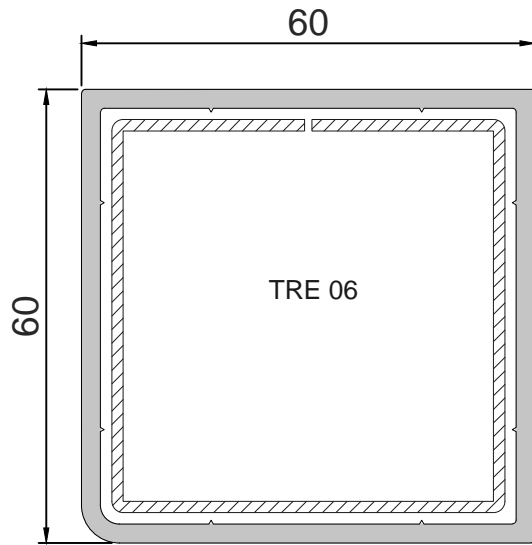
TRE 03



S(mm)	$I_x = 5.30 \text{ cm}^4$
2.0	$I_y = 14.78 \text{ cm}^4$

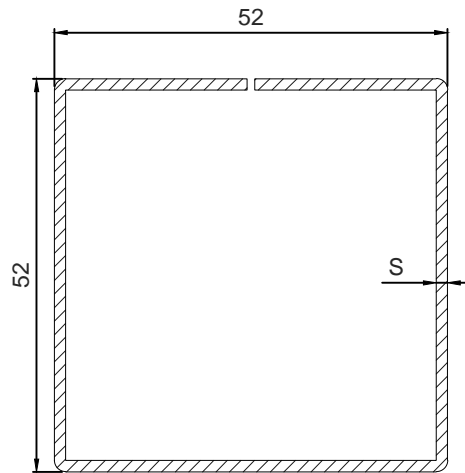
### 04.841

column for 90 ° angle



### REINFORCEMENTS:

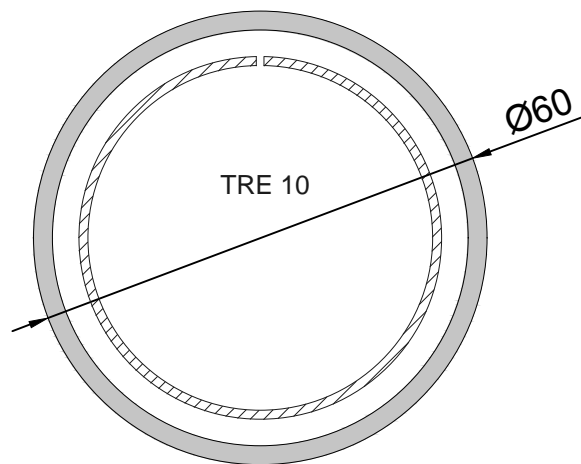
TRE 06



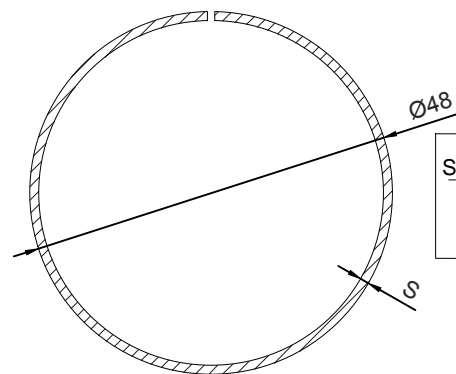
S(mm)	$I_x=12.67 \text{ cm}^4$
1.5	$I_y= 12.76 \text{ cm}^4$

### 04.840

pipe



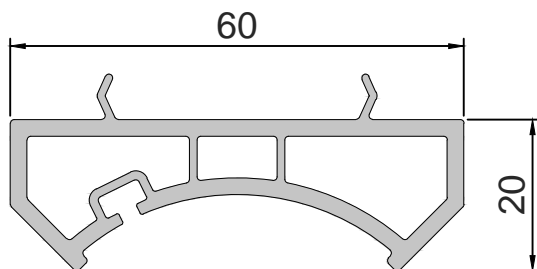
TRE 10



S(mm)	$I_x=4.77 \text{ cm}^4$
1.2	$I_y= 4.83 \text{ cm}^4$

### 04.842

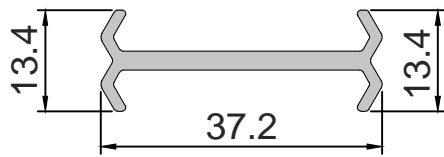
addition for pipe





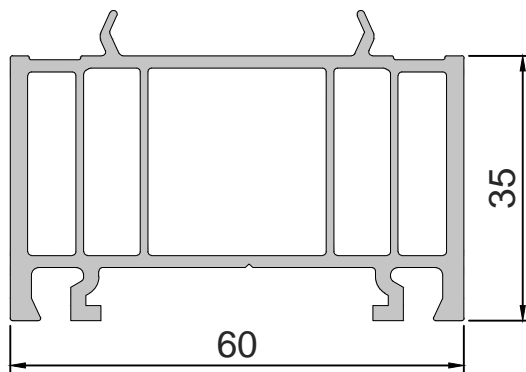
## 549.18

coupling profile



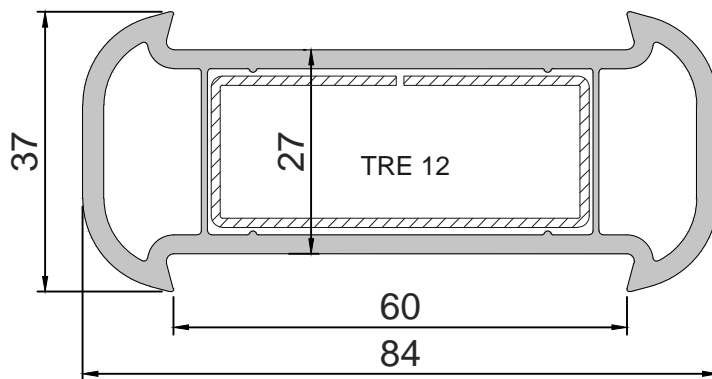
## 482.12

frame extension

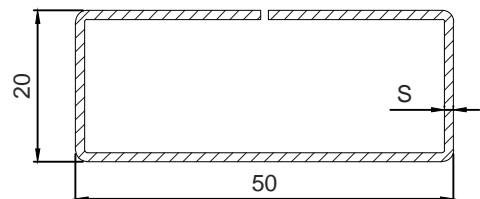


## 482.13

large coupling profile



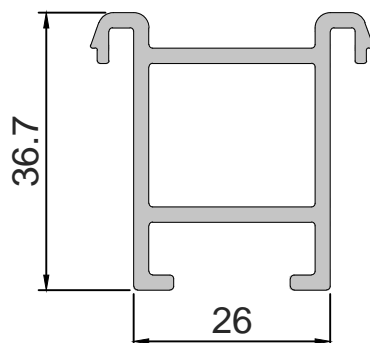
REINFORCEMENTS:  
TRE 12



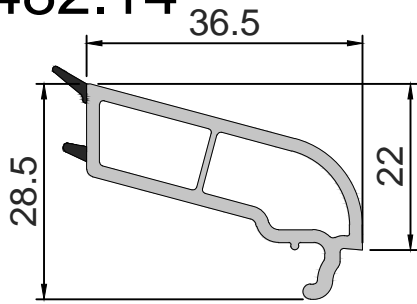
S(mm)	$I_x=1.14 \text{ cm}^4$ $I_y=4.90 \text{ cm}^4$
1.2	
1.5	

## 549.09

lift profile

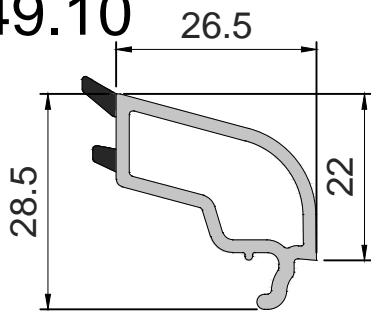


482.14



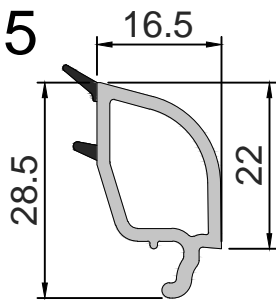
glass bead 4mm

549.10



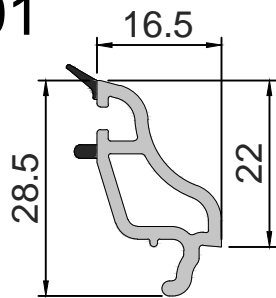
glass bead 14mm

482.15



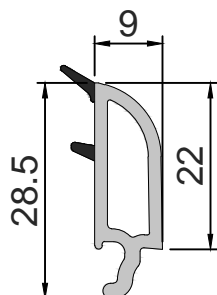
glass bead 24mm

482.01



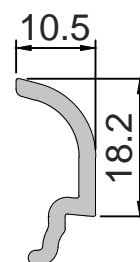
glass bead 24mm

482.22



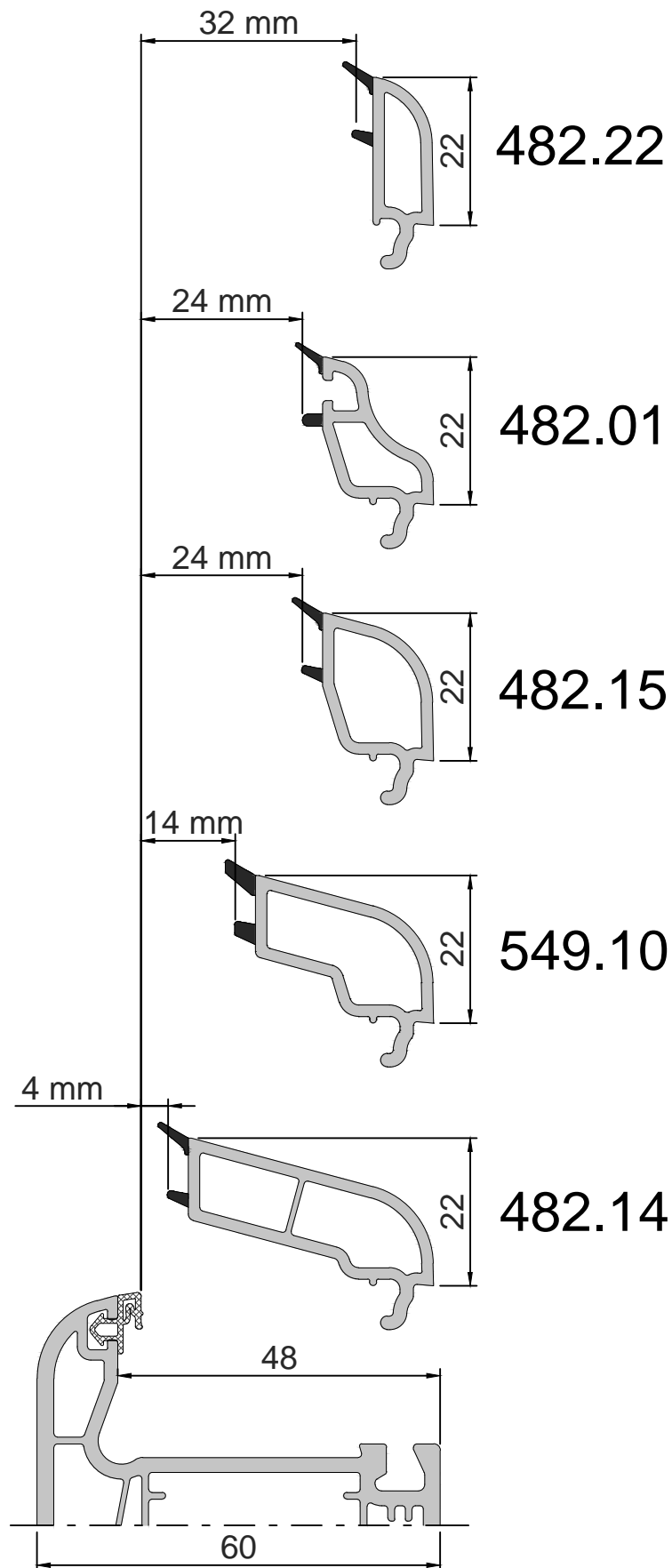
glass bead 32mm

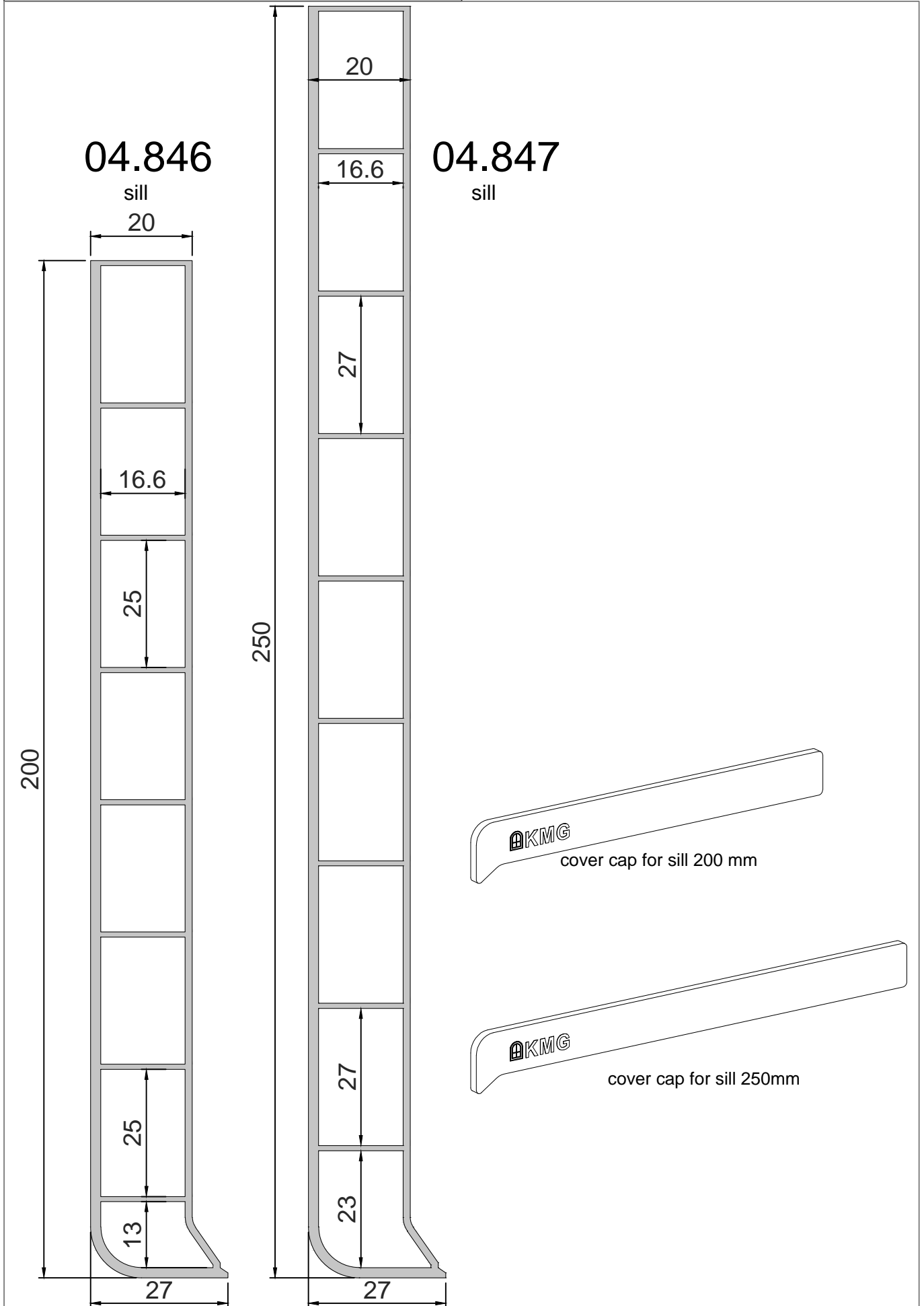
549.13



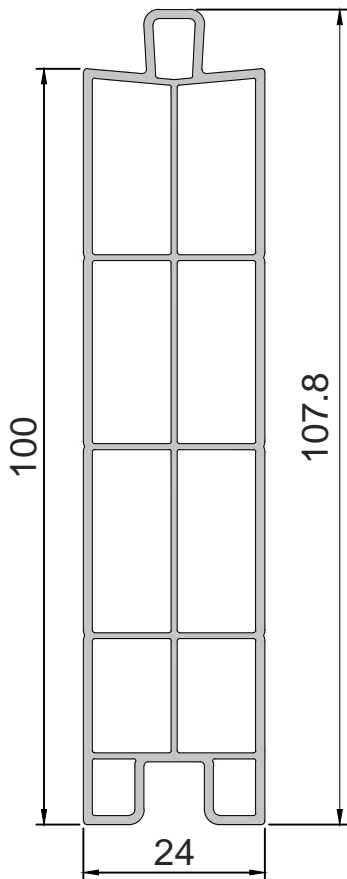
compensator

Thickness of the glass

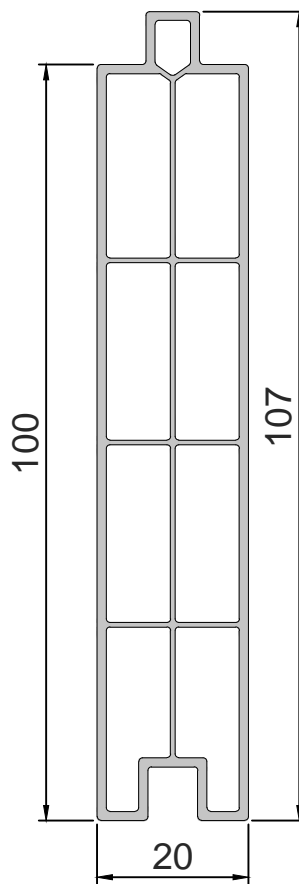




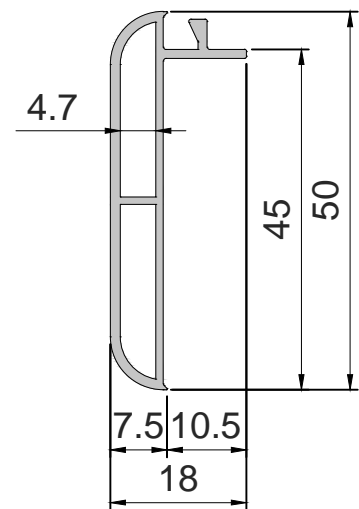
**04.843**  
PVC panel



**04.844**  
PVC panel

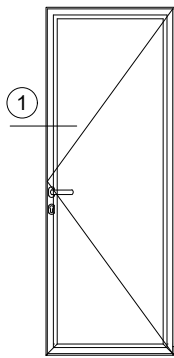
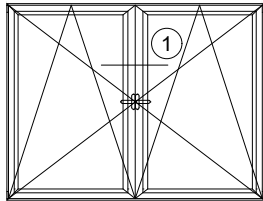
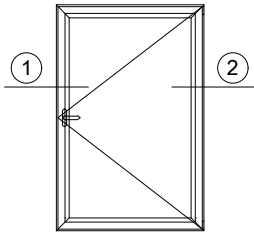


**04.860**  
PVC panel

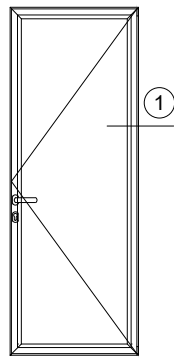


*PRELUDE* /series 60mm/  
sectional drawings

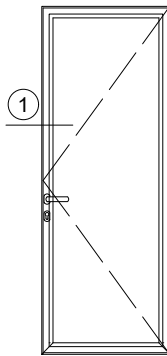
*PRELUDE* /series 60mm/:  
types of sections



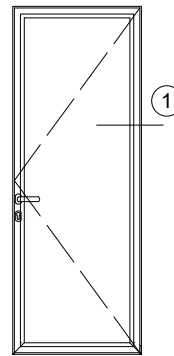
Interior opening



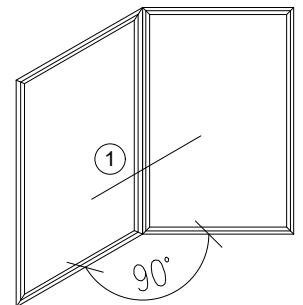
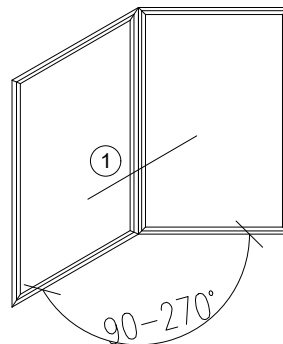
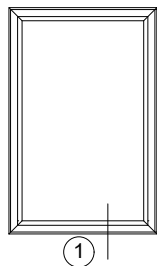
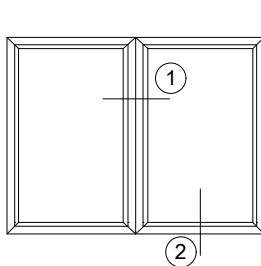
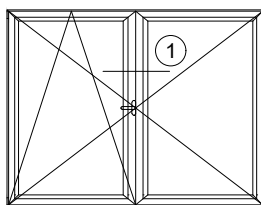
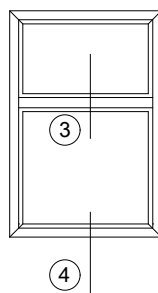
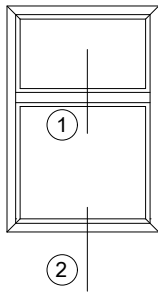
Interior opening

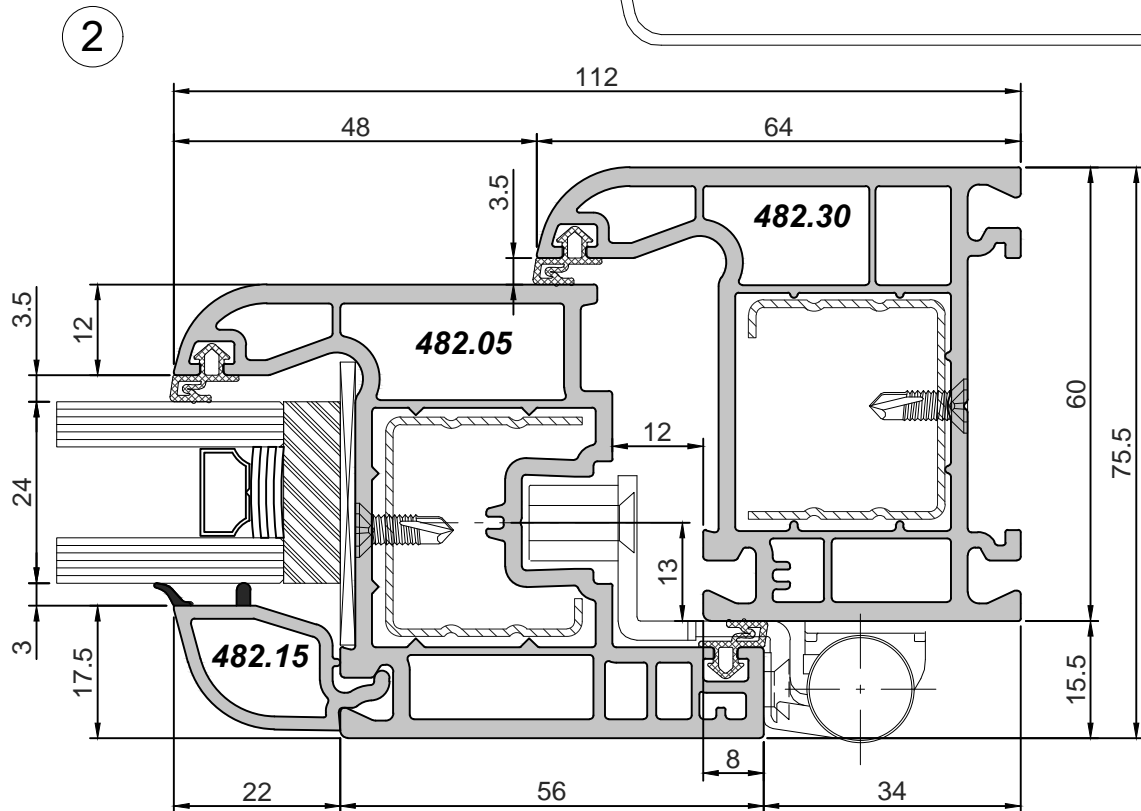
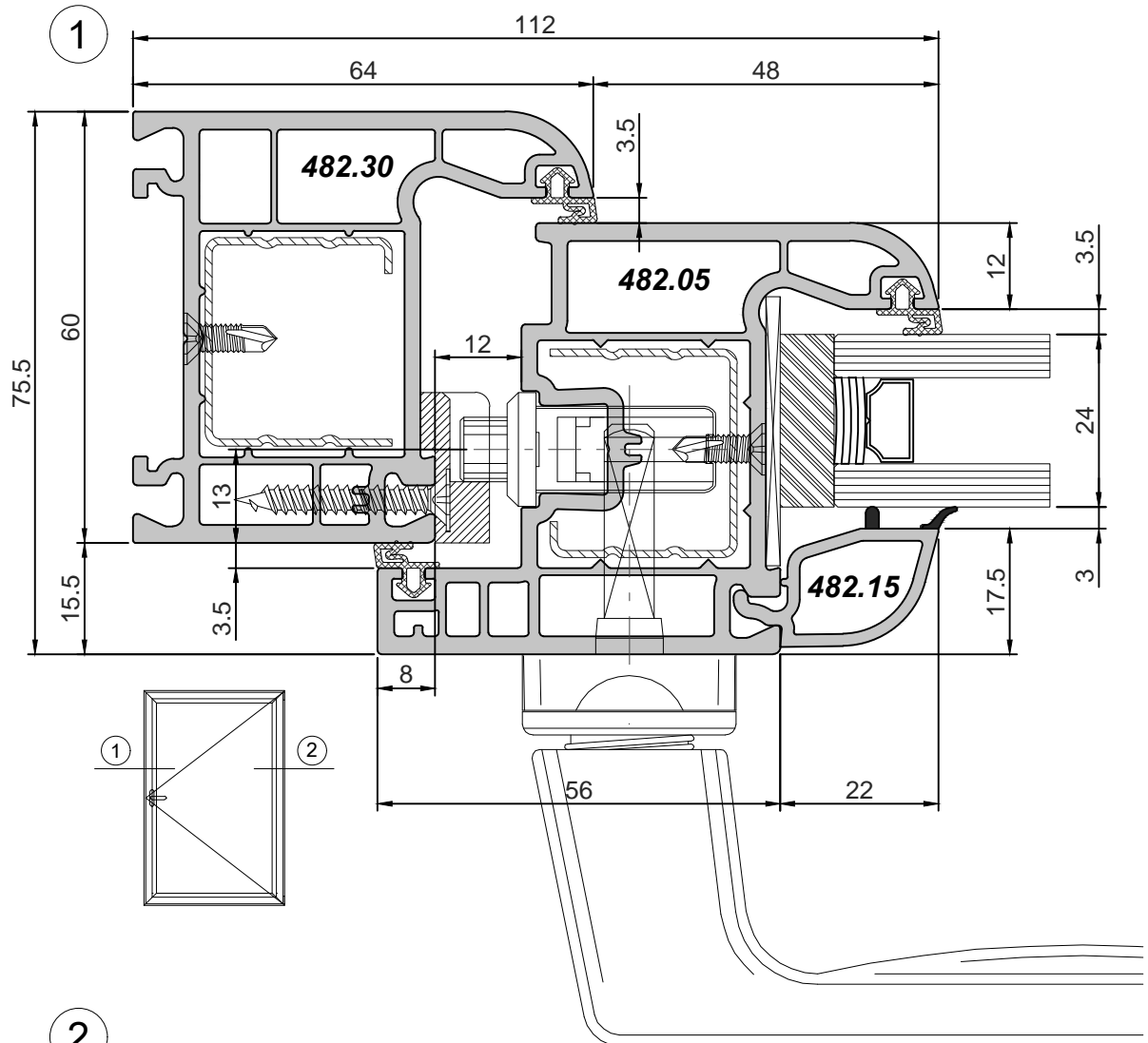


Exterior opening



Exterior opening

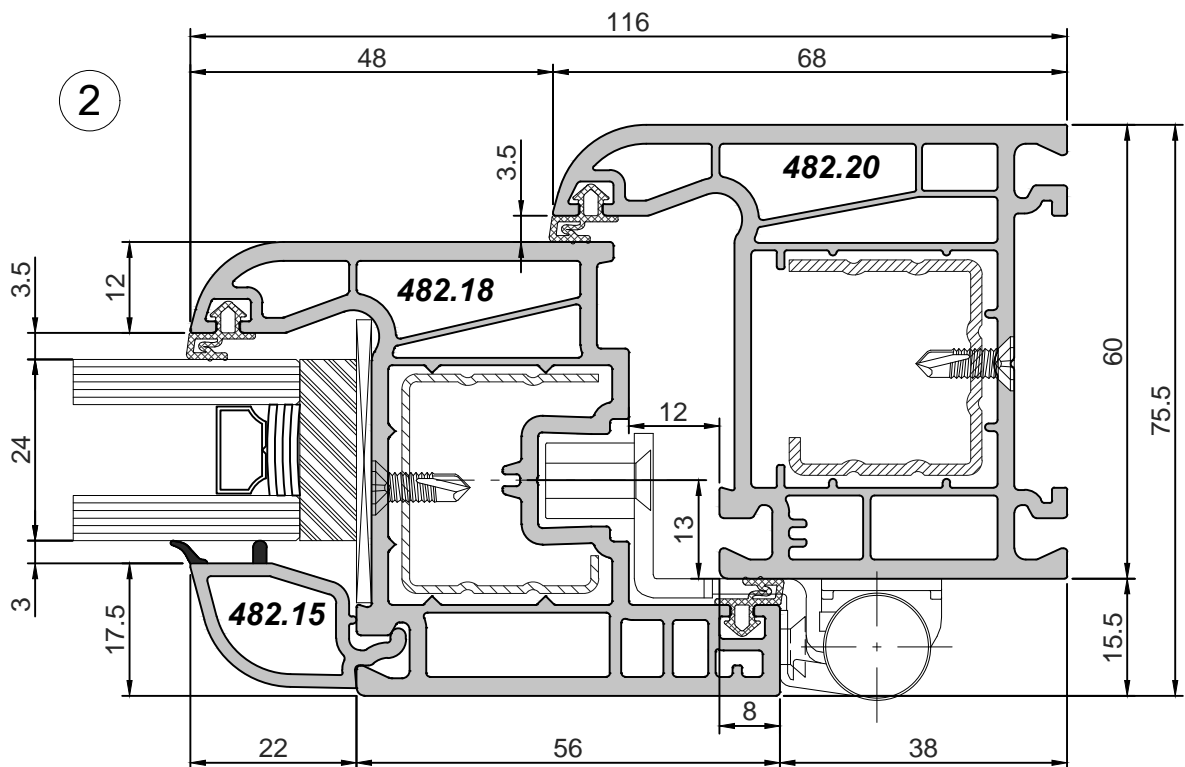
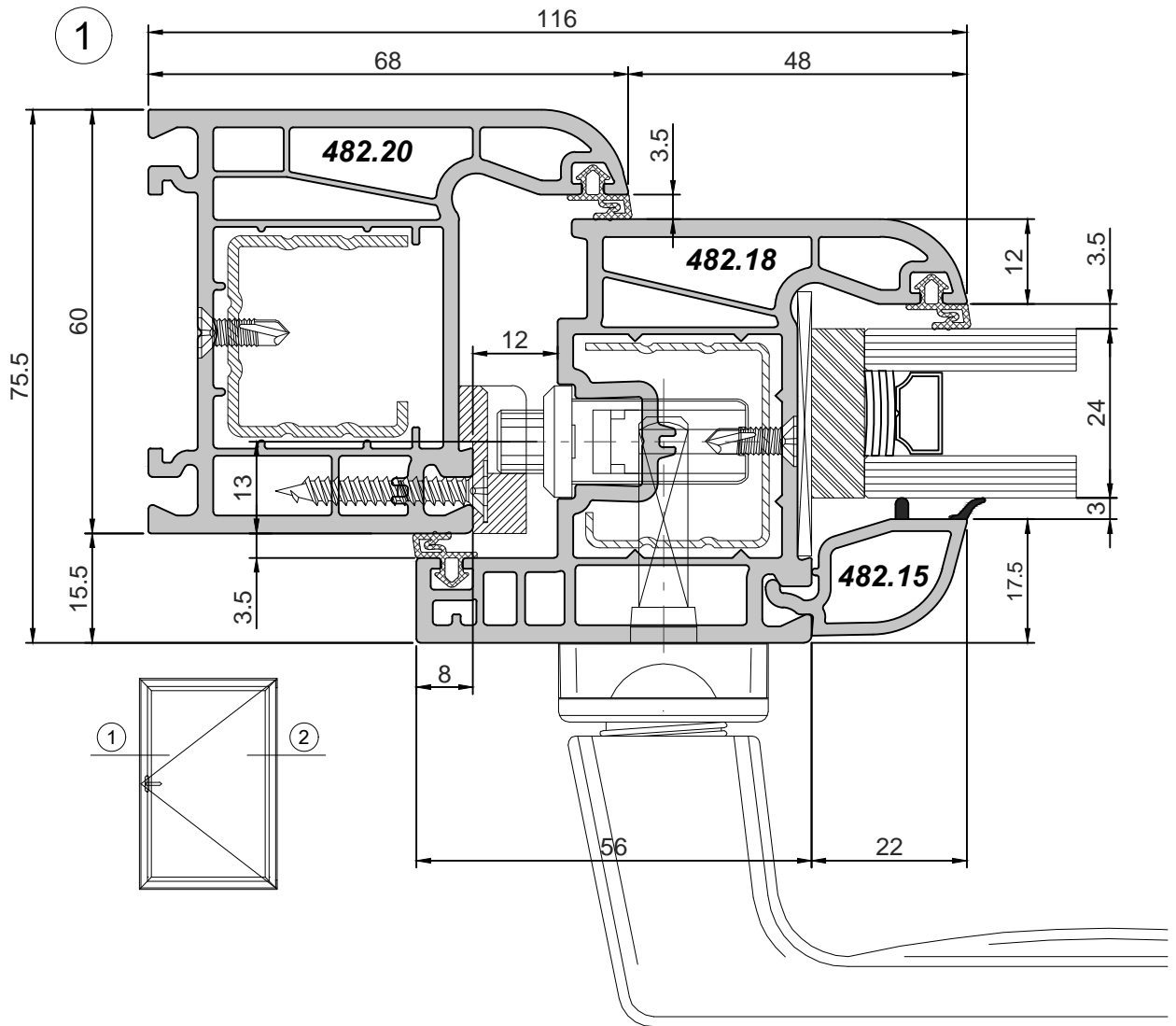


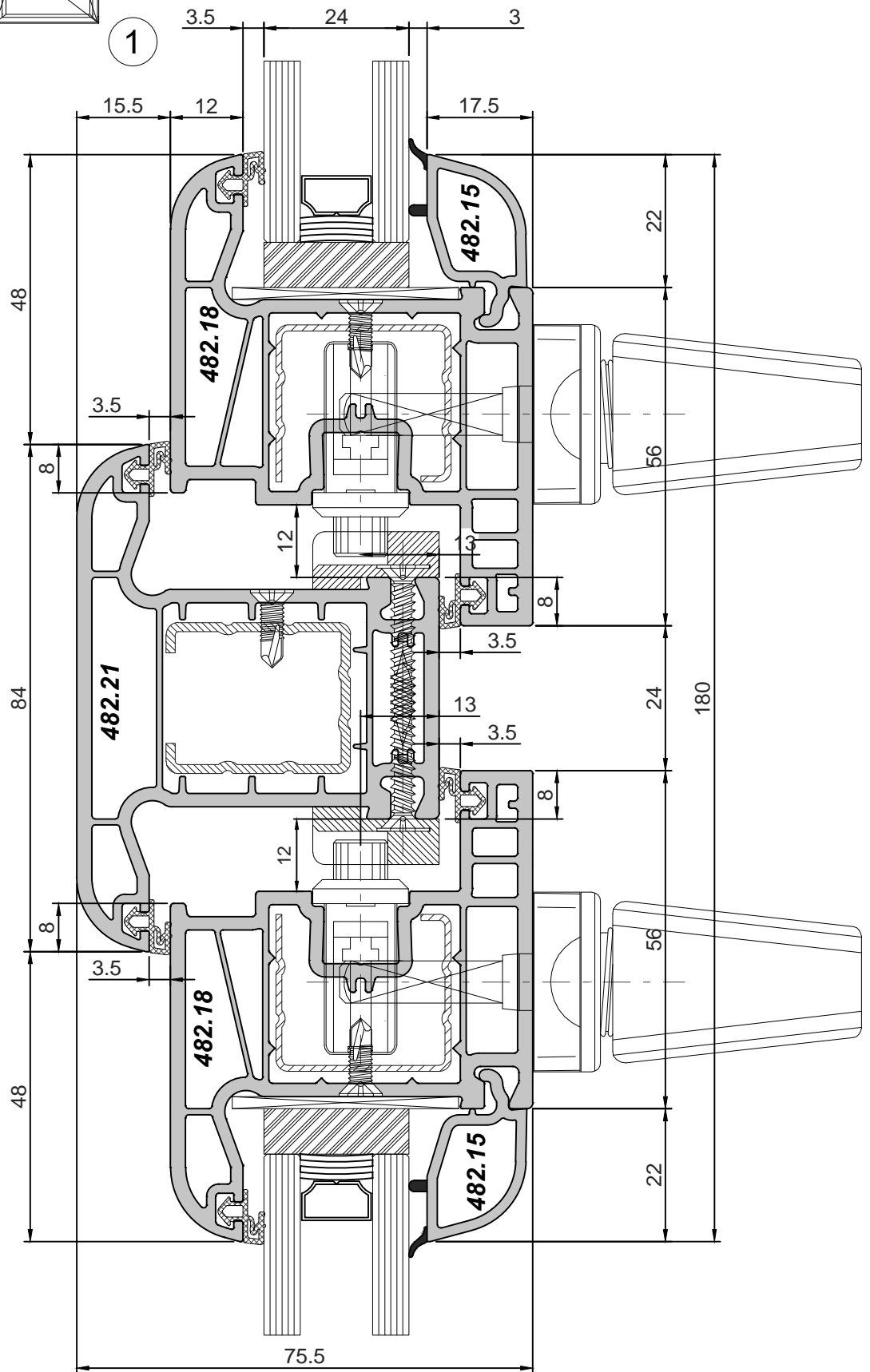
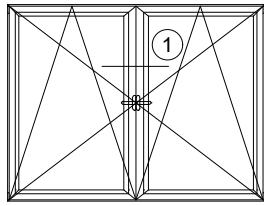




*PRELUDE* /series 60mm/  
sectional drawings

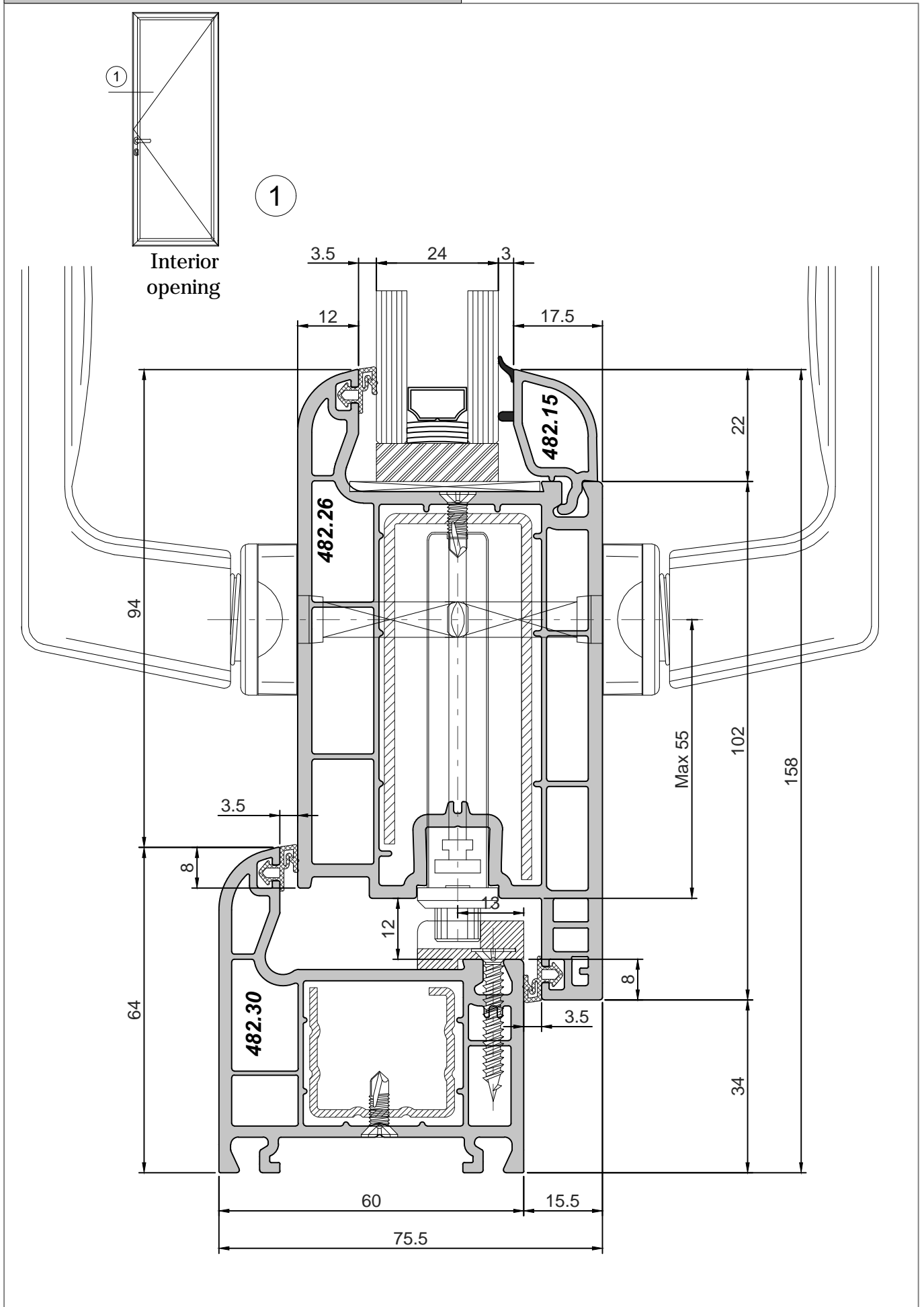
scale 1:1





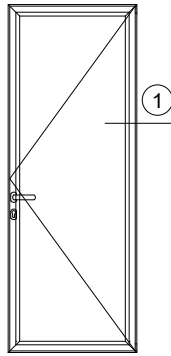
*PRELUDE* /series 60mm/:  
sectional drawings

scale 1:1

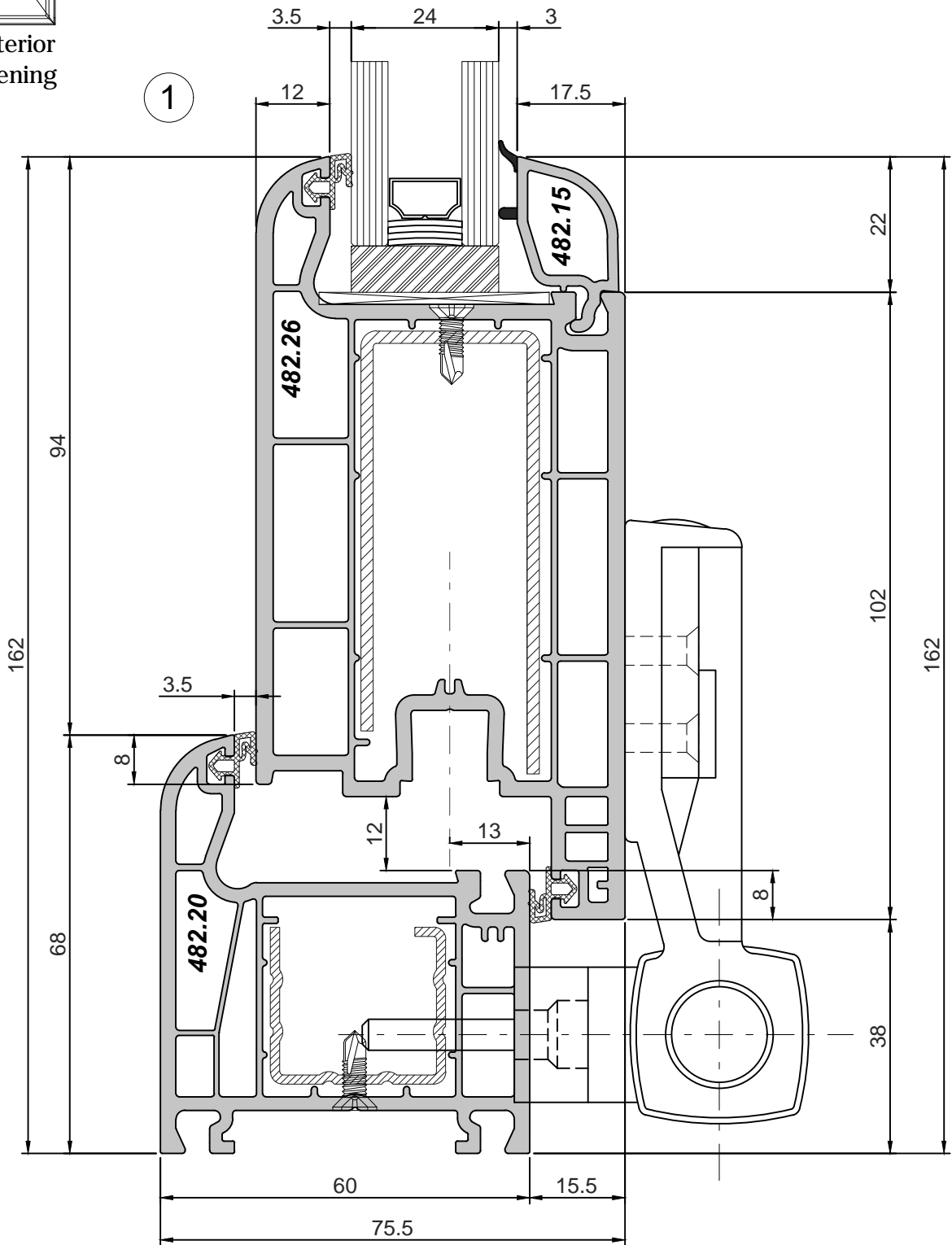


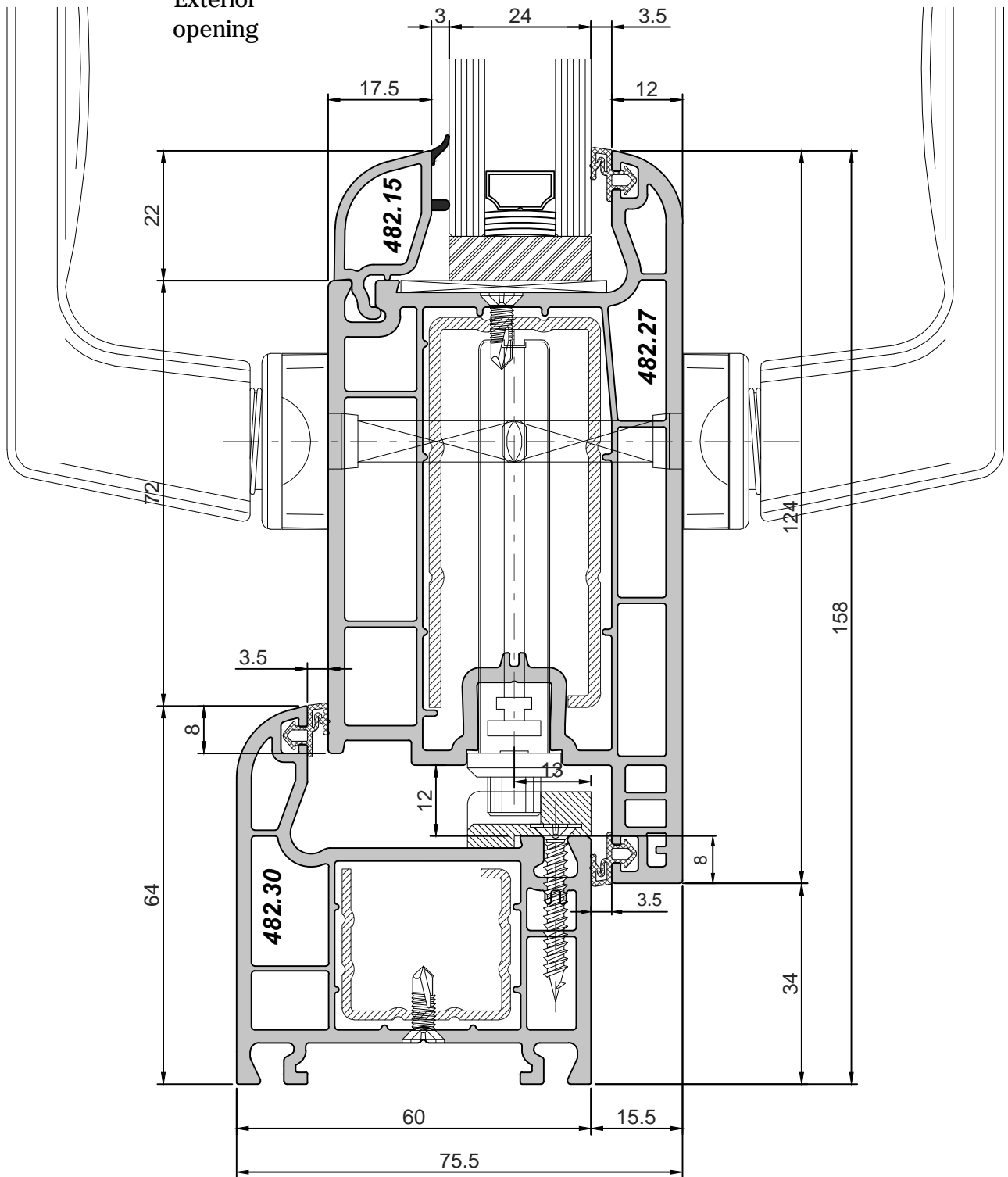
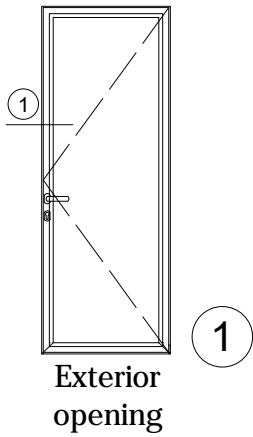
*PRELUDE* /series 60mm/:  
sectional drawings

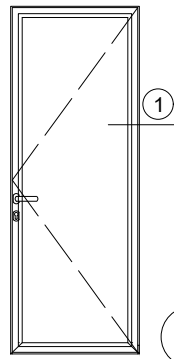
scale 1:1



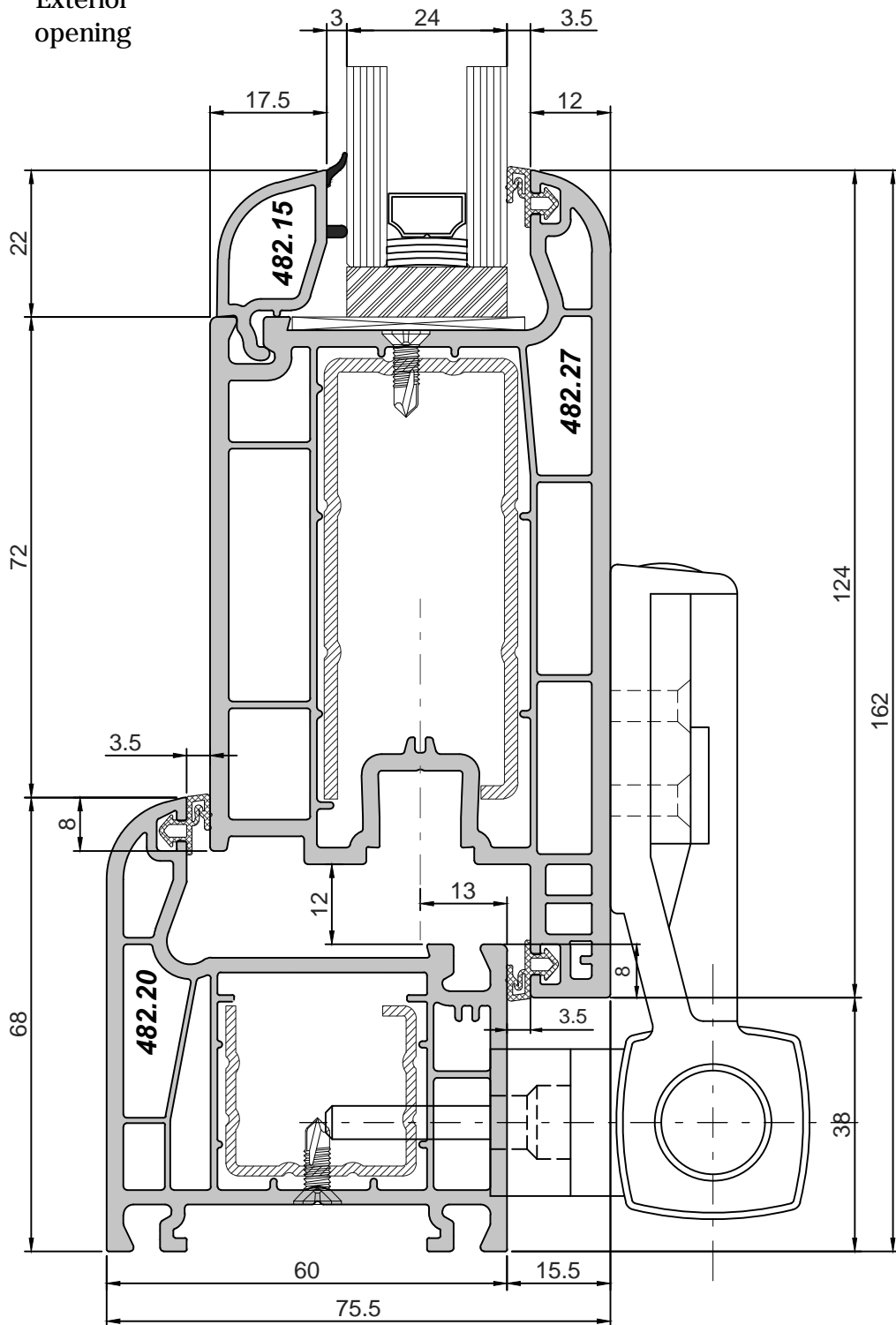
Interior  
opening





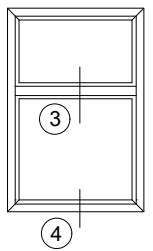
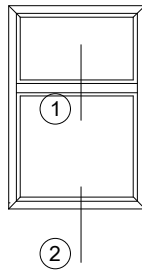
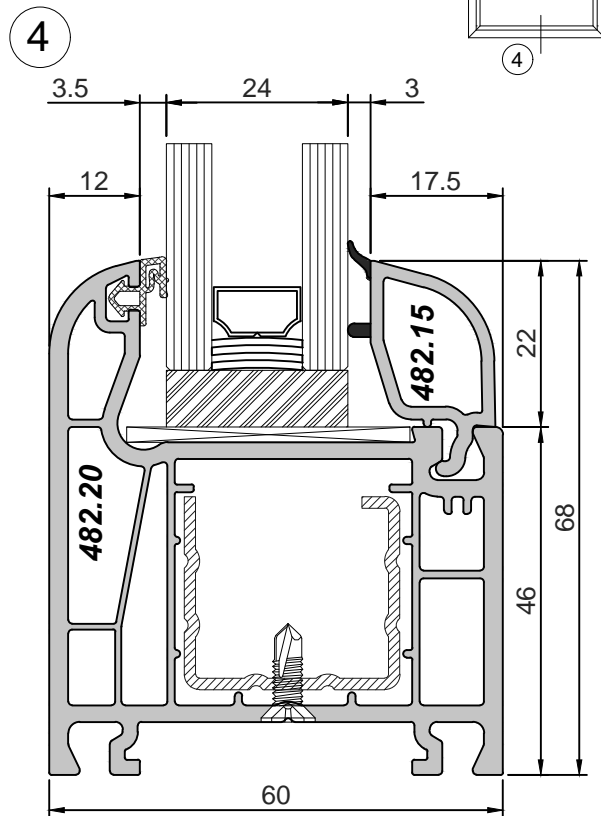
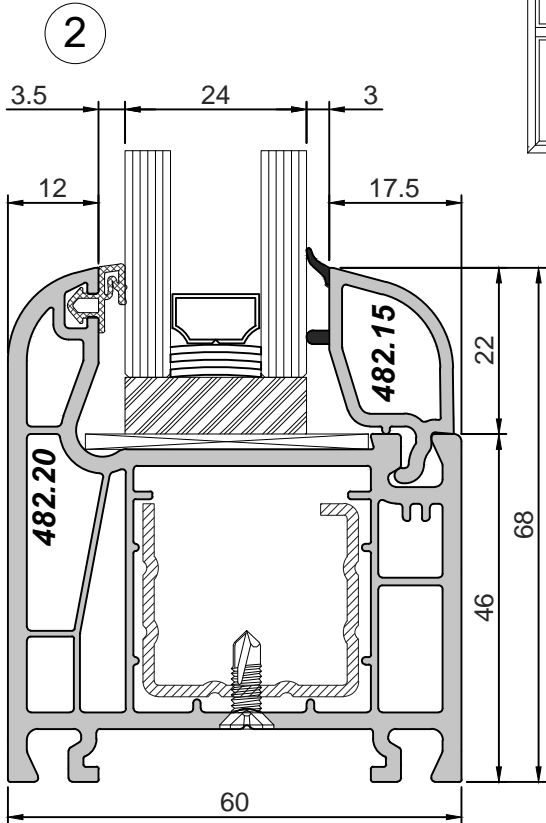
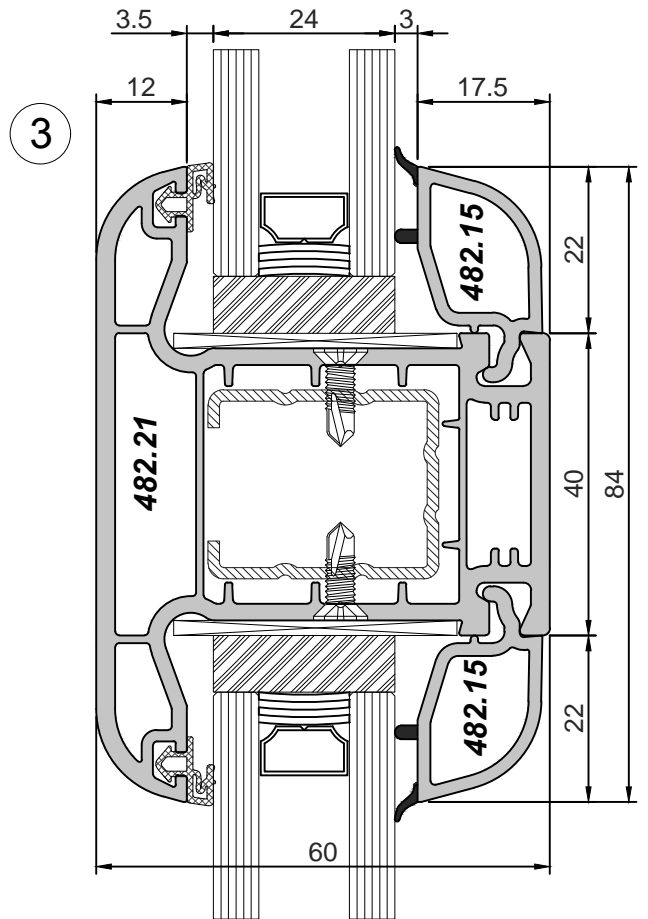
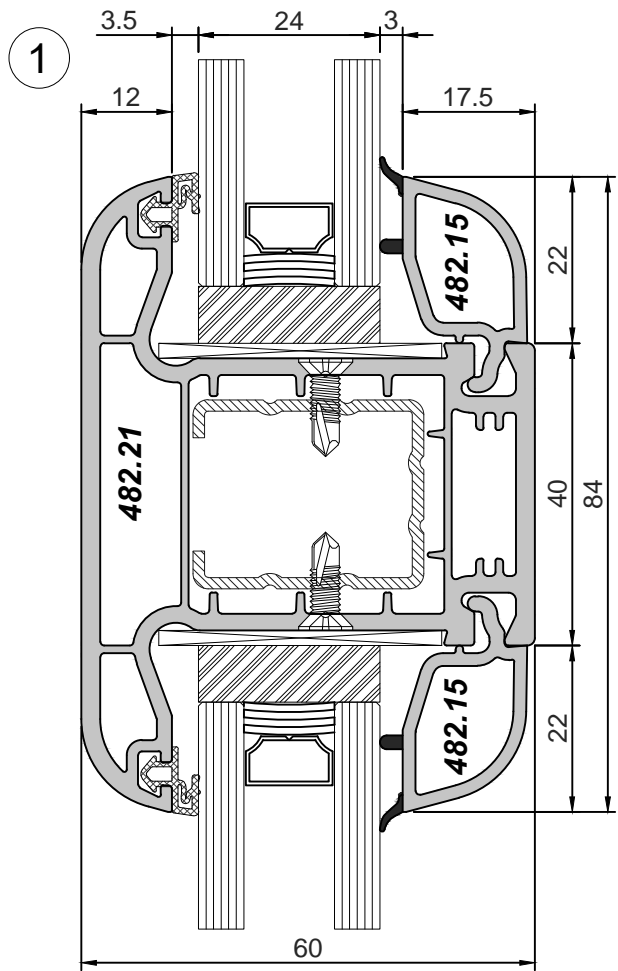


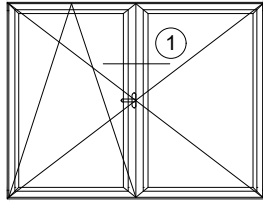
Exterior opening



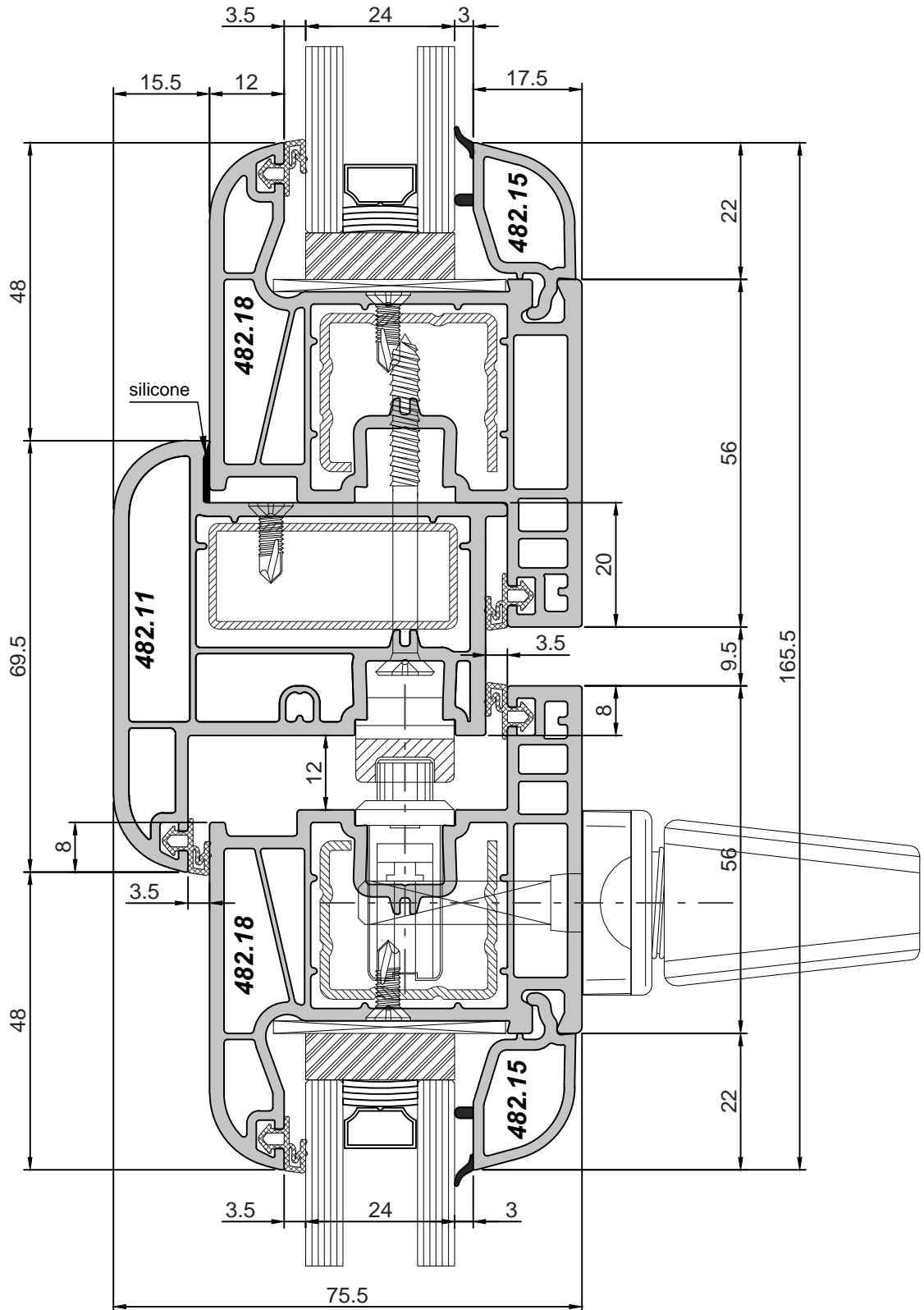
*PRELUDE* /series 60mm/:  
sectional drawings

scale 1:1





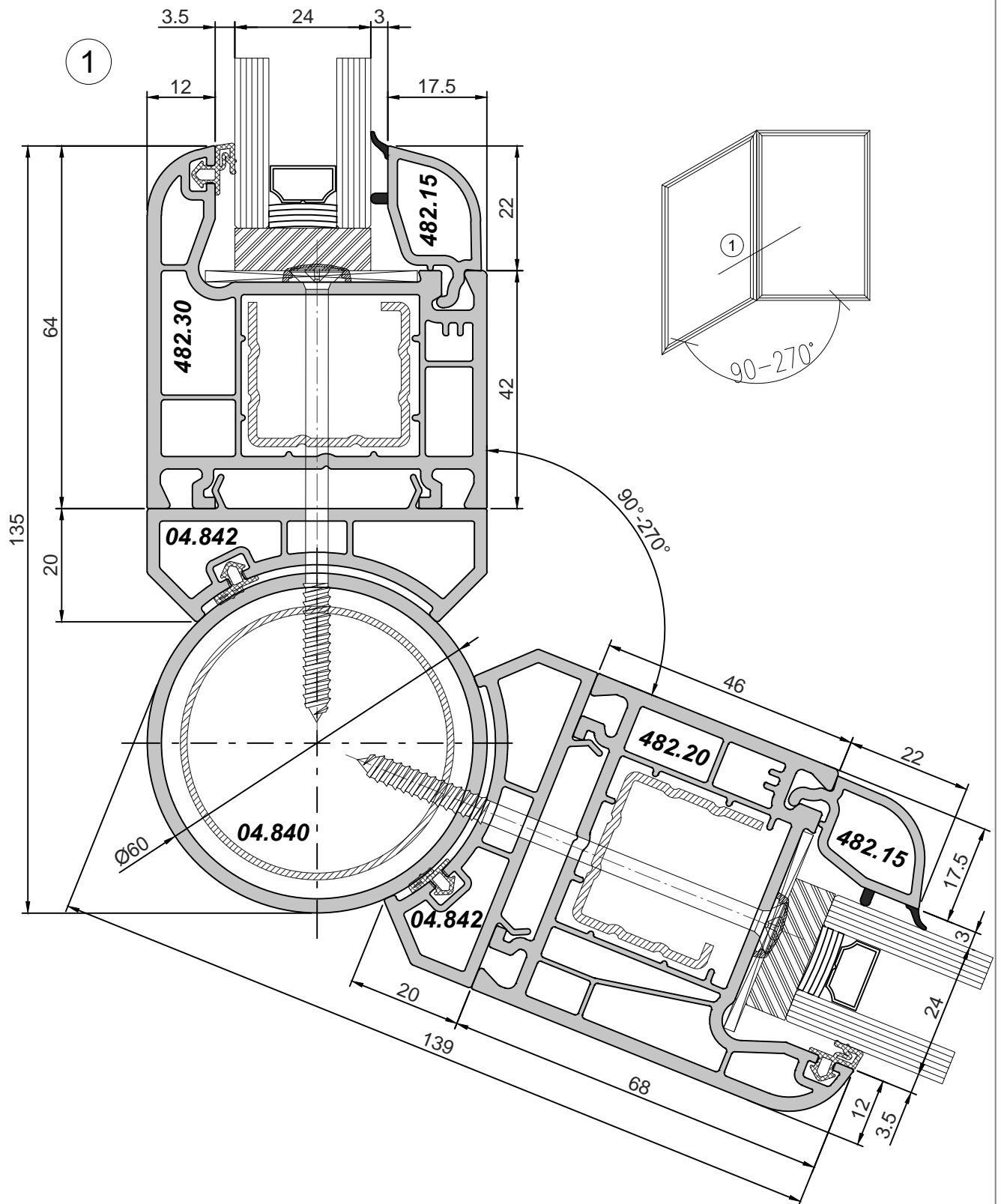
1





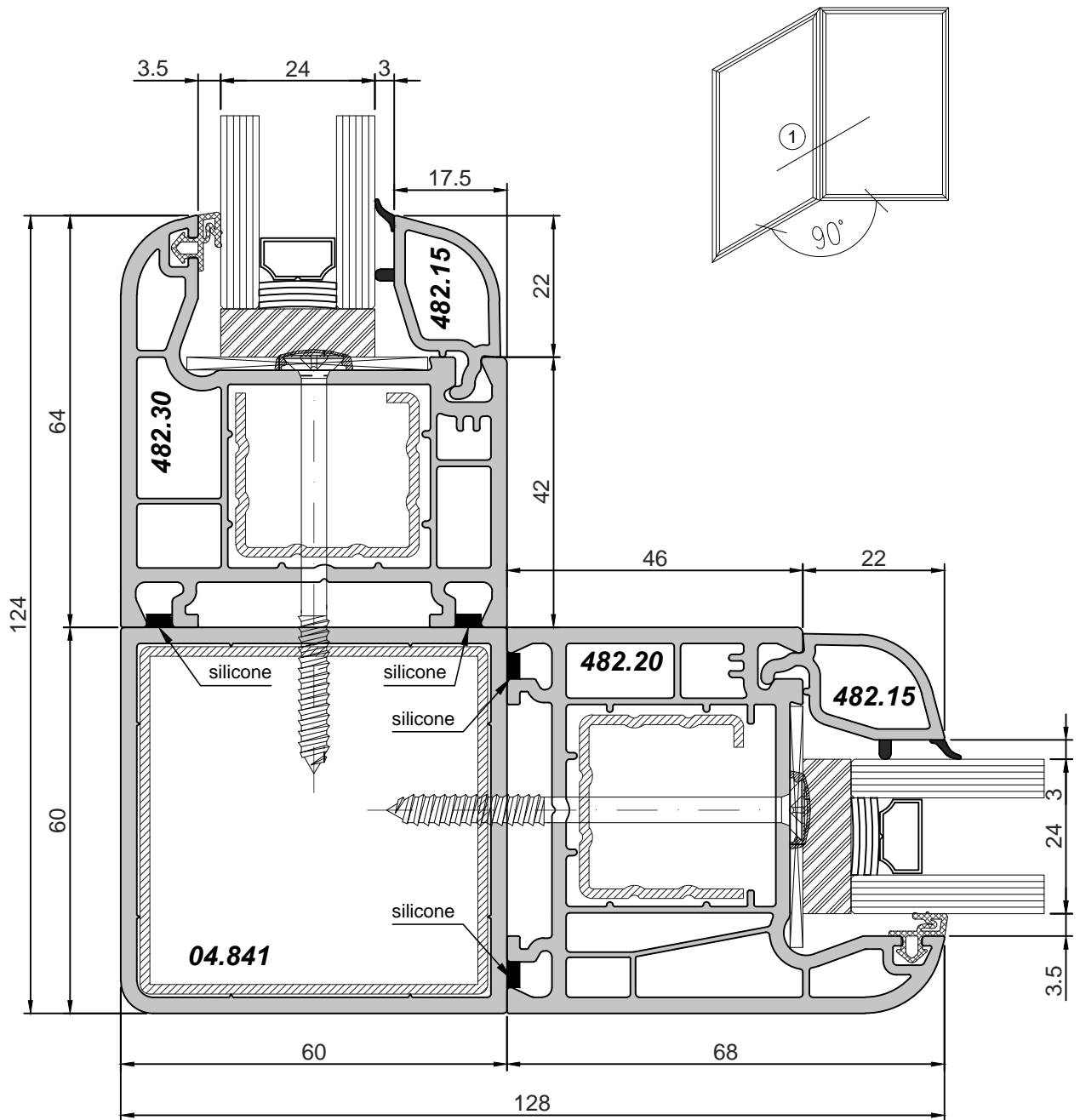
*PRELUDE* /series 60mm/:  
sectional drawings

scale 1:1



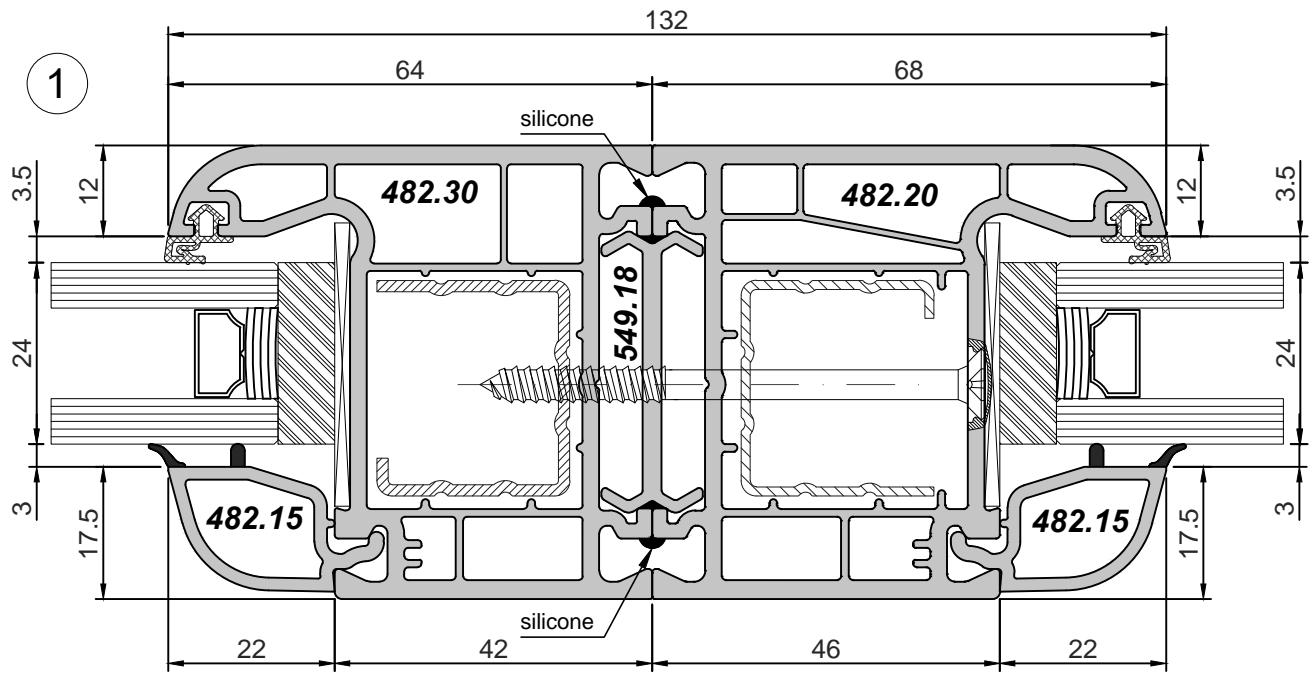
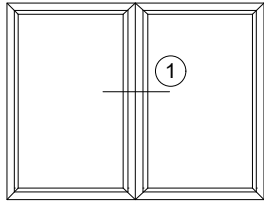
*PRELUDE* /series 60mm/:  
sectional drawings

scale 1:1



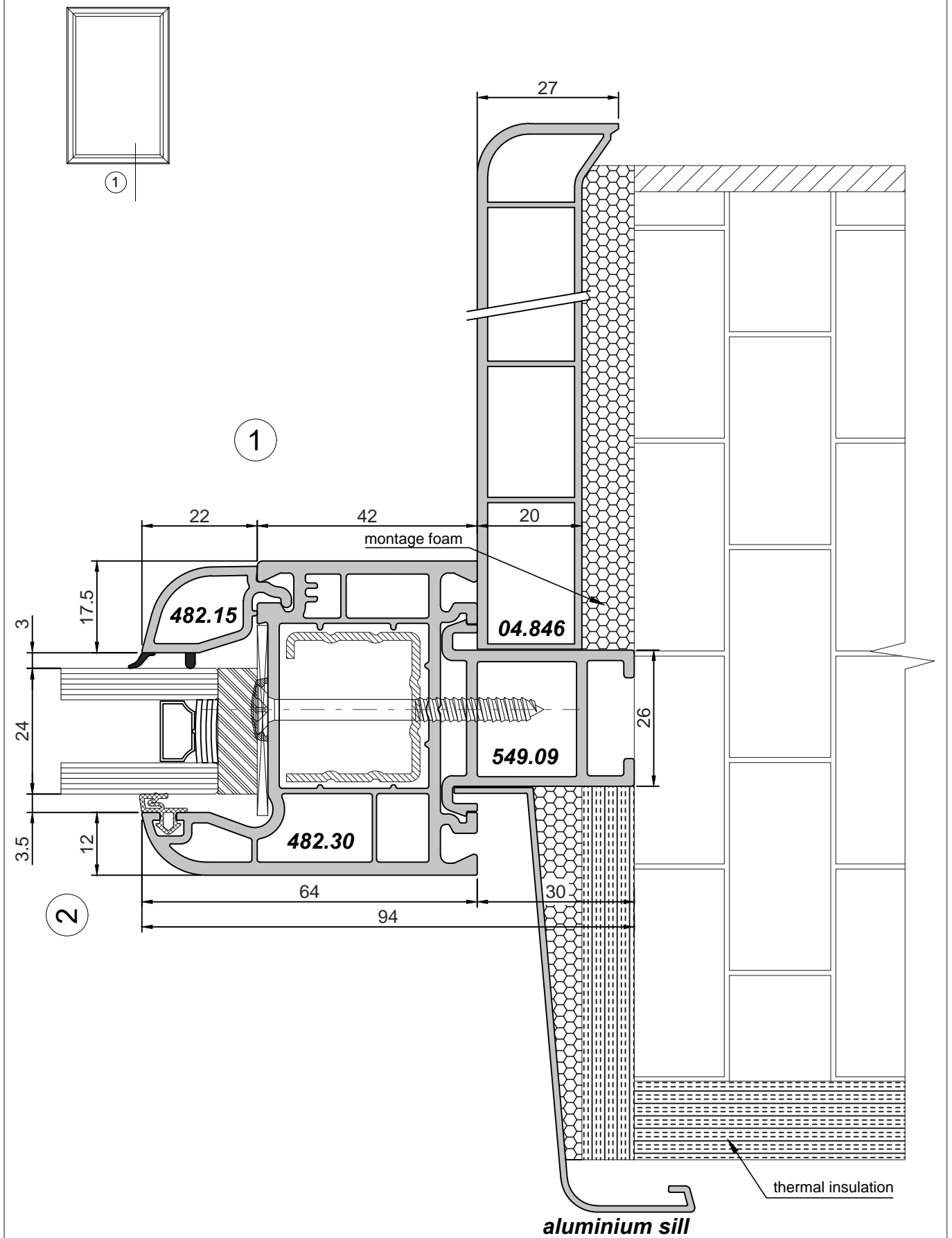
*PRELUDE* /series 60mm/:  
sectional drawings

scale 1:1



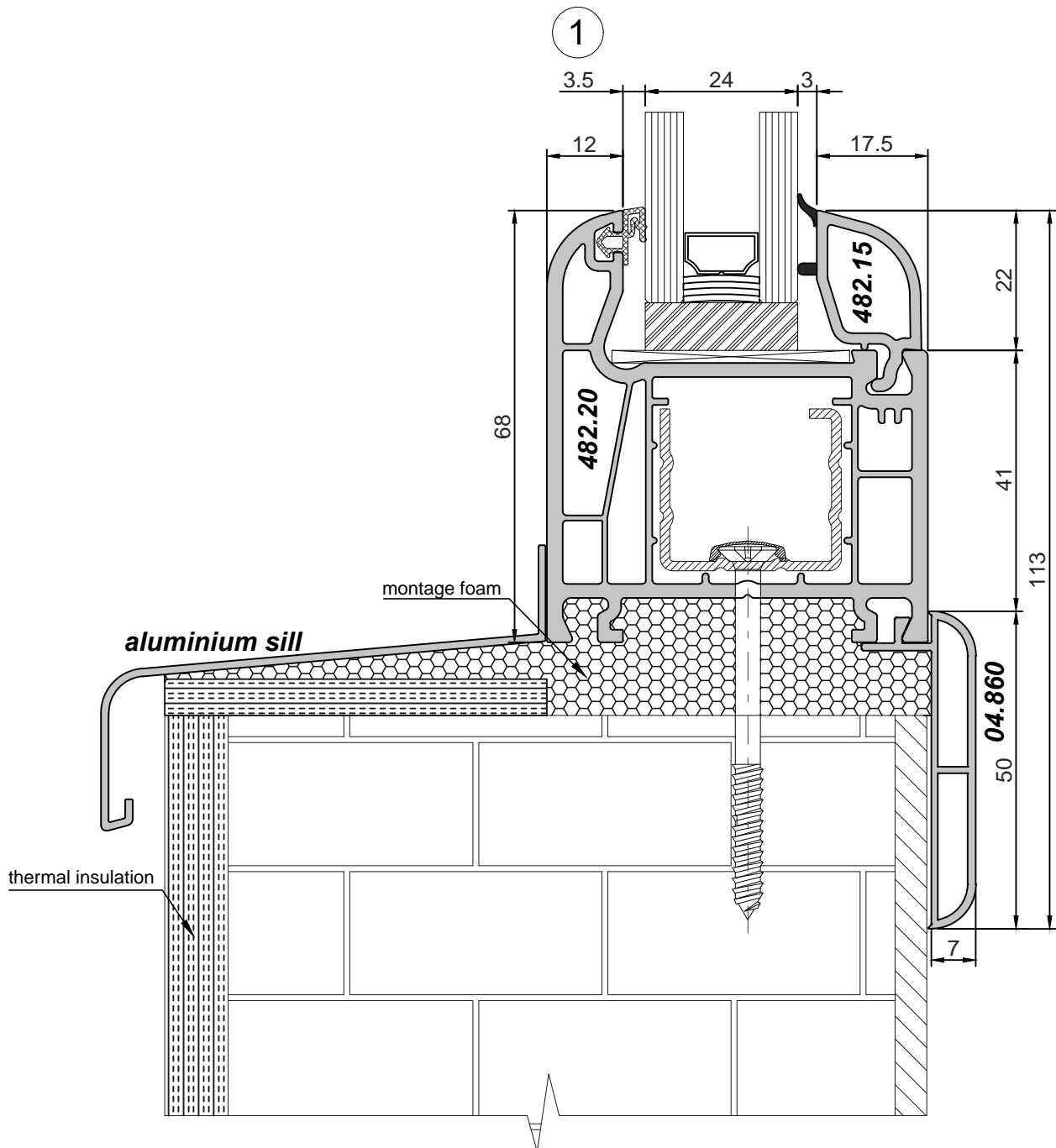
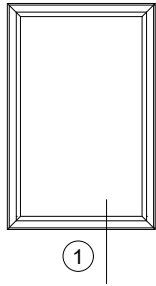
*PRESTIGE* /series 70mm/:  
sectional drawings

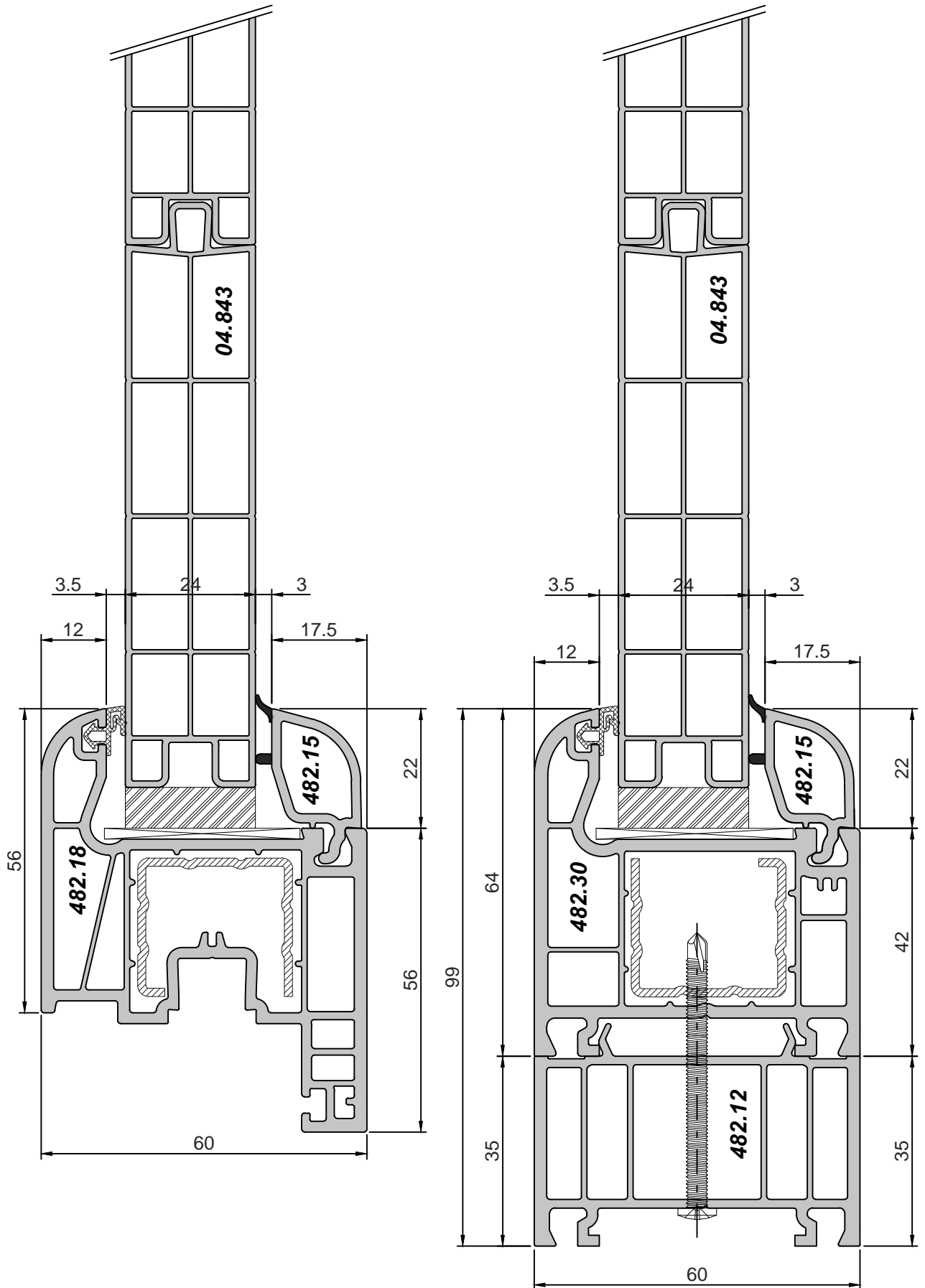
scale 1:1



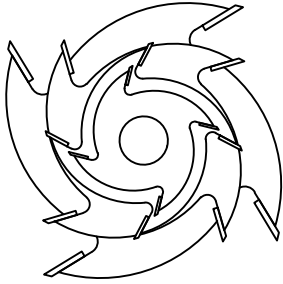
*PRELUDE* /series 60mm/:  
sectional drawings

scale 1:1



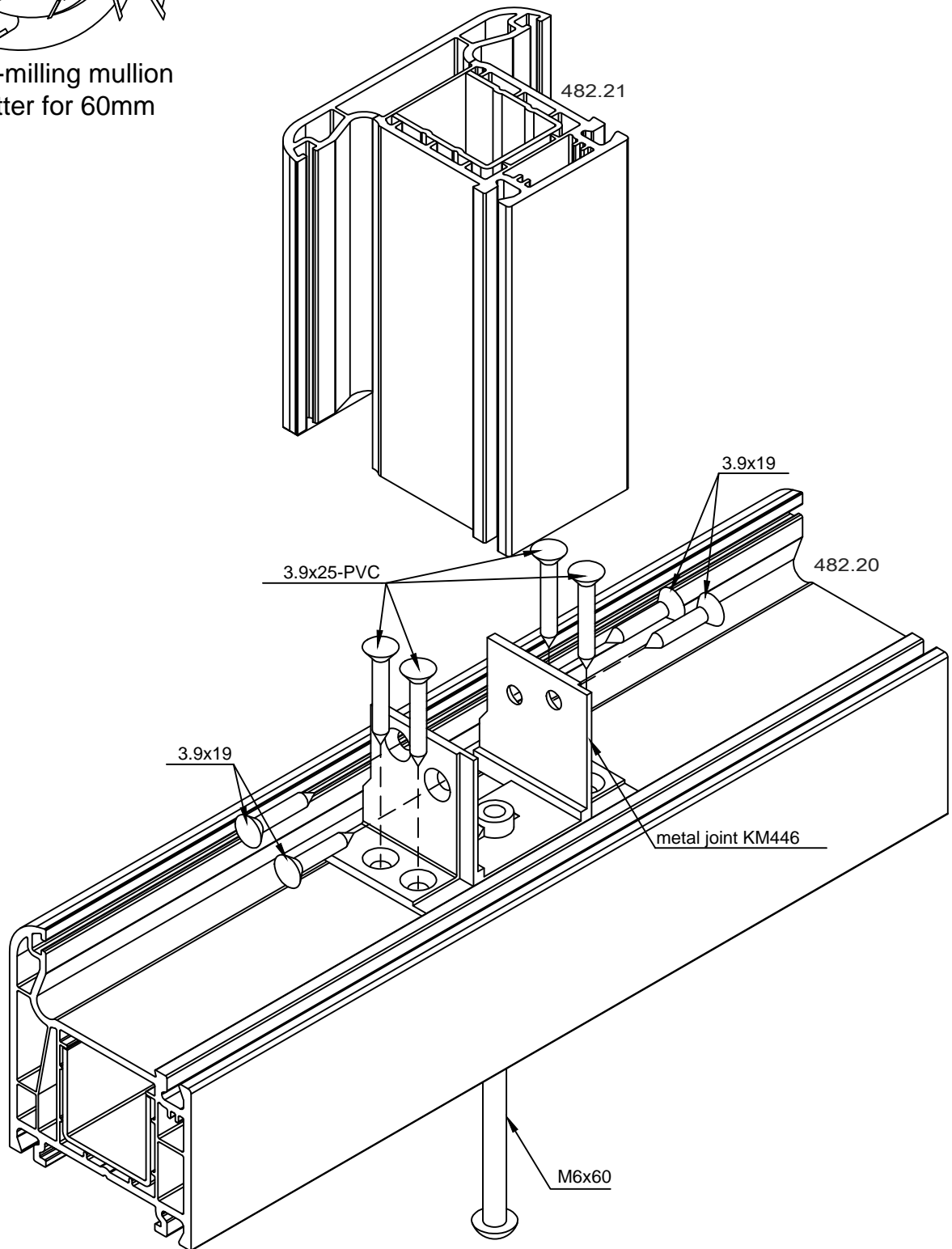


KM232



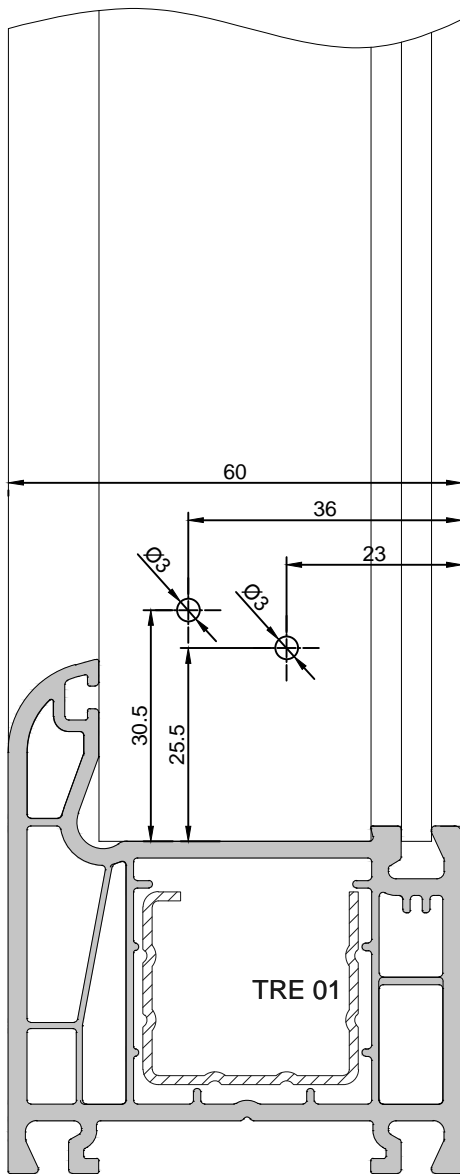
End-milling mullion  
cutter for 60mm

Scheme mullion - frame 60mm

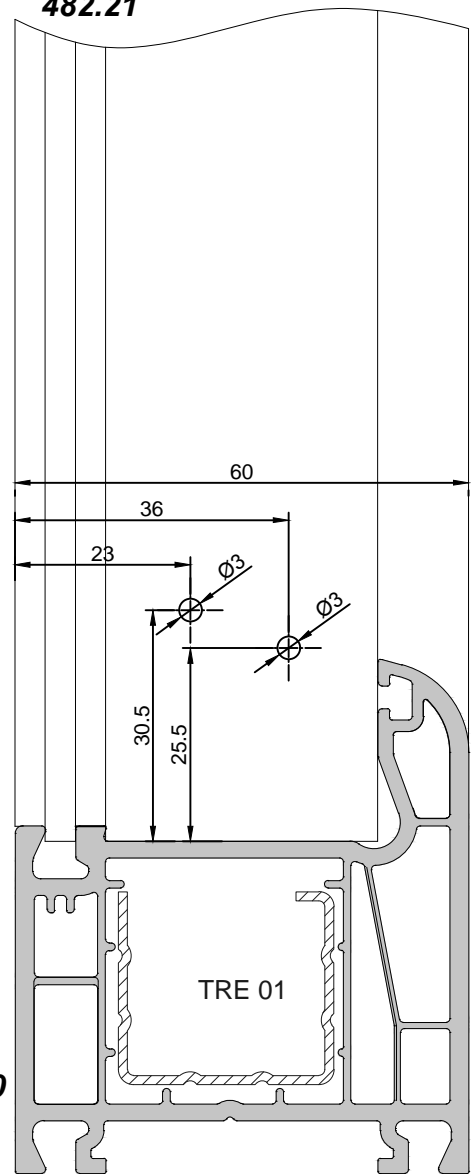


### Scheme mullion - frame 60mm

482.21



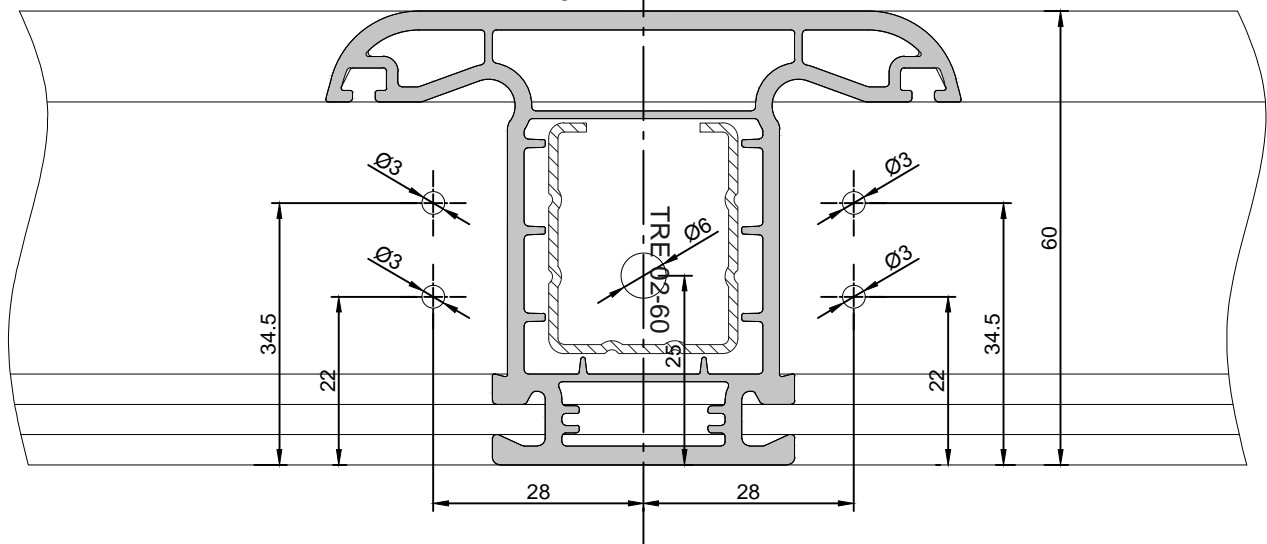
482.21



482.20

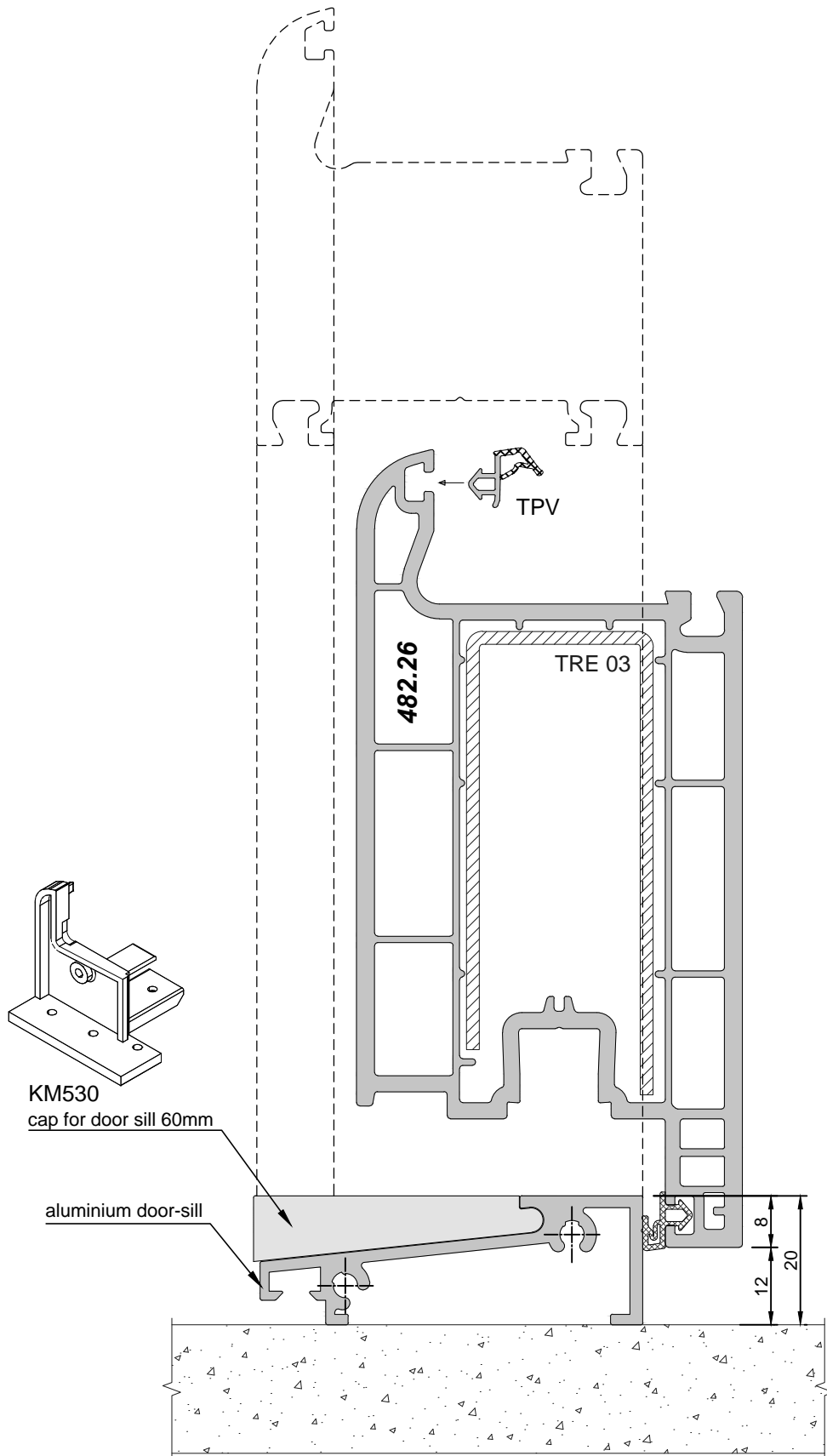
482.20

482.21

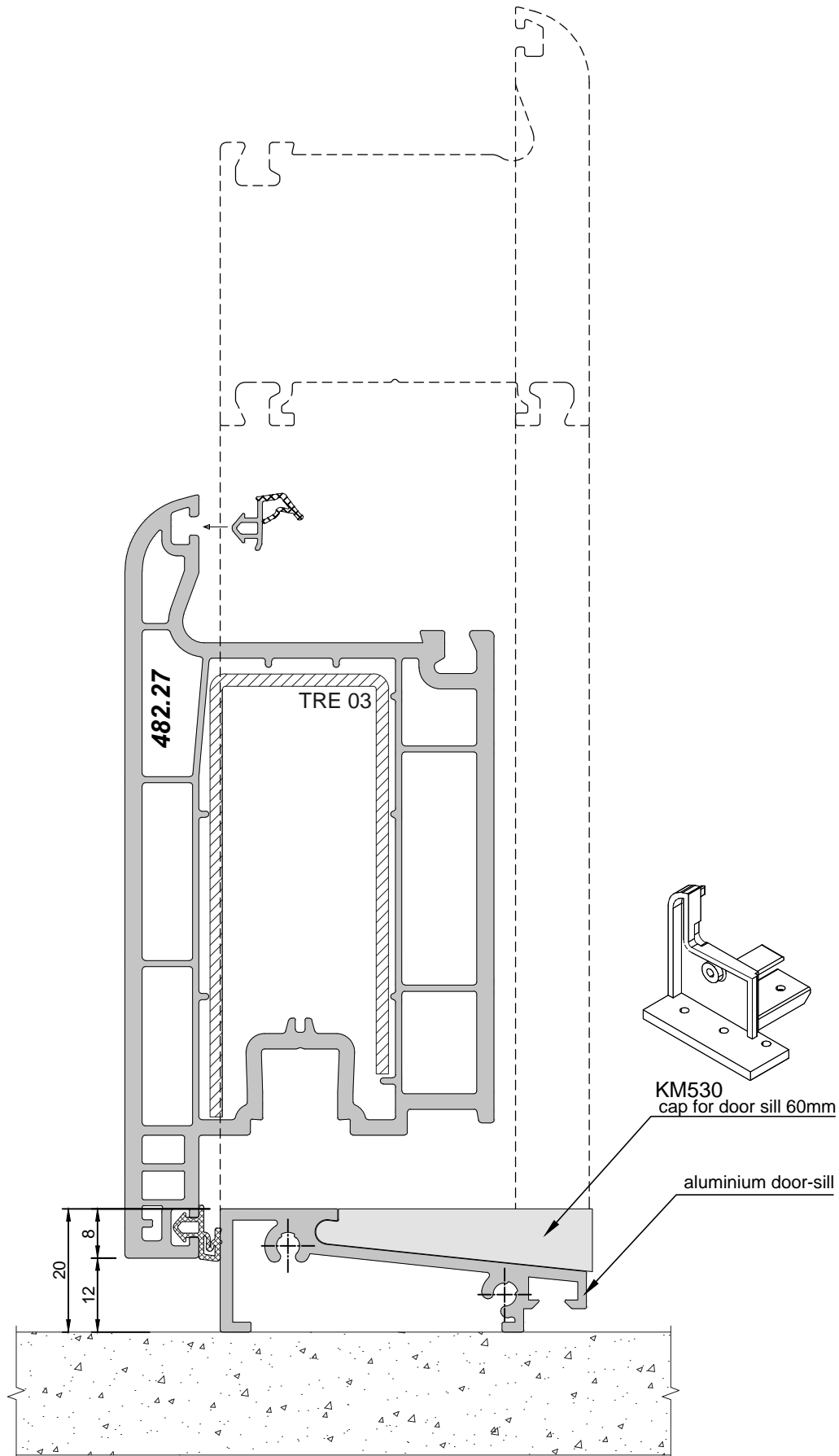




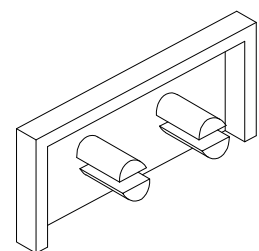
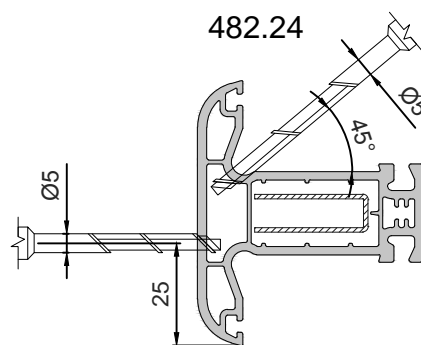
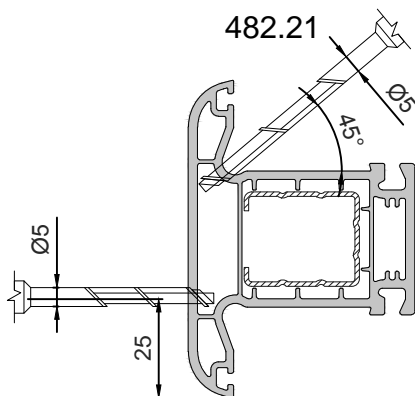
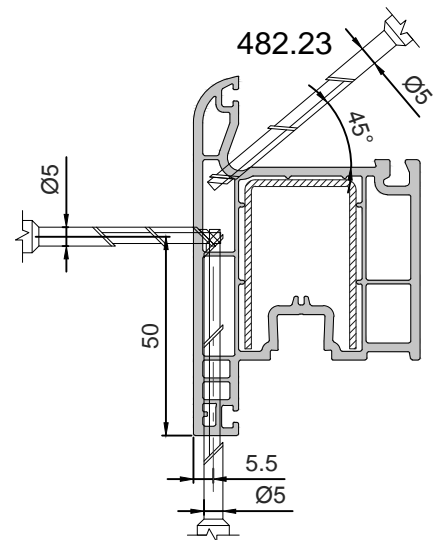
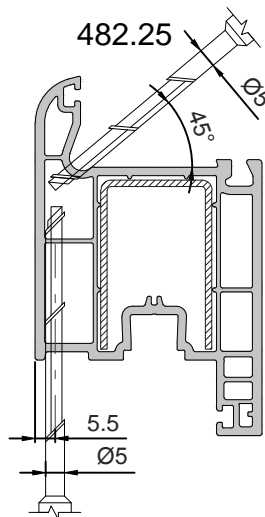
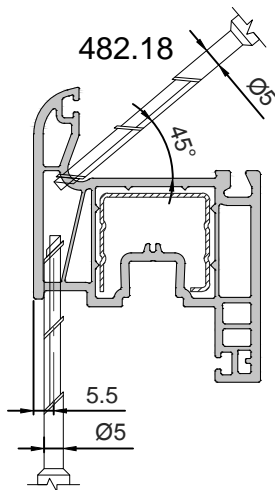
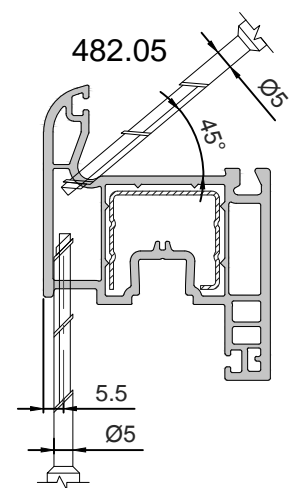
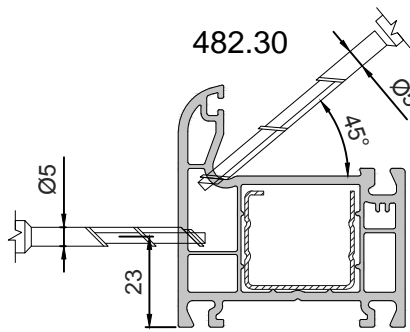
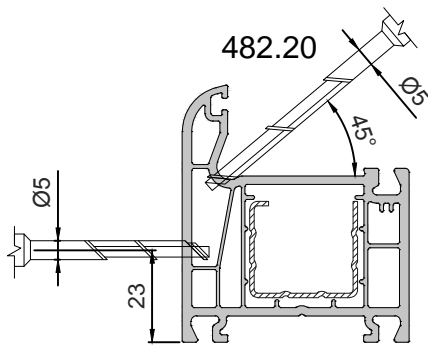
### Scheme aluminium door sill 60mm



### Scheme aluminium door sill 60mm



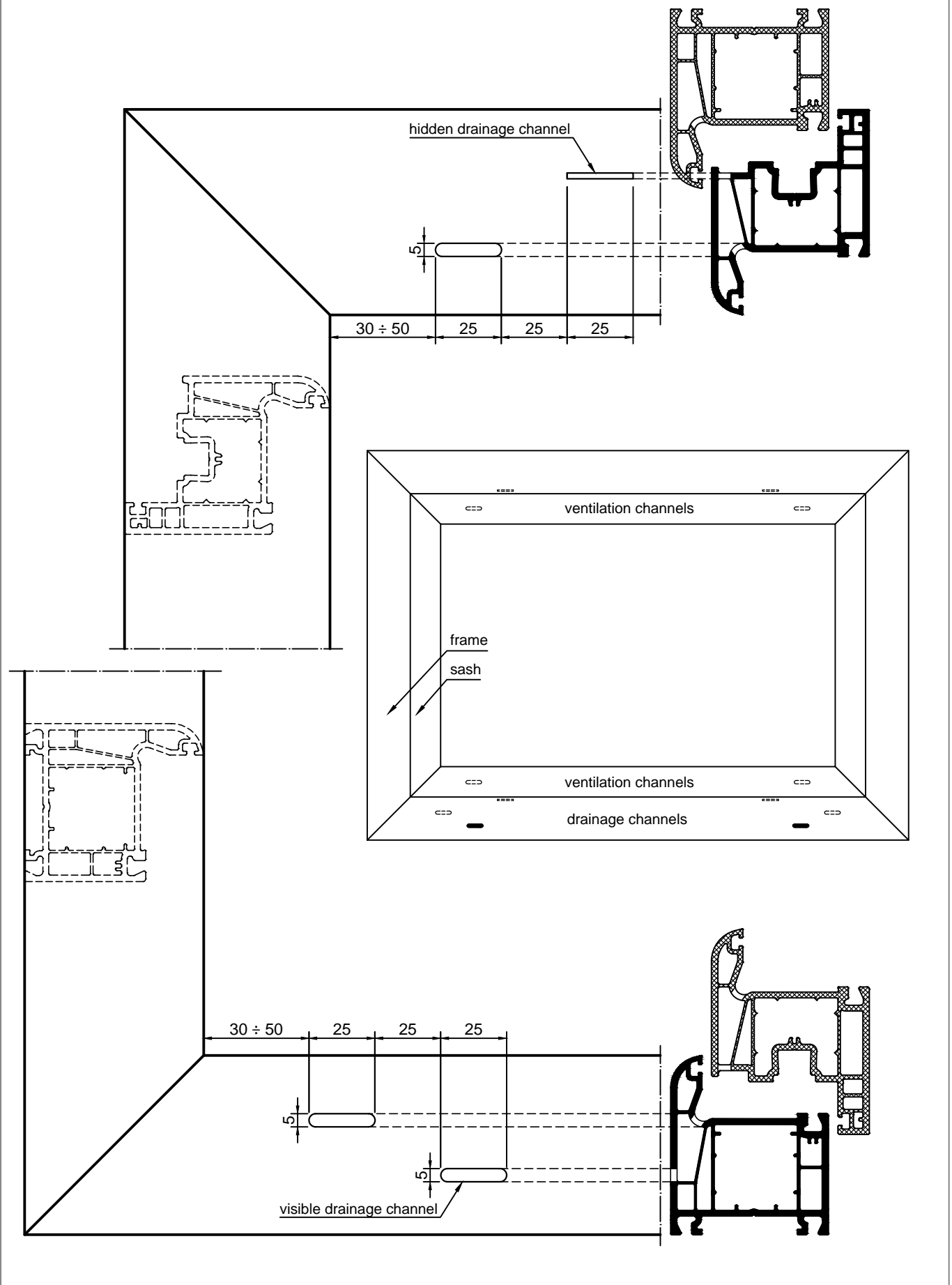
*PRELUDE* /series 60mm/:  
ventilation and drainage



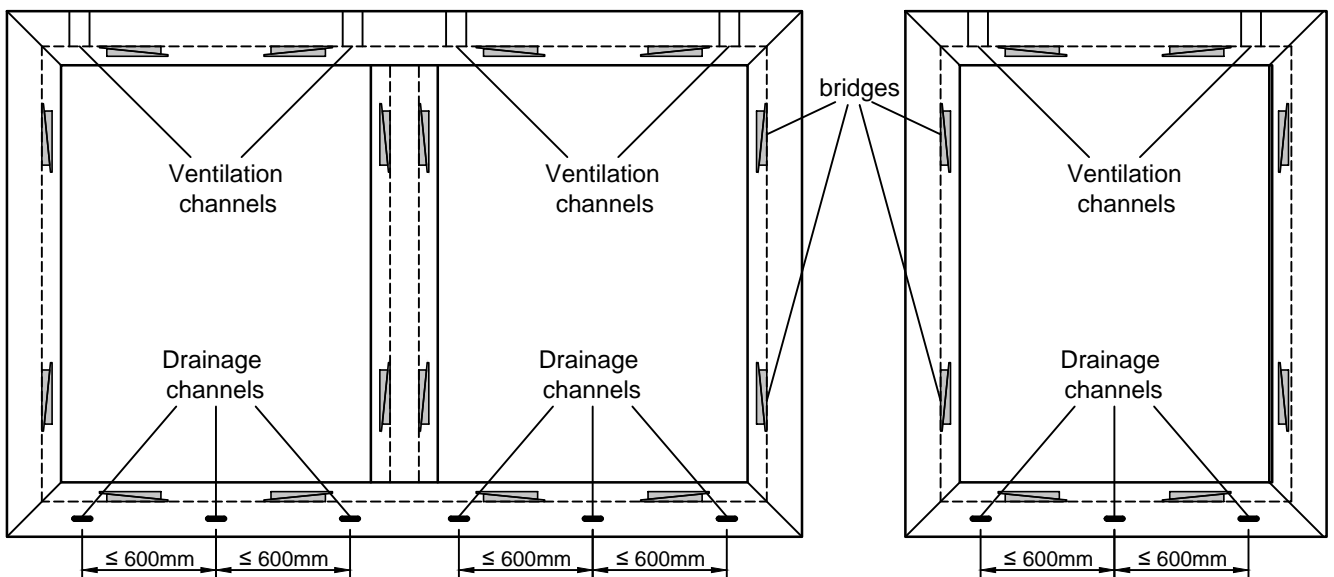
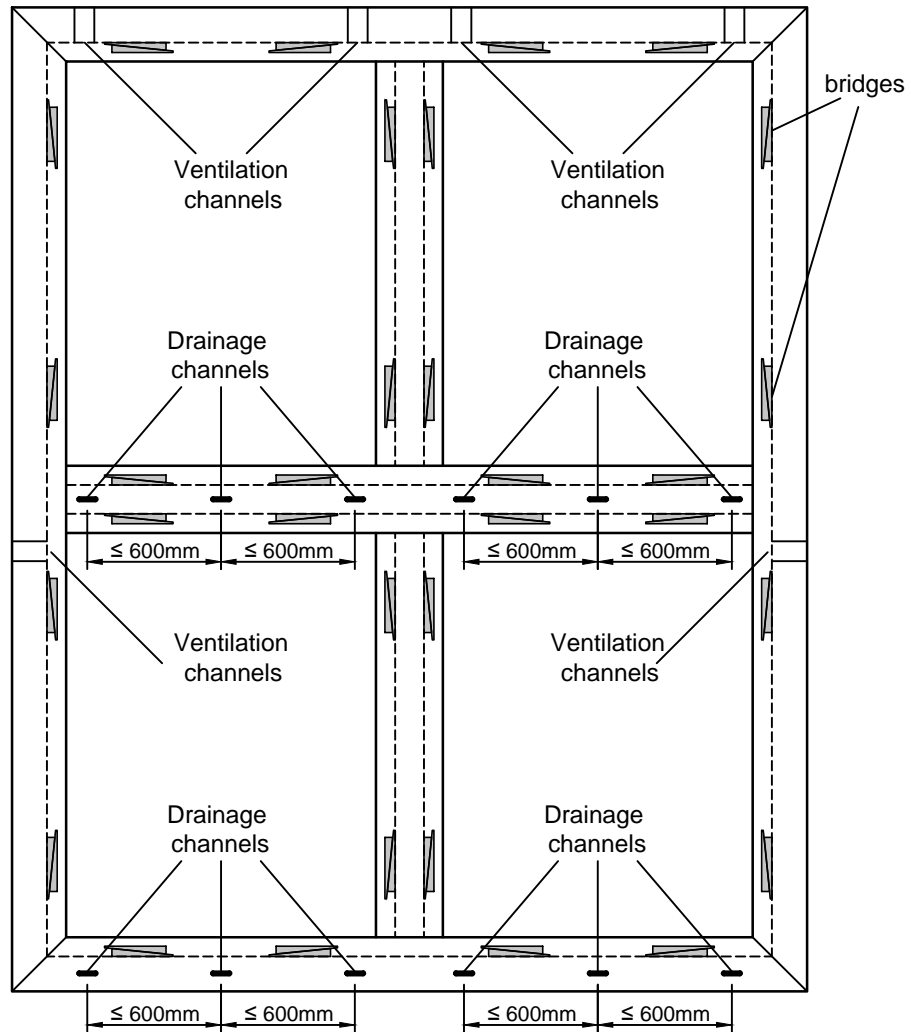
AL1210

Cover cap for drainage openings

SCHEME DRILLING OF VENTILATION AND DRAINAGE CHANNELS

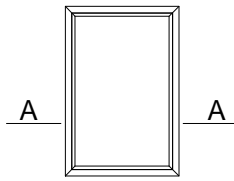


SCHEME DRILLING OF VENTILATION AND DRAINAGE CHANNELS



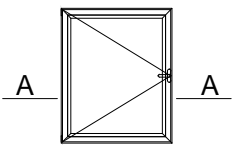
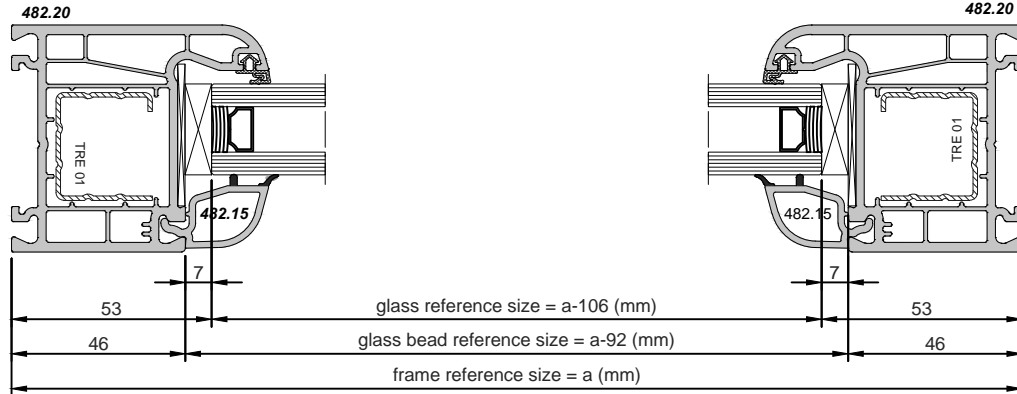
*PRELUDE* /series 60mm/  
cutting drawings

**PRELUDE /series 60mm/:**  
cutting list



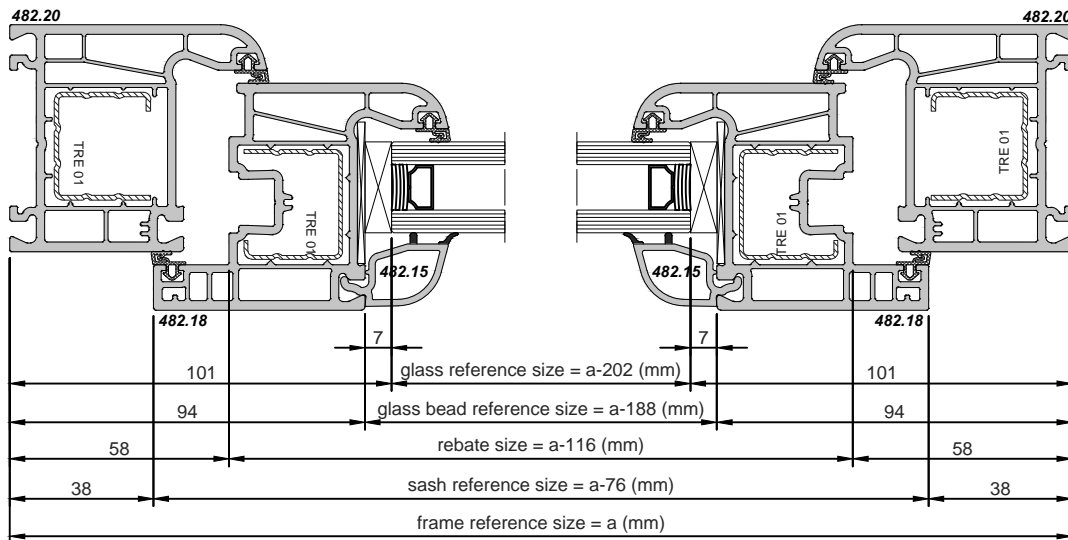
Exemplary scheme of fixed window

A-A  
scale 1:2



Exemplary scheme for an one-sash window

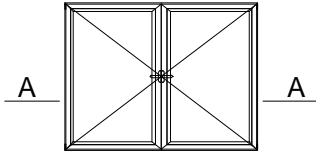
A-A  
scale 1:2



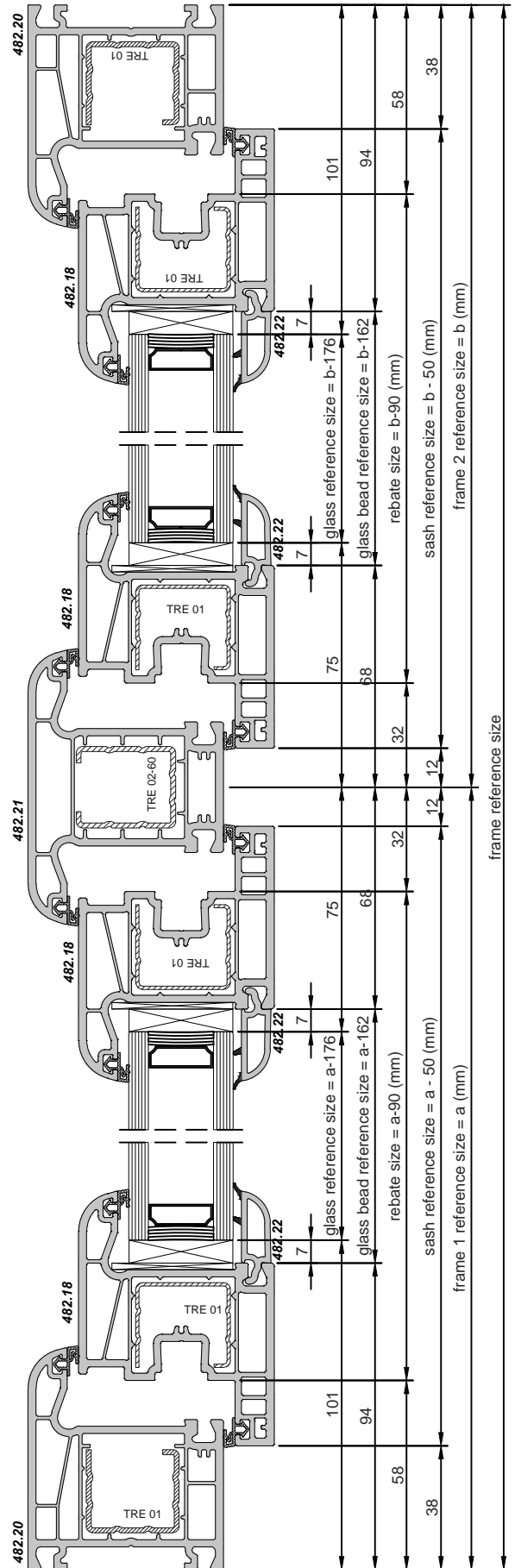
**WARNING:** When defining the dimensions of the profiles the size of their welding should be added as well. The recommendable size for addition is 3 mm for each side.

# PRELUDE /series 60mm/: cutting list

Exemplary scheme for a  
two-sash window with  
mullion



A-A  
scale 1:2

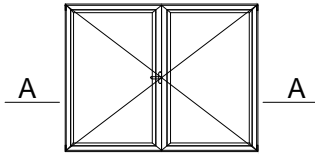


**WARNING:** When defining the dimensions of the profiles the size of their welding should be added as well. The recommendable size for addition is 3 mm for each side.

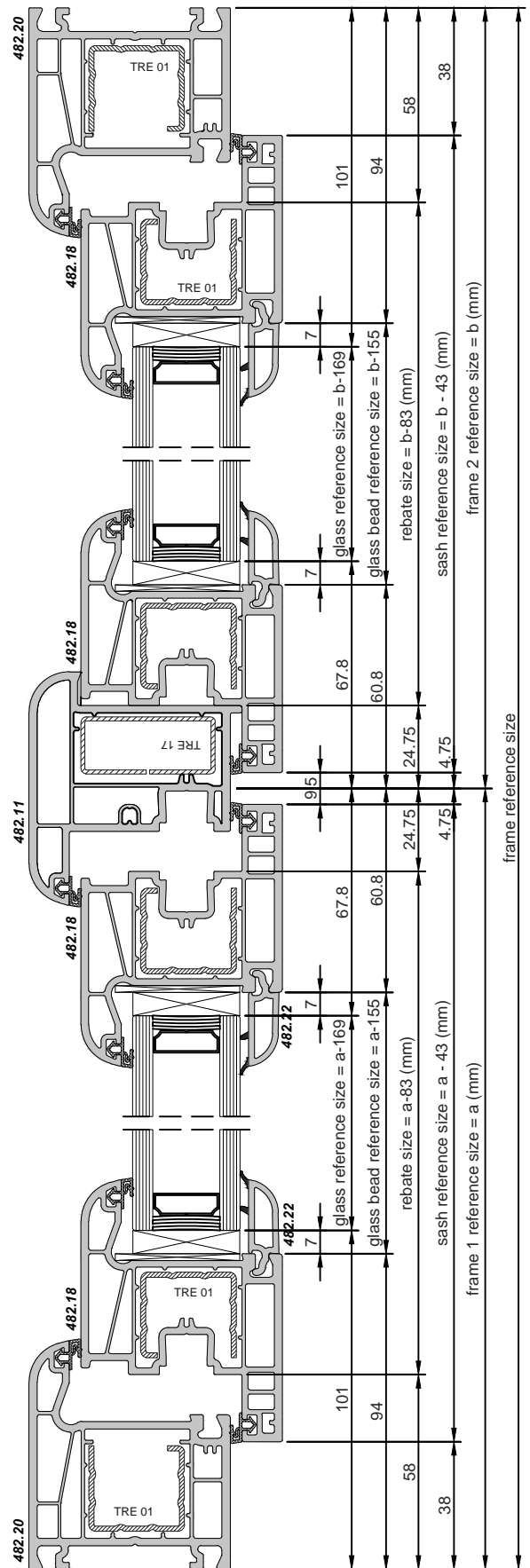


*PRELUDE* /series 60mm/:  
cutting list

Exemplary scheme for a  
two-sash window with  
mobile mullion



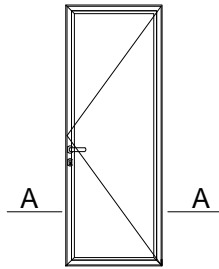
A-A  
scale 1:2



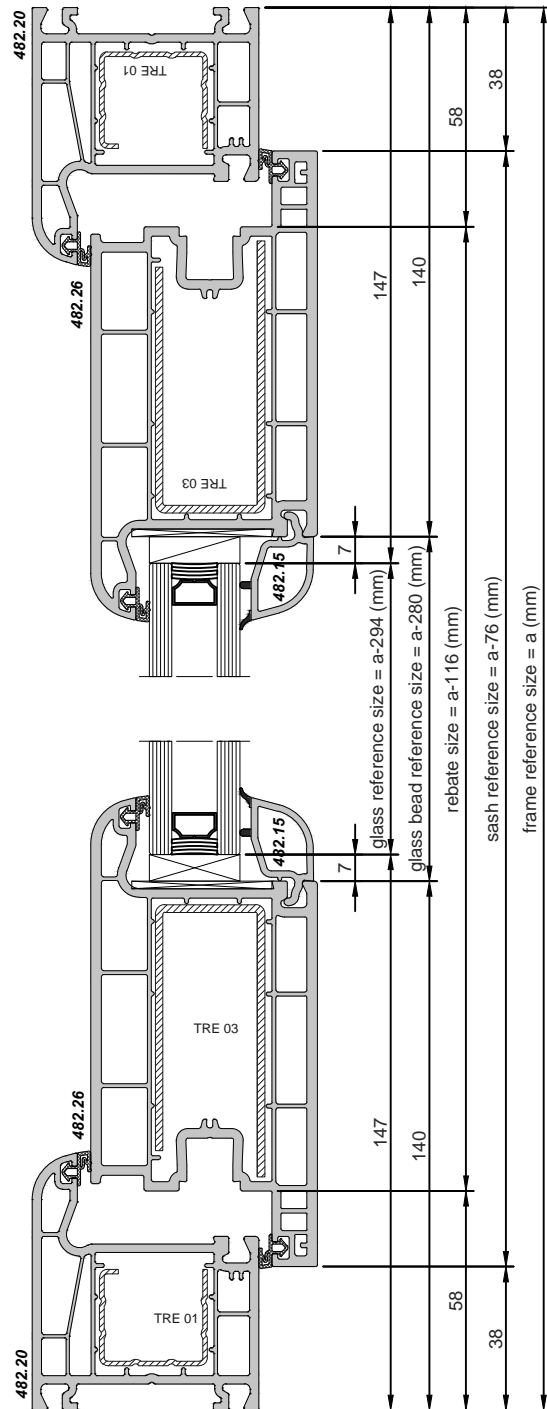
**WARNING:** When defining the dimensions of the profiles the size of their welding should be added as well. The recommendable size for addition is 3 mm for each side.

*PRELUDE* /series 60mm/:  
cutting list

Exemplary scheme for door



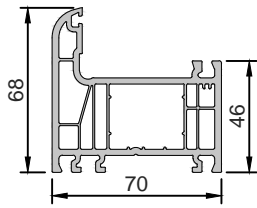
A-A  
scale 1:2



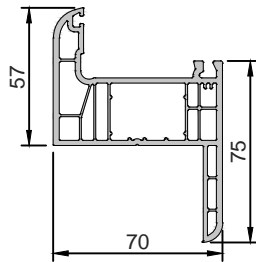
**WARNING:** When defining the dimensions of the profiles the size of their welding should be added as well. The recommendable size for addition is 3 mm for each side.

*PRESTIGE* /series 70mm/

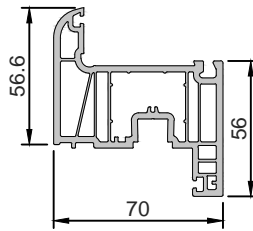
**main profiles**



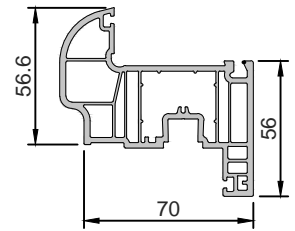
549.15  
frame



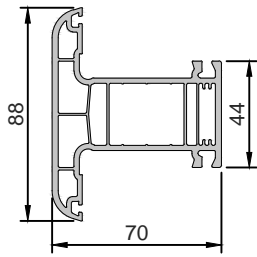
549.20  
frame



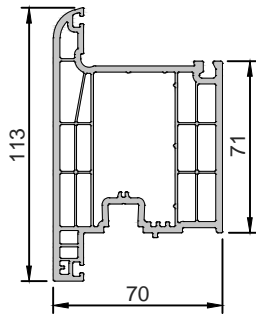
549.16  
sash



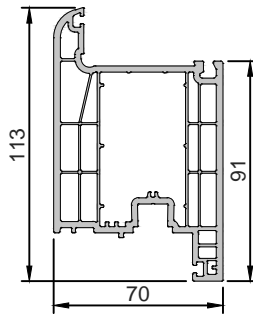
549.19  
sash



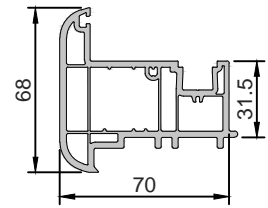
549.17  
mullion



549.11  
sash

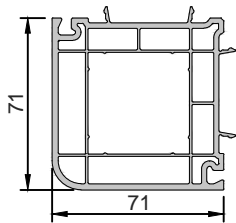


549.05  
door sash

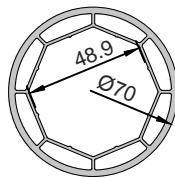


549.04  
overhung

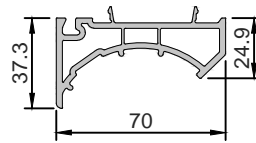
**additional profiles**



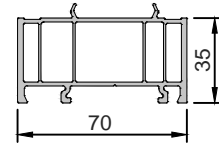
549.08  
column for 90° angle



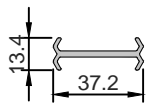
549.07  
pipe



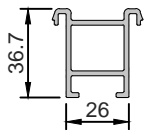
549.06  
addition for pipe



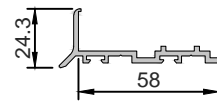
549.14  
frame extension



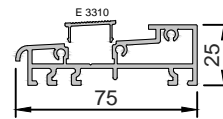
549.18  
coupling profile



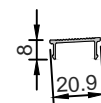
549.09  
lift profile



E 3311  
aluminium  
brush profile



E 3309  
aluminium threshold



E 3310

**EPDM gaskets**



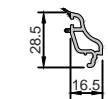
PAR-02



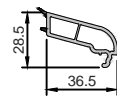
ALT-04

**glass beads**

**TPV gaskets**



482.01  
glass bead 34mm



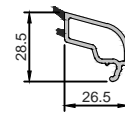
482.14  
glass bead 14mm



482.15  
glass bead 34mm



482.22  
glass bead 42mm

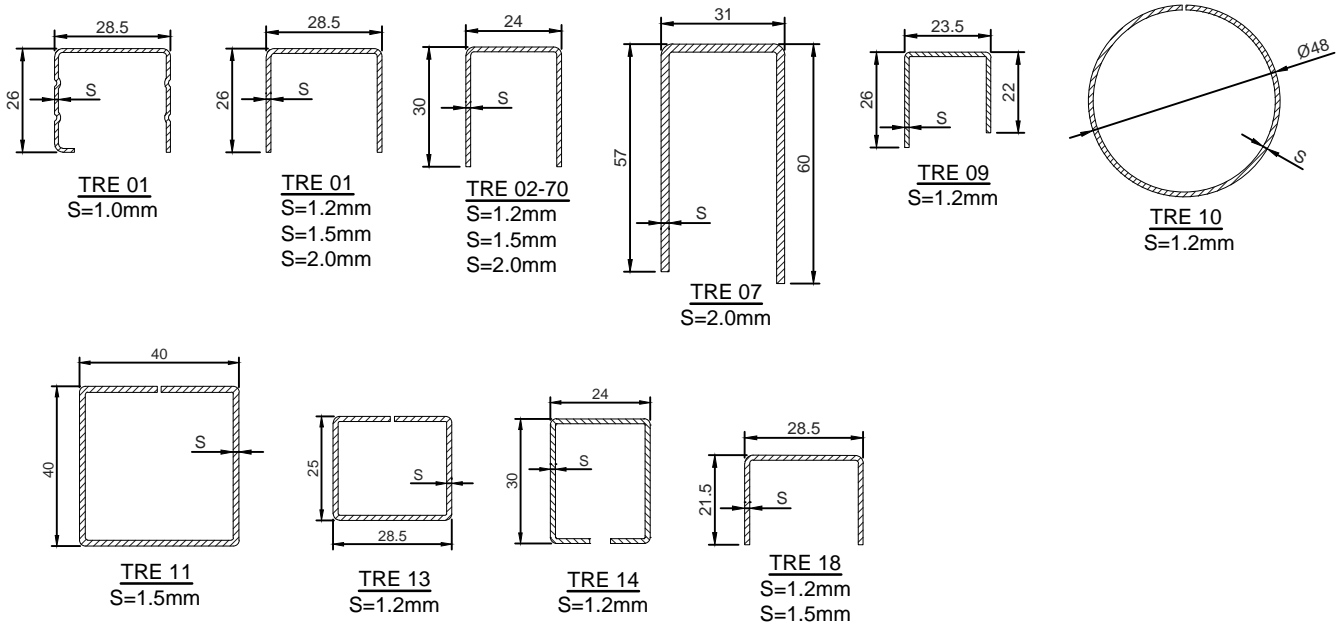


549.10  
glass bead 24mm

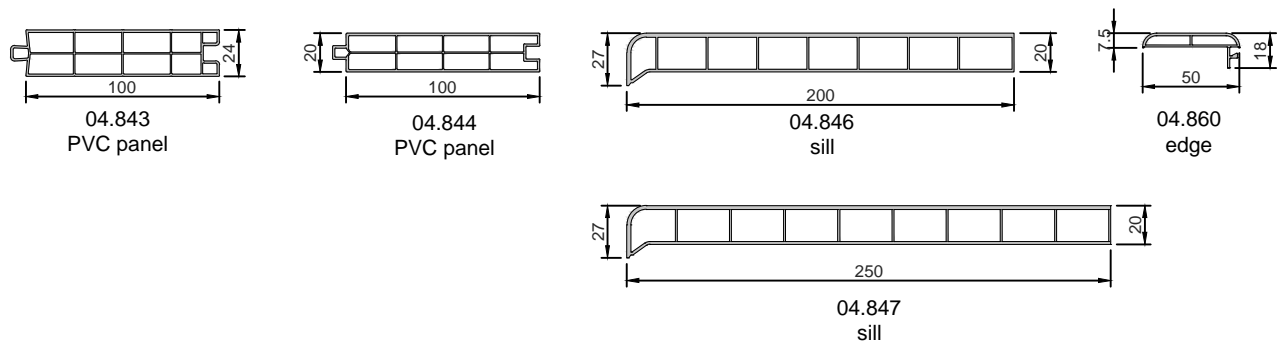


549.13  
compensator

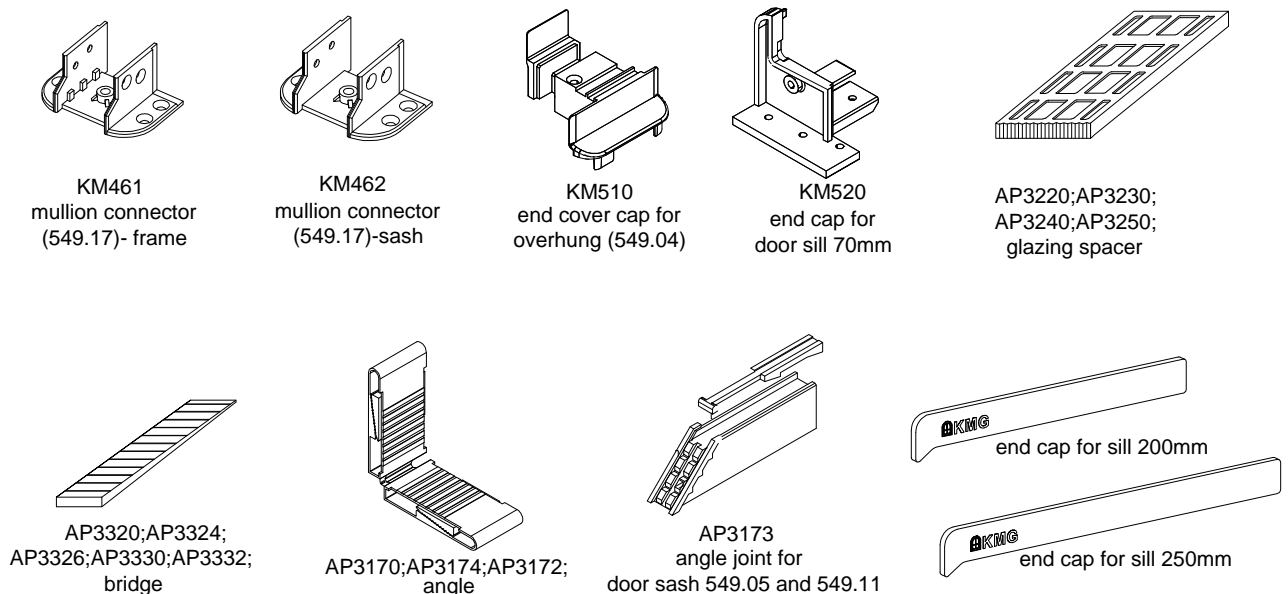
## reinforcements



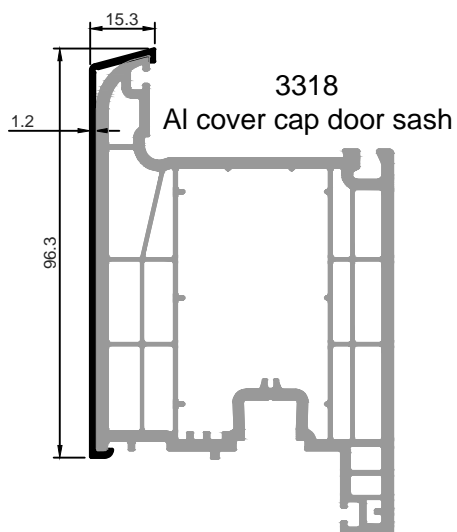
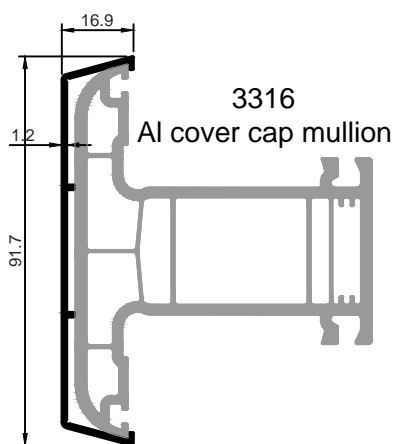
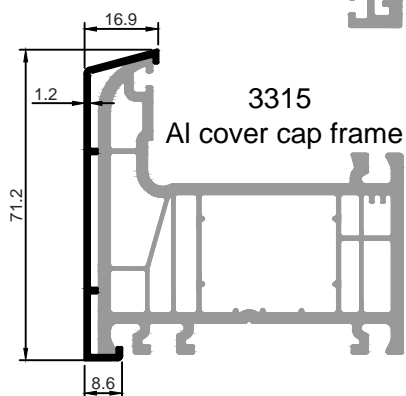
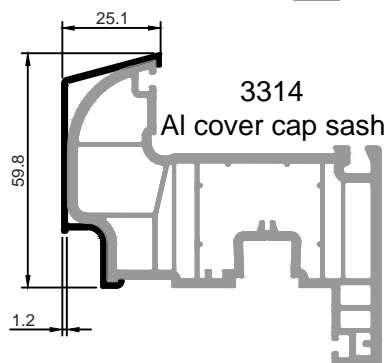
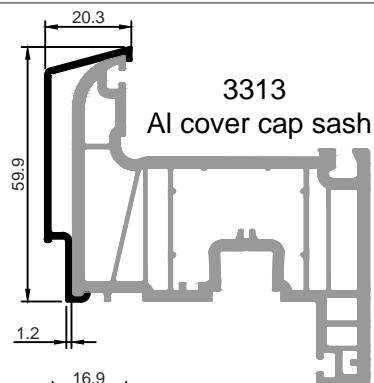
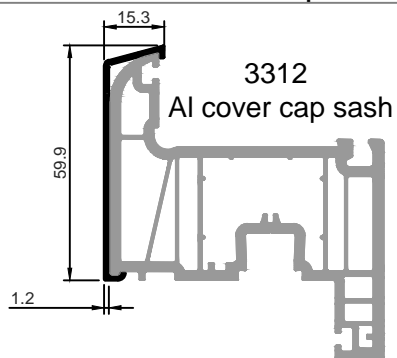
## PVC panels and sills



## accessories



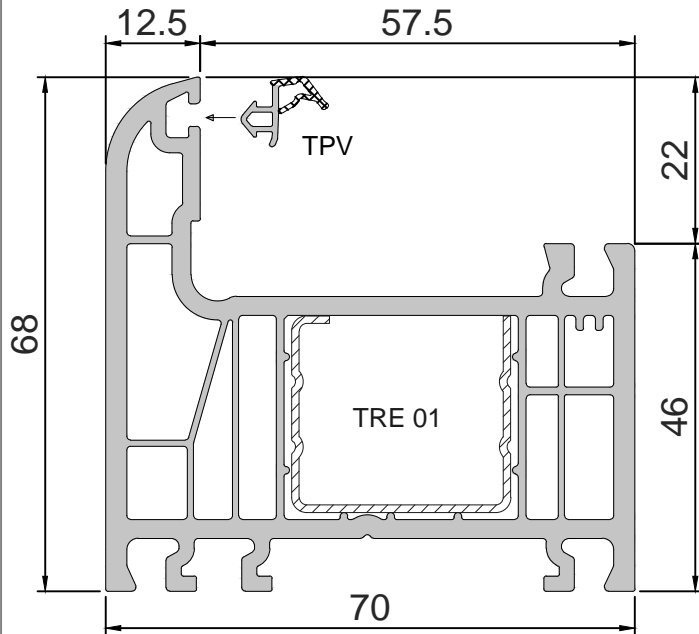
aluminium cover caps



Aluminium cover cap number	Weight
3312 -Al cover cap sash	260 gr/m
3313 -Al cover cap sash	300 gr/m
3314 -Al cover cap sash	317 gr/m
3315 -Al cover cap frame	331 gr/m
3316 -Al cover cap mullion	416 gr/m
3318 -Al cover cap door sash	385 gr/m

# 549.15

frame



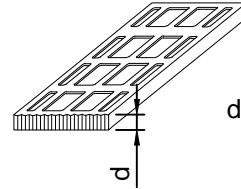
## EPDM gaskets



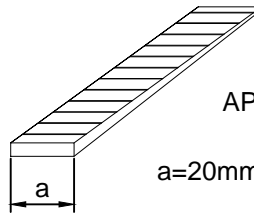
PAR-02



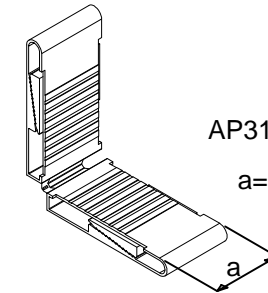
ALT-04



AP3220;AP3230;  
AP3240;AP3250;  
glazing spacer  
d=2mm;3mm;4mm;5mm;



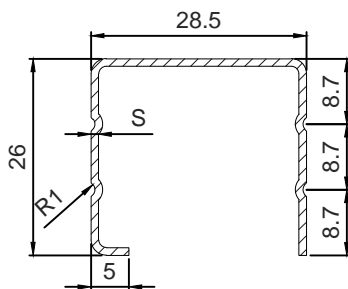
AP3320;AP3324;  
AP3326;AP3330;AP3332;  
bridge  
a=20mm;24mm;26mm;30mm;32mm;



AP3170;AP3174;AP3172;  
angle  
a=18mm;24mm;32mm;

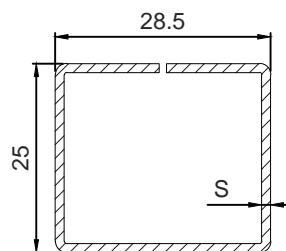
## REINFORCEMENTS:

TRE 01



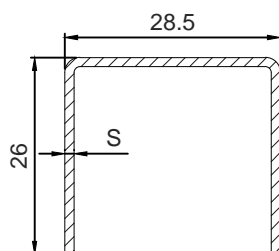
S(mm)	$I_x=0.64 \text{ cm}^4$ $I_y=1.17 \text{ cm}^4$
1.0	

TRE 13



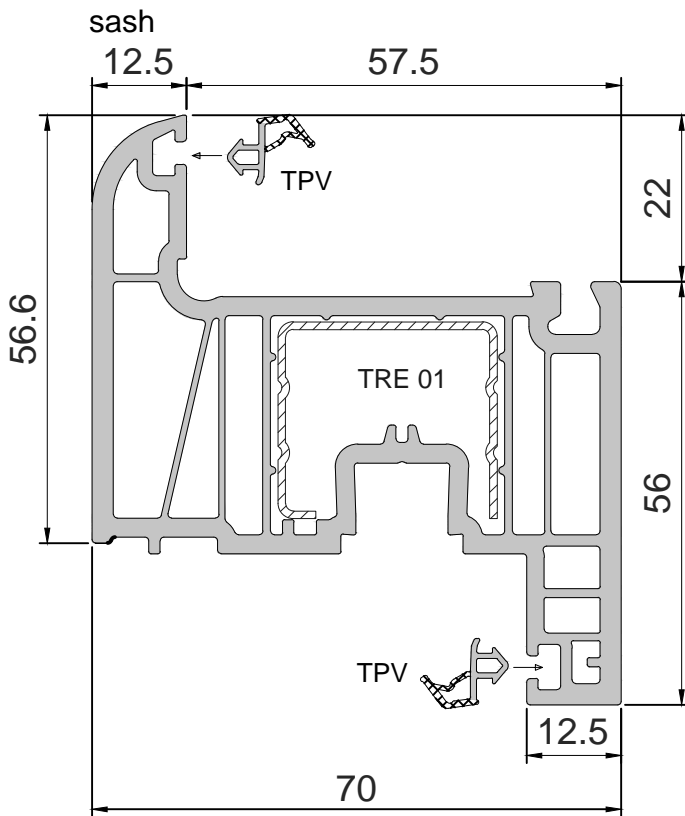
S(mm)	$I_x=1.15 \text{ cm}^4$ $I_y=1.44 \text{ cm}^4$
1.2	

TRE 01



S(mm)	$I_x=0.66 \text{ cm}^4$ $I_y=1.31 \text{ cm}^4$
1.2	
1.5	
2.0	

# 549.16



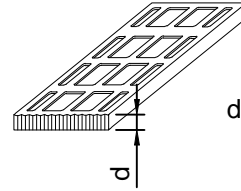
## EPDM gaskets



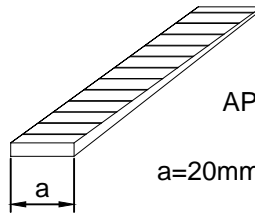
PAR-02



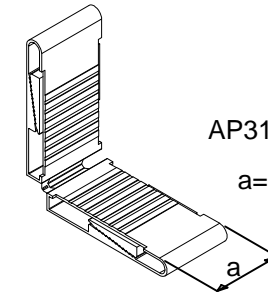
ALT-04



AP3220;AP3230;  
AP3240;AP3250;  
glazing spacer  
d=2mm;3mm;4mm;5mm;



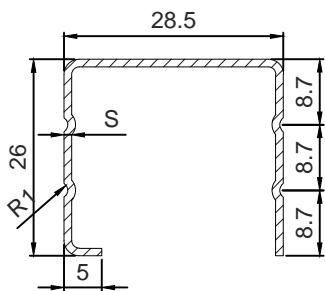
AP3320;AP3324;  
AP3326;AP3330;AP3332;  
bridge  
a=20mm;24mm;26mm;30mm;32mm;



AP3170;AP3174;AP3172;  
angle  
a=18mm;24mm;32mm;

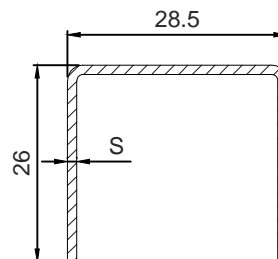
## REINFORCEMENTS:

TRE 01



S(mm)	$I_x=0.65 \text{ cm}^4$ $I_y=1.22 \text{ cm}^4$
1.0	

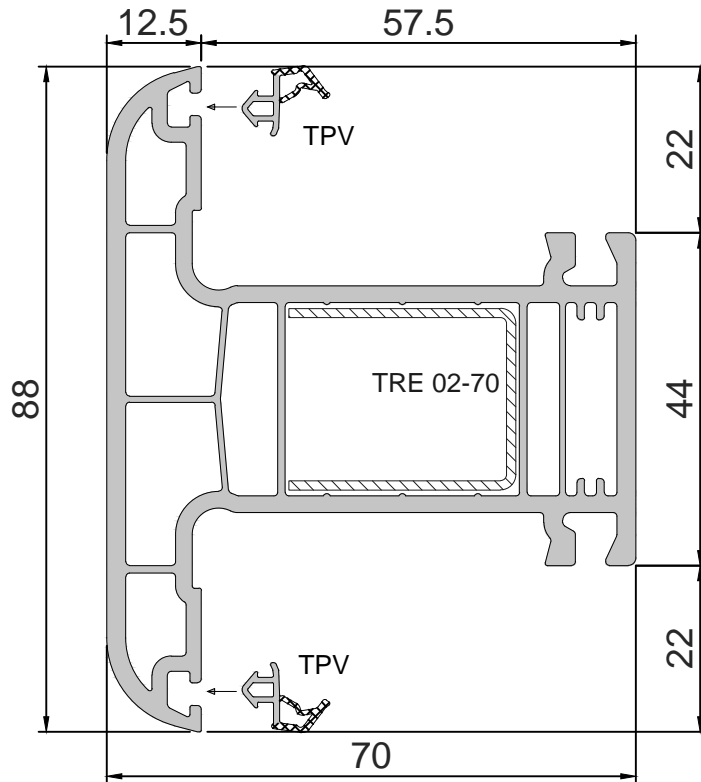
TRE 01



S(mm)	$I_x=0.67 \text{ cm}^4$ $I_y=1.37 \text{ cm}^4$
1.2	
1.5	
2.0	



**549.17**  
mullion



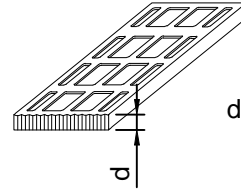
**EPDM gaskets**



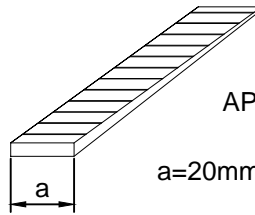
PAR-02



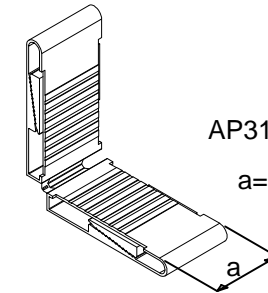
ALT-04



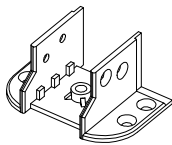
AP3220;AP3230;  
AP3240;AP3250;  
glazing spacer  
d=2mm;3mm;4mm;5mm;



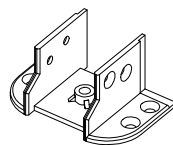
AP3320;AP3324;  
AP3326;AP3330;AP3332;  
bridge  
a=20mm;24mm;26mm;30mm;32mm;



AP3170;AP3174;AP3172;  
angle  
a=18mm;24mm;32mm;



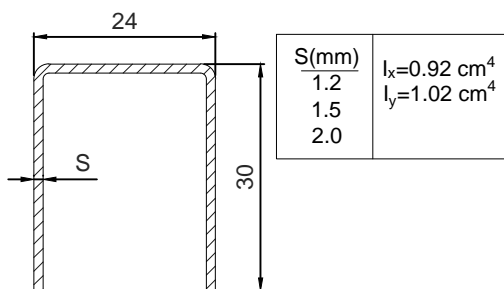
**KM461**  
mullion - frame  
connector



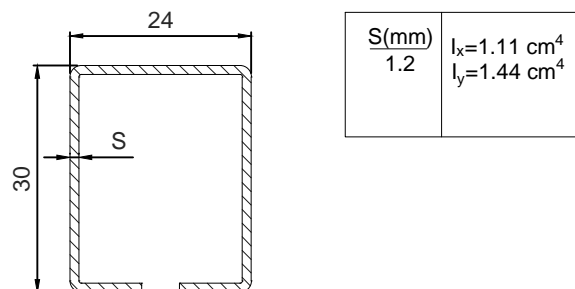
**KM462**  
mullion - sash  
connector

**REINFORCEMENTS:**

**TRE 02-70**

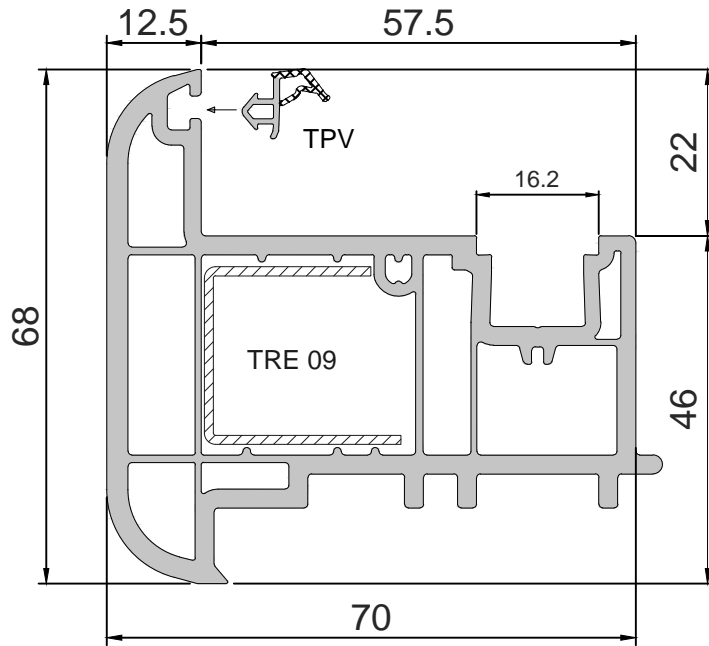


**TRE 14**



**549.04**  
overhung

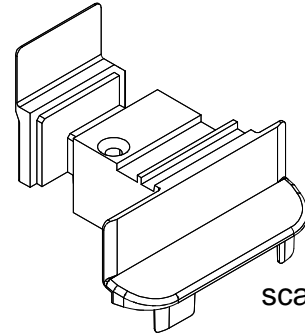
EPDM gaskets



PAR-02



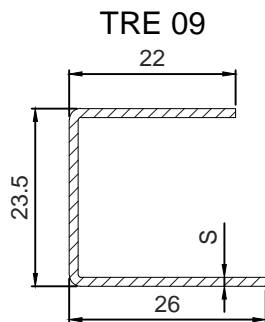
ALT-04



scale 1:2

**KM510**  
end cover cap

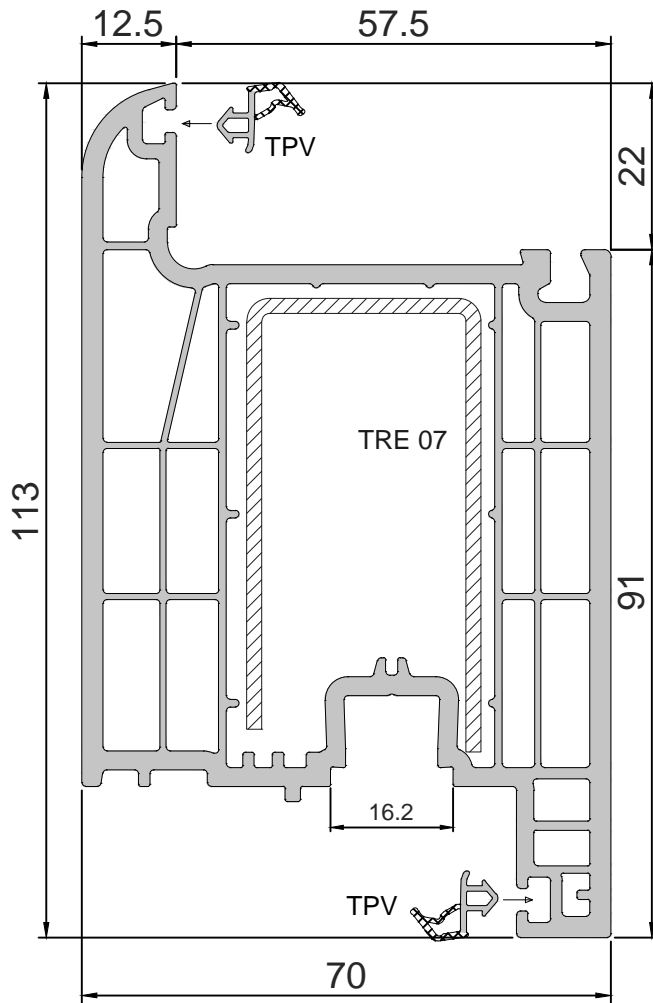
**REINFORCEMENTS:**



S(mm)	$I_x=0.82 \text{ cm}^4$
1.2	$I_y=0.49 \text{ cm}^4$

**549.05**

door sash



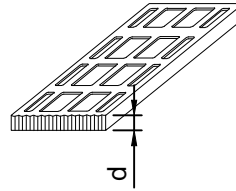
**EPDM gaskets**



PAR-02

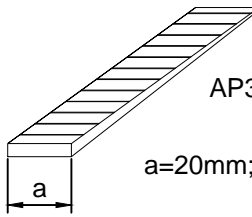


ALT-04



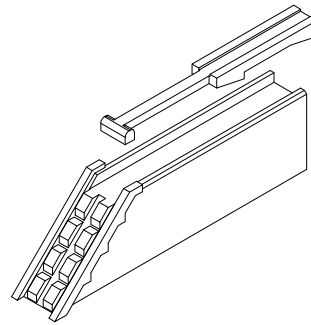
AP3220;AP3230;  
AP3240;AP3250;  
glazing spacer

d=2mm;3mm;4mm;5mm;

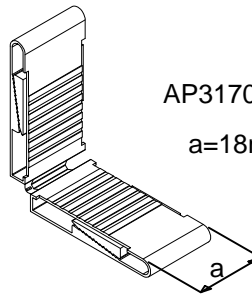


AP3320;AP3324;  
AP3326;AP3330;AP3332;  
bridge

a=20mm;24mm;26mm;30mm;32mm;



AP3173  
angle joint

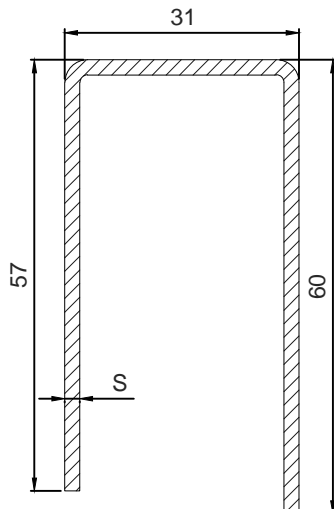


AP3170;AP3174;AP3172;  
angle

a=18mm;24mm;32mm;

**REINFORCEMENTS:**

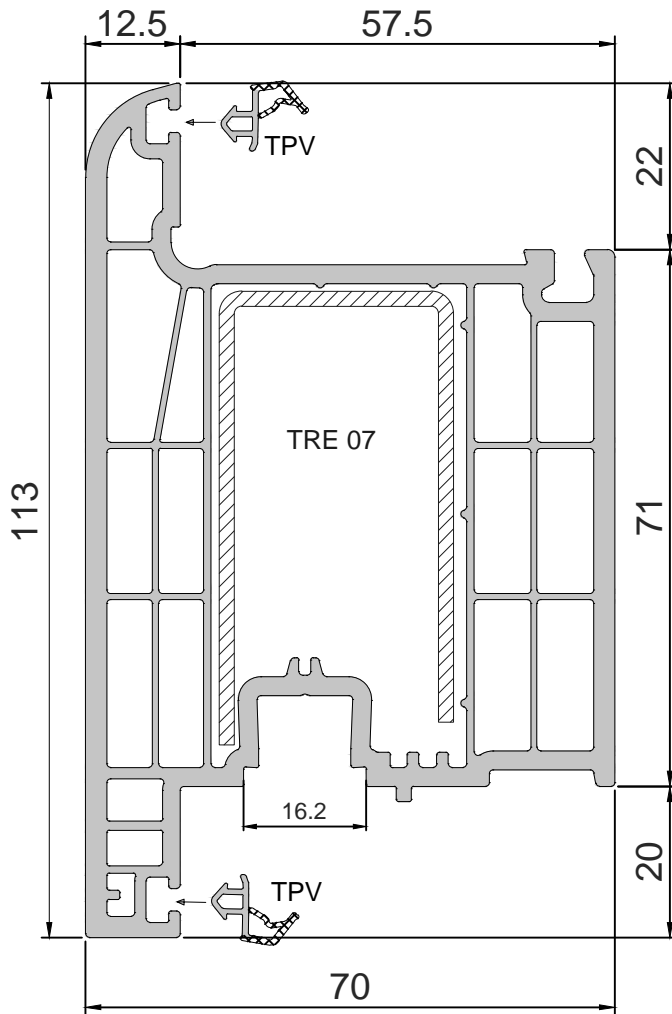
TRE 07



S(mm)	$I_x=10.03 \text{ cm}^4$
2.0	$I_y=5.16 \text{ cm}^4$

# 549.11

door sash



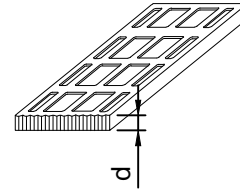
## EPDM gaskets



PAR-02

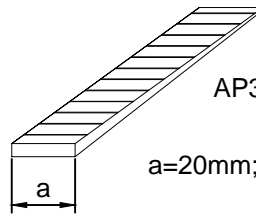


ALT-04



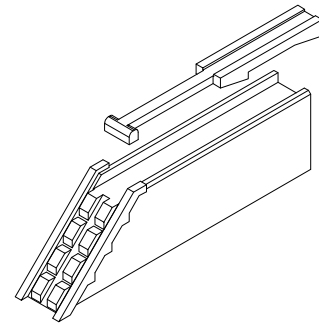
AP3220;AP3230;  
AP3240;AP3250;  
glazing spacer

d=2mm;3mm;4mm;5mm;

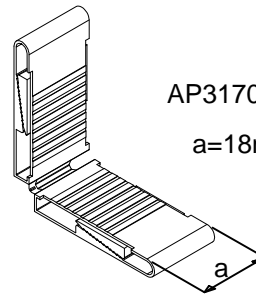


AP3320;AP3324;  
AP3326;AP3330;AP3332;  
bridge

a=20mm;24mm;26mm;30mm;32mm;



AP3173  
angle joint

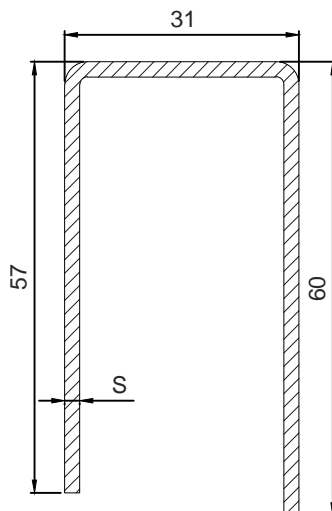


AP3170;AP3174;AP3172;  
angle

a=18mm;24mm;32mm;

## REINFORCEMENTS:

TRE 07

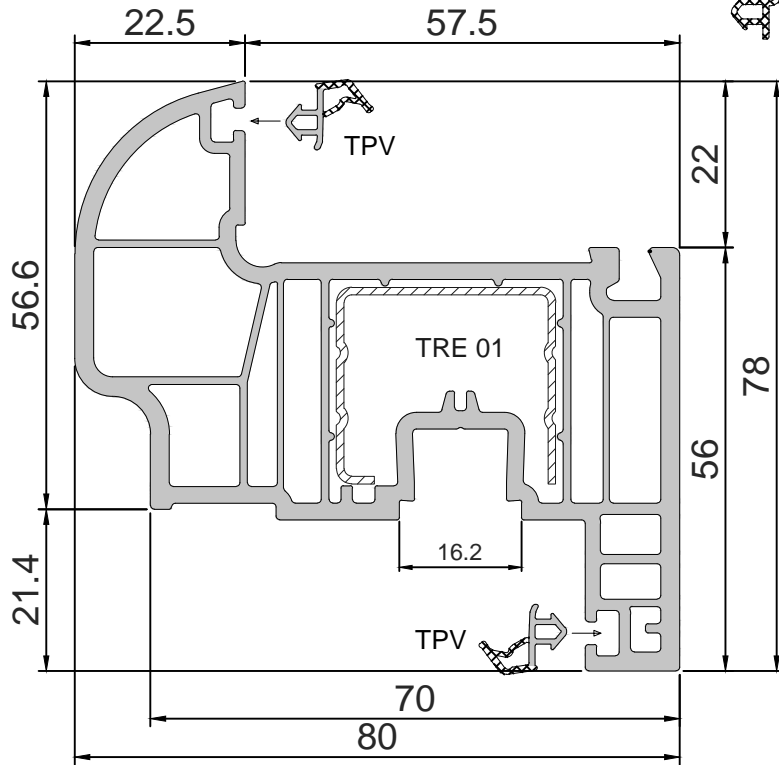


S(mm)	$I_x=10.03 \text{ cm}^4$
2.0	$I_y=5.16 \text{ cm}^4$

# 549.19

sash

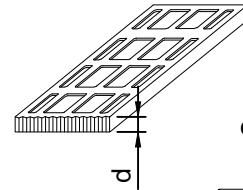
## EPDM gaskets



PAR-02

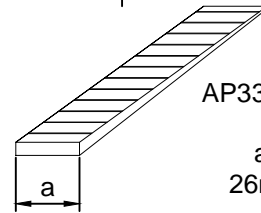


ALT-04



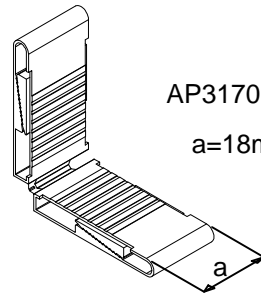
AP3220;AP3230;  
AP3240;AP3250;  
glazing spacer

d=2mm;3mm;4mm;5mm;



AP3320;AP3324;  
AP3326;AP3330;AP3332;  
bridge

a=20mm;24mm;  
26mm;30mm;32mm;

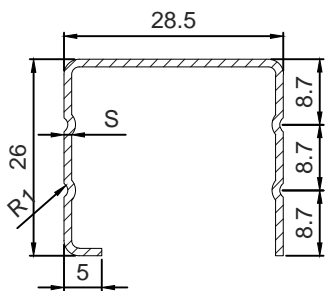


AP3170;AP3174;AP3172;  
angle

a=18mm;24mm;32mm;

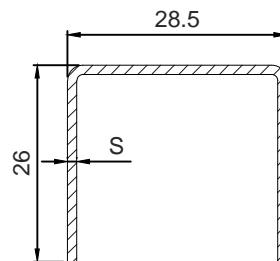
### REINFORCEMENTS:

TRE 01



S(mm)	$I_x=0.65 \text{ cm}^4$
1.0	$I_y=1.22 \text{ cm}^4$

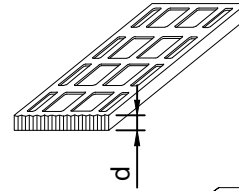
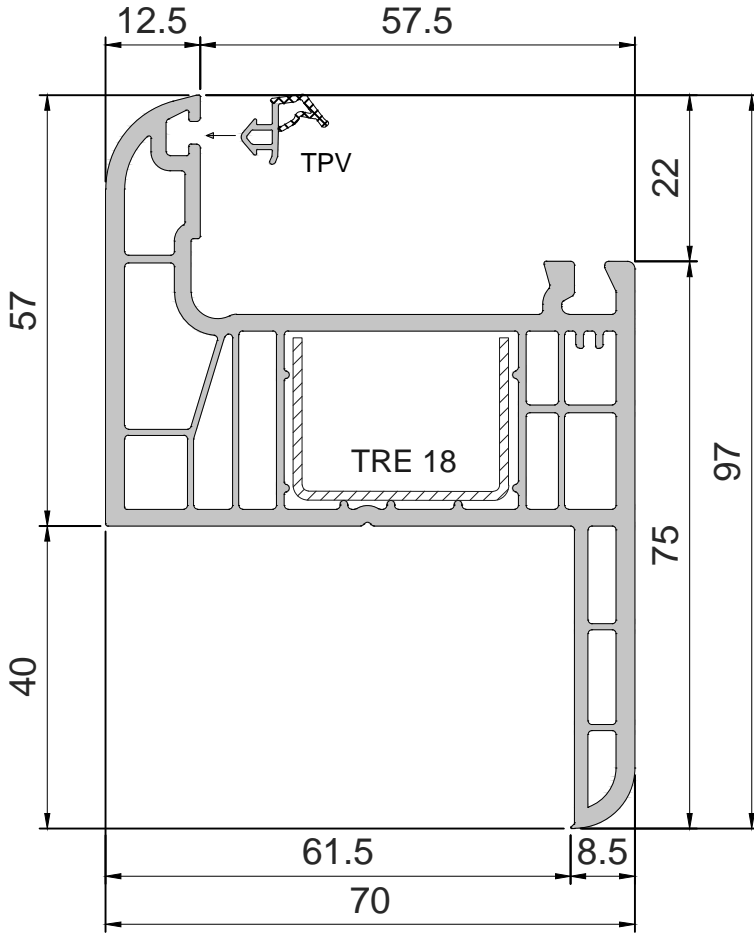
TRE 01



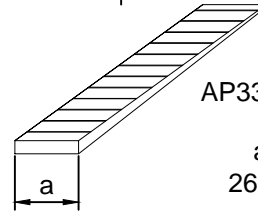
S(mm)	$I_x=0.67 \text{ cm}^4$
1.2	$I_y=1.37 \text{ cm}^4$
1.5	
2.0	

# 549.20

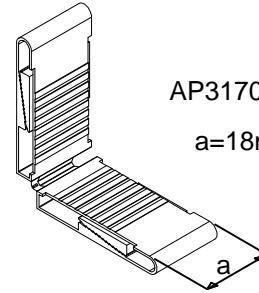
frame



AP3220;AP3230;  
AP3240;AP3250;  
glazing spacer  
d=2mm;3mm;4mm;5mm;

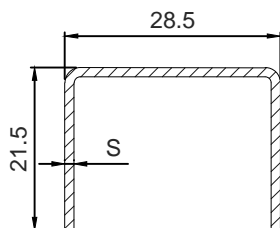


AP3320;AP3324;  
AP3326;AP3330;AP3332;  
bridge  
a=20mm;24mm;  
26mm;30mm;32mm;



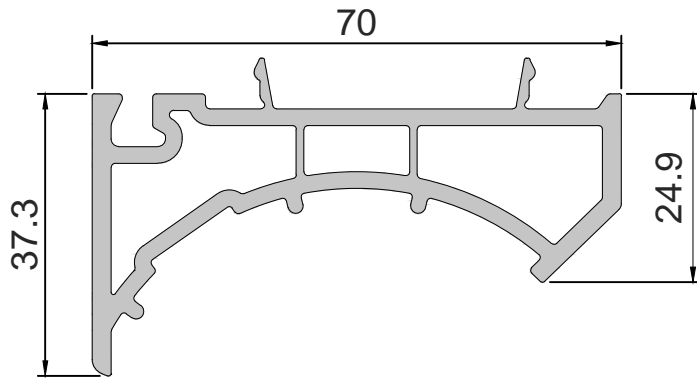
AP3170;AP3174;AP3172;  
angle  
a=18mm;24mm;32mm;

## TRE 18

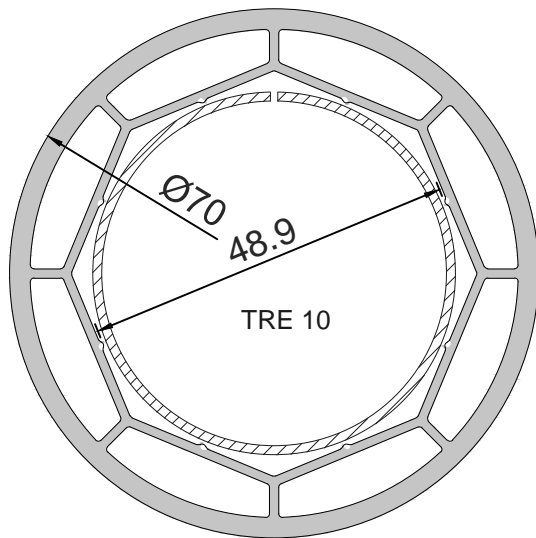


$\frac{S(mm)}{1.2}$	$I_x=0.39 \text{ cm}^4$
1.5	$I_y=1.11 \text{ cm}^4$

**549.06**  
 addition for pipe

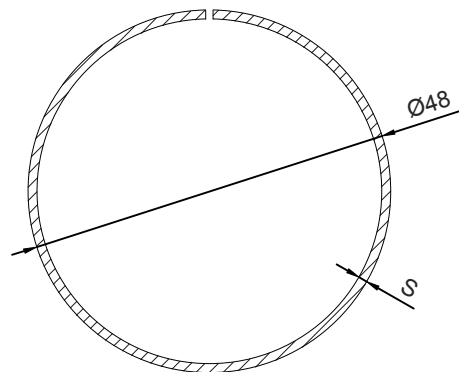


**549.07**  
 pipe



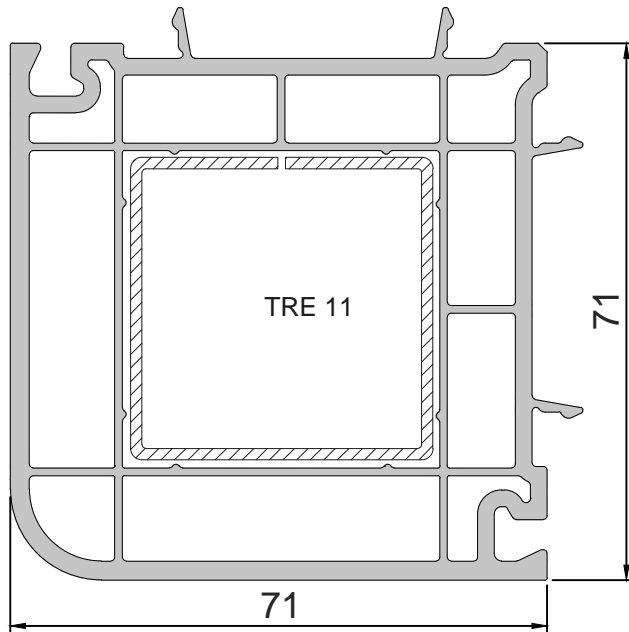
**REINFORCEMENTS:**

**TRE 10**



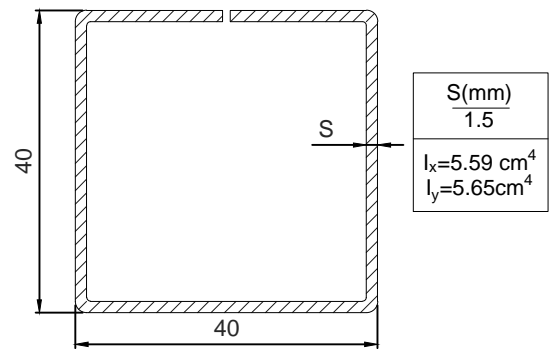
$\frac{S(\text{mm})}{1.2}$
$I_x=4.77 \text{ cm}^4$ $I_y=4.83 \text{ cm}^4$

**549.08**  
column for 90° angle

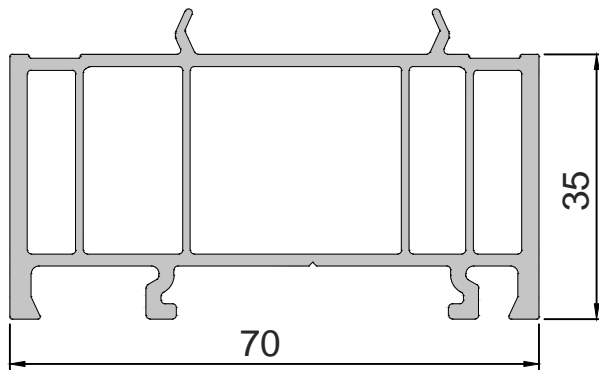


**REINFORCEMENTS:**

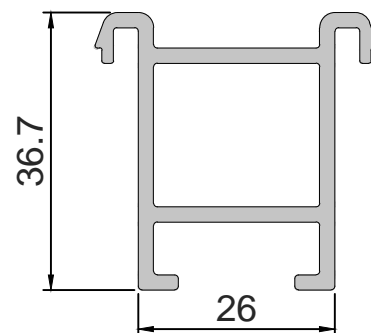
TRE 11



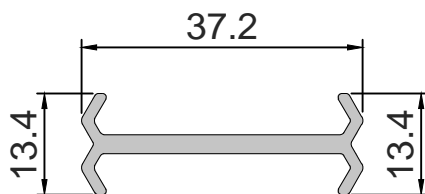
**549.14**  
lift profile



**549.09**  
lift profile

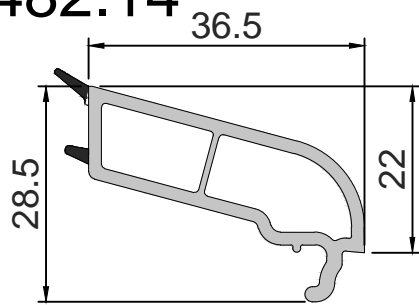


**549.18**  
coupling profile



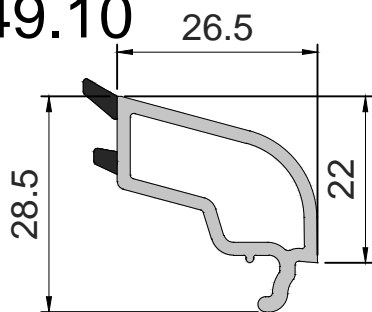


**482.14**



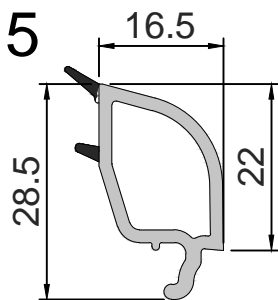
glass bead 14mm

**549.10**



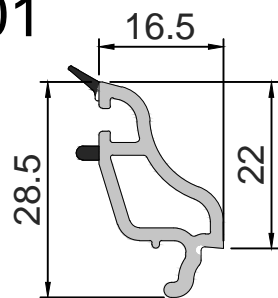
glass bead 24mm

**482.15**



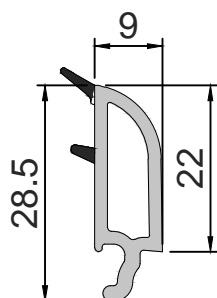
glass bead 34mm

**482.01**



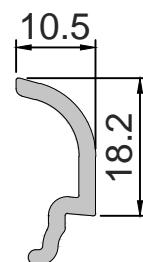
glass bead 34mm

**482.22**



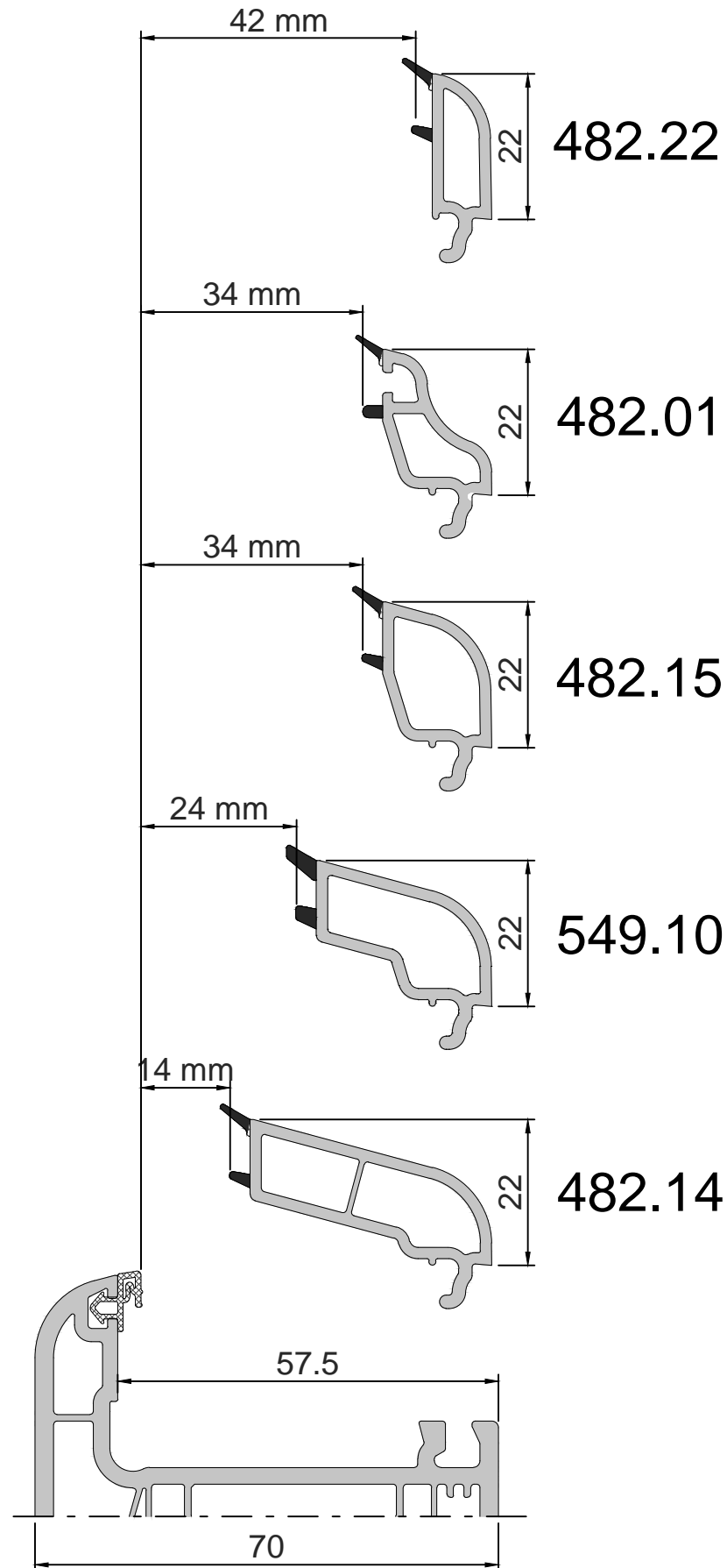
glass bead 42mm

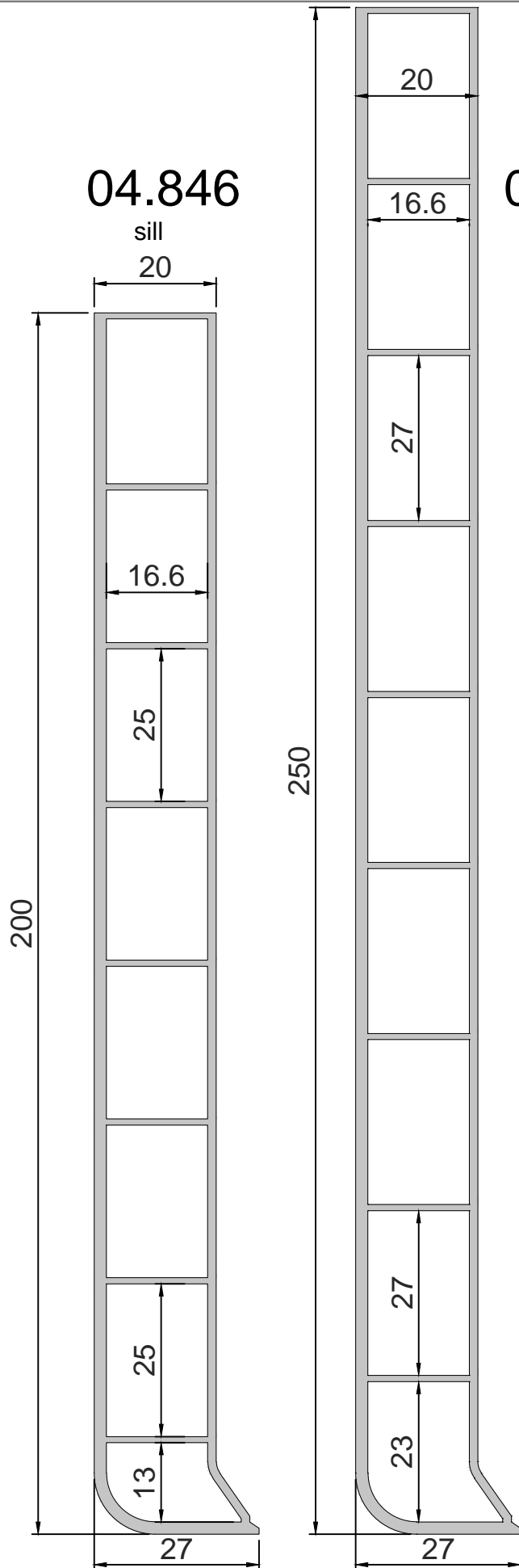
**549.13**



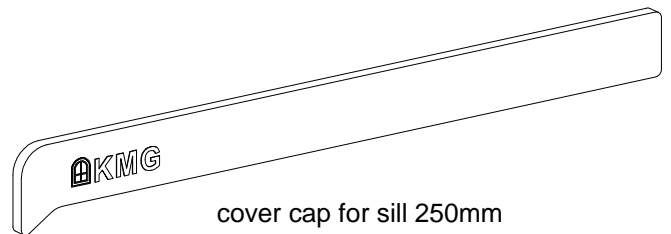
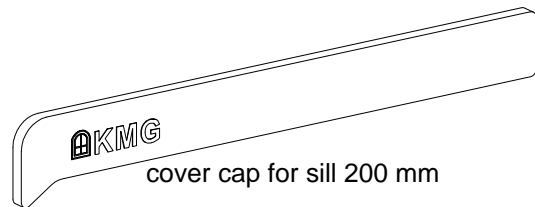
compensator

Thickness of the glass

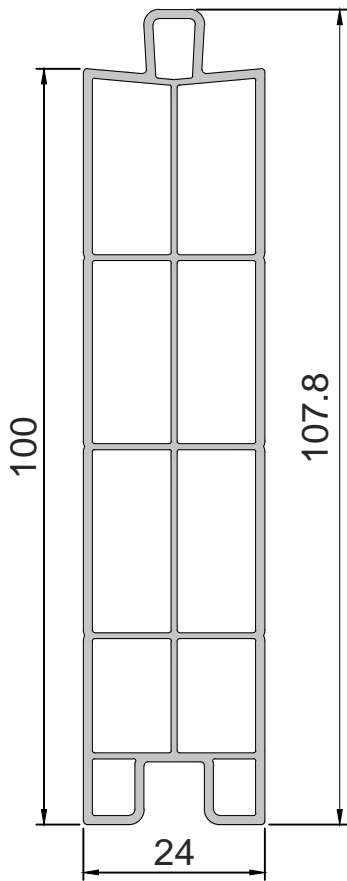




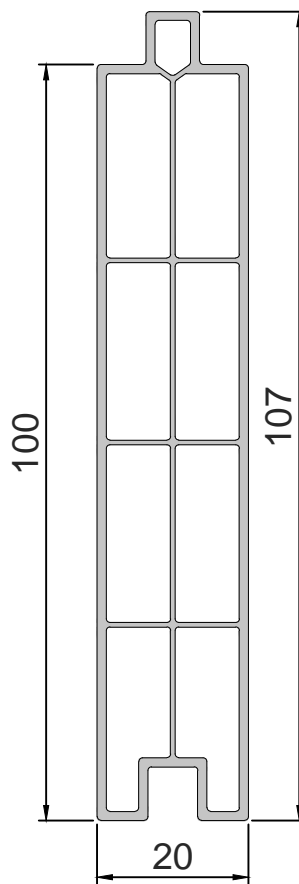
04.847  
sill



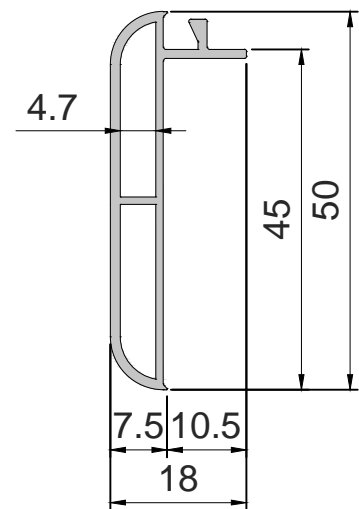
**04.843**  
PVC panel



**04.844**  
PVC panel



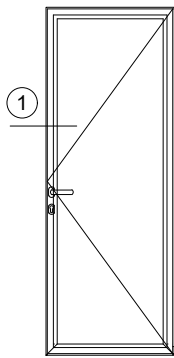
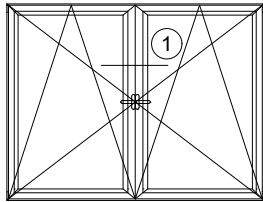
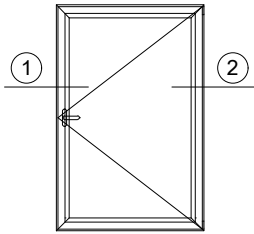
**04.860**  
PVC panel



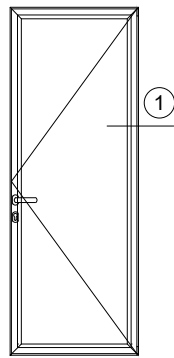
*PRESTIGE* /series 70mm/  
sectional drawings

**PRESTIGE /series 70mm/:**  
types of sections

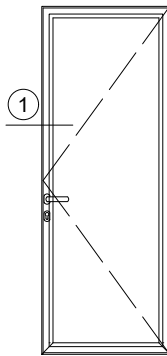
scale 1:1



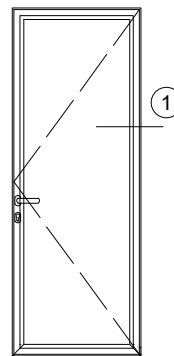
Interior opening



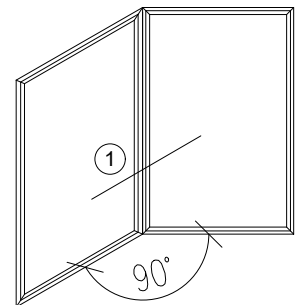
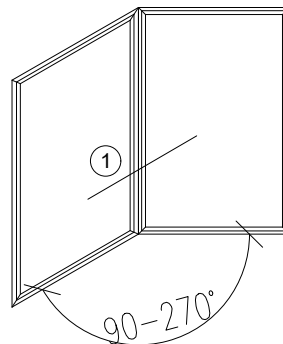
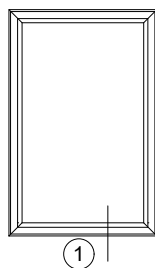
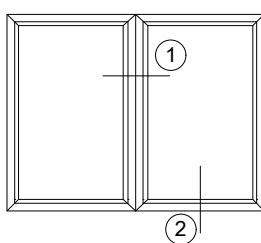
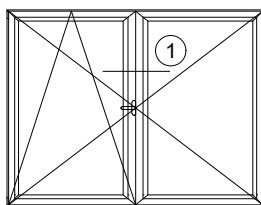
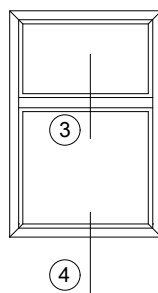
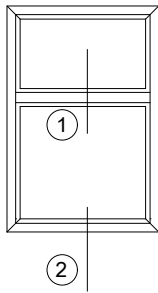
Interior opening

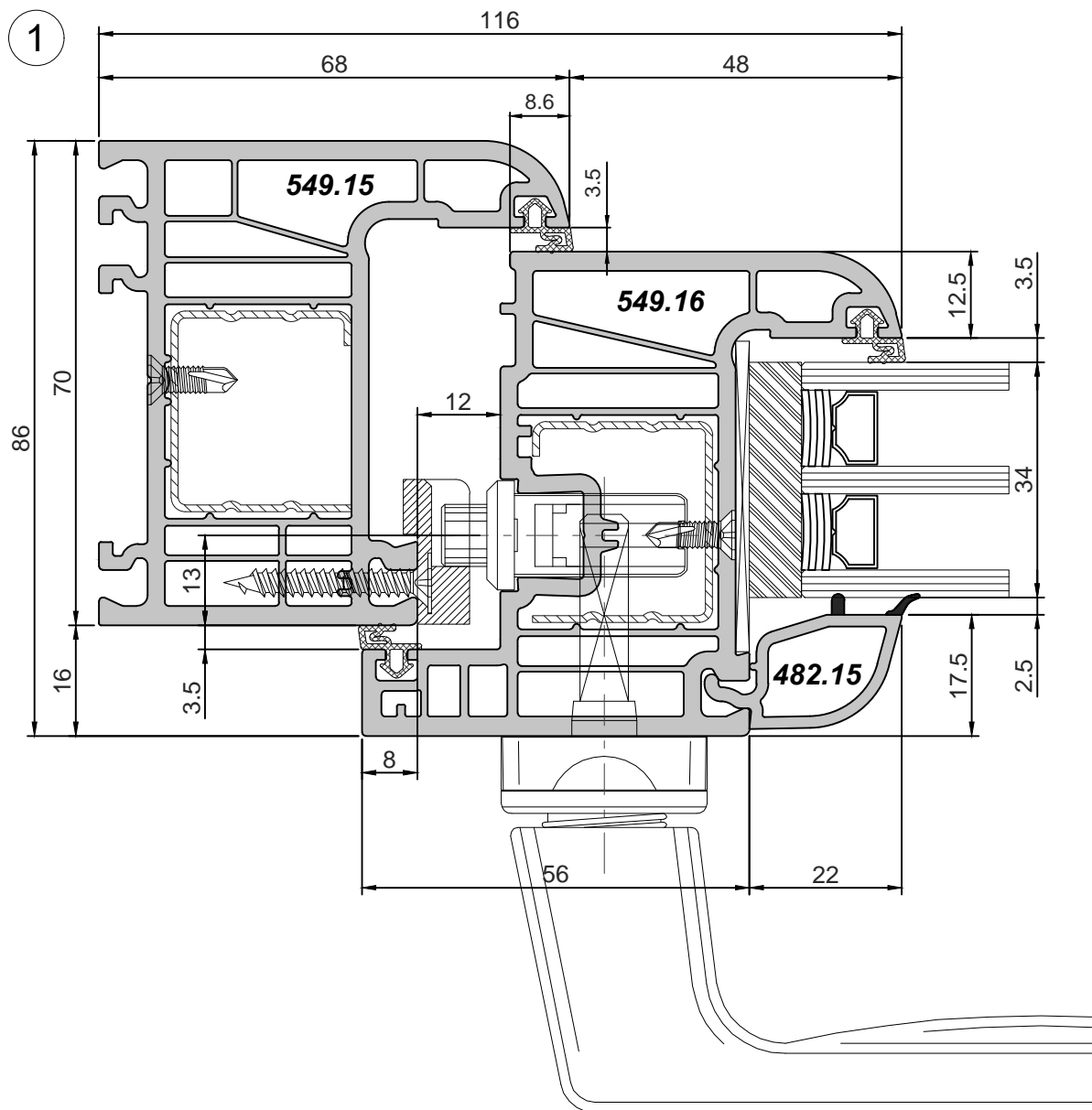
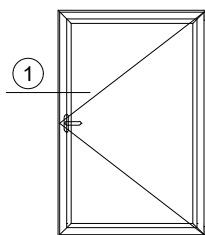


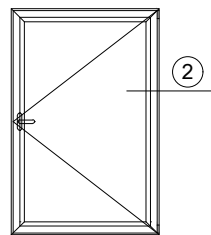
Exterior opening



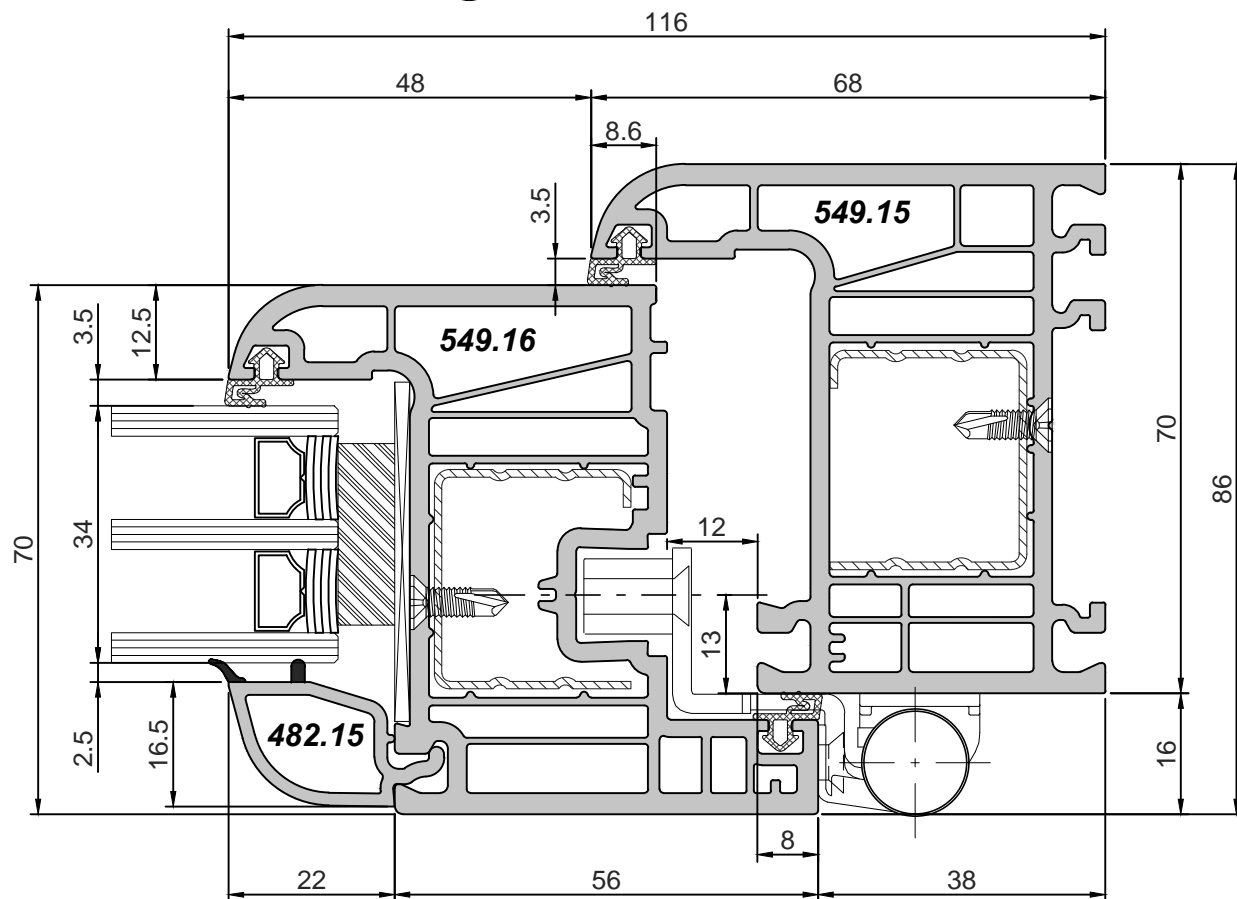
Exterior opening



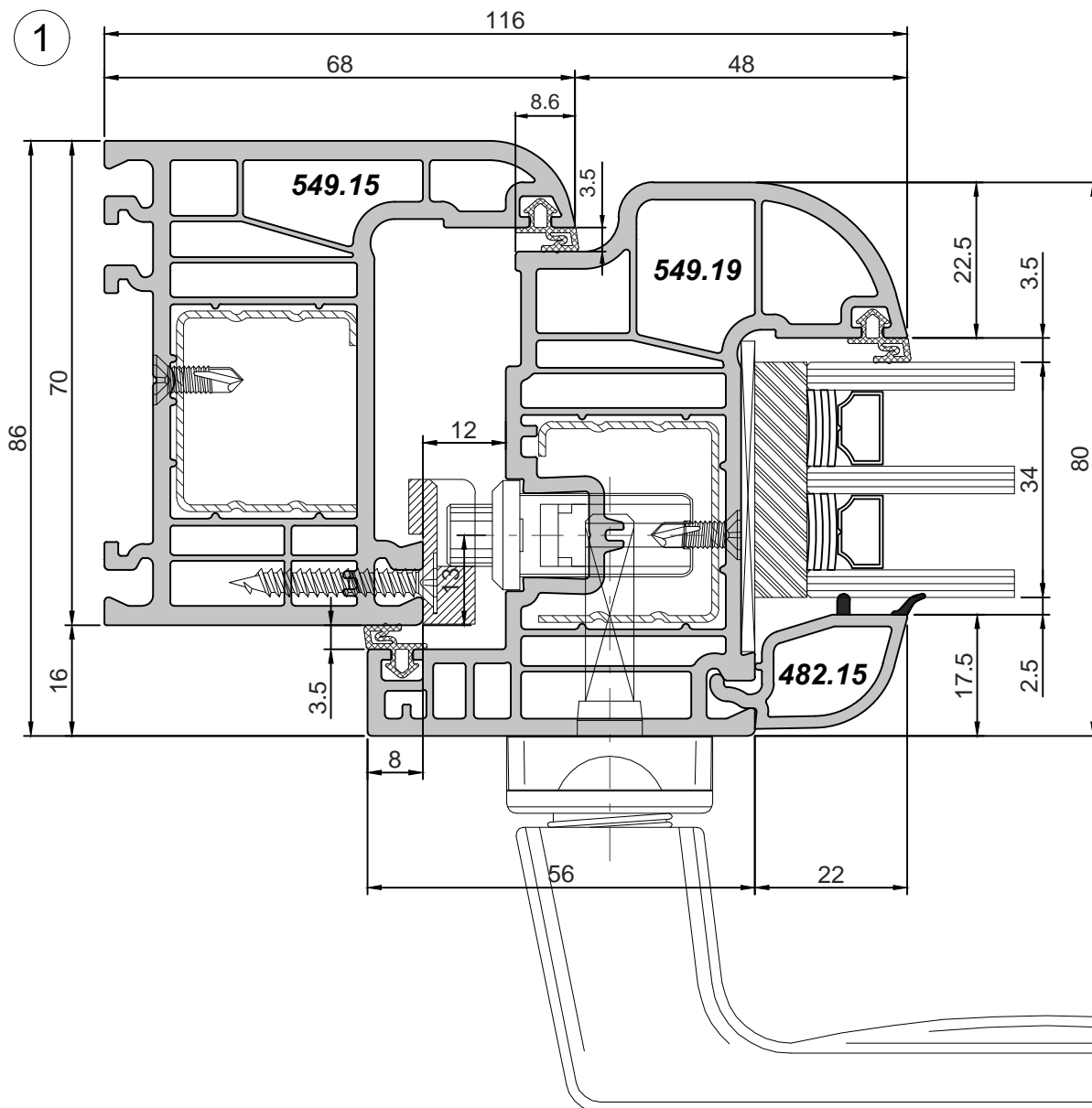
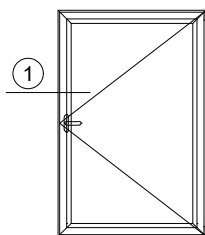


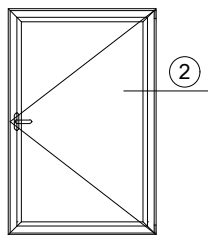


2

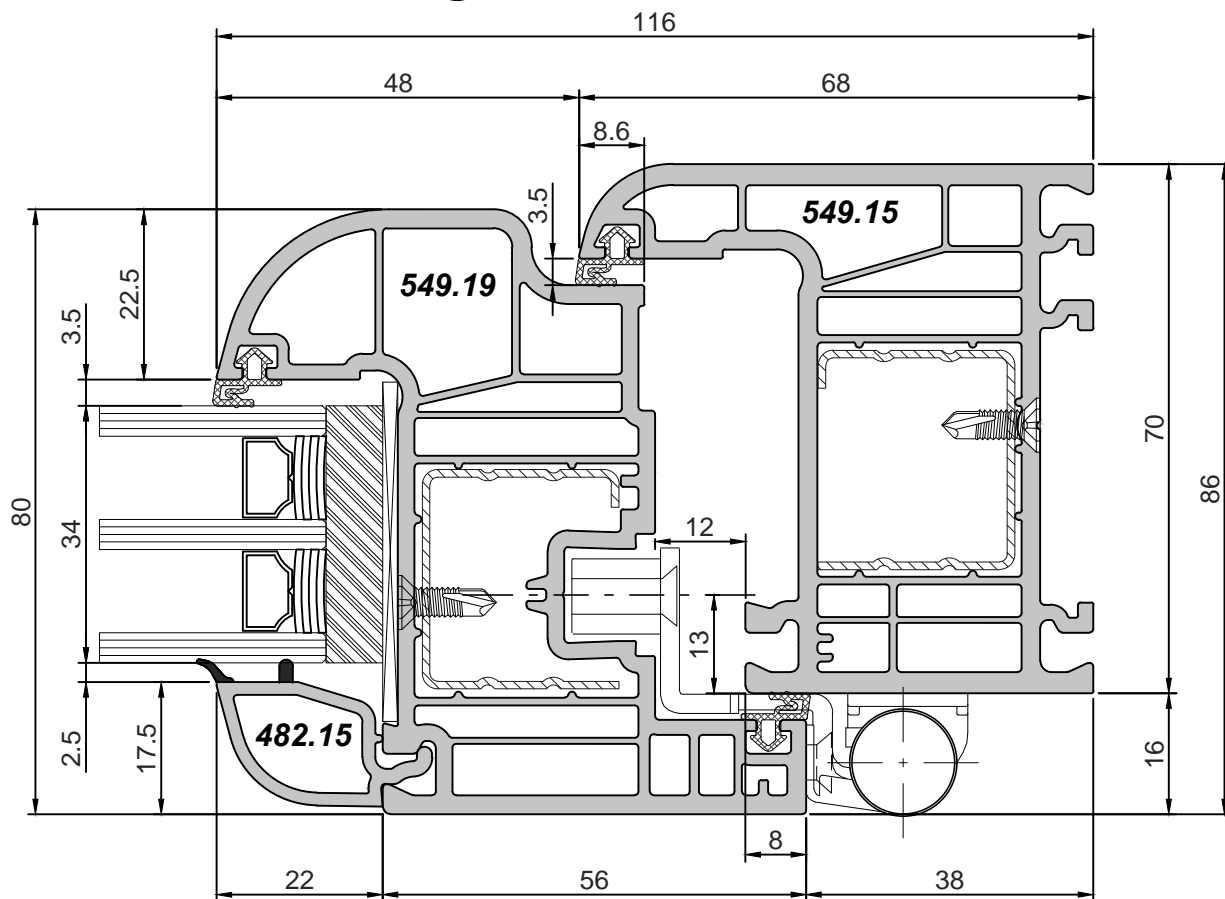


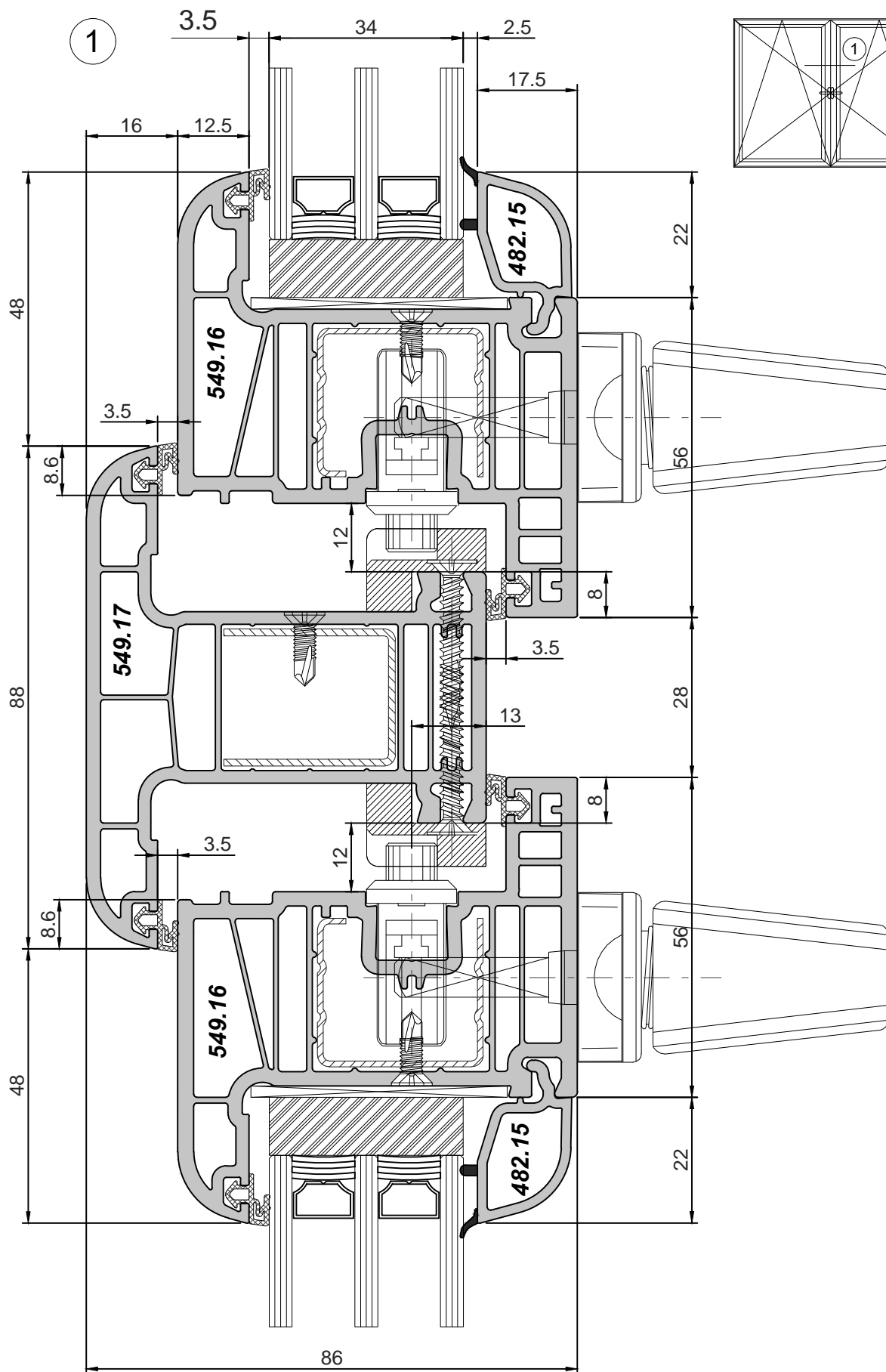


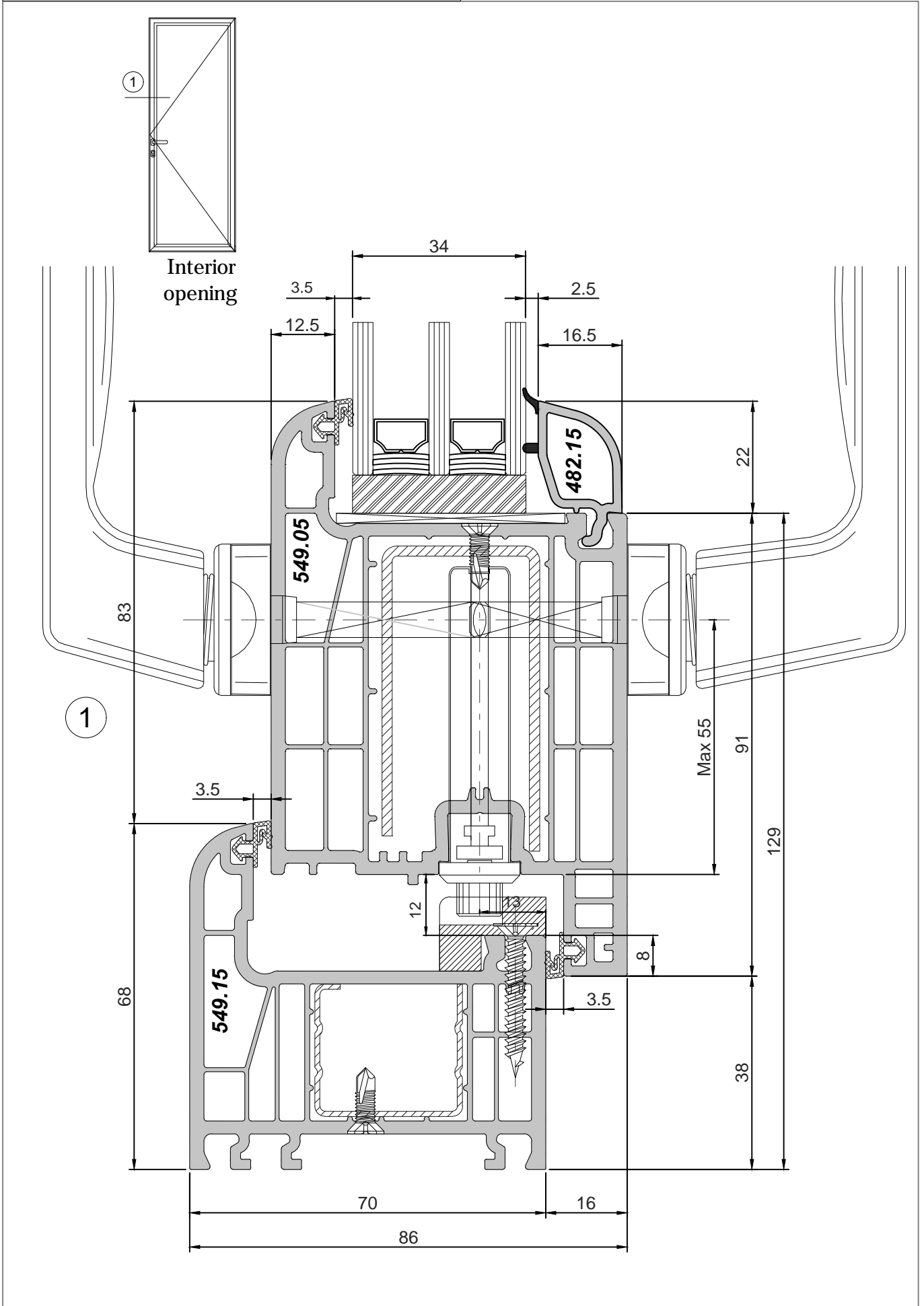


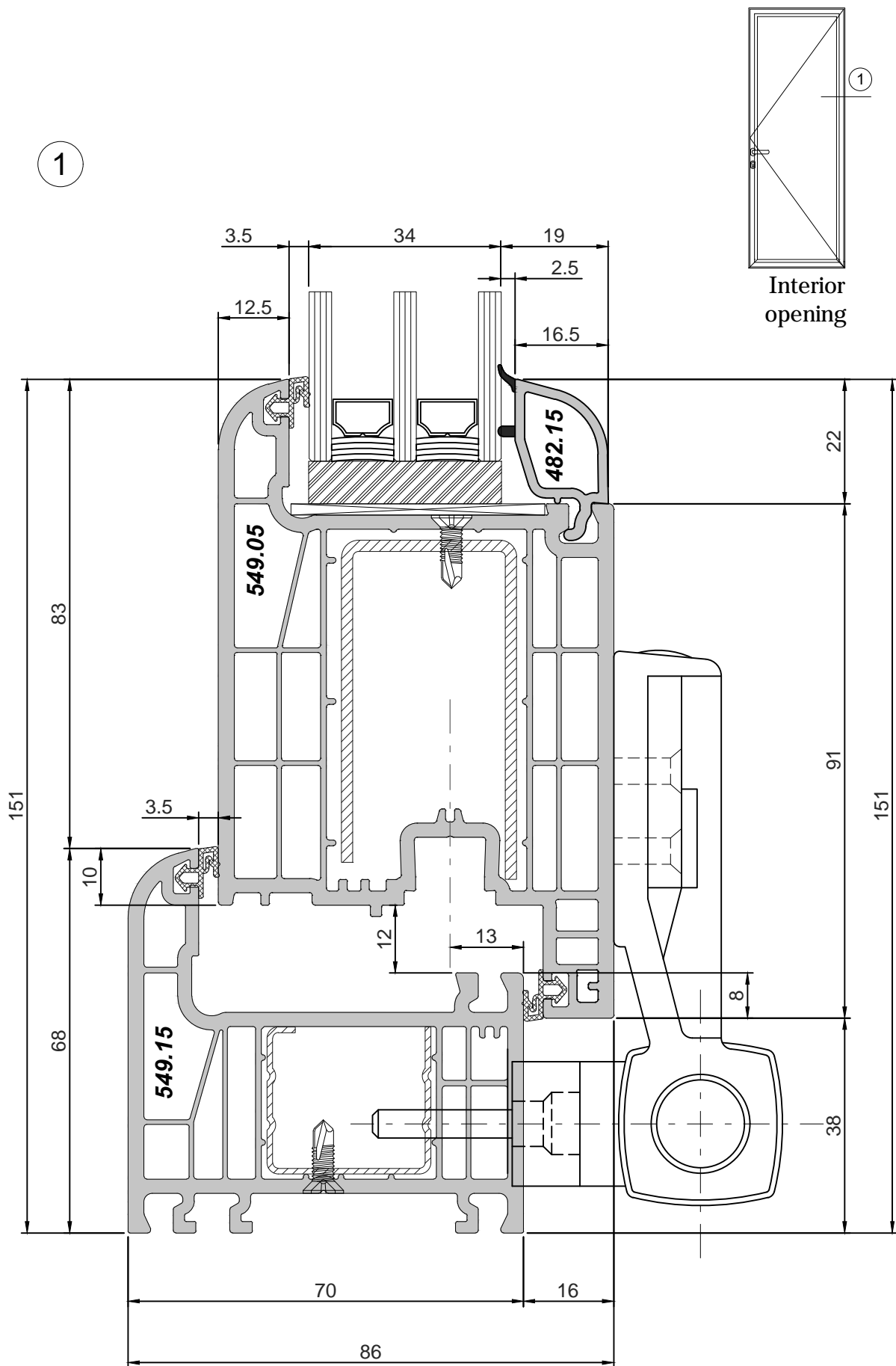


2



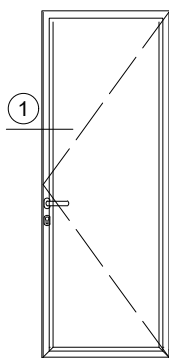






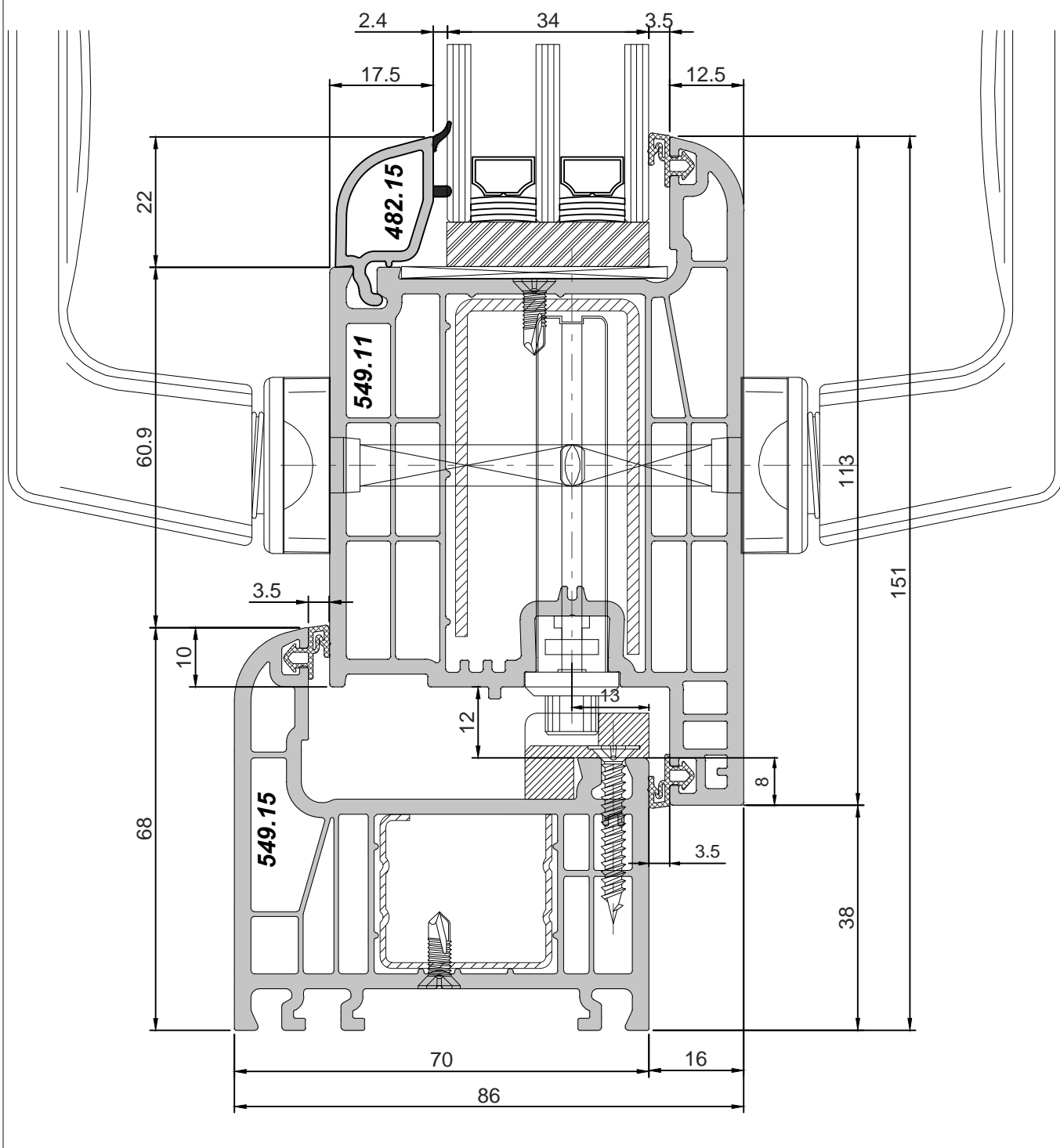
*PRESTIGE* /series 70mm/:  
sectional drawings

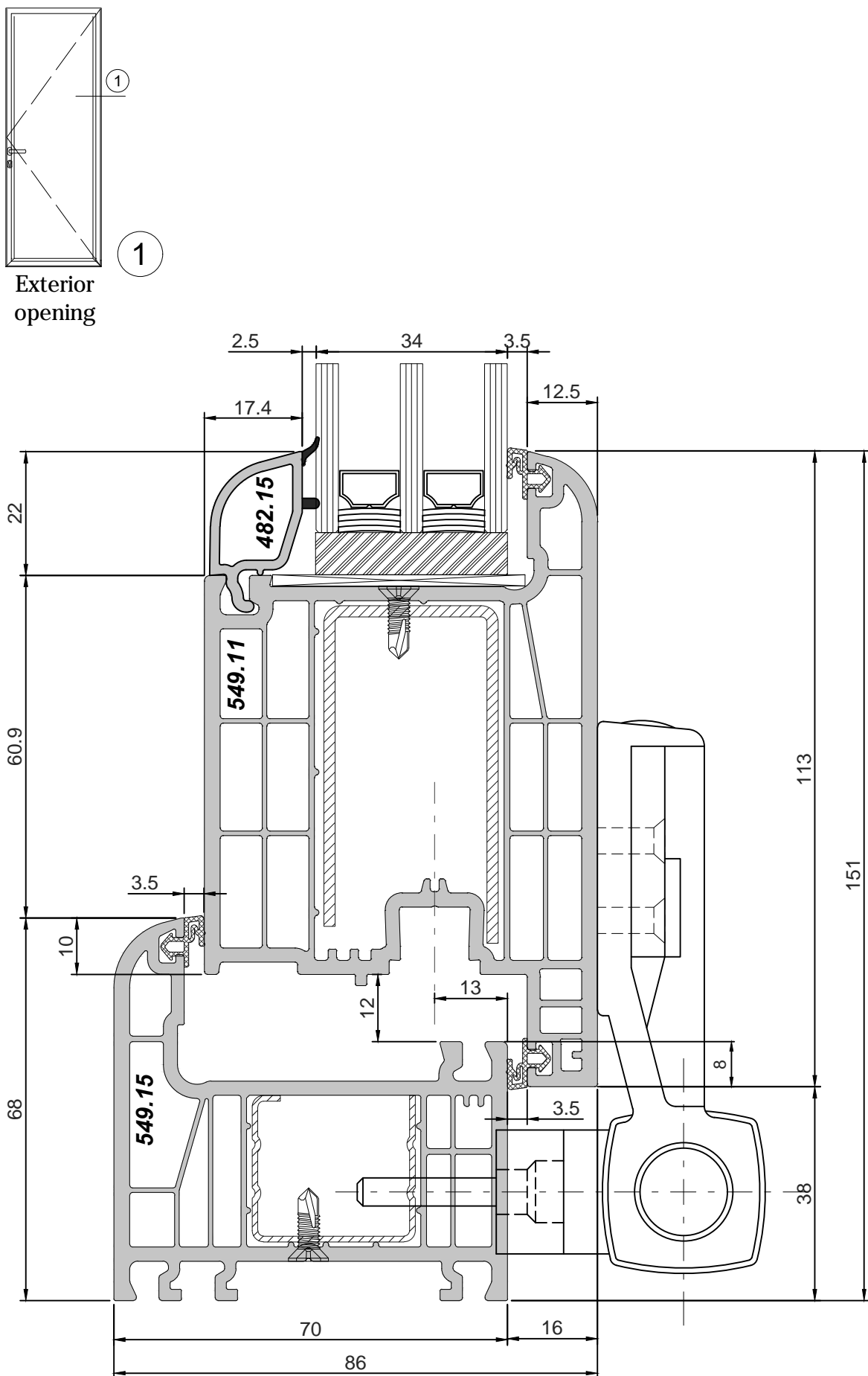
scale 1:1



Exterior opening

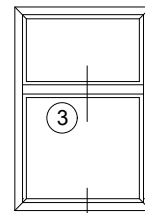
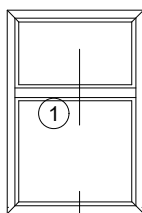
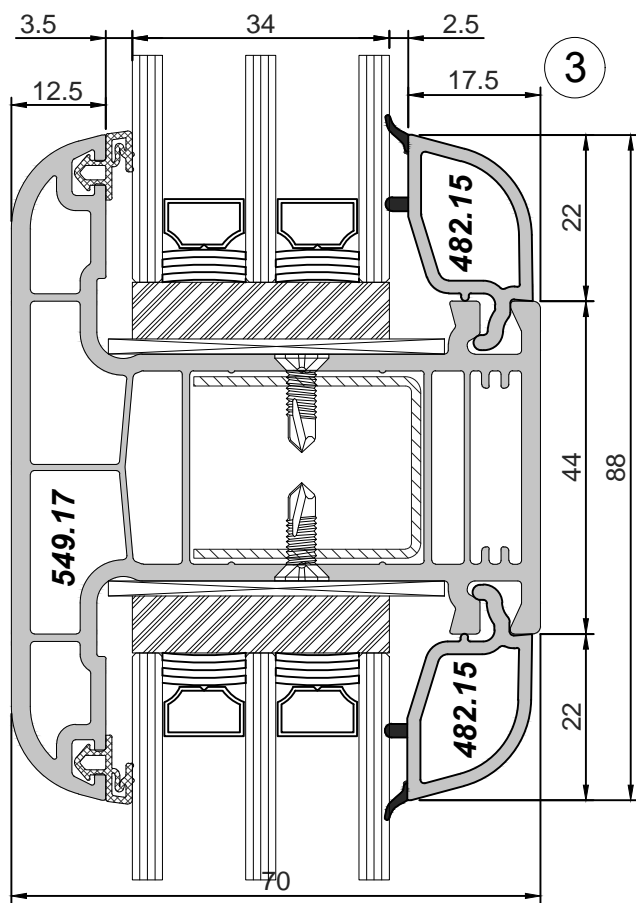
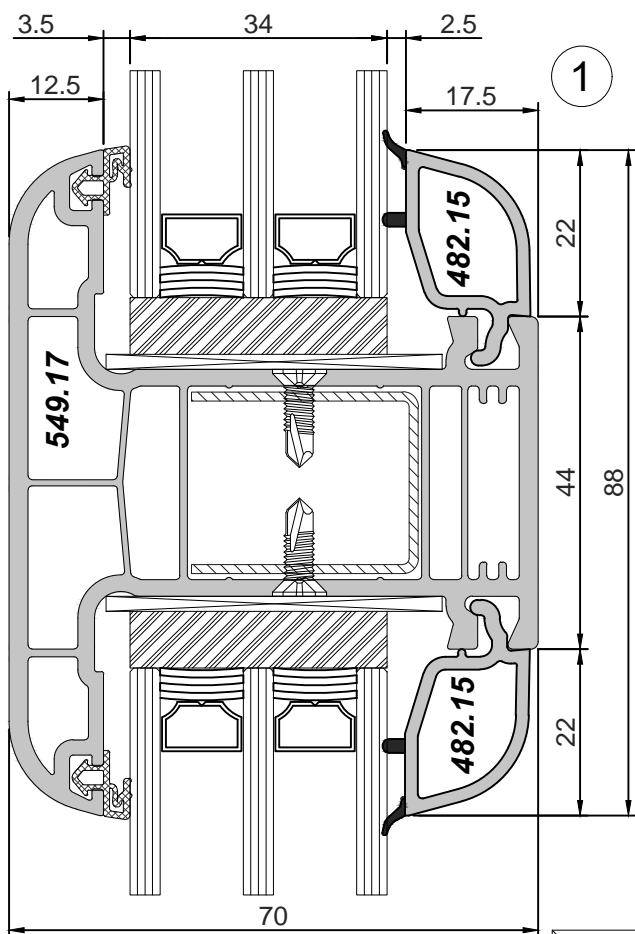
1





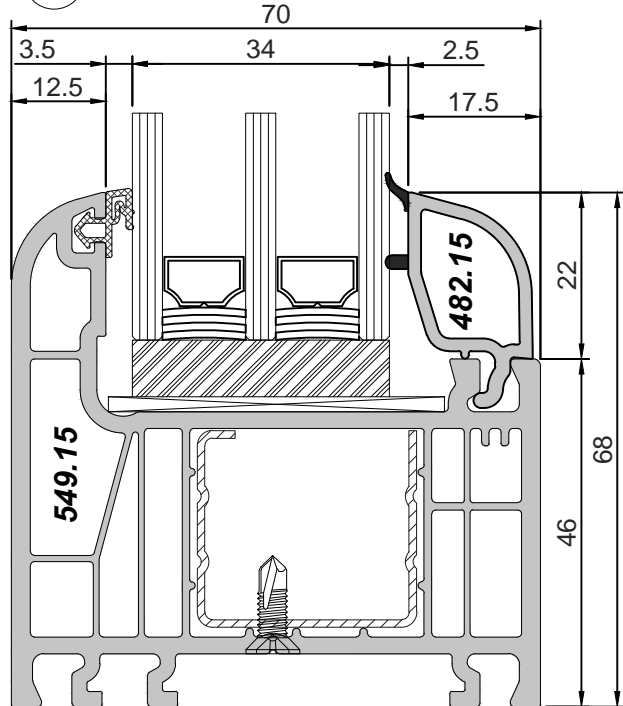
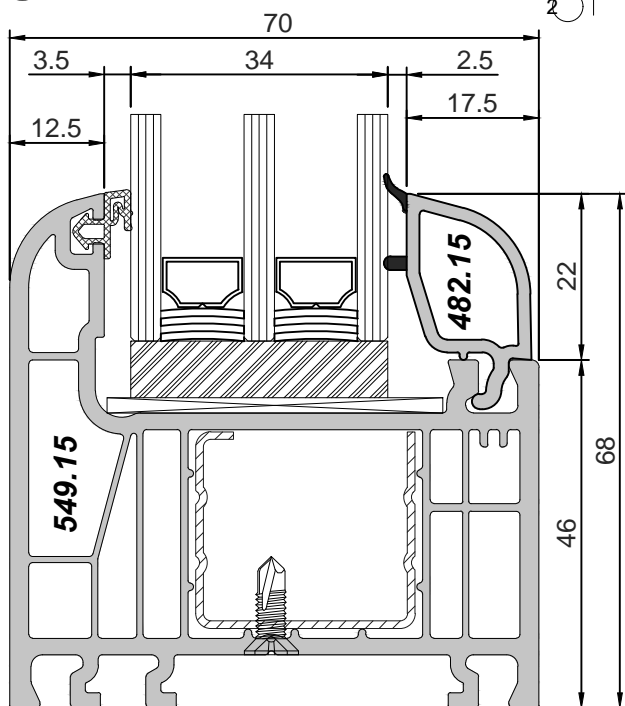
**PRESTIGE /series 70mm/:**  
sectional drawings

scale 1:1

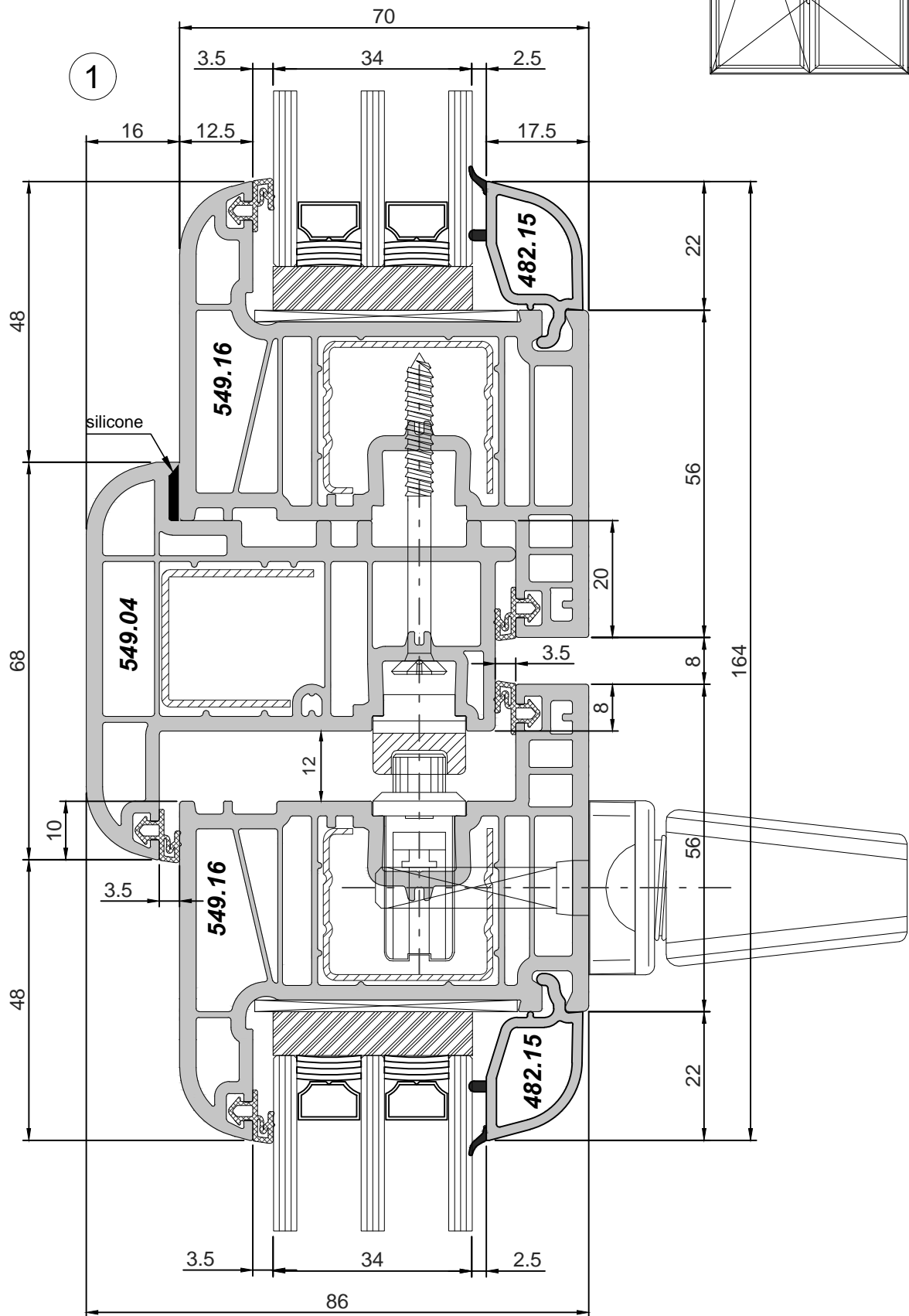


2

4

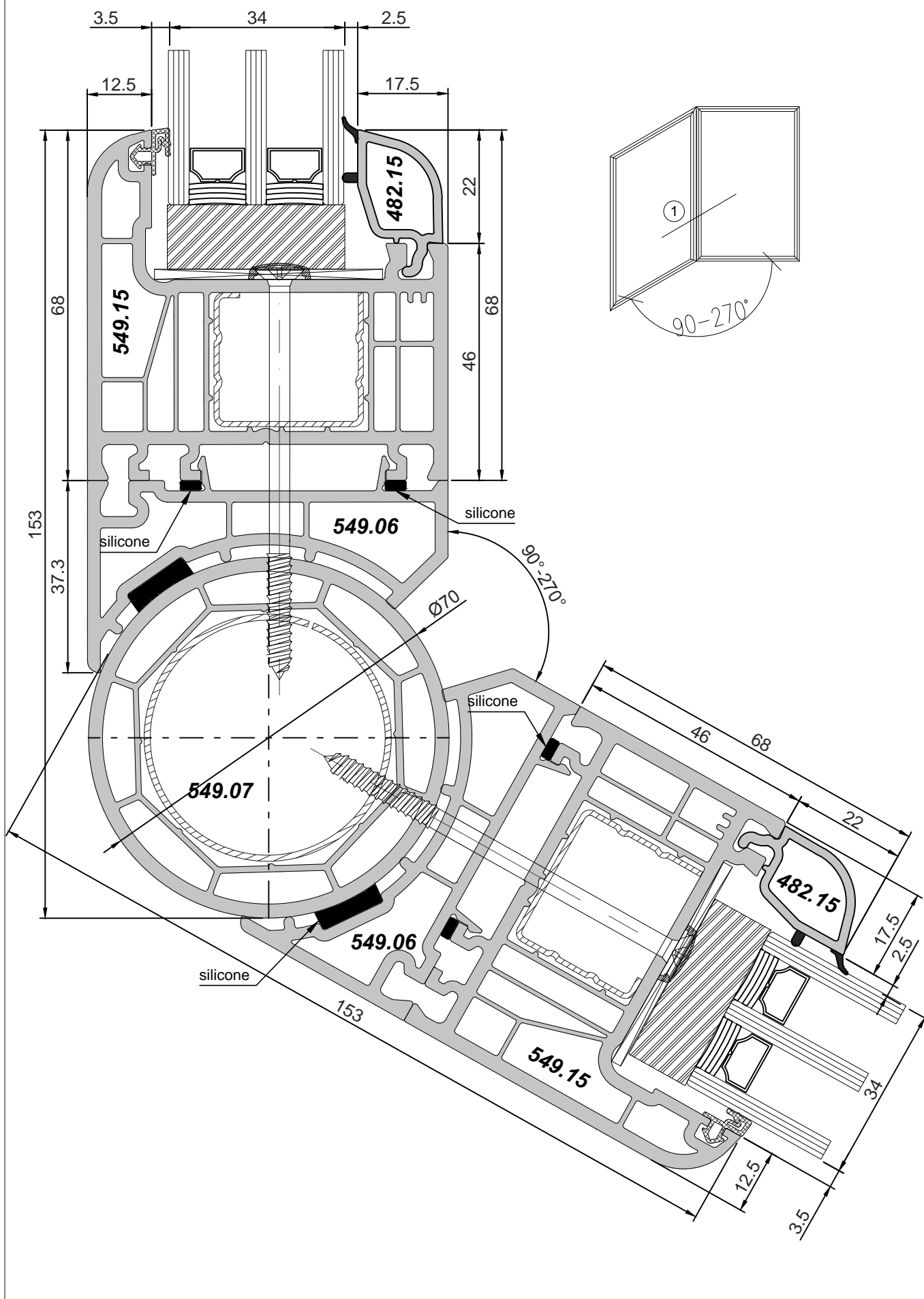






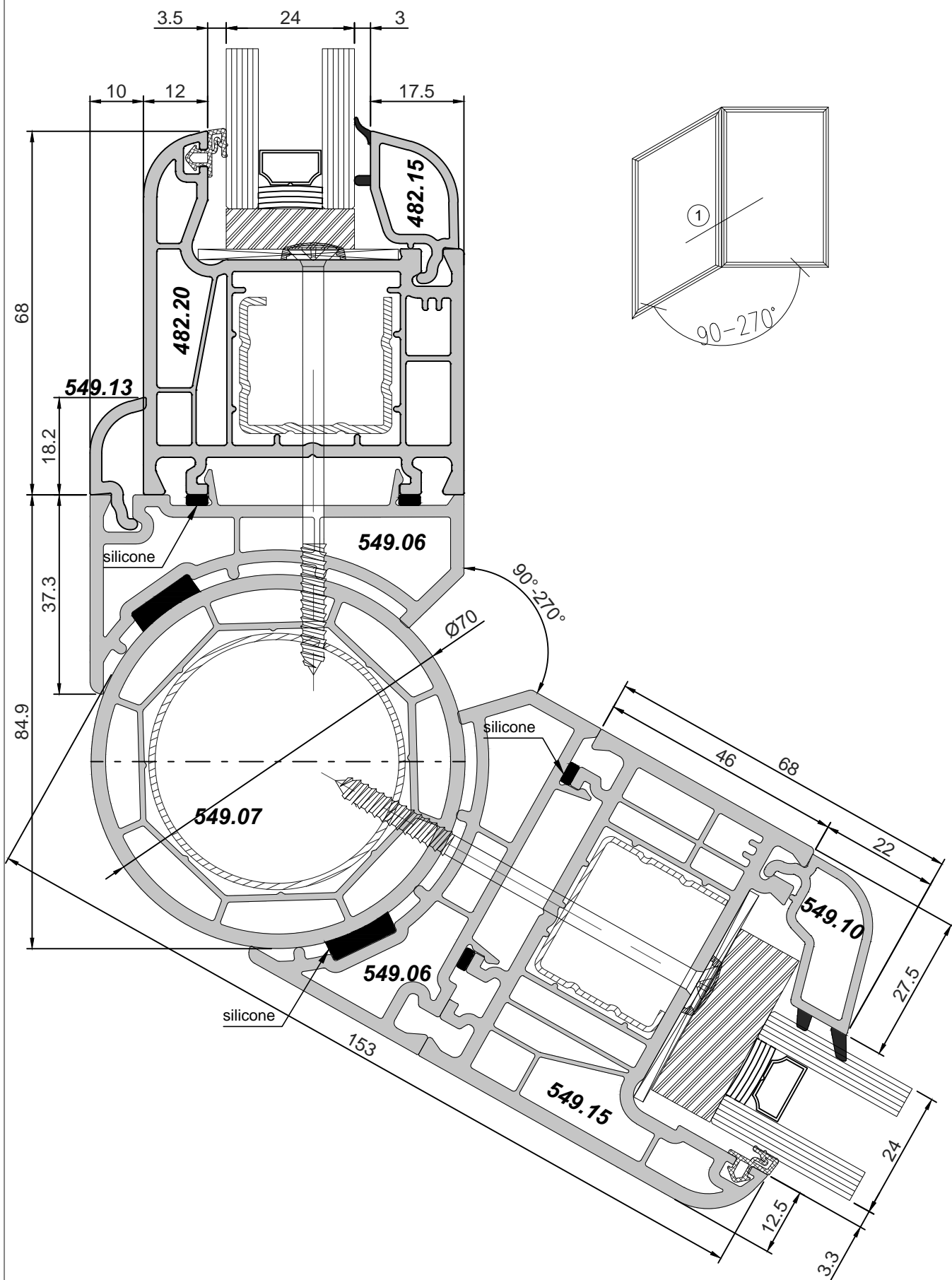
**PRESTIGE /series 70mm/:**  
**sectional drawings**

scale 1:1



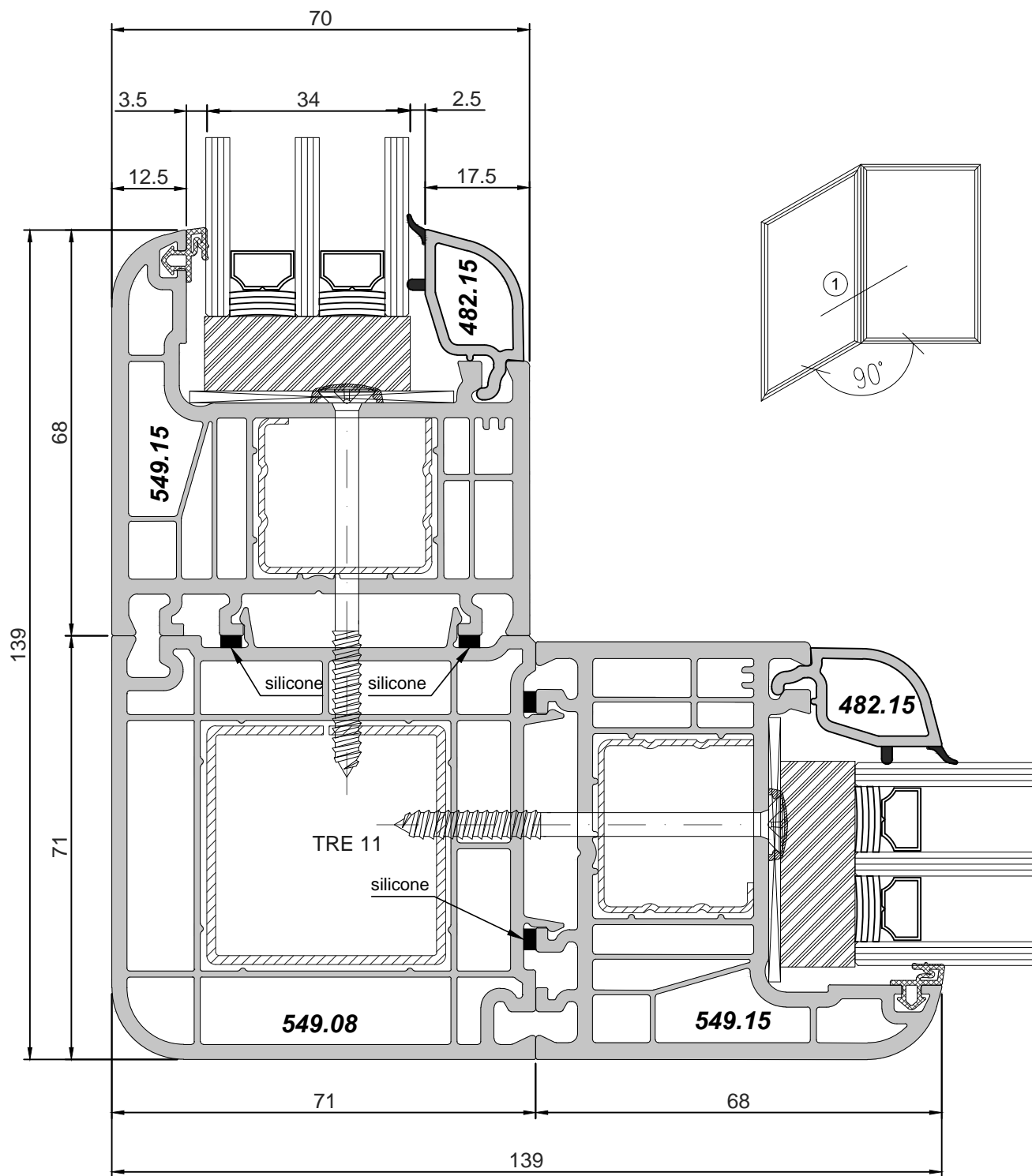
**PRESTIGE /series 70mm/:**  
**sectional drawings**

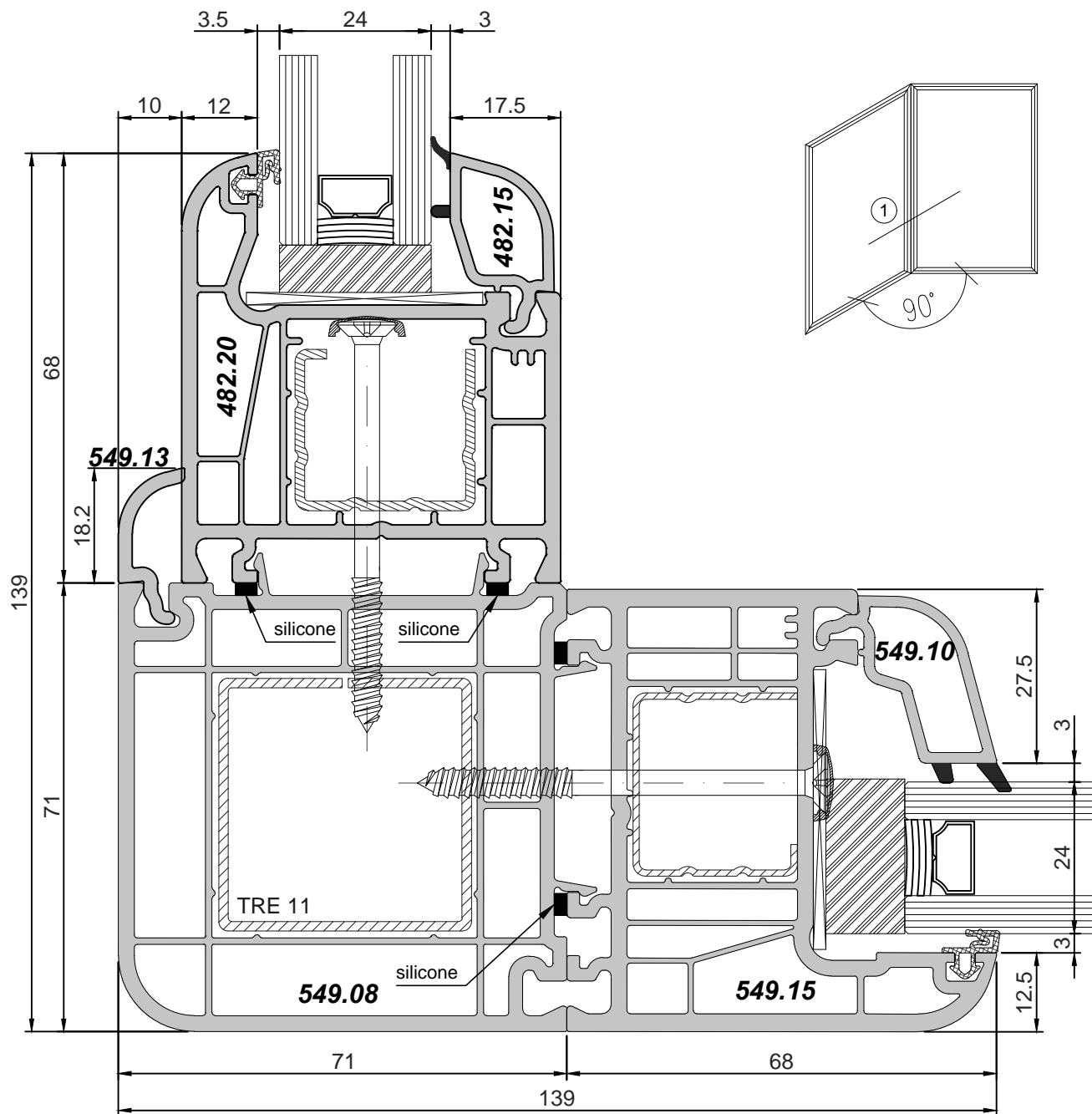
scale 1:1



*PRESTIGE* /series 70mm/:  
sectional drawings

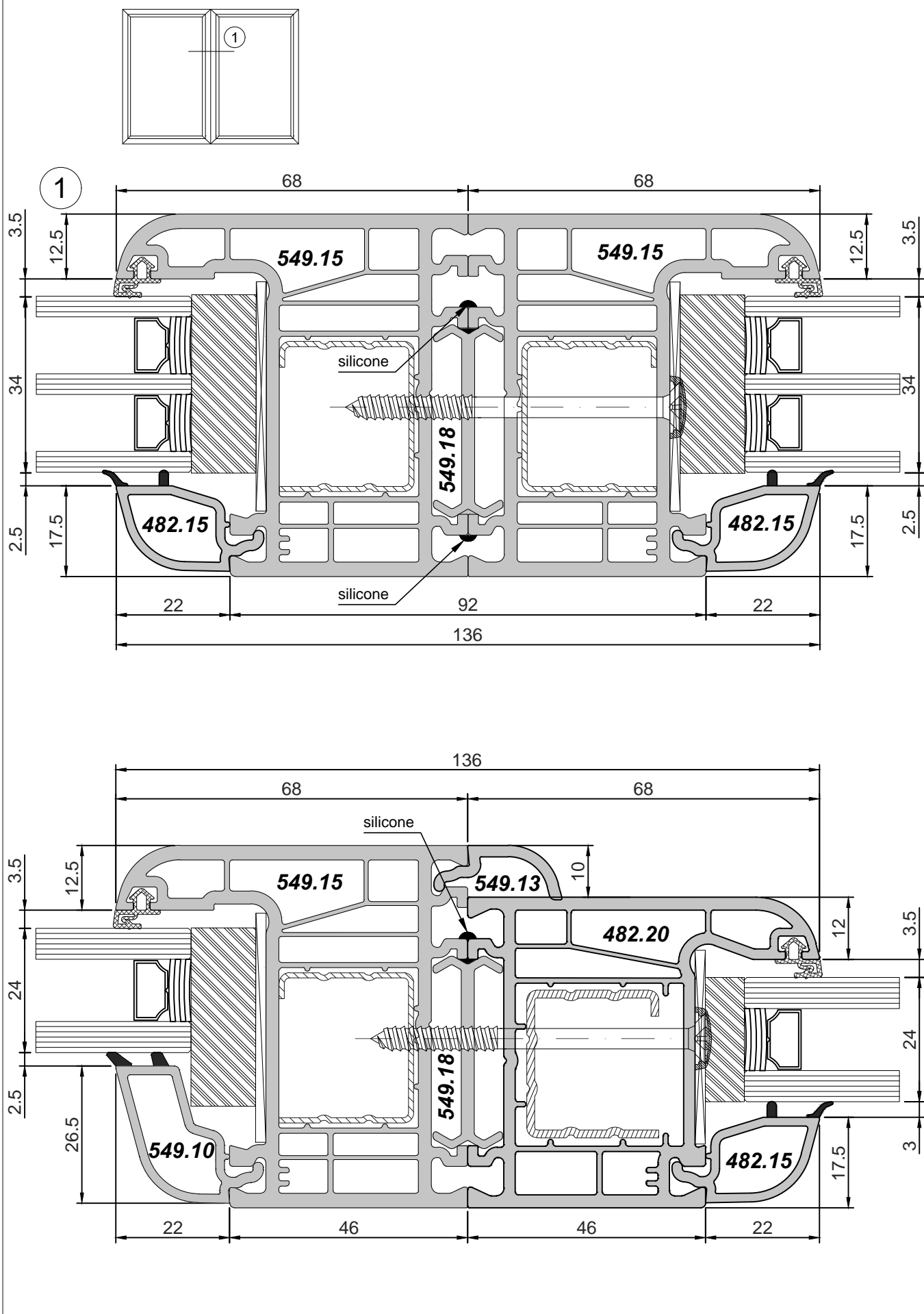
scale 1:1





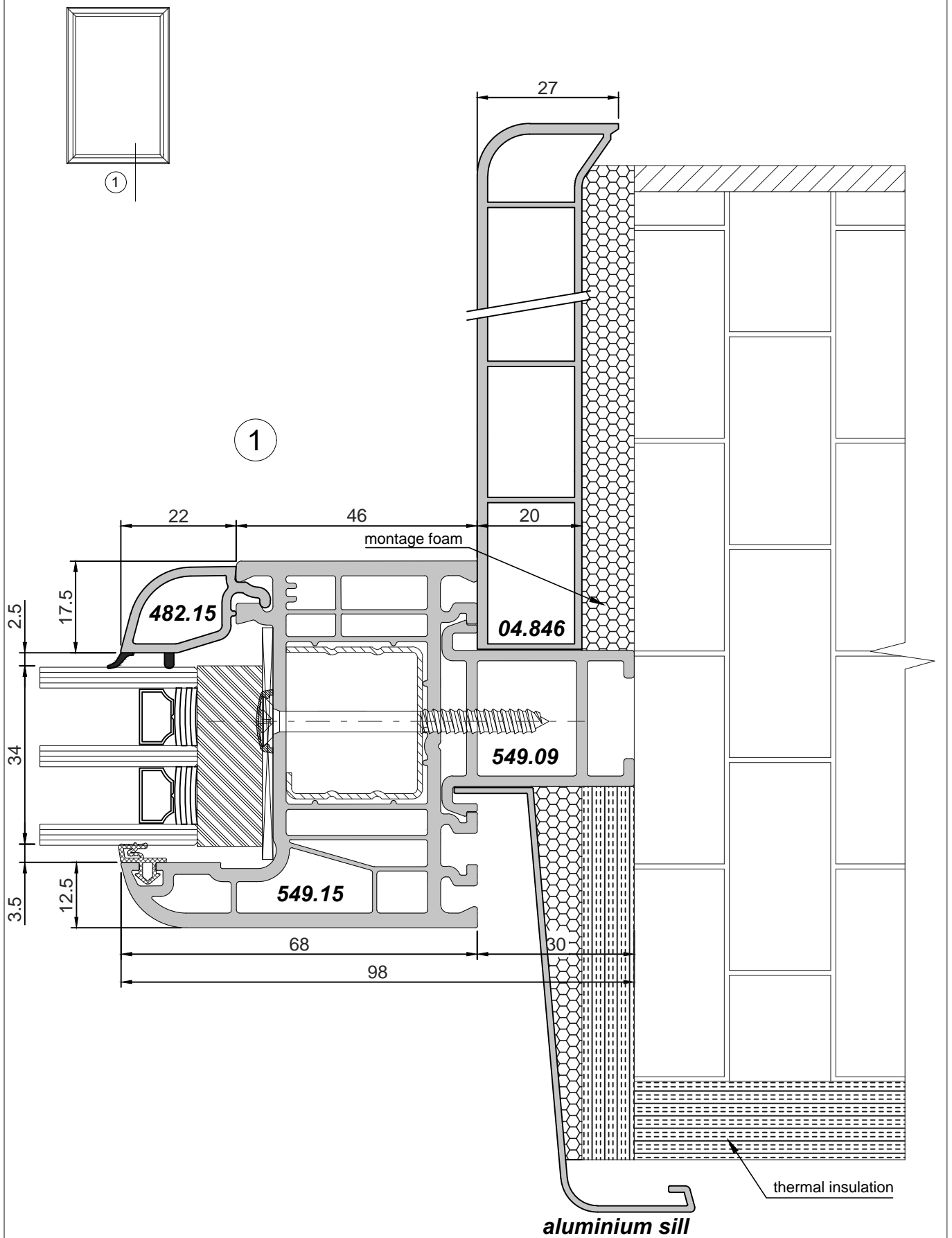
**PRESTIGE /series 70mm/:**  
**sectional drawings**

scale 1:1



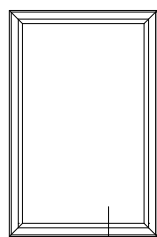
*PRESTIGE* /series 70mm/:  
sectional drawings

scale 1:1

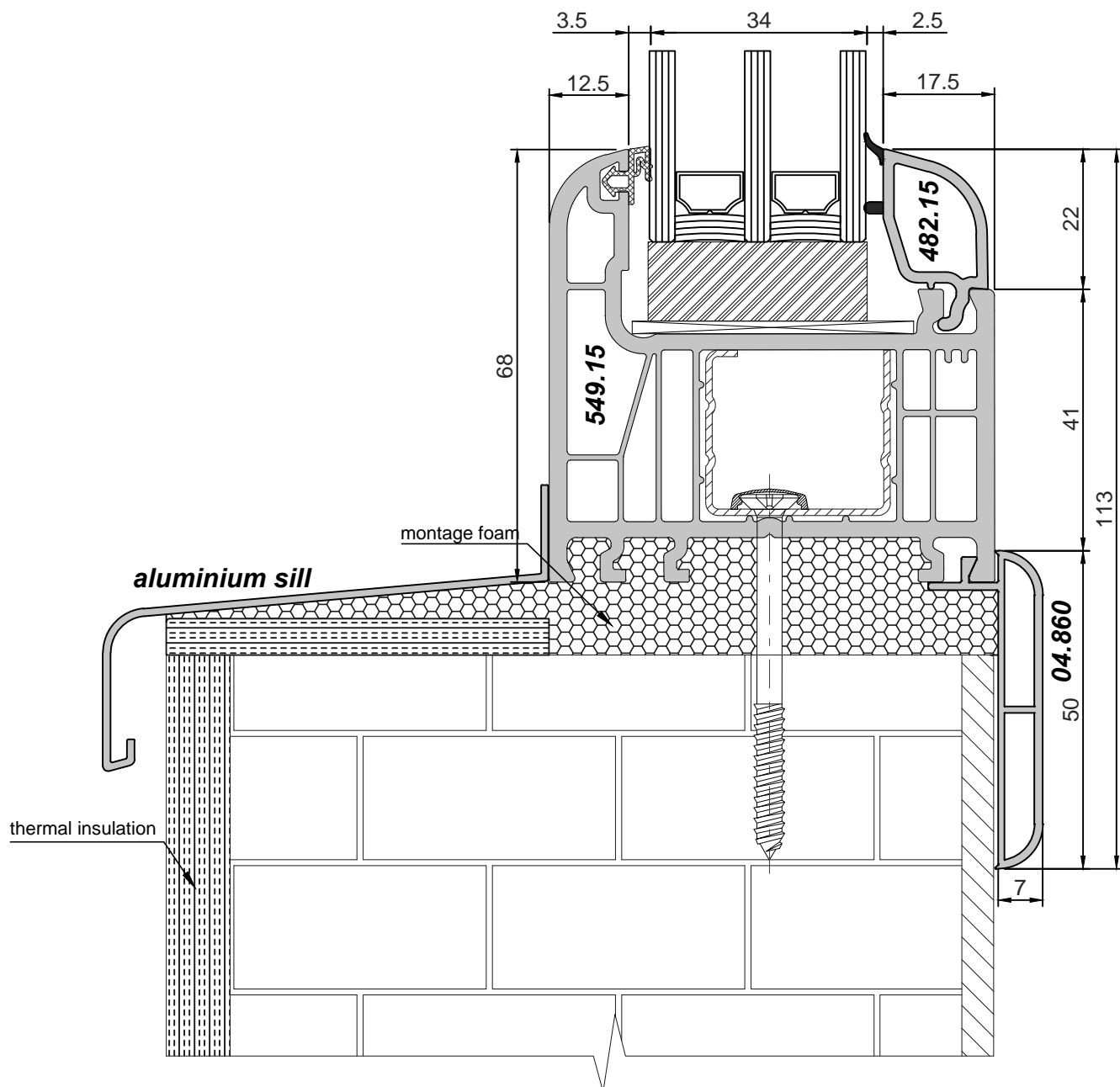


*PRESTIGE* /series 70mm/:  
sectional drawings

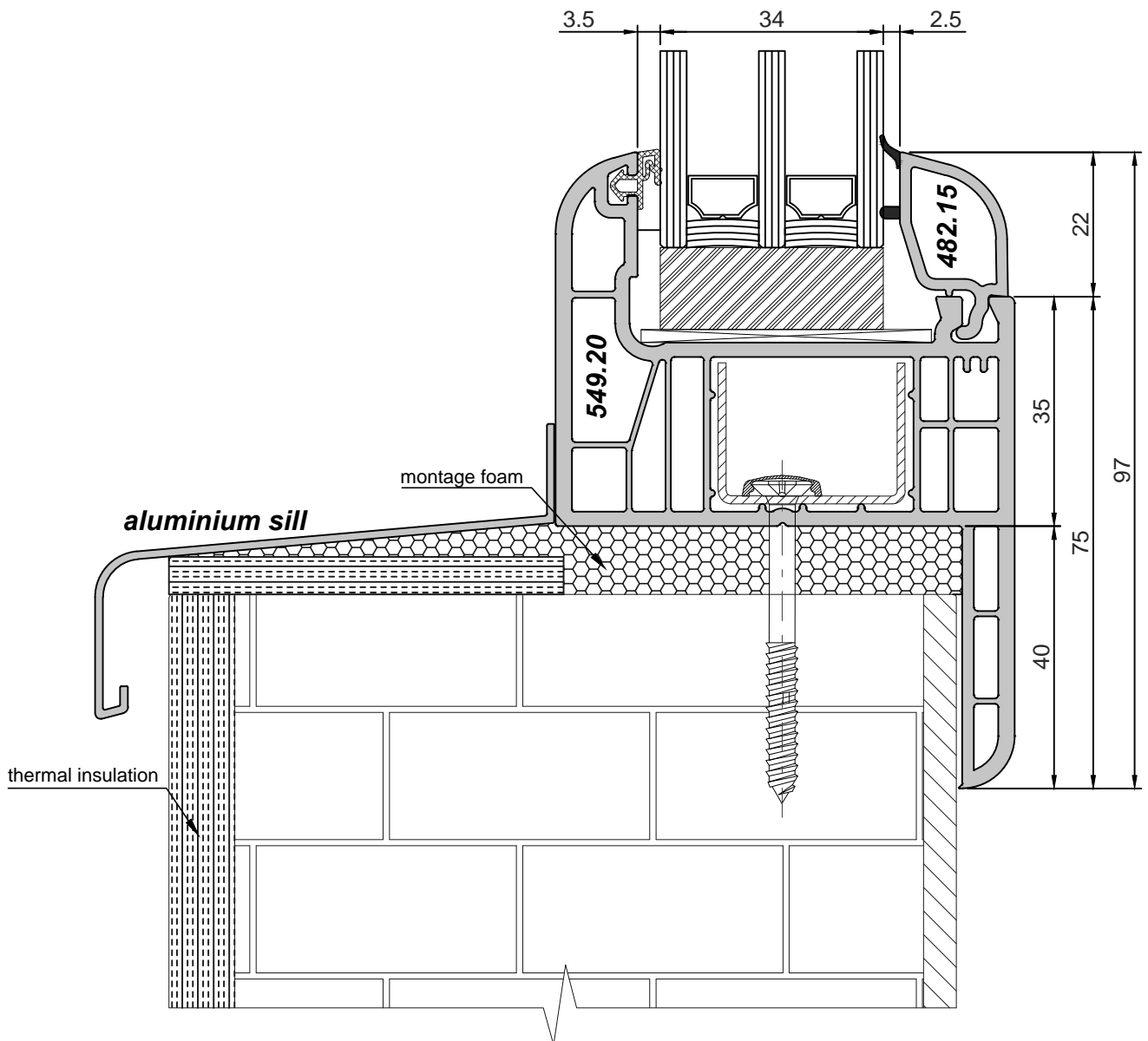
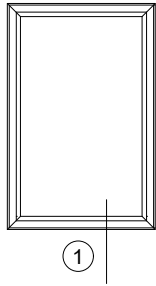
scale 1:1

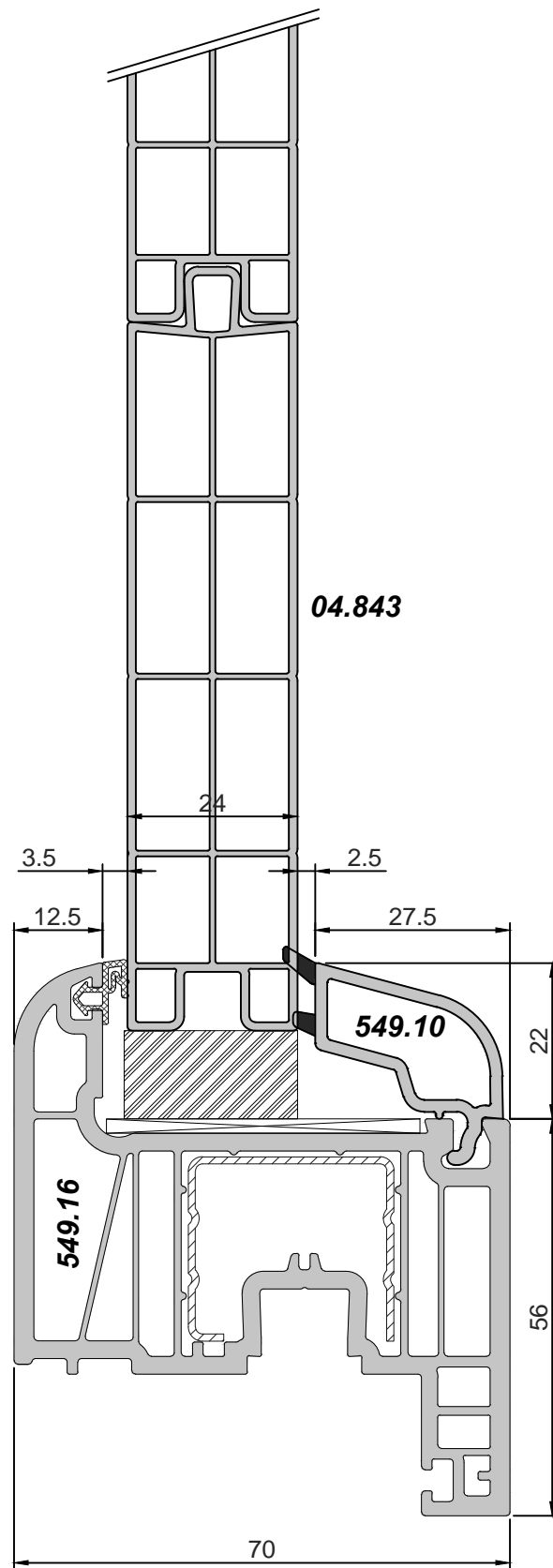
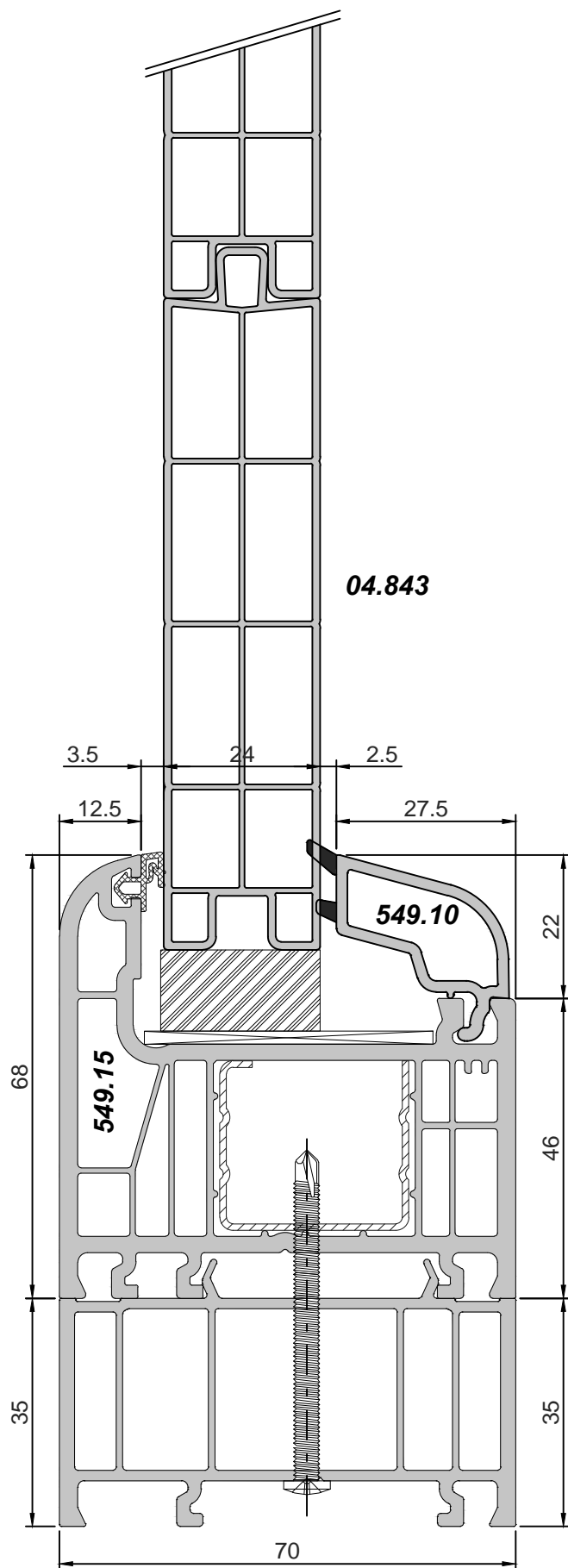


①

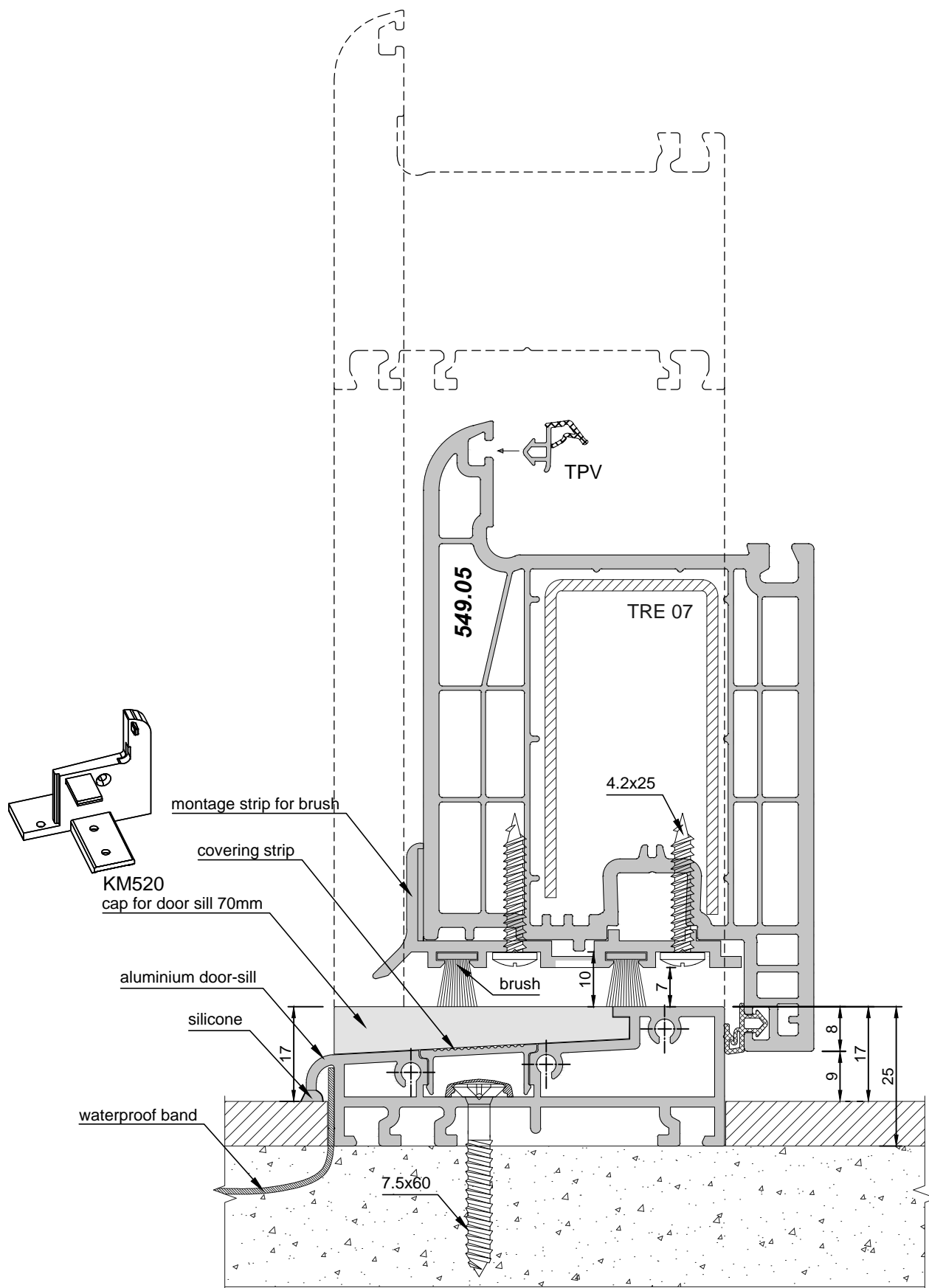




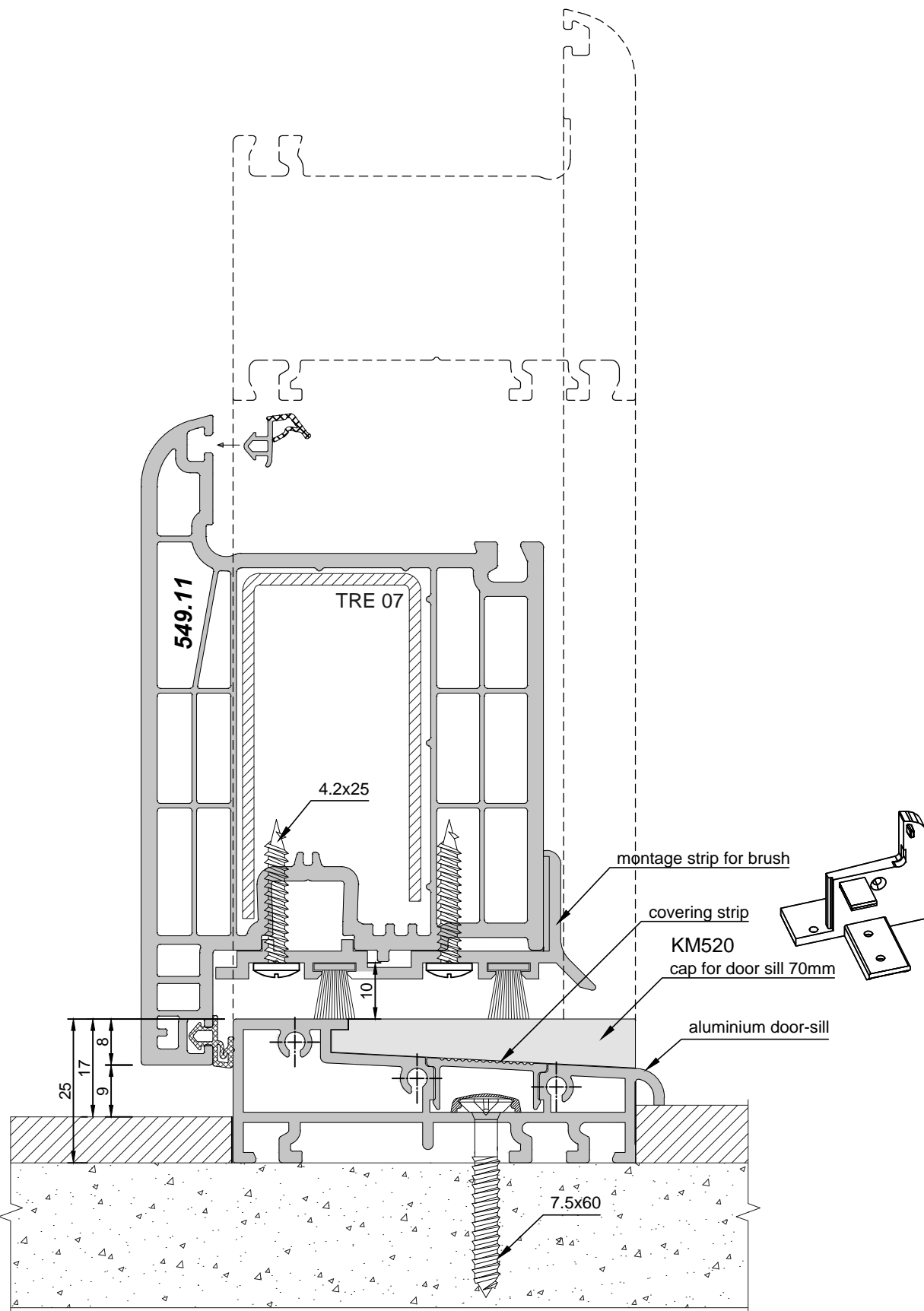




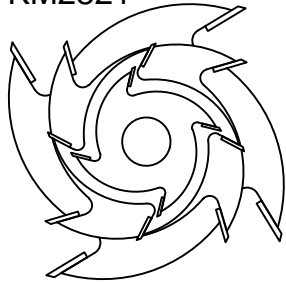
### Scheme aluminium door sill 70mm



### Scheme aluminium door sill 70mm

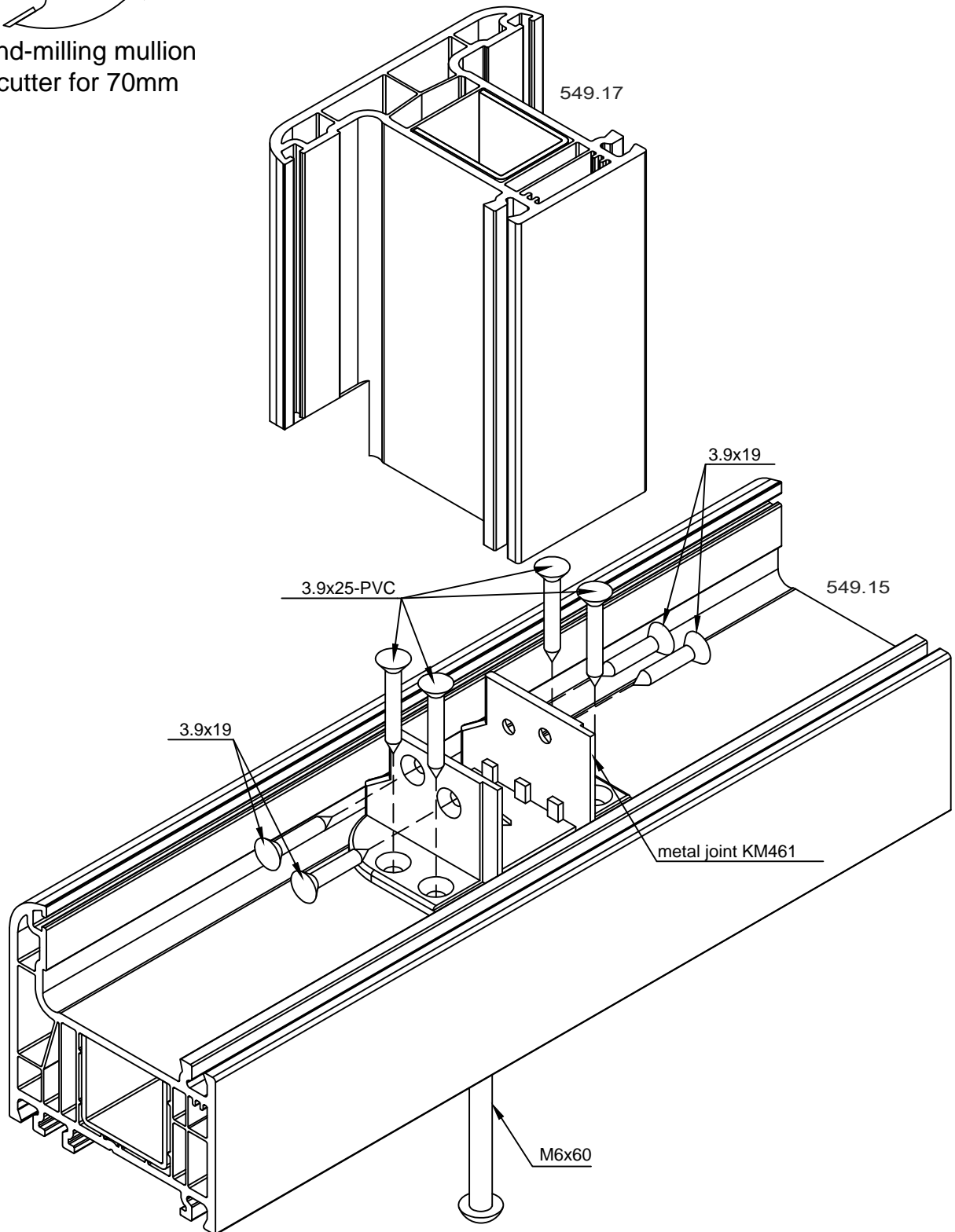


KM2821

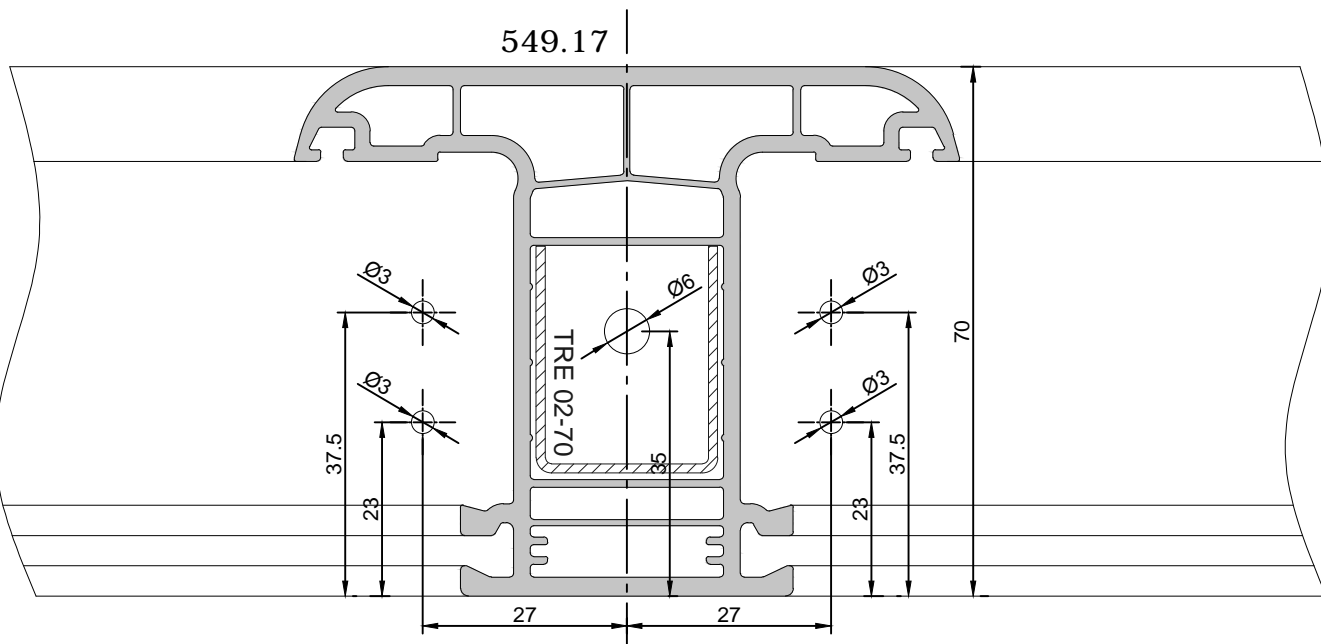
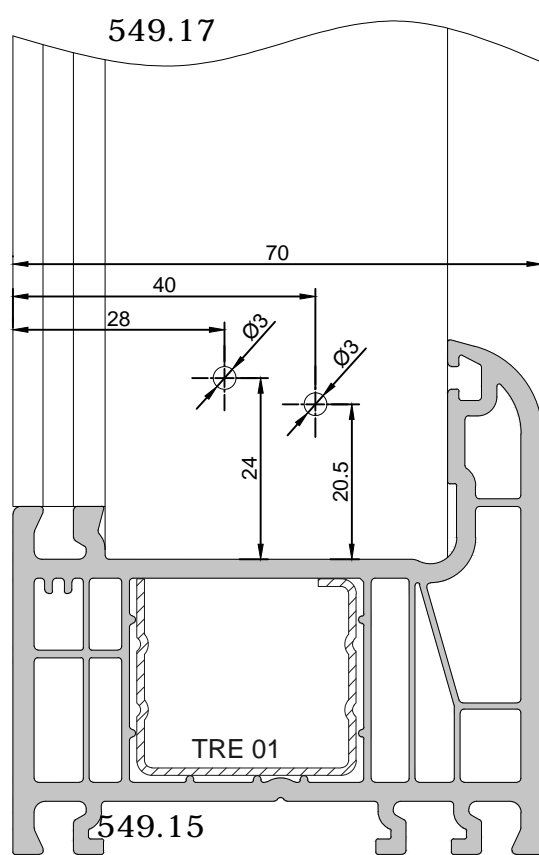
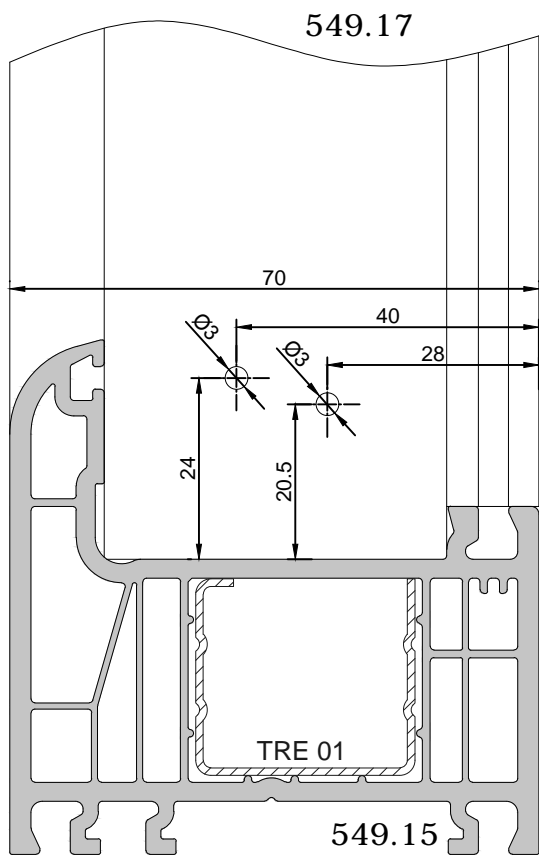


End-milling mullion  
cutter for 70mm

Scheme mullion - frame 70mm



### Scheme mullion - frame 70mm

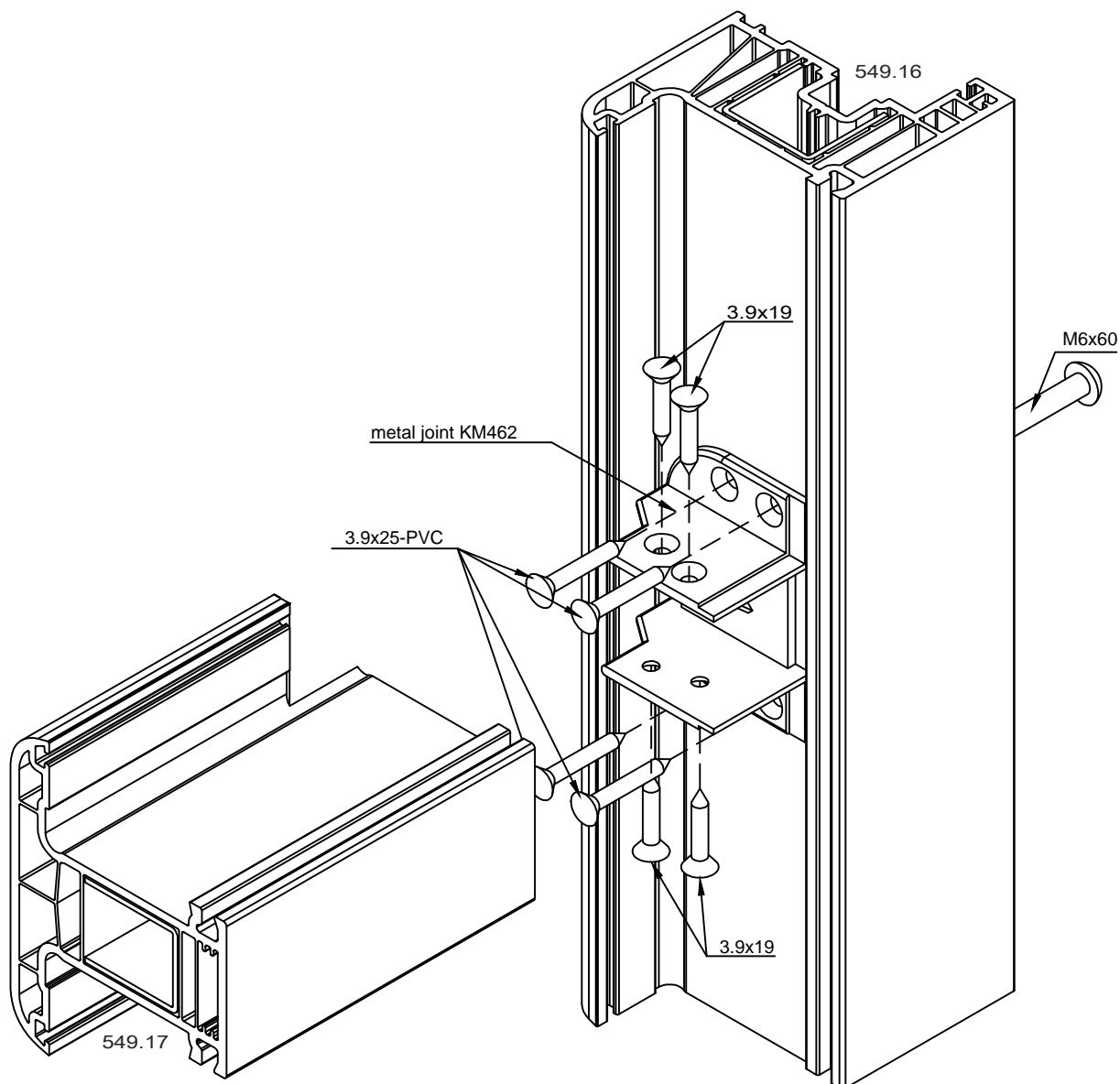


KM2821

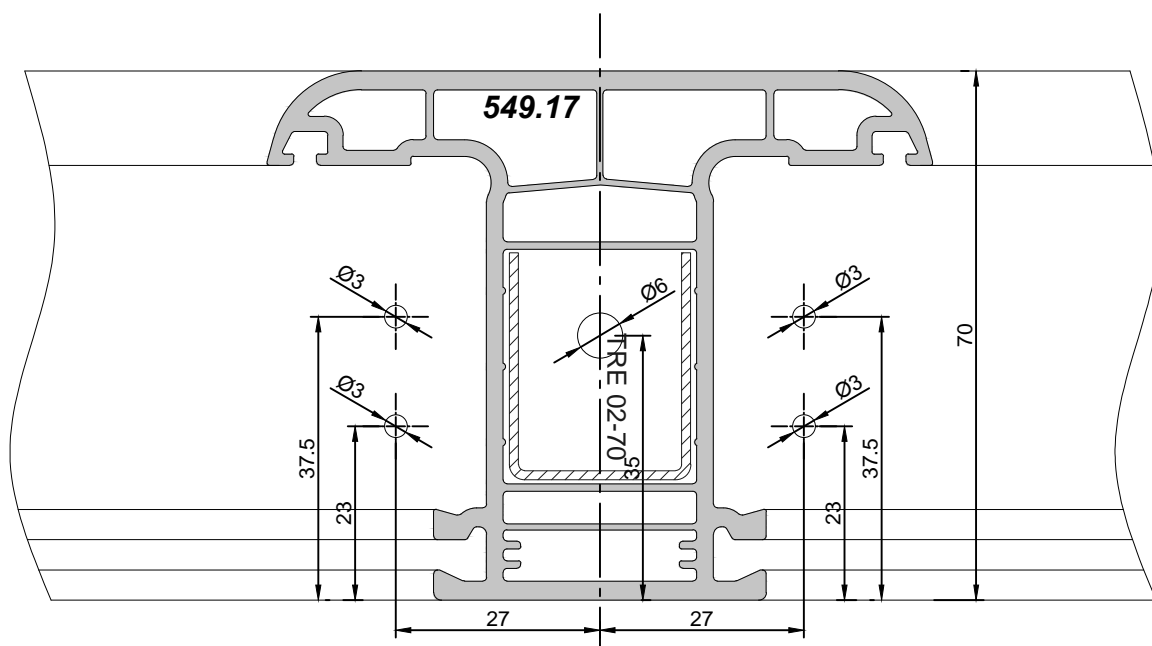
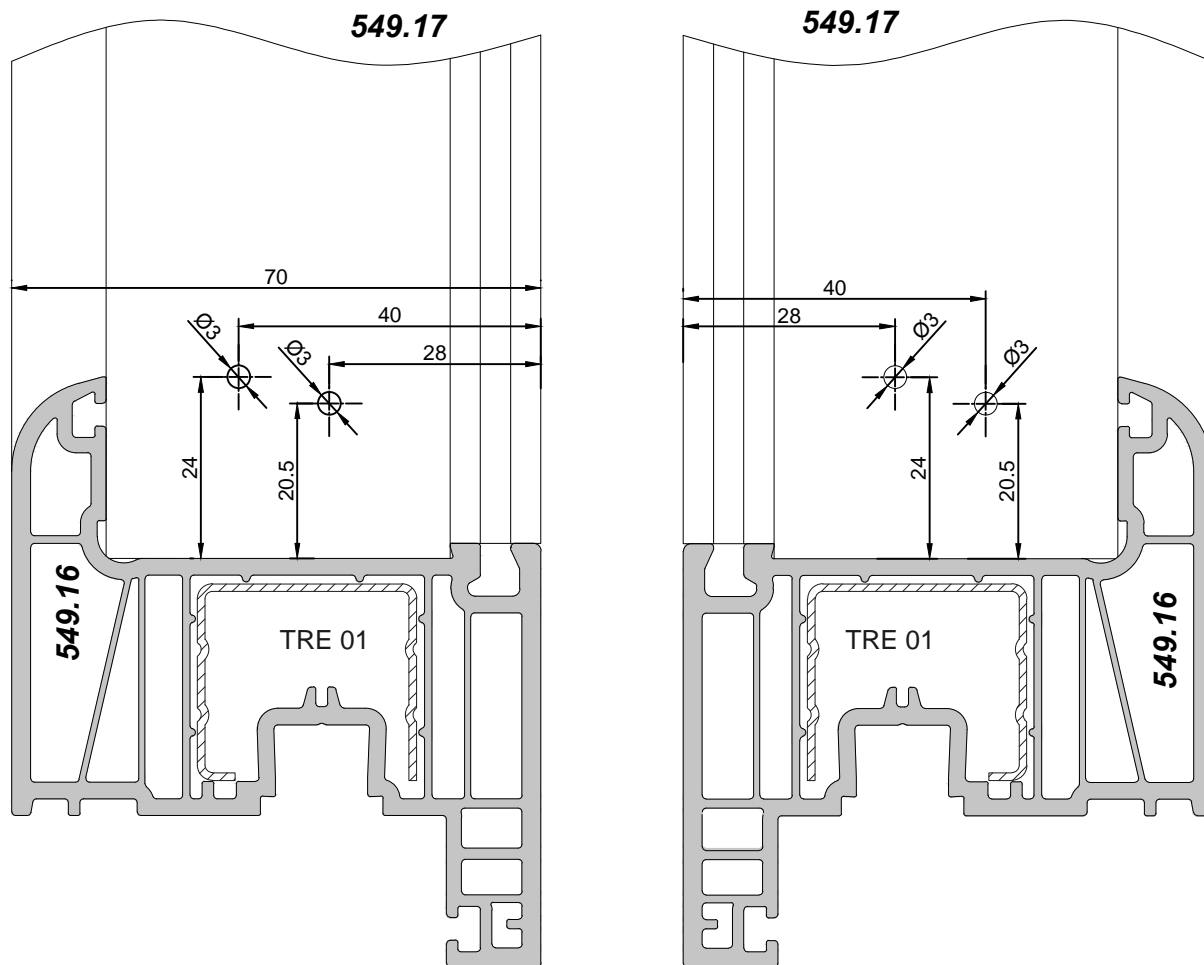


End-milling mullion  
cutter for 70mm

Scheme mullion - sash 70mm

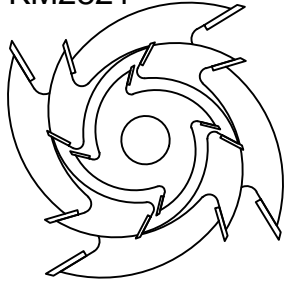


### Scheme mullion - sash 70mm



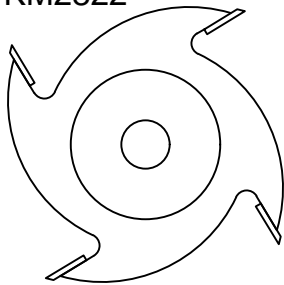


KM2821



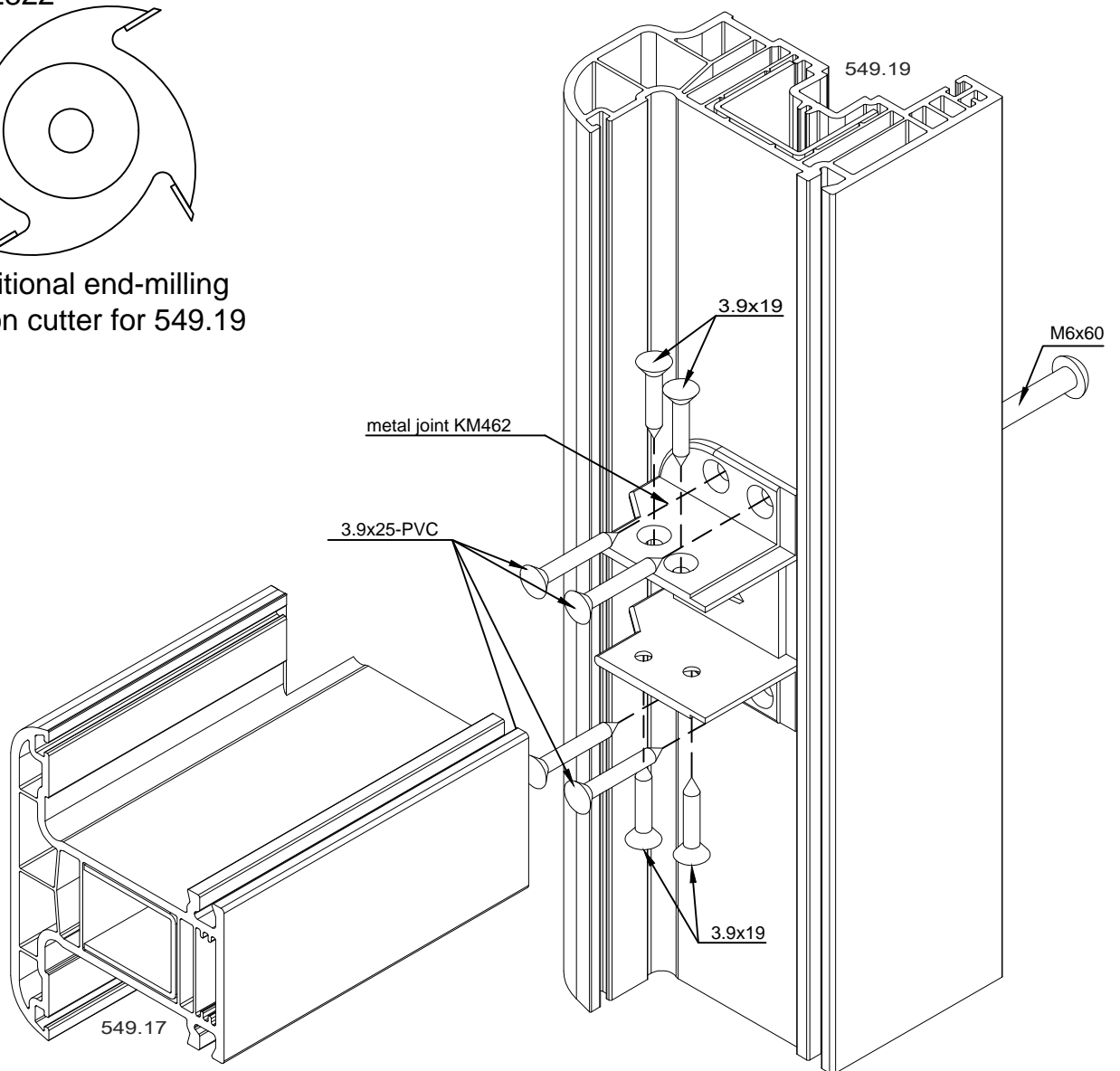
End-milling mullion  
cutter for 70mm

KM2822

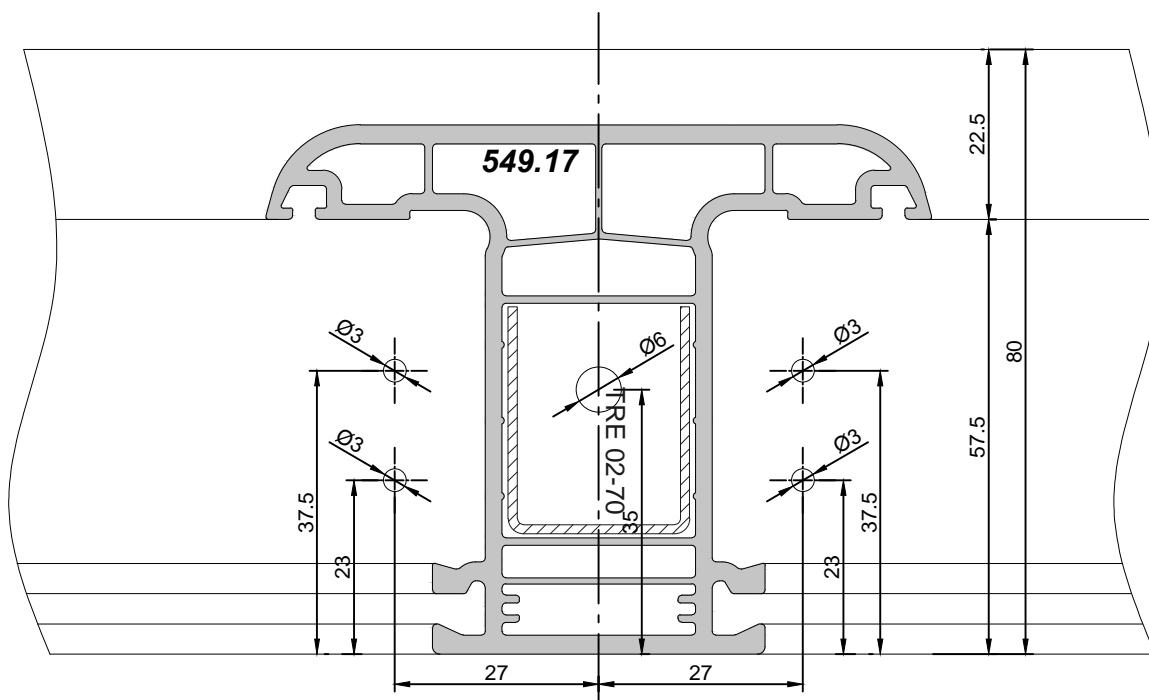
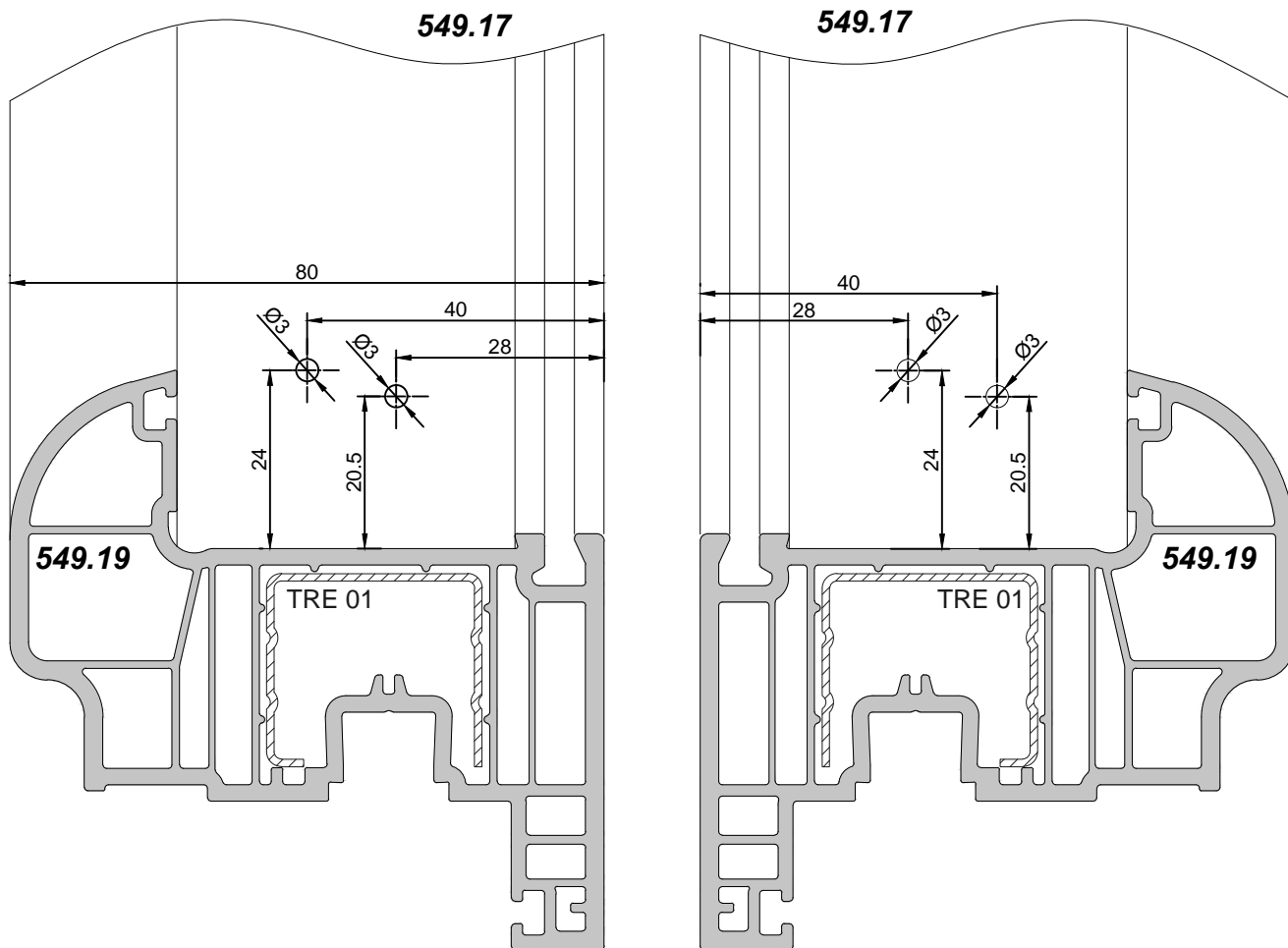


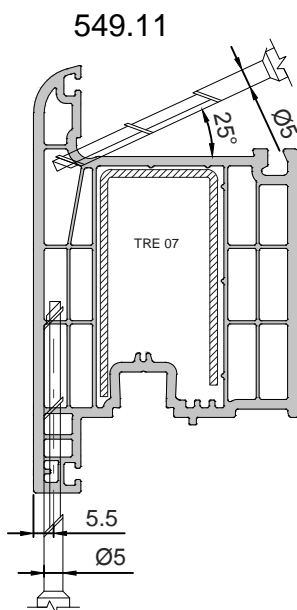
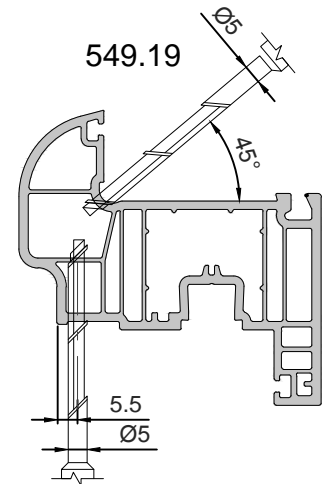
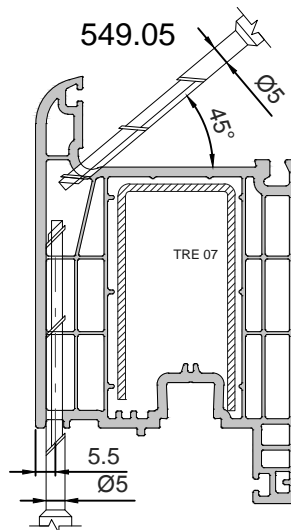
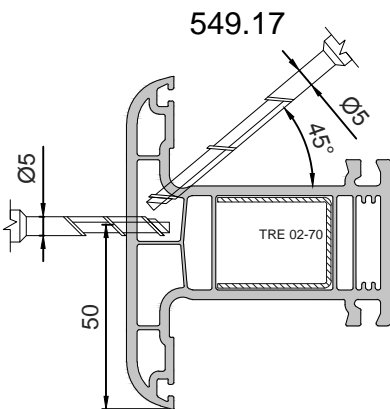
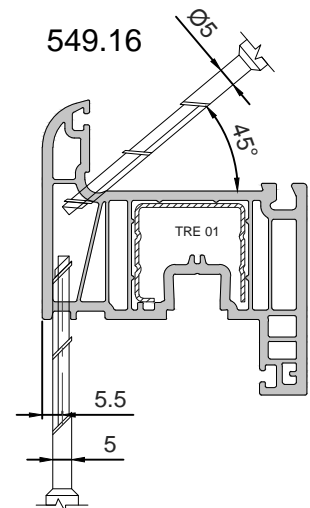
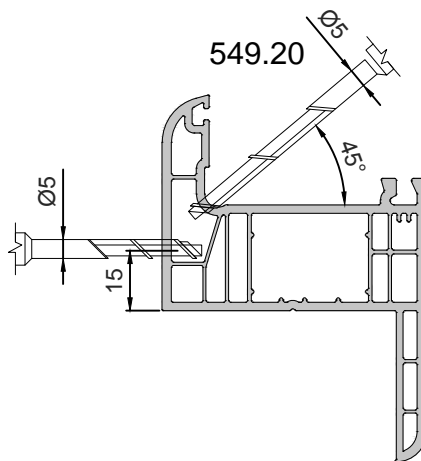
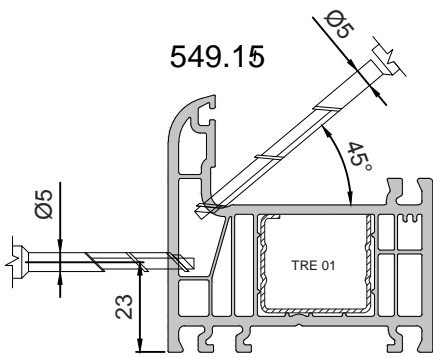
Additional end-milling  
mullion cutter for 549.19

Scheme mullion - sash 70mm

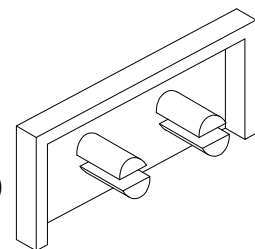


### Scheme mullion - sash 70mm





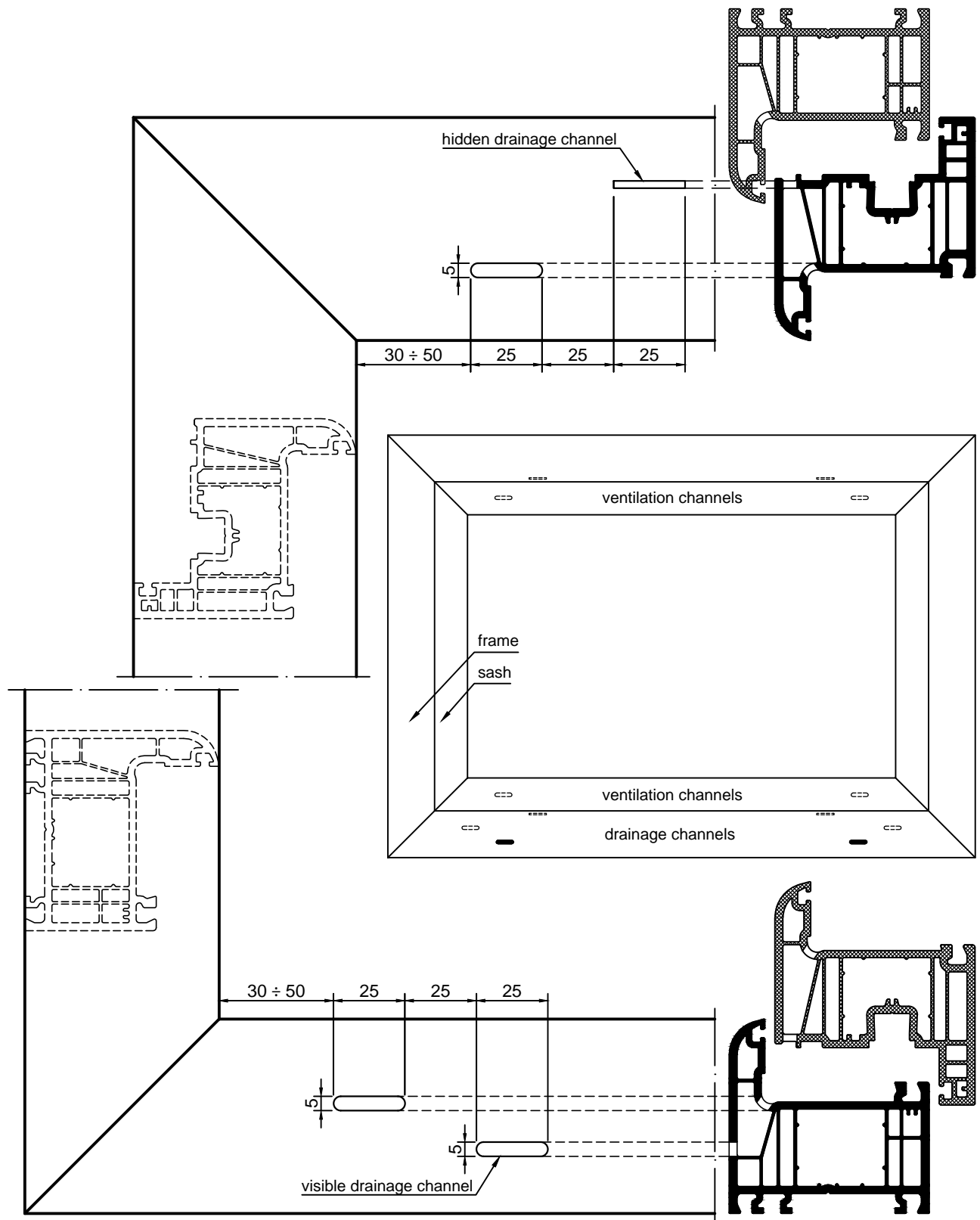
AL1210



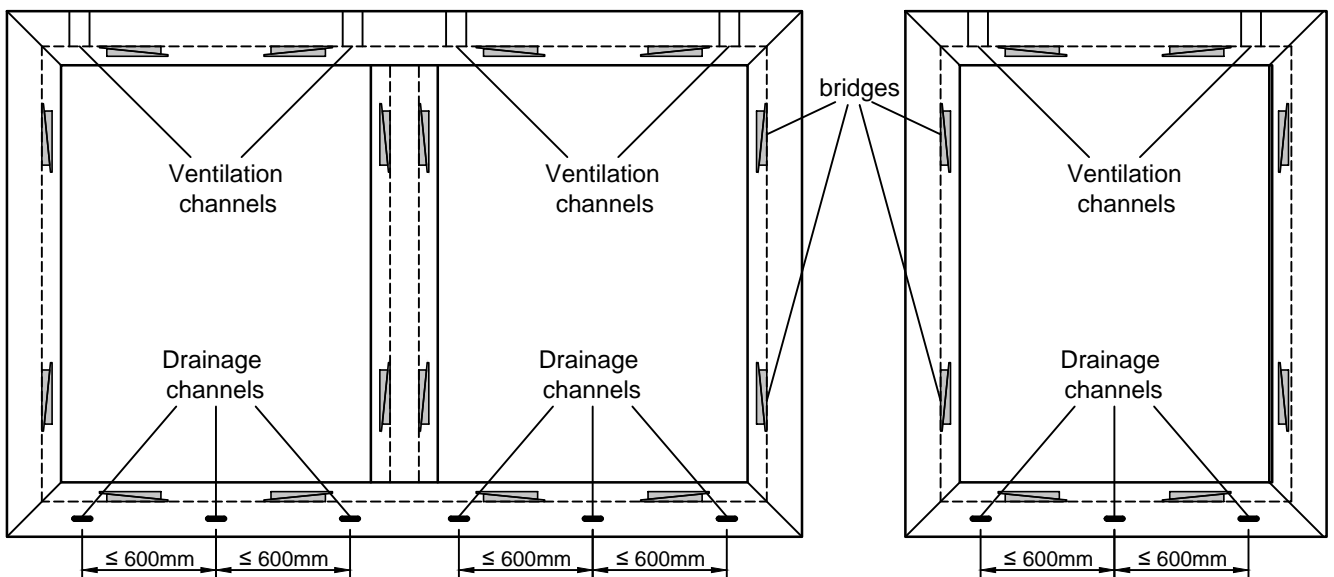
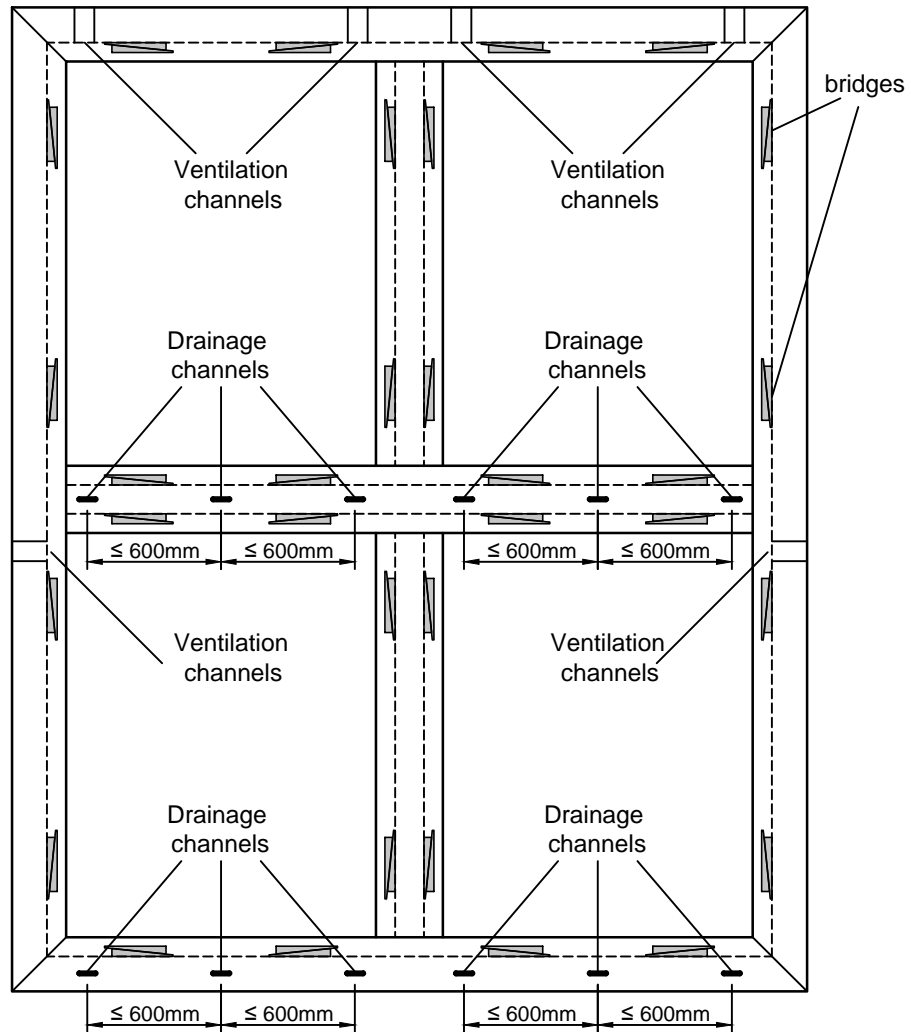
Cover cap for drainage openings

**ATTENTION:** In case of using aluminium cover cops on the profiles, the positions of the drainage openings remain the same.

SCHEME DRILLING OF VENTILATION AND DRAINAGE CHANNELS



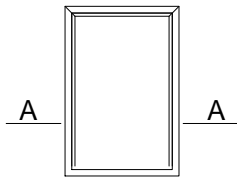
SCHEME DRILLING OF VENTILATION AND DRAINAGE CHANNELS



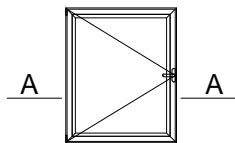
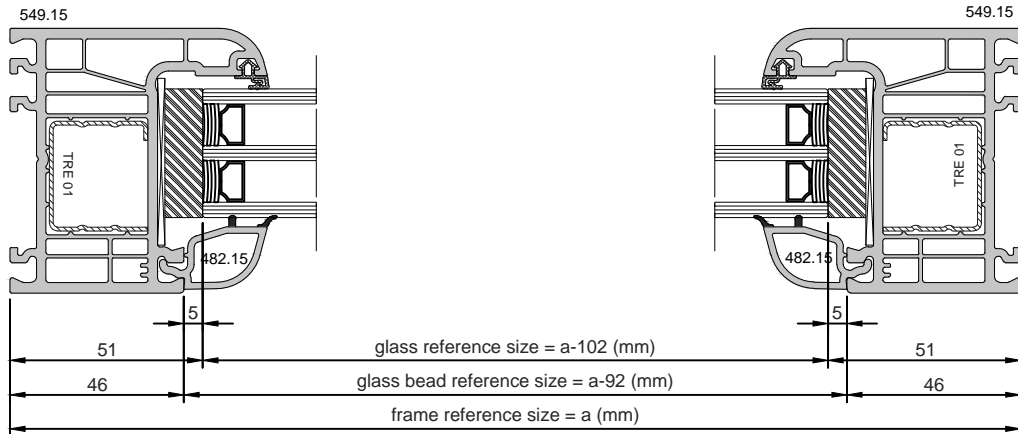
*PRESTIGE* /series 70mm/  
cutting drawings

# PRESTIGE /series 70mm/: cutting list

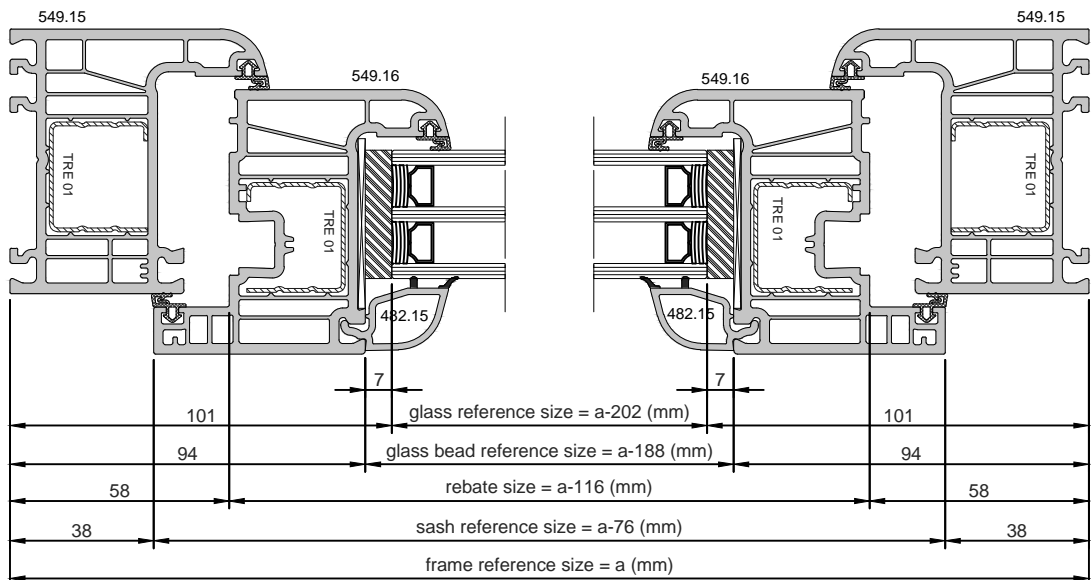
## Exemplary scheme of fixed window



A-A  
scale 1:2



A-A  
scale 1:2

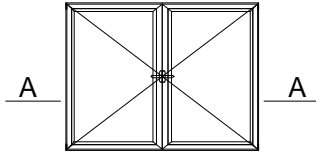


**WARNING:** When defining the dimensions of the profiles the size of their welding should be added as well. The recommendable size for addition is 3 mm for each side.

# PRESTIGE /series 70mm/:

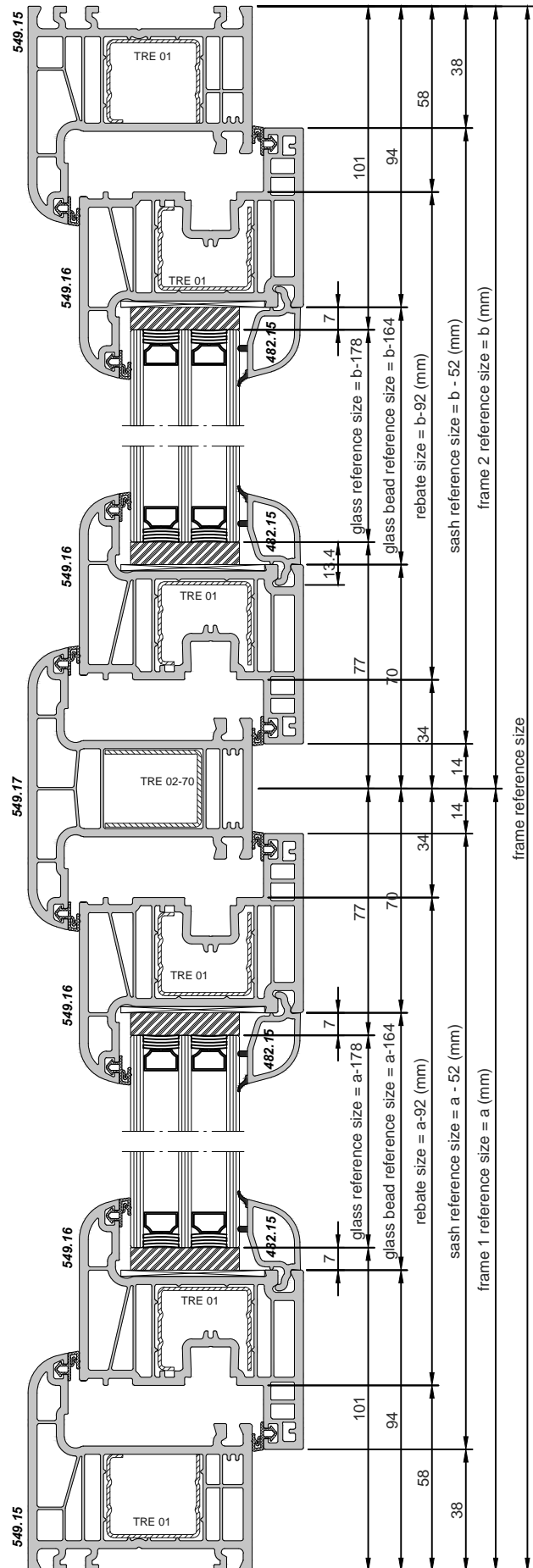
## cutting list

Exemplary scheme for a two-sash window with mullion



A-A  
scale 1:2

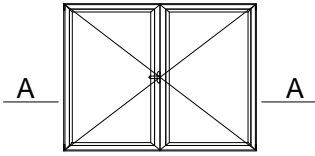
**WARNING:** When defining the dimensions of the profiles the size of their welding should be added as well.  
The recommendable size for addition is 3 mm for each side.



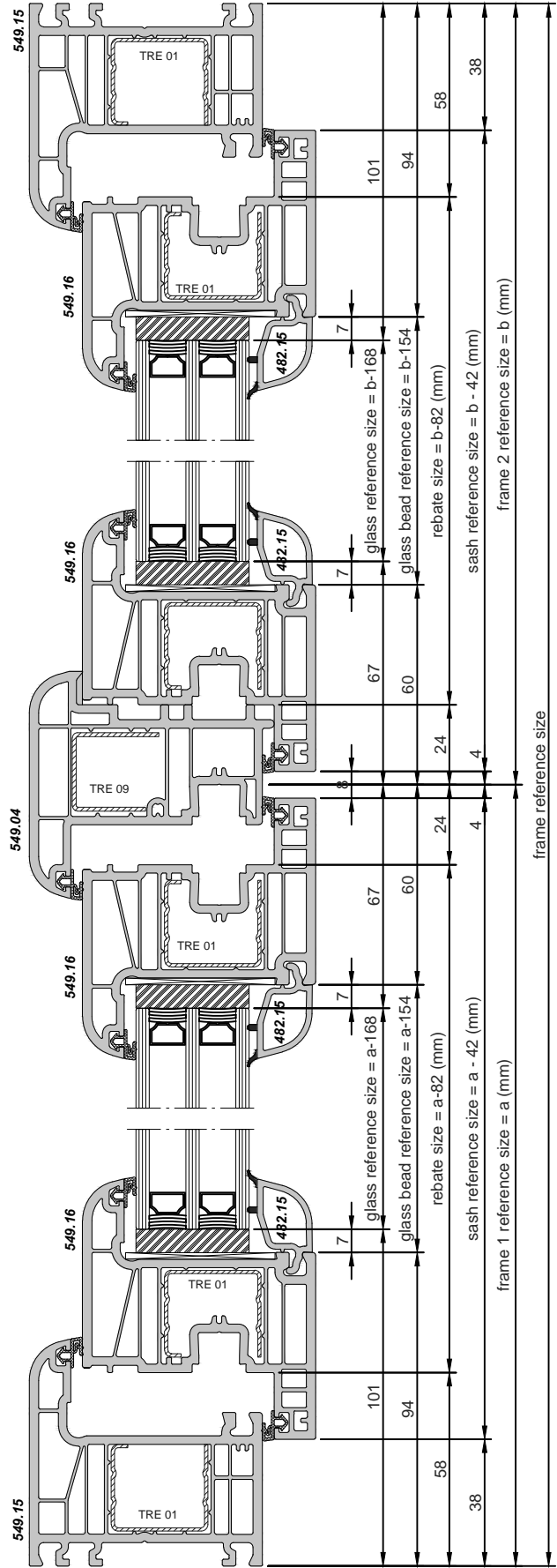


# PRESTIGE /series 70mm/ cutting list

Exemplary scheme for a  
two-sash window with  
mobile mullion



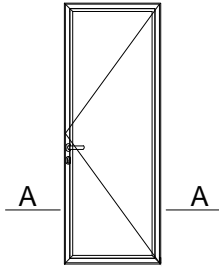
A-A  
scale 1:2



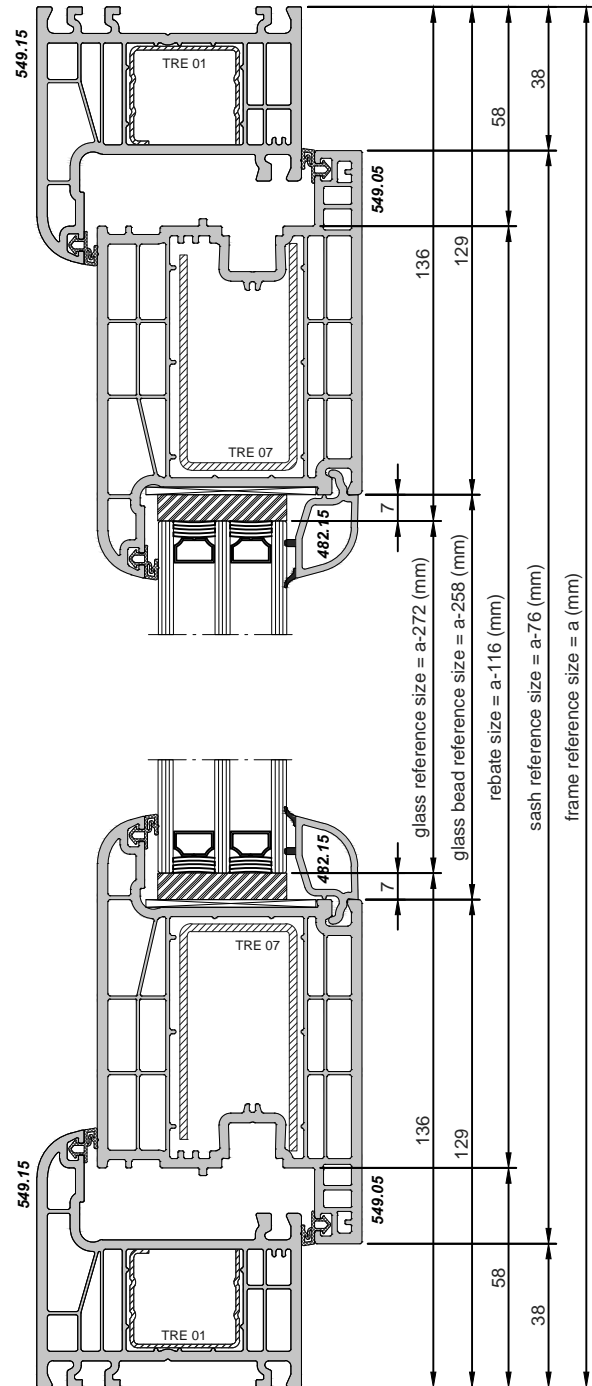
**WARNING:** When defining the dimensions of the profiles the size of their welding should be added as well. The recommendable size for addition is 3 mm for each side.

# PRESTIGE /series 70mm/: cutting list

Exemplary scheme for door



A-A  
scale 1:2



**WARNING:** When defining the dimensions of the profiles the size of their welding should be added as well. The recommendable size for addition is 3 mm for each side.