

A ALTEST[®]

ALUMINIUM PROFILES SYSTEMS

ESKIMOS



gasket for glass

glassholder

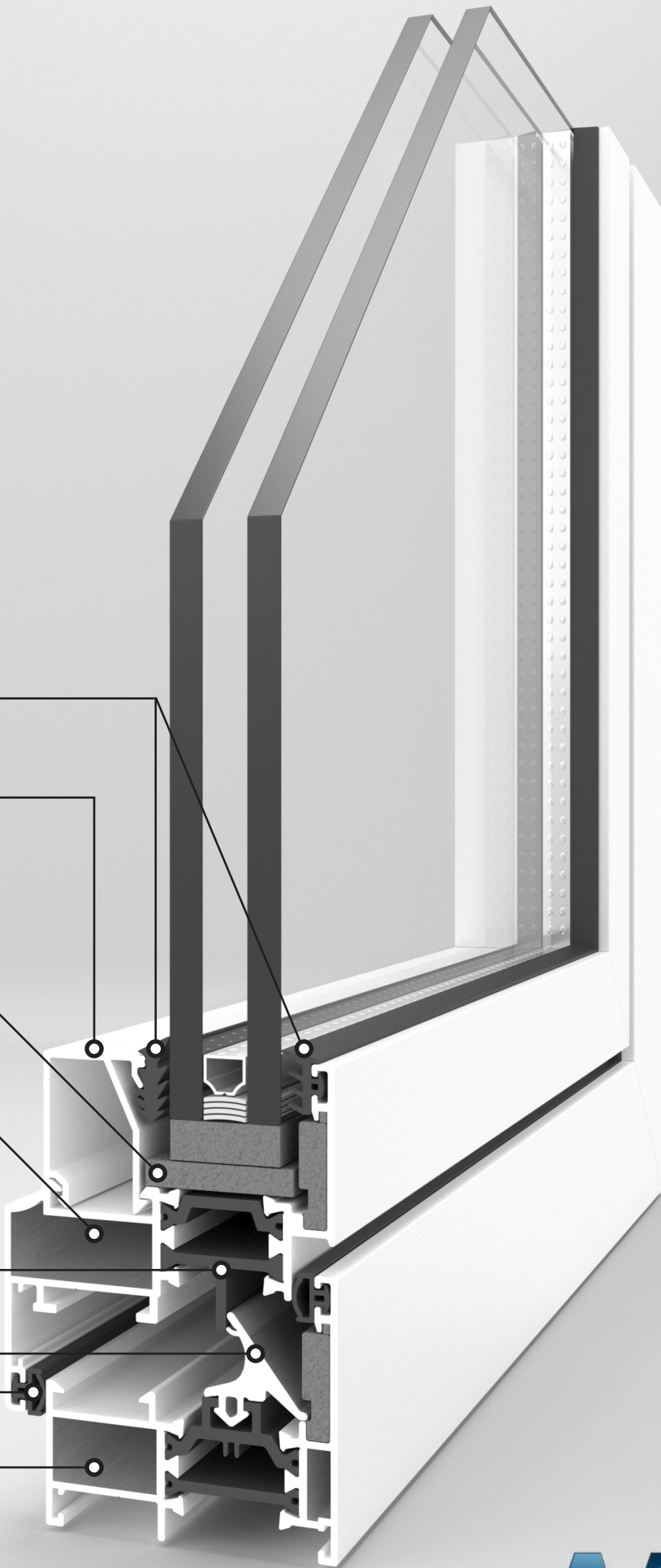
padding

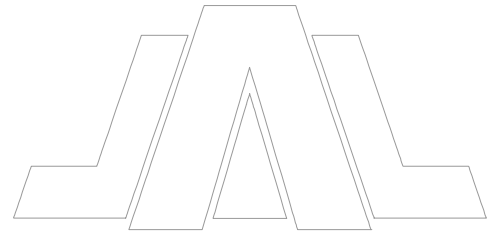
sash

polyamide profile

**central gasket
gasket**

frame





INTRODUCTION

INTRODUCTION

"ESKIMOS" system by ALTEST is 53,00 mm aluminium series designed according to European standard and comfortable to requirements and dimensions of the hardware- hinges, locks and etc.

"ESKIMOS" is a thermal break series with 24 mm polyamide on the frame profile and 20-22mm for the sash. The system consists of wide composition of profiles suitable for any kind of solutions. It is designed to fulfil exterior and interior architectural choices , whenever thermal break is required.

"ESKIMOS" series is a suitable solution for different versions of opening and fixed systems.

The plentiful range of profiles, modern accessories and EPDM gaskets guarantee the perfect draining and faultless performance in different situations. The series is also suitable for tilt and turn mechanism. Versions of fixed, vertical and horizontal opening windows as well as fixed and opening sections doors are practicable.

"ESKIMOS" system is also compatible with PVC window hardware. So it makes it easier to be manufactured.

"ESKIMOS" series is based on work with three seal gaskets- central , outer and inner (the central one is specially designed for the series).

This system allows the usage of 20 to 38 mm glazing , also 10mm single glass. Of course, variable design elaborations are possible, due to wide variety of frames, sashes and other auxiliary profiles. „ESKIMOS" is a modern aluminium system, satisfying the latest architectural tendencies of doors and windows ,where thermo-insulation is needed. These advantages allow the system to be integrated in different buildings and all kind of wether conditions.

The profiles can be painted in all range of RAL colours, as well as anodization , sublimation and lamination.

ALTEST series "ESKIMOS" are extruded from the following alloys: EN AW-6060 (Al Mg Si) and EN AW 6063 (Al Mg_{0,7} Si).

The properties of alloy EN AW-6063 are:

***Ultimate tensile strength- $R_m = 210 \text{ N/m}^2$**

***Yield strength- $R_{p0,2} = 160 \text{ N/m}^2$**

***Modulus of elasticity- $E_{a1} = 70\,000 \text{ N/mm}^2 = 7 \cdot 10^9 \text{ kg/m}^2$**

***Coefficient of thermal expansion: $\alpha = 0.023 \text{ mm/m} \cdot \text{K}$ (up to 1.2 mm/m for difference up to 50 °)**

INTRODUCTION

According to European Standard: Scheme „3“, described in Annex ZA of BDS EN 14351-1, „ESKIMOS“ system has the following technical characteristics:

***Watertight integrity / static pressure/ : Class 5A**

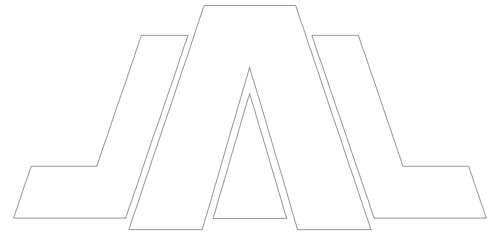
***Wind resistance: Class C2**

***Carrying capacity of the shield devices/at load/: Class 4**

***Index of insulation from airborne acoustical noise emissions:**

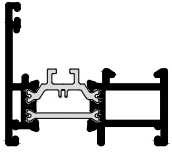
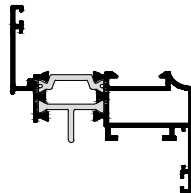
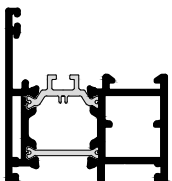
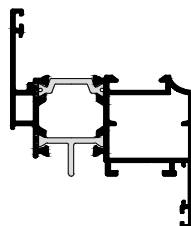
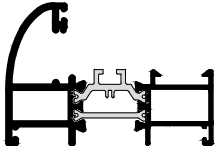
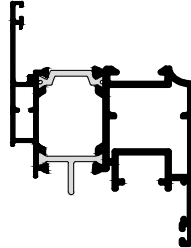
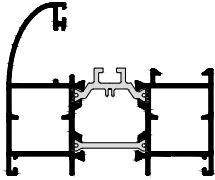
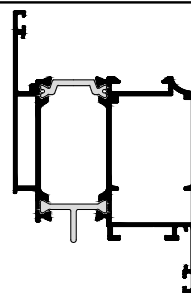
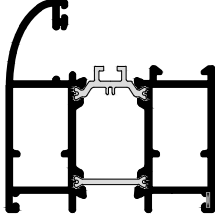
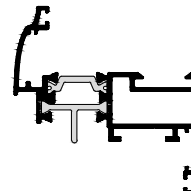
$R_w(C;C_{tr})=37(-3;-3)$ dB

***Thermal transmittance values : $U=1,15W/(m^2.K)$**



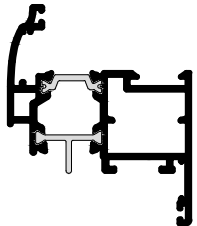
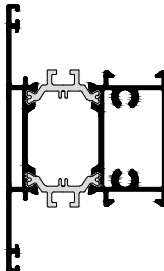
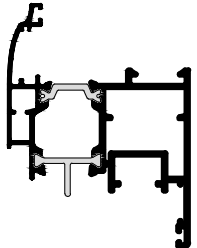
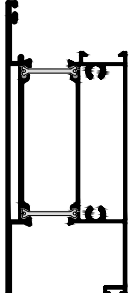
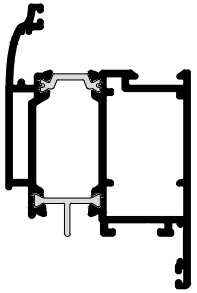
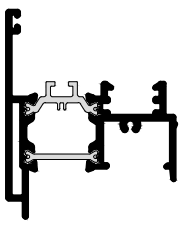
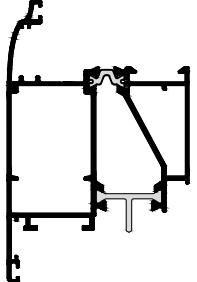
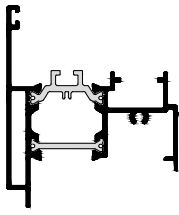
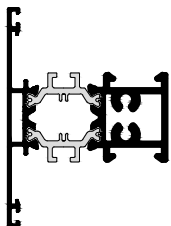
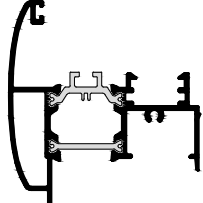
PROFILES OVERVIEW

PROFILES OVERVIEW

Profile shape	Profile code / description	Weight (gr/m)	Profile shape	Profile code / description	Weight (gr/m)
	530 0005 frame	897		530 0105 sash	995
	530 0010 frame	1097		530 0110 sash	1215
	530 0015 frame	1075		530 0327 sash <i>*PVC hardware*</i>	1366
	530 0020 frame	1295		530 0115 sash	1538
	NEW 530 0021 frame	1489		530 0120 sash	1047

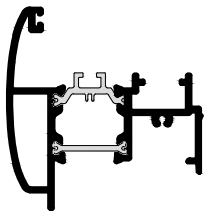

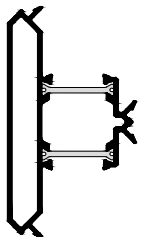
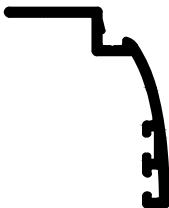
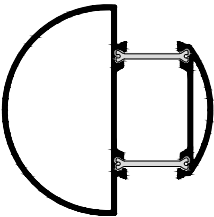
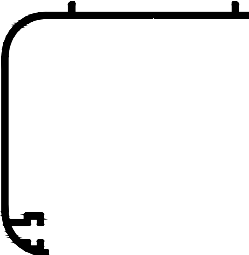


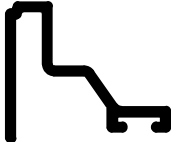
WARNING: ALL OF THE PROFILE WEIGHTS ARE THEORETICAL.

PROFILES OVERVIEW

Profile shape	Profile code / description	Weight (gr/m)	Profile shape	Profile code / description	Weight (gr/m)
	530 0125 sash	1247		530 0210 mullion	1510
	530 0326 sash <i>*PVC hardware*</i>	1364		530 0220 door board	2046
	530 0130 sash	1578		530 0305 overhung	1102
	530 0135 sash	1563		530 0328 overhung <i>*PVC hardware*</i>	1085
	530 0205 mullion	1276		530 0310 overhung	1171

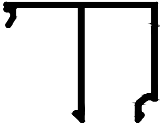

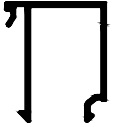

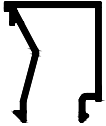
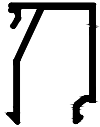
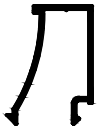
WARNING: ALL OF THE PROFILE WEIGHTS ARE THEORETICAL.

PROFILES OVERVIEW

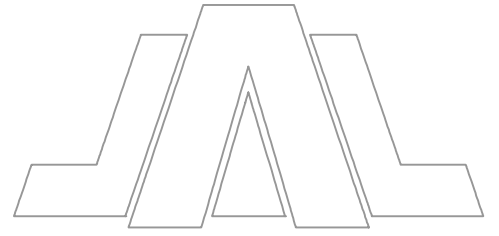
Profile shape	Profile code / description	Weight (gr/m)	Profile shape	Profile code / description	Weight (gr/m)
	530 0329 overhung <i>*PVC hardware*</i>	1150		530 5040 addition for pipe 530 0325	176
	530 0320 column for 90° angle	1095		375 0350 sill	225
	530 0325 pipe	1327		375 0350-1 sill	385
	530 0330 doorstep	940		375 0355 frame to frame connection	123
				375 0370 addition for door sash	232

WARNING: ALL OF THE PROFILE WEIGHTS ARE THEORETICAL.

PROFILES OVERVIEW

<i>Profile shape</i>	<i>Profile code / description</i>	<i>Weight (gr/m)</i>	<i>Profile shape</i>	<i>Profile code / description</i>	<i>Weight (gr/m)</i>
	375 0510 glass bead for 10 mm glass	290		1017 glass bead for 36 mm glass	222
	375 0520 glass bead for 20 mm glass	268		375 0550 glass bead for 38 mm glass	203
	1200 glass bead for 20 mm glass	270			
	375 0530 glass bead for 24 mm glass	260			
	9312 glass bead for 28 mm glass	235			

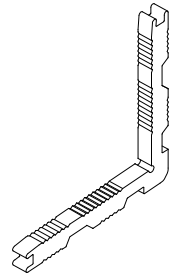
WARNING: ALL OF THE PROFILE WEIGHTS ARE THEORETICAL.



ACCESSORIES

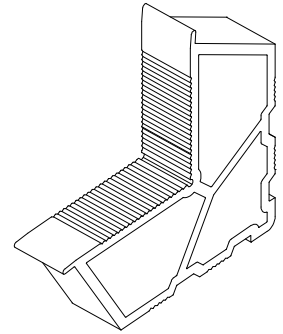
APE 0550

Press corner



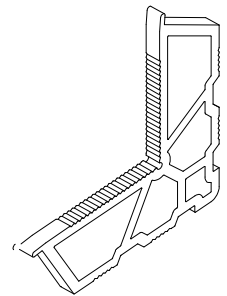
APE 2121

Press corner



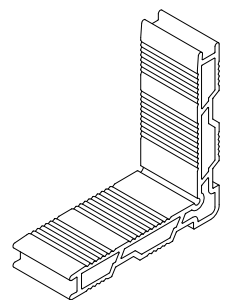
APE 0551

Press corner



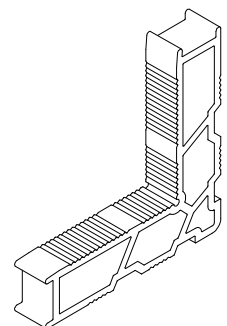
APE 2600/APE1870

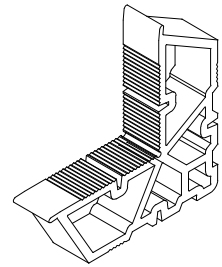
Press corner



APE 1390/APE2120/
APE 2610

Press corner





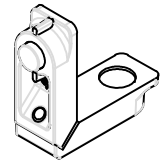
APE 1391

Press corner



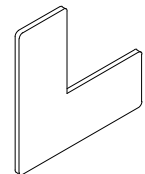
APE 4

Mechanical corner



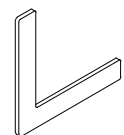
APE 8

Mechanical corner



APE 7

Alignment corner



APE 6

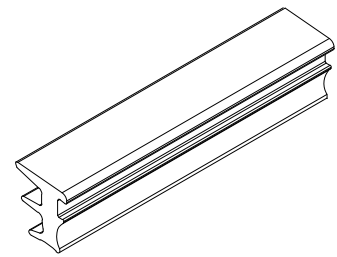
Alignment corner



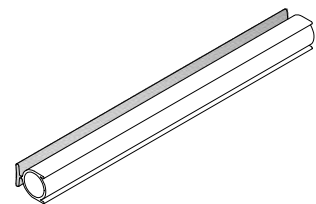
APE 10

Mechanical corner

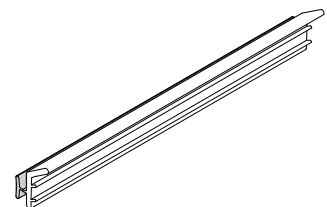
U00;0;1;1.5;2;2.5;3;4;5; EPDM gasket for glazing



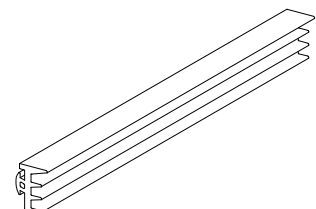
U60 gasket for the opening parts



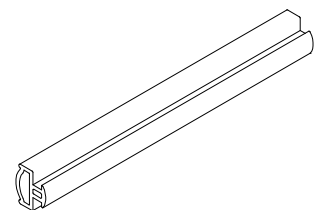
U68 gasket for the fix parts



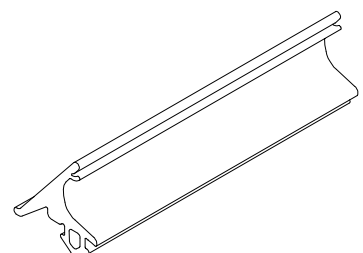
US68 EPDM gasket for the fix parts

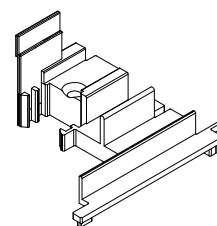


US60 EPDM gasket for the opening parts



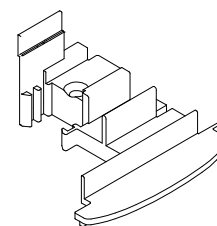
APE900 EPDM central gasket





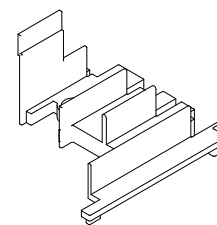
APE 310

Cover cap for overhung 530 0305



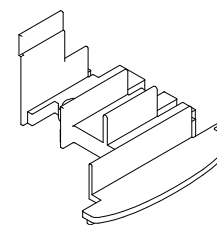
APE 313

Cover cap for overhung 530 0310



APE 312

Cover cap for overhung 530 0328

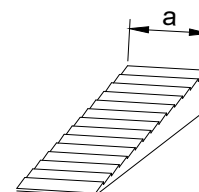


APE 311

Cover cap for overhung 530 0329

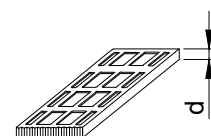
AP3320 /a =20mm/;
 AP3324 /a =24mm/;
 AP3326 /a =26mm/;
 AP3330 /a =30mm/;
 AP3332 /a =32mm/;

Glazing pad



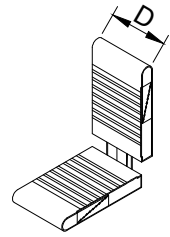
AP3220 /d=2mm/;
 AP3230 /d=3mm/;
 AP3240 /d=4mm/;
 AP3250 /d=5mm/;

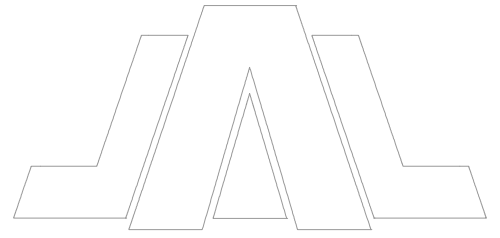
Glazing pad



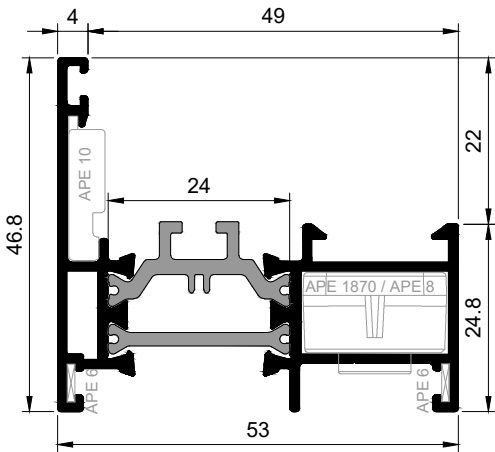
AP3170 /D=18mm/
AP3171 /D=24mm/
AP3172 /D=32mm/

Adjusting corner for glass panes (USS)

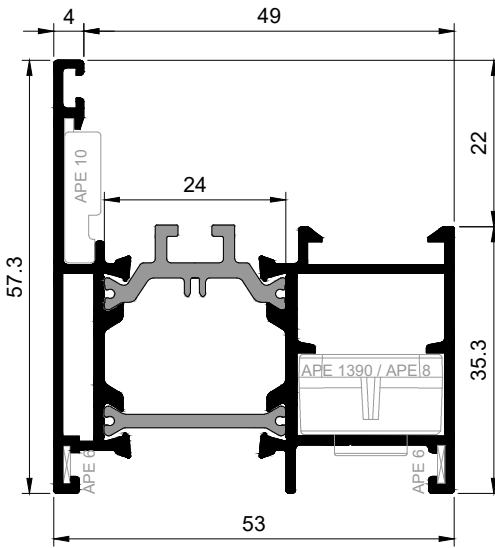




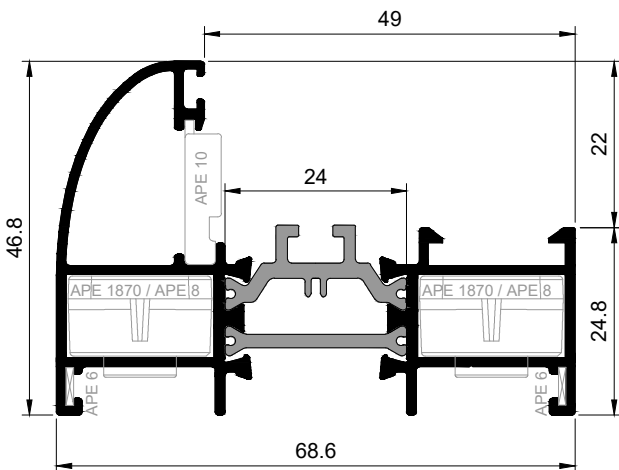
PROFILES



530 0005 Frame		Weight (gr/m)	I_x / I_y (cm ⁴)	W_x / W_y (cm ³)
		897	3,23/ 10,56	1,05/ 3,50
JOINTS				

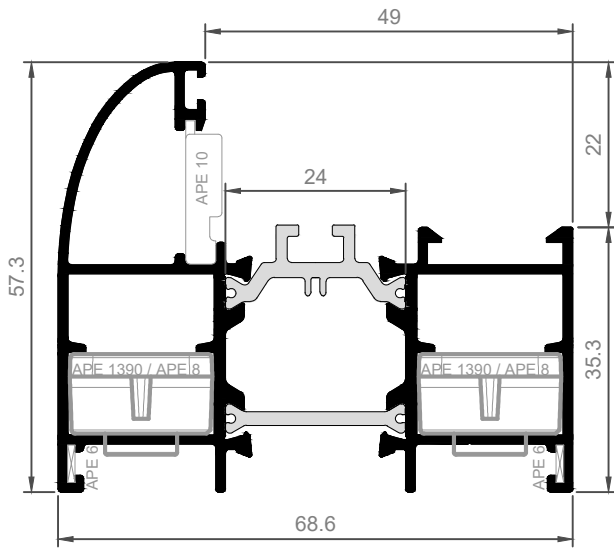


530 0010 Frame		Weight (gr/m)	I_x / I_y (cm ⁴)	W_x / W_y (cm ³)
		1097	6,53/ 13,32	1,81/ 4,45
JOINTS				

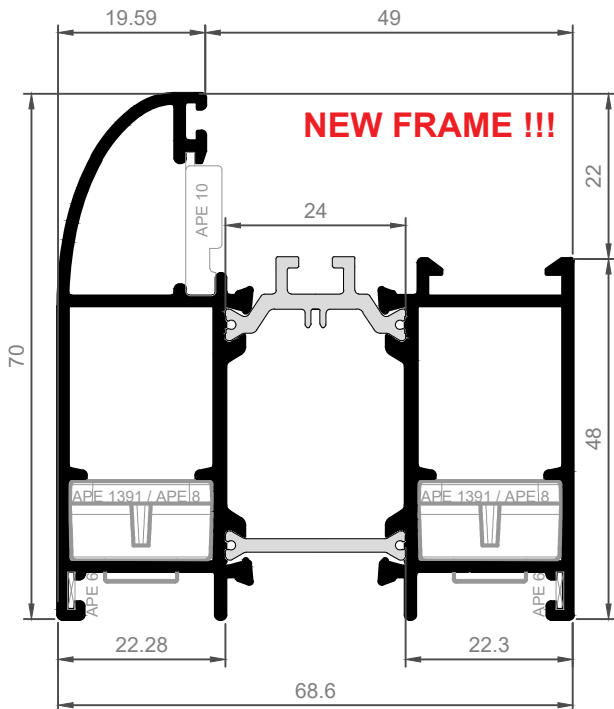


530 0015 Frame		Weight (gr/m)	I_x / I_y (cm ⁴)	W_x / W_y (cm ³)
		1075	4,78/ 18,37	1,59/ 4,89
JOINTS				

Series Eskimos

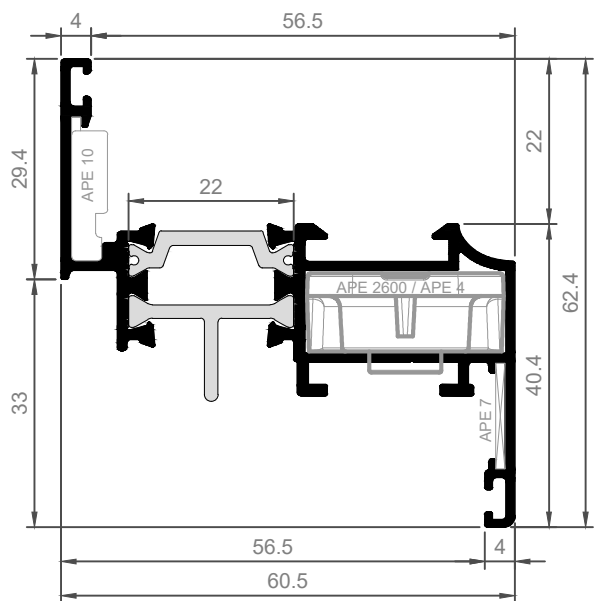


530 0020 Frame		Weight (gr/m)	I_x / I_y (cm ⁴)	W_x / W_y (cm ³)
		1295	9,09/ 22,91	2,61/ 6,22
JOINTS				
	APE 1390	APE 6	APE 10	APE 8
GASKETS				
	U 68	US 68	US 60	APE 900

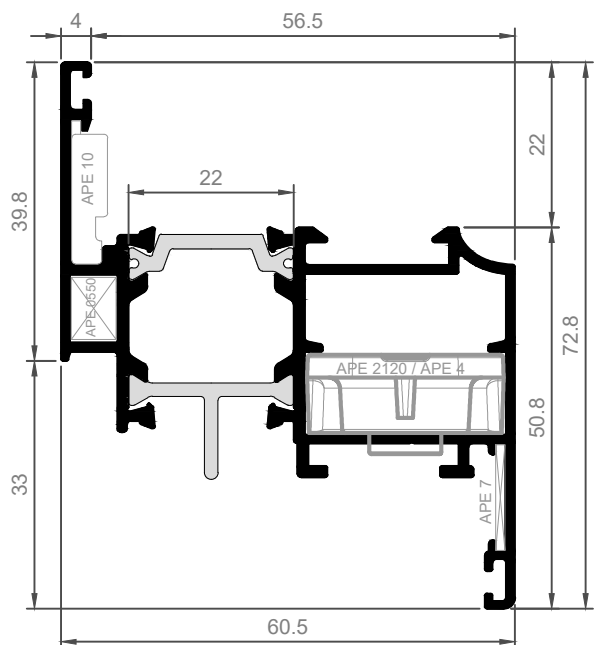


530 0021 Frame		Weight (gr/m)	I_x / I_y (cm ⁴)	W_x / W_y (cm ³)
		1489	16,42/ 26,29	4,52/ 7,44
JOINTS				
	APE 1391	APE 6	APE 10	APE 8
GASKETS				
	U 68	US 68	US 60	APE 900

Series Eskimos



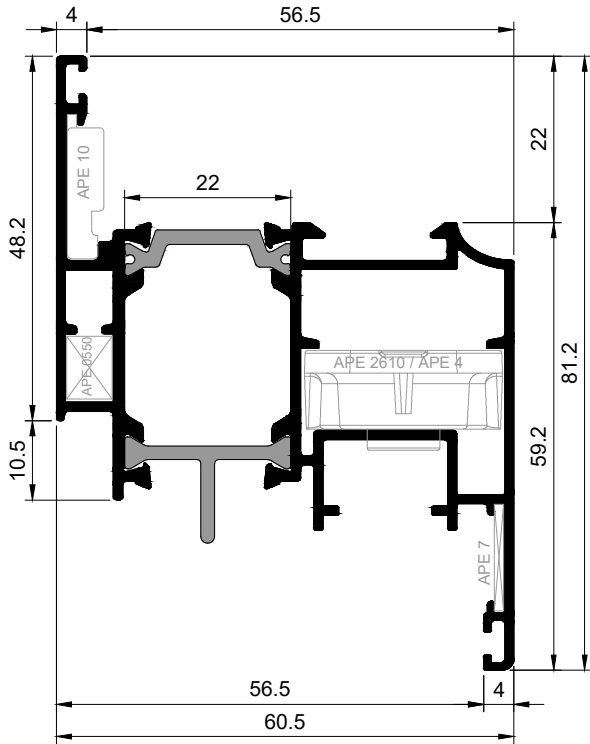
530 0105 Sash		Weight (gr/m)	I_x / I_y (cm ⁴)	W_x / W_y (cm ³)
		995	4,90/ 14,56	1,55/ 4,58
JOINTS				
	APE 2600	APE 7	APE 10	APE 4
GASKETS				
	U 68	US 68	US 60	



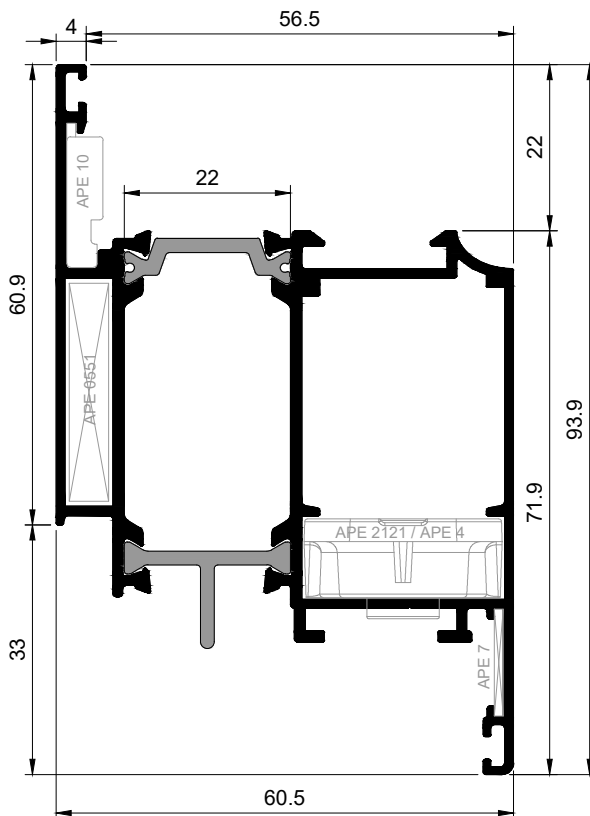
530 0110 Sash		Weight (gr/m)	I_x / I_y (cm ⁴)	W_x / W_y (cm ³)
		1215	9,02/ 18,61	2,46/ 6,12
JOINTS				
	APE 2120	APE 0550	APE 7	APE 10 APE 4
GASKETS				
	U 68	US 68	US 60	

scale 1:1

WARNING: ALL OF THE PROFILE WEIGHTS ARE THEORETICAL.

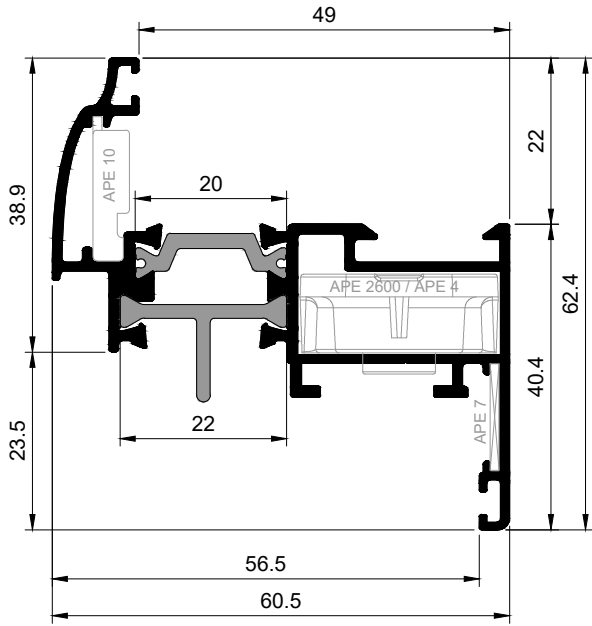


530 0327 Sash <i>*PVC hardware*</i>		Weight (gr/m)	I_x / I_y (cm ⁴)	W_x / W_y (cm ³)	
		1366	13,16/ 21,50	3,22/ 6,96	
JOINTS					
	APE 2610	APE 0550	APE 7	APE 10	APE 4
GASKETS					
	U 00.0;1;1.5; 2;2.5;3;4;5	U 60			

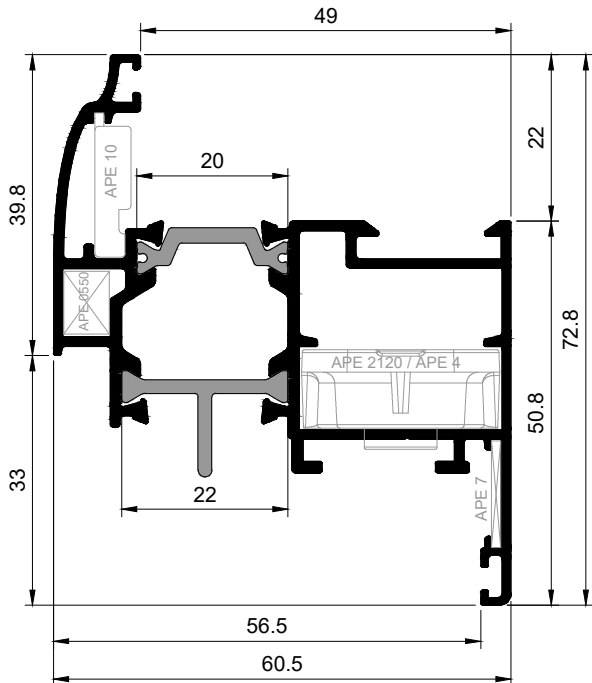


530 0115 Sash		Weight (gr/m)	I_x / I_y (cm ⁴)	W_x / W_y (cm ³)	
		1538	24,51/ 24,81	5,20/ 7,90	
JOINTS					
	APE 0551	APE 2121	APE 7	APE 10	APE 4
GASKETS					
	U 00.0;1;1.5; 2;2.5;3;4;5	U 60			

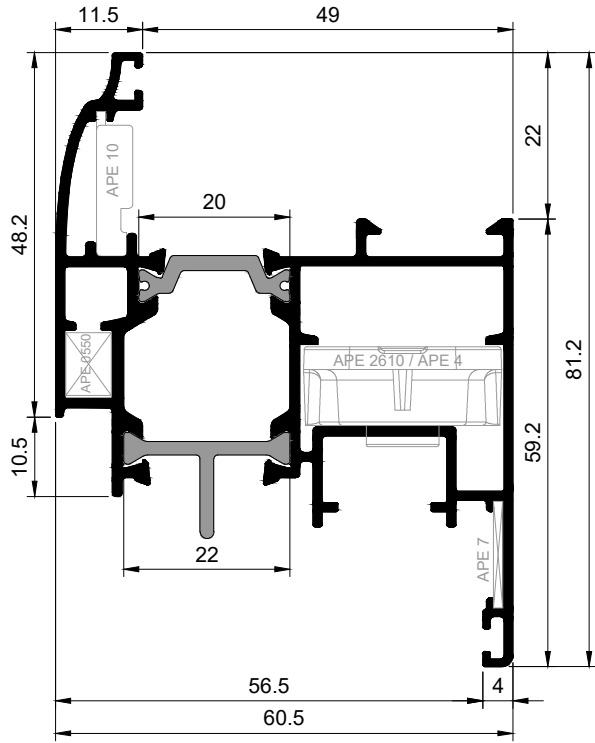
Series Eskimos



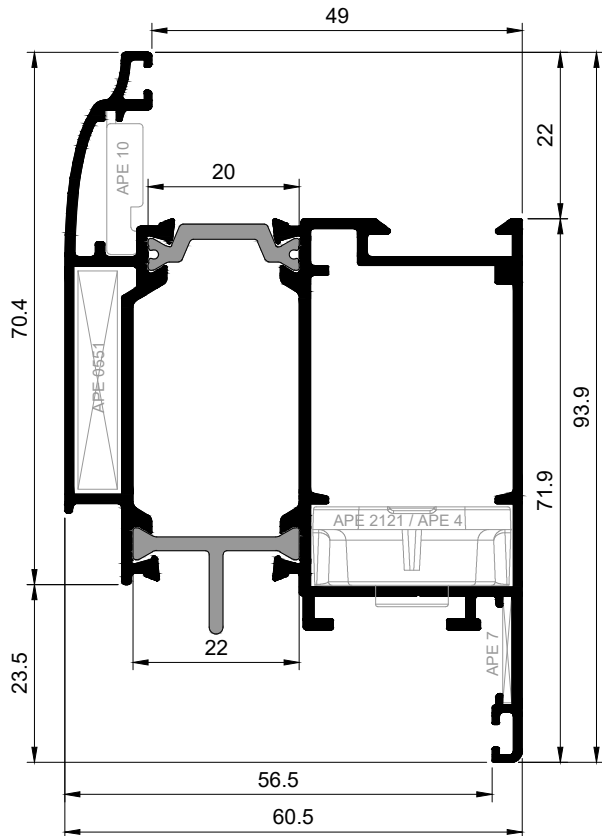
530 0120 Sash		Weight (gr/m)	I_x / I_y (cm ⁴)	W_x / W_y (cm ³)
		1047	5,35/ 14,64	1,70/ 4,62
JOINTS				
	APE 2600	APE 7	APE 10	APE 4
GASKETS				
	U 68	US 68	US 60	



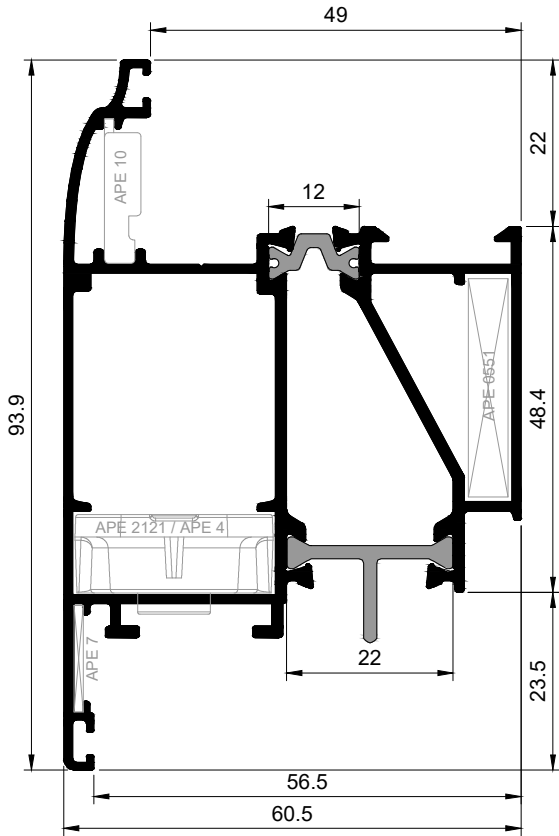
530 0125 Sash		Weight (gr/m)	I_x / I_y (cm ⁴)	W_x / W_y (cm ³)
		1247	9,71/ 18,42	2,63/ 6,06
JOINTS				
	APE 2120	APE 0550	APE 7	APE 10 APE 4
GASKETS				
	U 68	US 68	US 60	



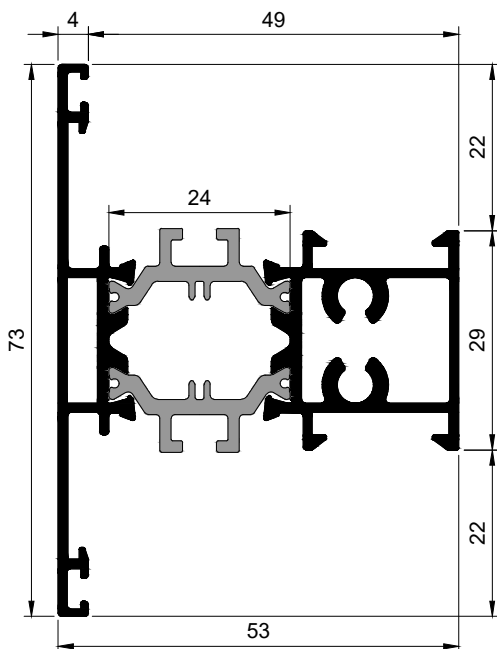
530 0326 Sash <i>*PVC hardware*</i>		Weight (gr/m)	I_x / I_y (cm ⁴)	W_x / W_y (cm ³)	
		1364	13,38/ 21,25	3,28/ 6,94	
JOINTS					
	APE 2610	APE 0550	APE 7	APE 10	APE 4
GASKETS					
	U 00.0;1;1.5; 2;2.5;3;4;5	U 60			
	U 68	US 68	US 60		



530 0130 Sash		Weight (gr/m)	I_x / I_y (cm ⁴)	W_x / W_y (cm ³)	
		1578	25,92/ 24,83	5,41/ 8,01	
JOINTS					
	APE 0551	APE 2121	APE 7	APE 10	APE 4
GASKETS					
	U 00.0;1;1.5; 2;2.5;3;4;5	U 60			
	U 68	US 68	US 60		

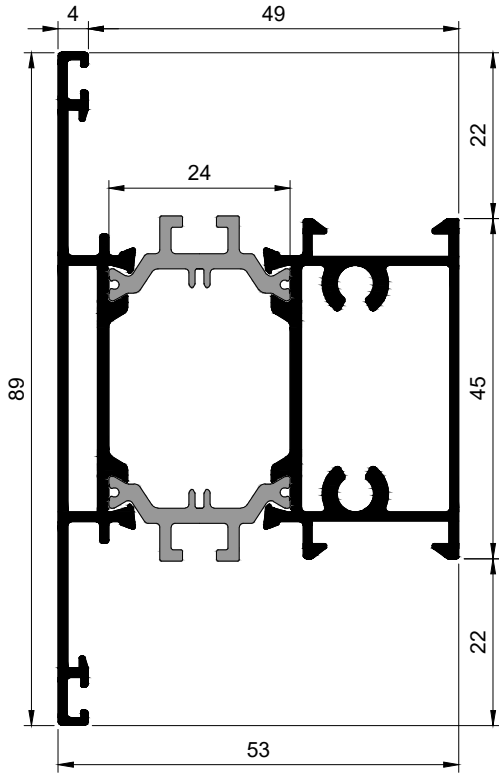


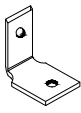
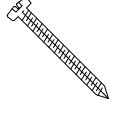





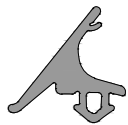
530 0135 Sash		Weight (gr/m)	I_x / I_y (cm ⁴)	W_x / W_y (cm ³)
		1563	25,61/ 23,06	5,36/ 6,80
JOINTS				
	APE 0551	APE 2121	APE 7	APE 10 APE 4
GASKETS				
	U 68	US 68	US 60	

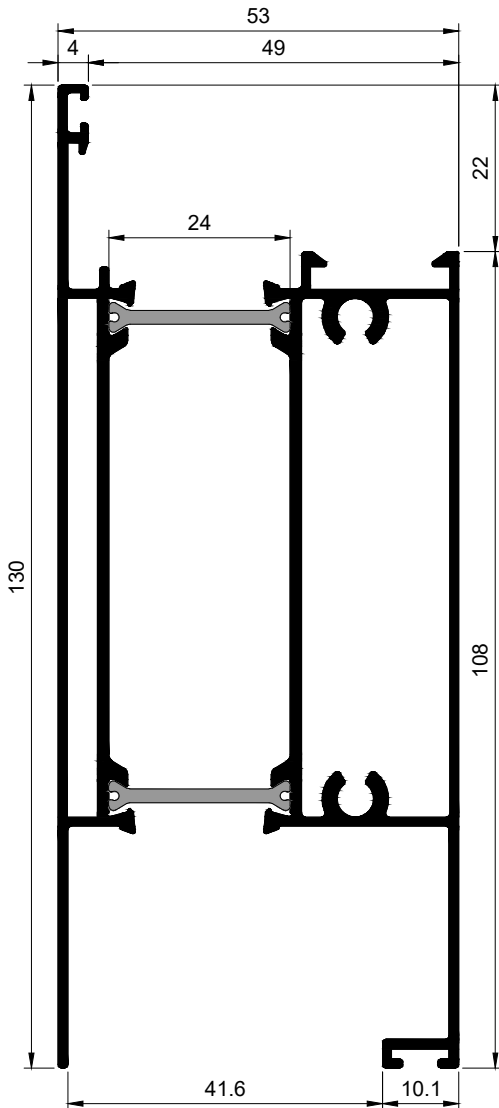


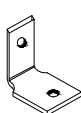
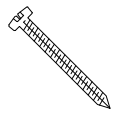




530 0205 Mullion		Weight (gr/m)	I_x / I_y (cm ⁴)	W_x / W_y (cm ³)
		1276	7,92/ 14,68	2,17/ 4,83
JOINTS				
	BA 1001	VM 12212		
GASKETS				
	U 68	US 68	US 60	APE 900

Series Eskimos

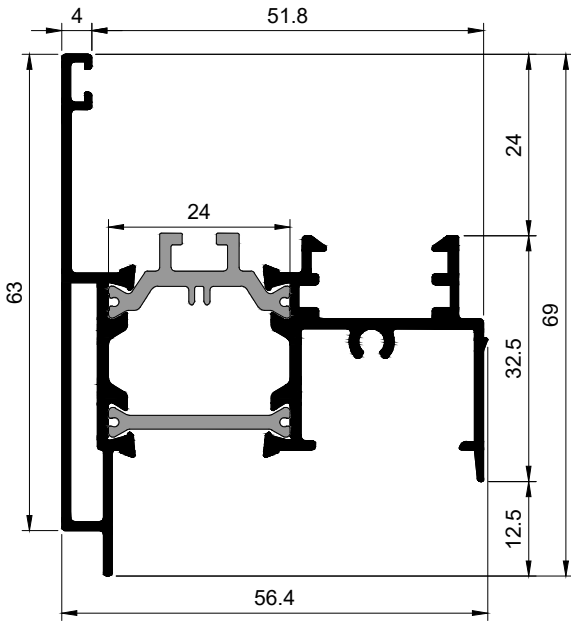


530 0210 Mullion		Weight (gr/m)	I_x / I_y (cm ⁴)	W_x / W_y (cm ³)
		1510	17,76/ 18,35	3,99/ 6,00
JOINTS	 BA 1001  VM 12212			
	 U 00.0;1;1.5;2;2.5;3;4;5  U 60  U 68  US 68  US 60  APE 900			

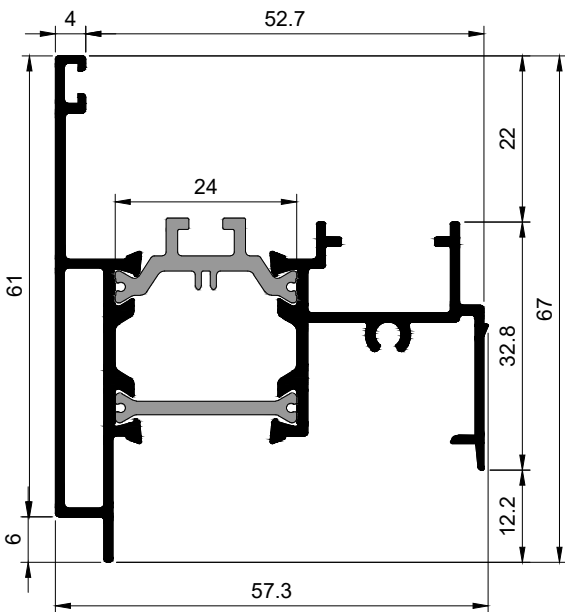


530 0220 Door board		Weight (gr/m)	I_x / I_y (cm ⁴)	W_x / W_y (cm ³)
		2046	78,88/ 29,46	11,99/ 10,30
JOINTS	 BA 1001  VM 12212		BRUSHES	 TZ 5.5; TZ 6; TZ 8; TZ 12; TZ 18;
	 U 00.0;1;1.5;2;2.5;3;4;5  U 68  US 68			

Series Eskimos

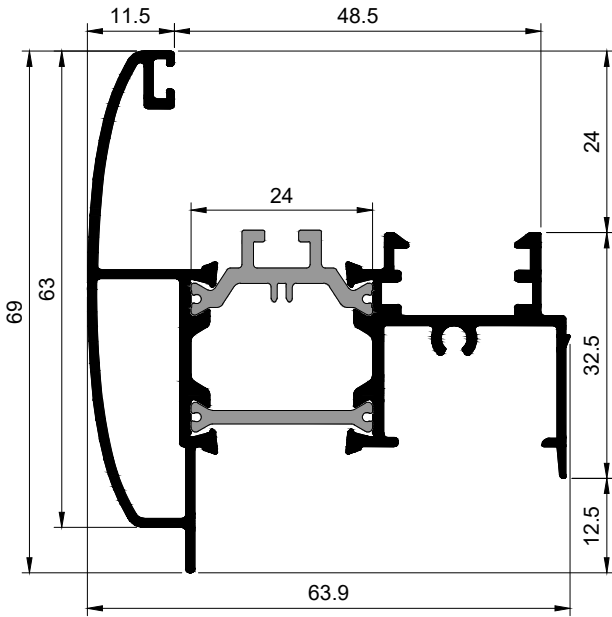


530 0305 Overhung		Weight (gr/m)	I_x / I_y (cm ⁴)	W_x / W_y (cm ³)
		1102	6,83/ 13,67	1,81/ 3,92
JOINTS			COVER CAP	 APE 310
GASKETS	U 60 US 60 APE 900			

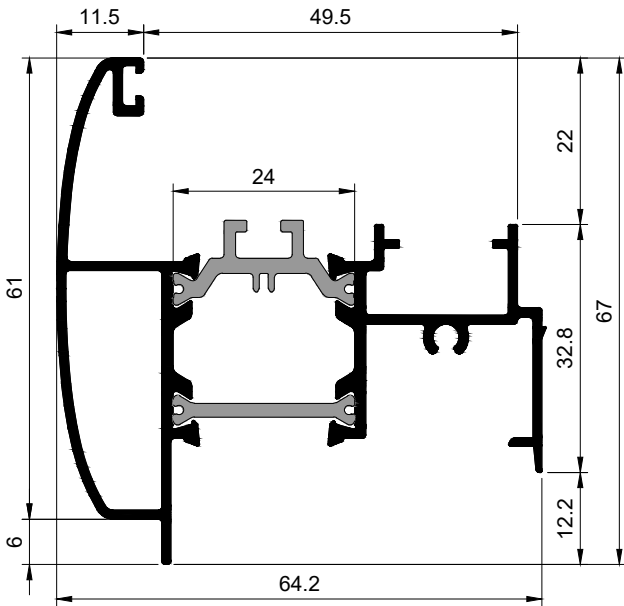


530 0328 Overhung <i>*PVC hardware*</i>		Weight (gr/m)	I_x / I_y (cm ⁴)	W_x / W_y (cm ³)
		1085	6,45/ 13,55	1,78/ 3,82
JOINTS			COVER CAP	 APE 312
GASKETS	U 60 US 60 APE 900			

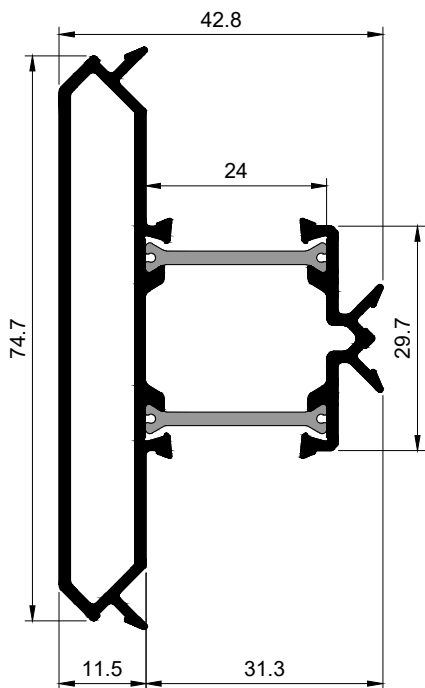
Series Eskimos



530 0310 Overhung		Weight (gr/m)	I_x / I_y (cm ⁴)	W_x / W_y (cm ³)
		1171	8,40/ 16,85	2,29/ 4,48
JOINTS			COVER CAP	 APE 313
GASKETS	U 60 US 60 APE 900			

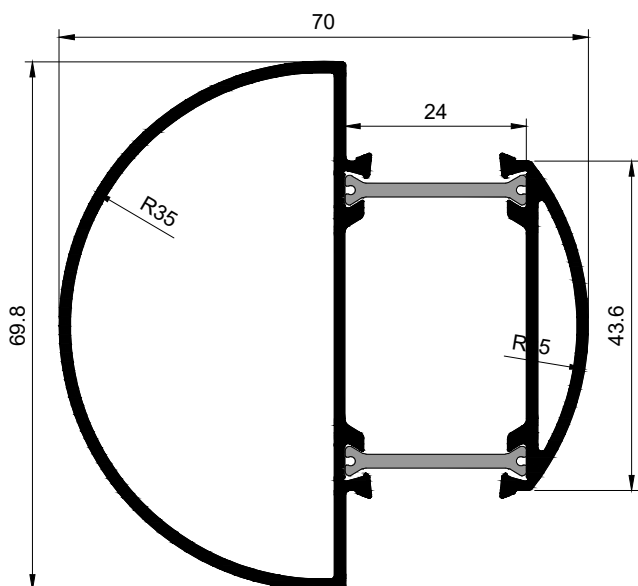


530 0329 Overhung <i>*PVC hardware*</i>		Weight (gr/m)	I_x / I_y (cm ⁴)	W_x / W_y (cm ³)
		1150	7,84/ 16,67	2,22/ 4,38
JOINTS			COVER CAP	 APE 311
GASKETS	U 60 US 60 APE 900			



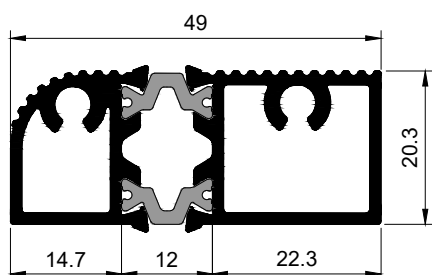
530 0320 Column for 90° angle	Weight (gr/m)	I_x / I_y (cm ⁴)	W_x / W_y (cm ³)
	1095	13,89/ 7,07	3,61/ 2,49

Only for frames 530 0005 and 530 0010

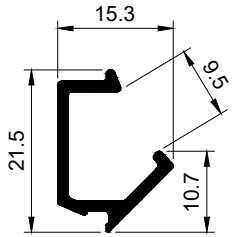


530 0325 Pipe	Weight (gr/m)	I_x / I_y (cm ⁴)	W_x / W_y (cm ³)
	1327	18,14/ 22,37	5,18/ 5,89

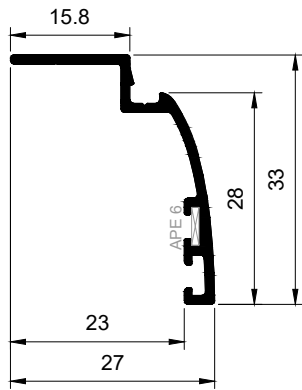
Only for frames 530 0015 and 530 0020



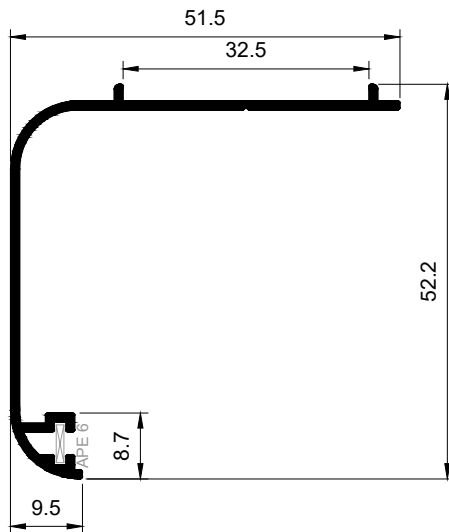
530 0330 Doorstep	Weight (gr/m)	I_x / I_y (cm ⁴)	W_x / W_y (cm ³)
	940	1,60/ 6,96	1,37/ 2,78



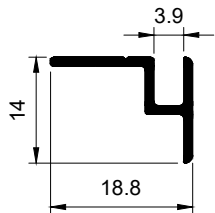
530 5040 Addition for pipe 530 0325	Weight (gr/m)
	176



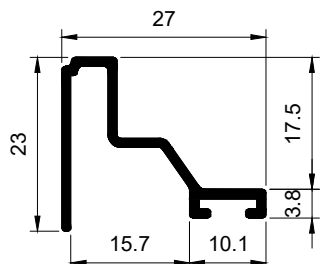
375 0350 sill	Weight (gr/m)	I_x/ I_y (cm ⁴)	W_x/ W_y (cm ³)
	225	0.99/0.44	0.51/0.23
JOINTS	APE 6	GASKETS	U 60



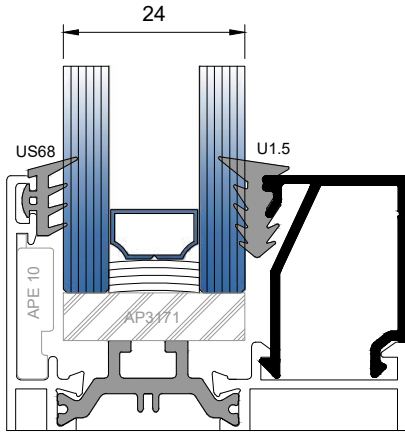
375 0350-1 sill	Weight (gr/m)	I_x/ I_y (cm ⁴)	W_x/ W_y (cm ³)
	385	4.97/ 3.57	1.53/0.94
JOINTS	APE 6	GASKETS	U 60



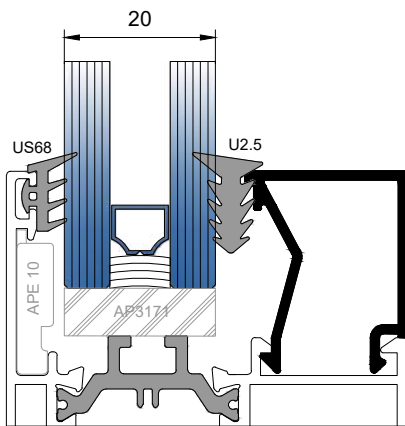
375 0355 Frame to frame connection	Weight (gr/m)
	123



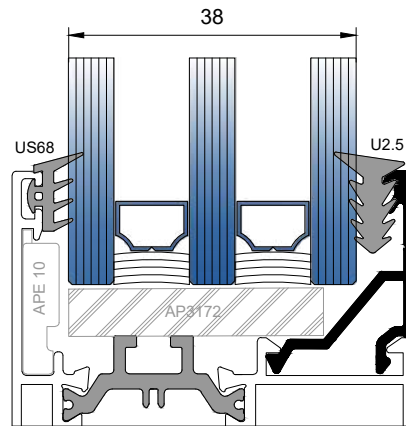
375 0370 Addition for door sash	Weight (gr/m)	I_x/ I_y (cm ⁴)	W_x/ W_y (cm ³)
	232	0.38/0.66	0.31/0.38
BRUSHES	TZ 5.5; TZ 6; TZ 8; TZ 12; TZ18;		



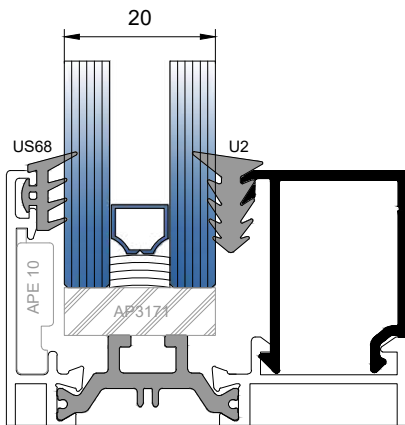
375 0530
/24mm glass bead/
weight: 260gr/m



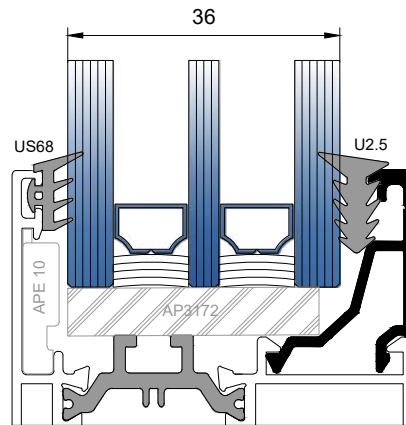
1200
/20mm glass bead/
weight: 270gr/m



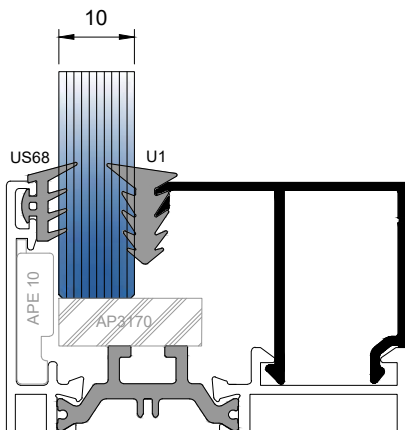
375 0550
/38mm glass bead/
weight: 203gr/m



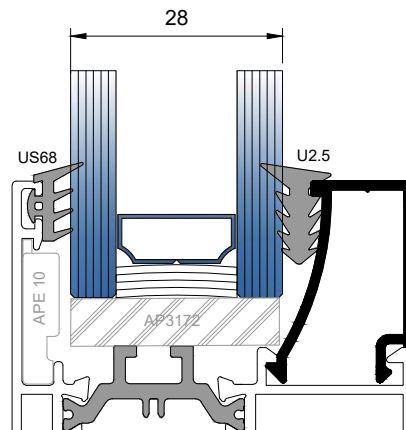
375 0520
/20mm glass bead/
weight: 268gr/m



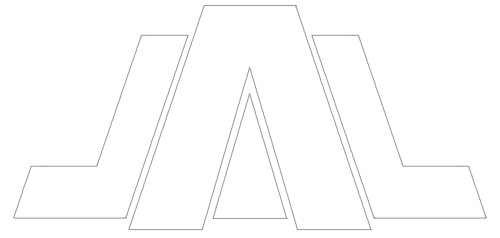
1017
/36mm glass bead/
weight: 222gr/m



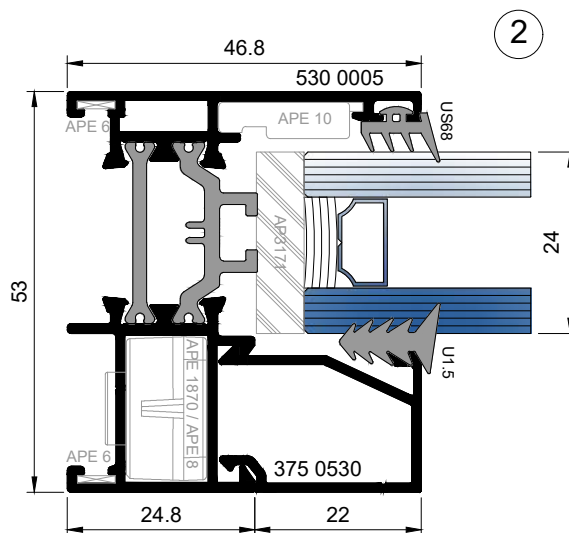
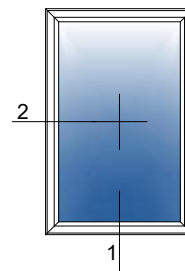
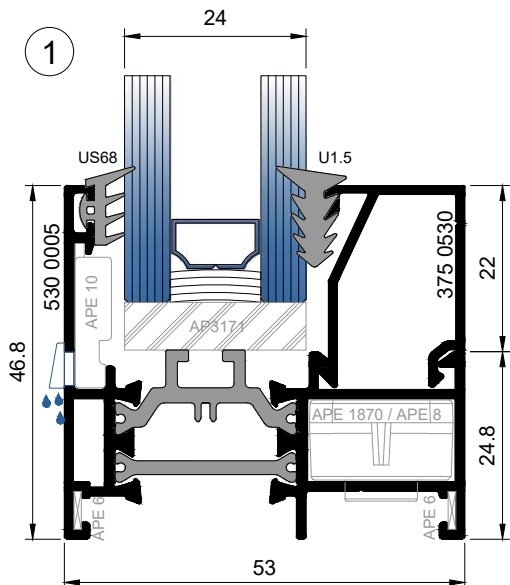
375 0510
/10mm glass bead/
weight: 290gr/m

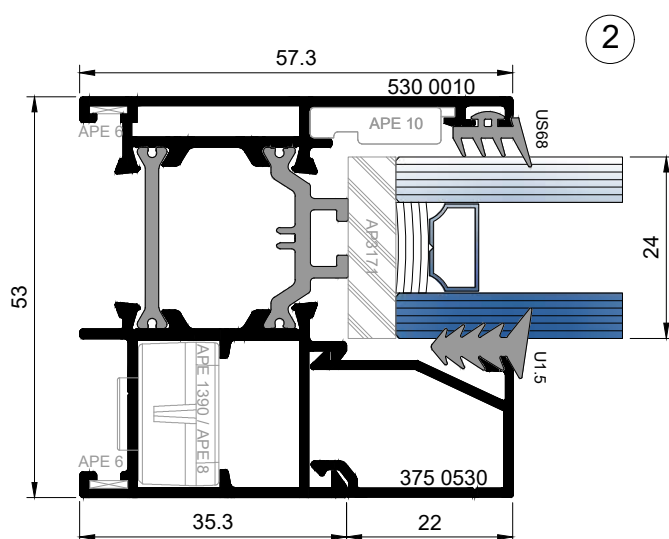
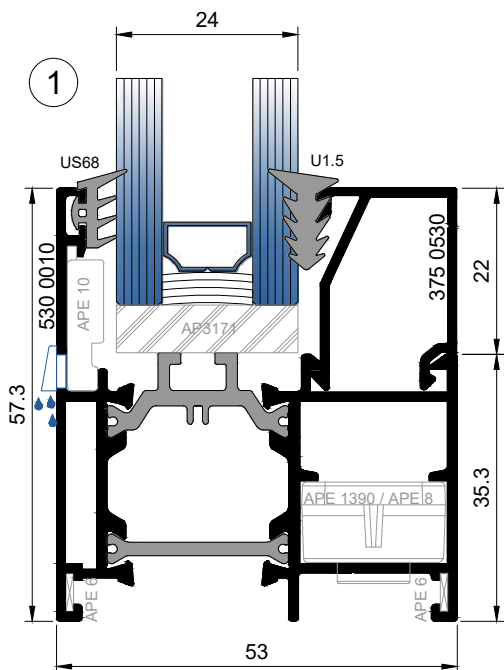
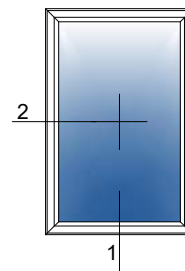


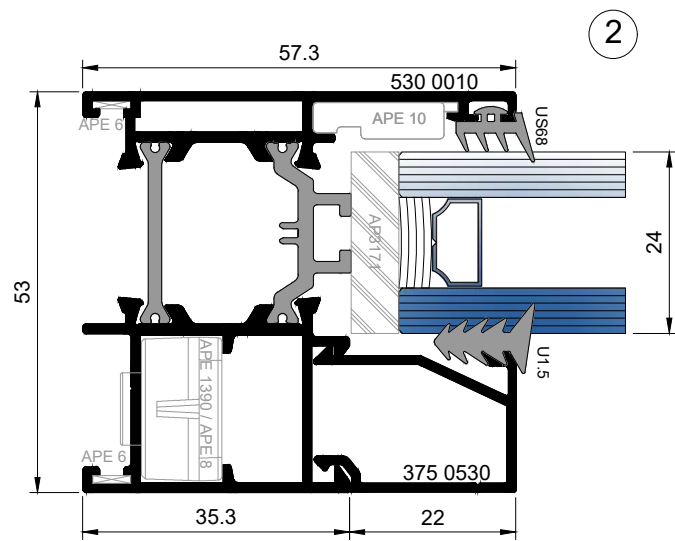
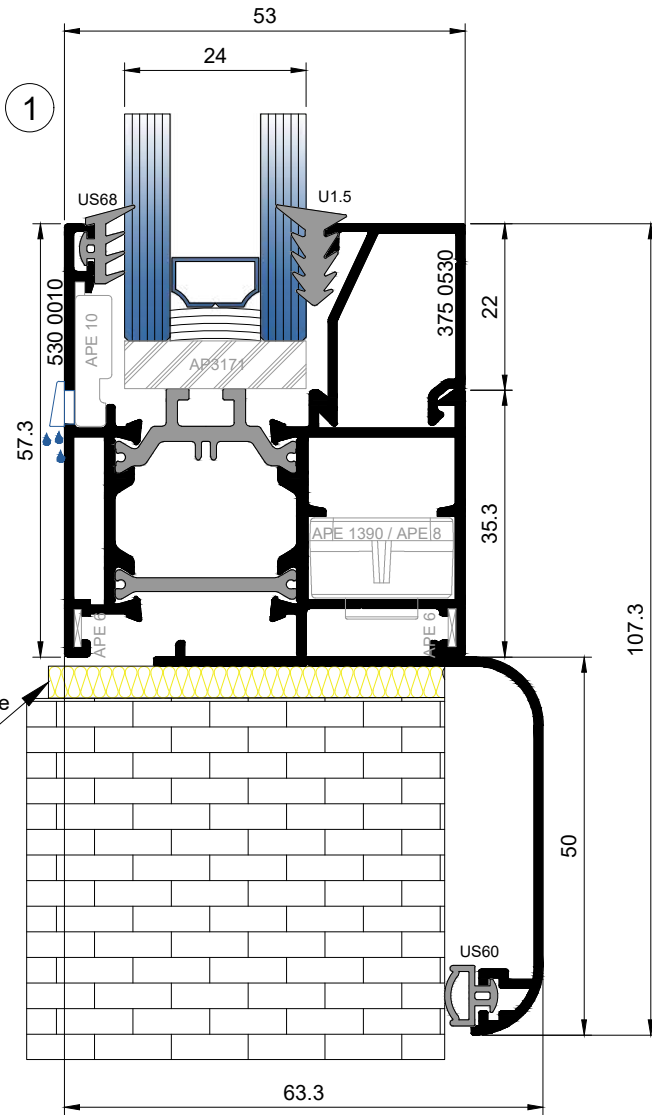
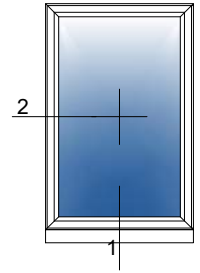
9312
/28mm glass bead/
weight: 235gr/m



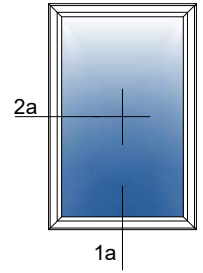
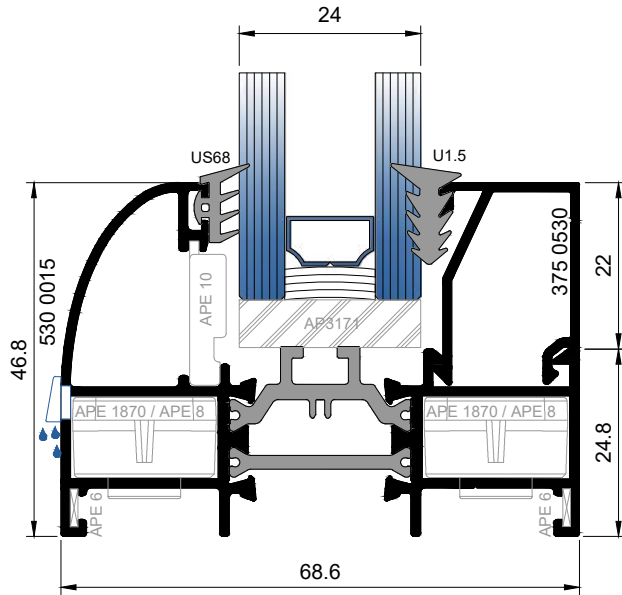
SECTIONS



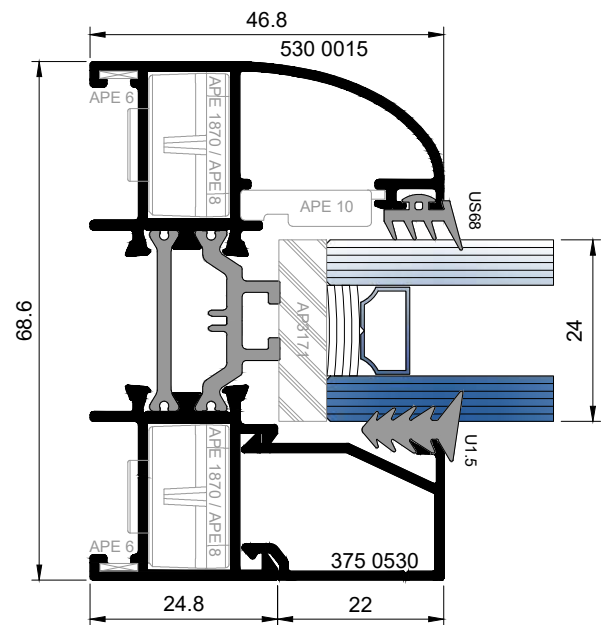


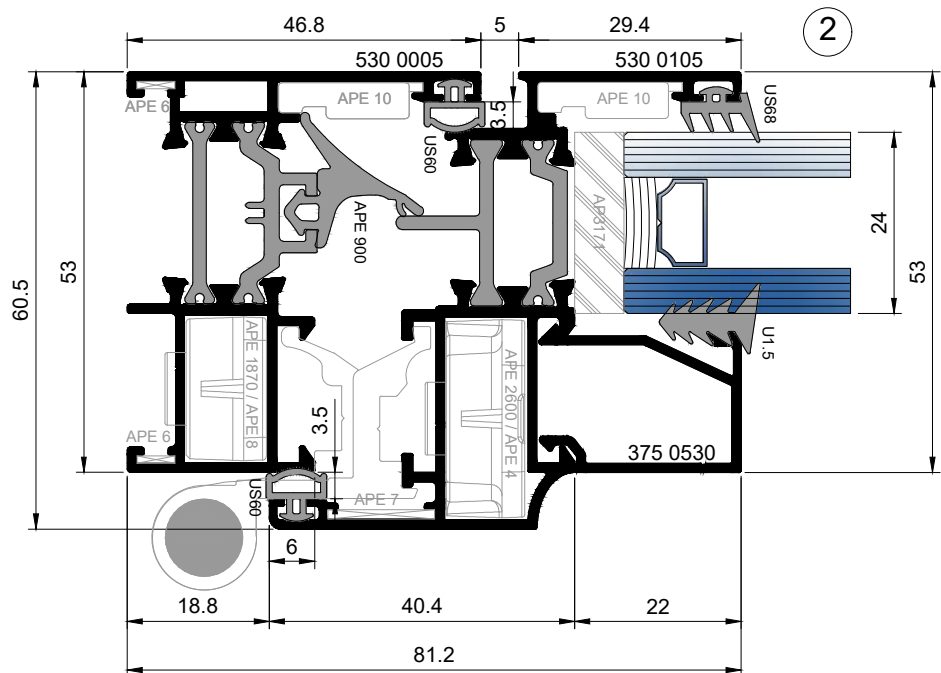
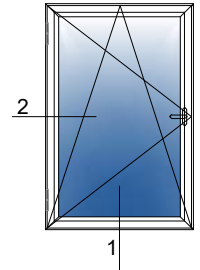
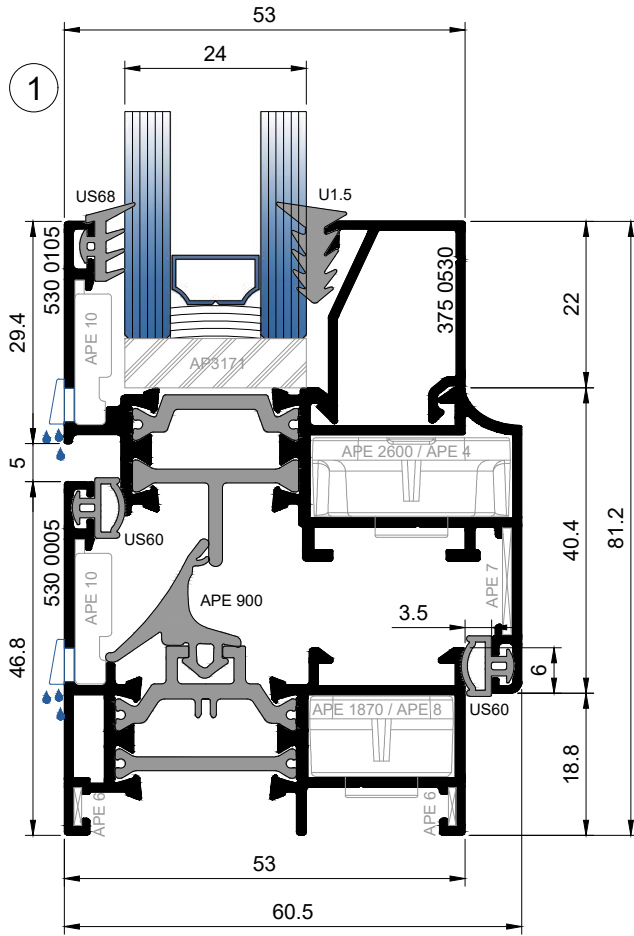


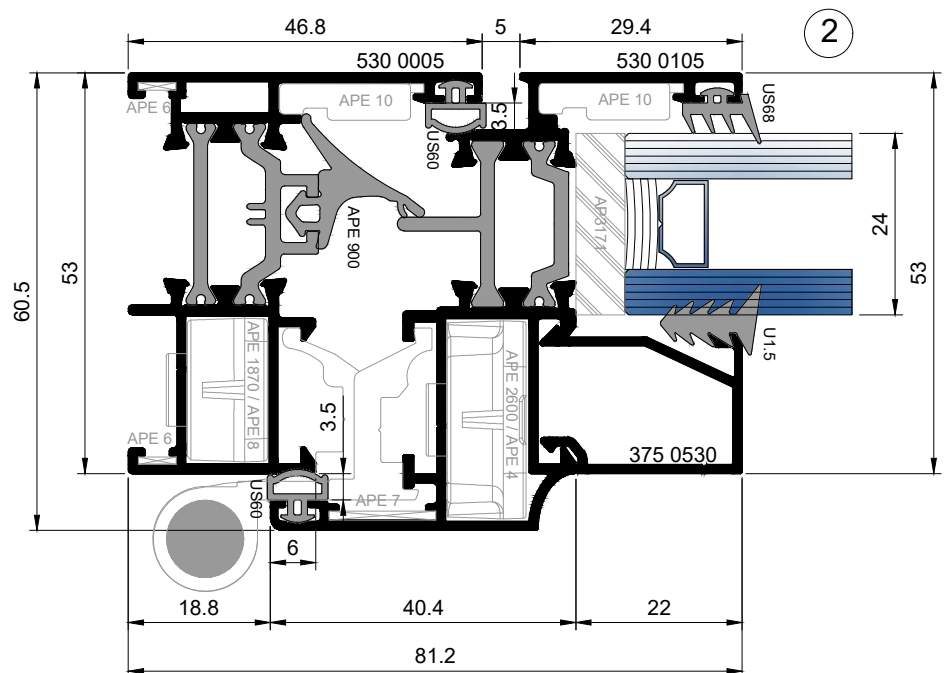
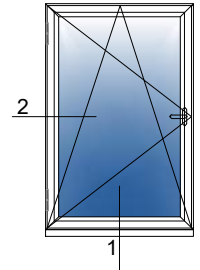
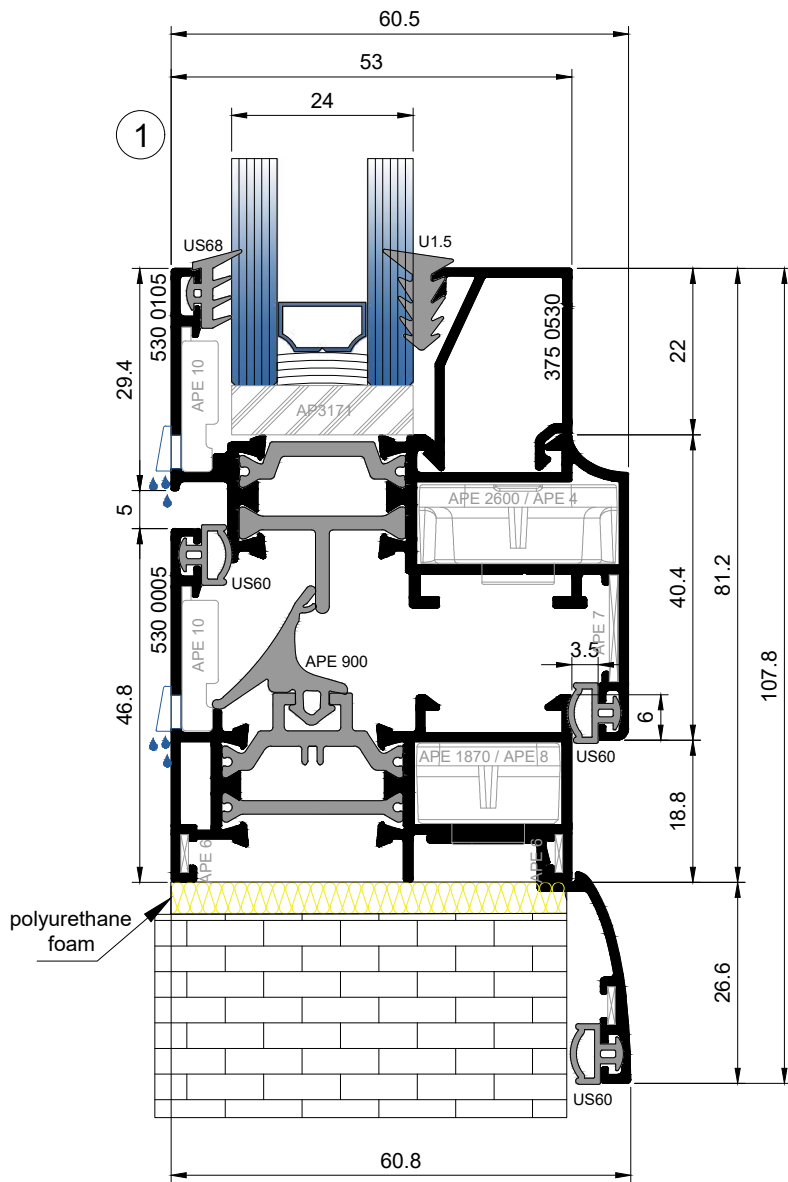
1a

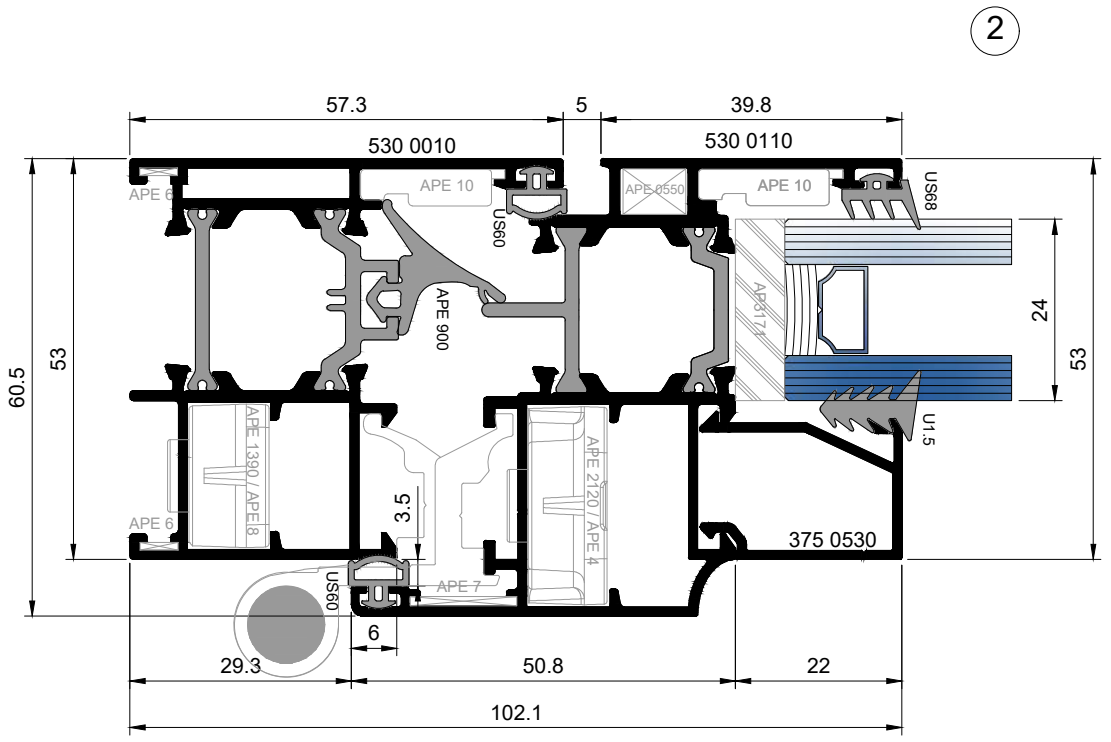
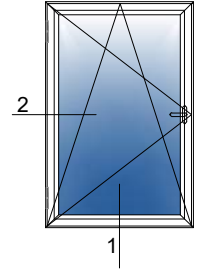
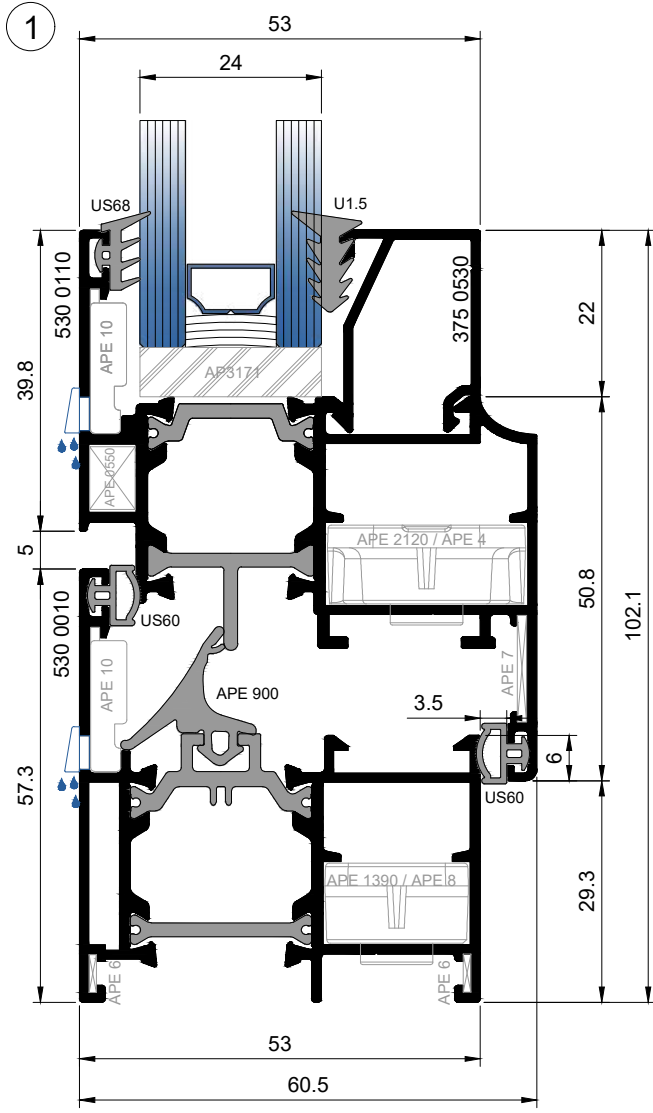


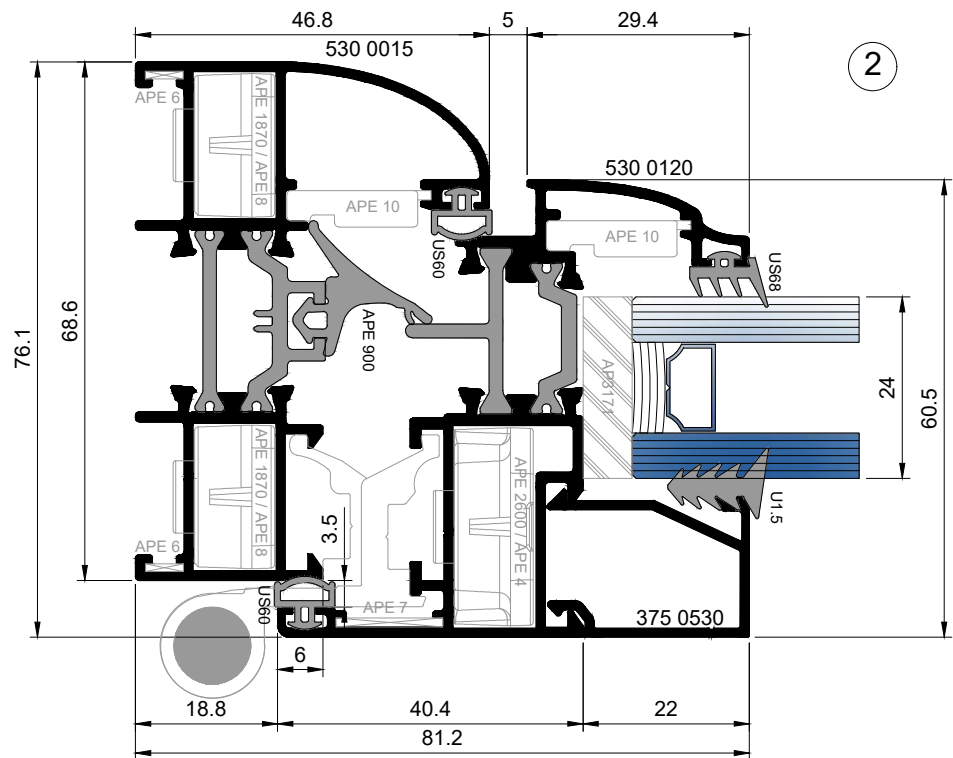
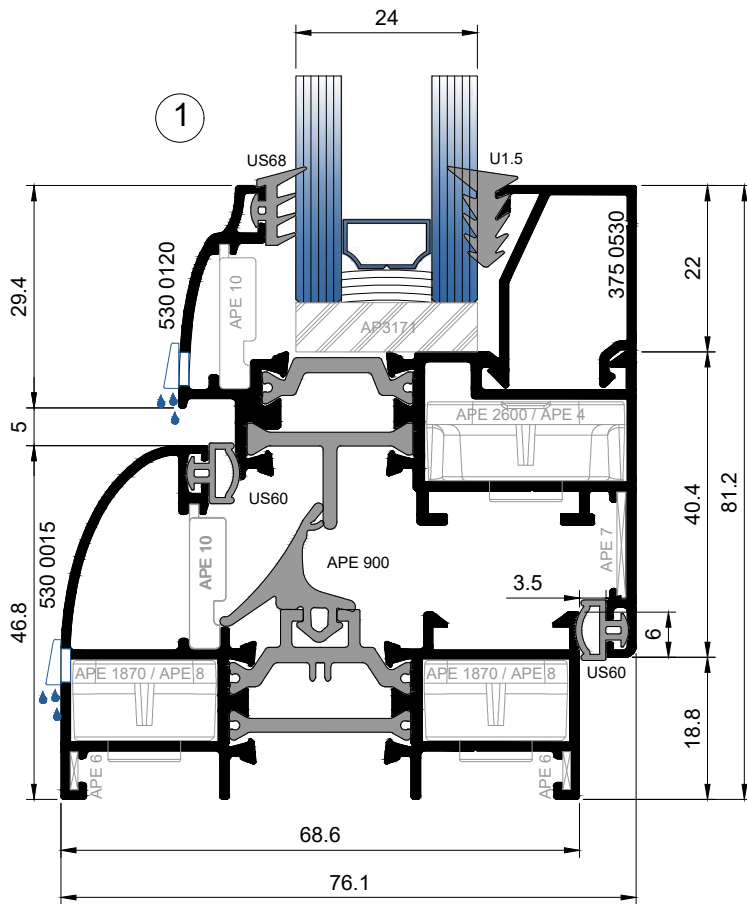
2a



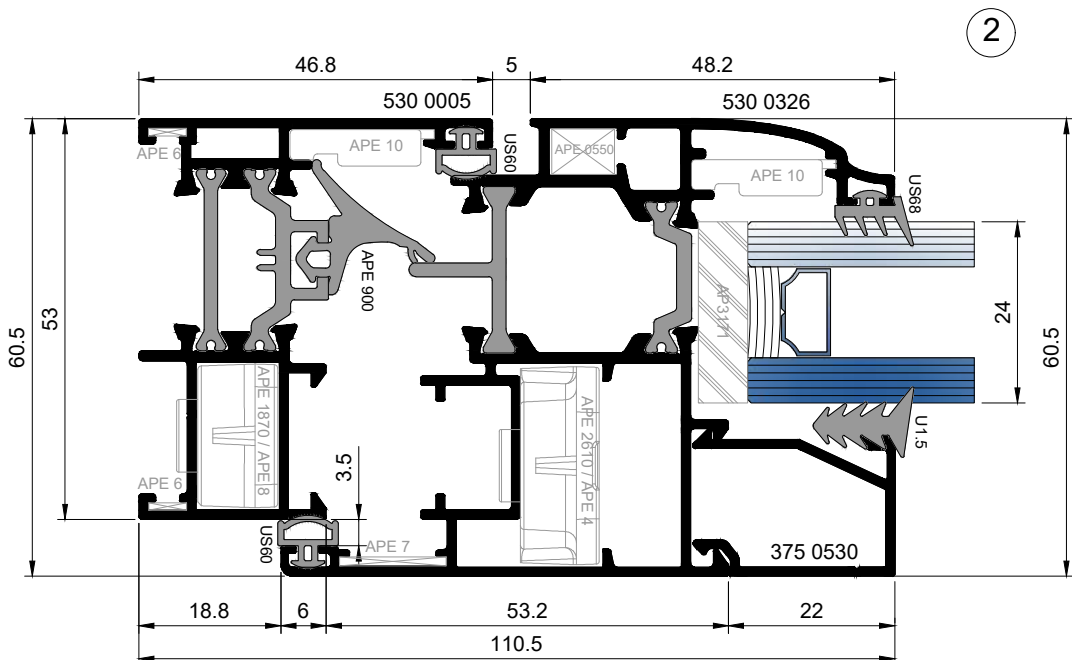
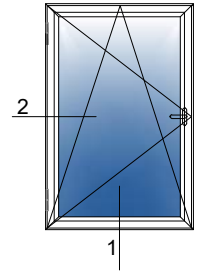
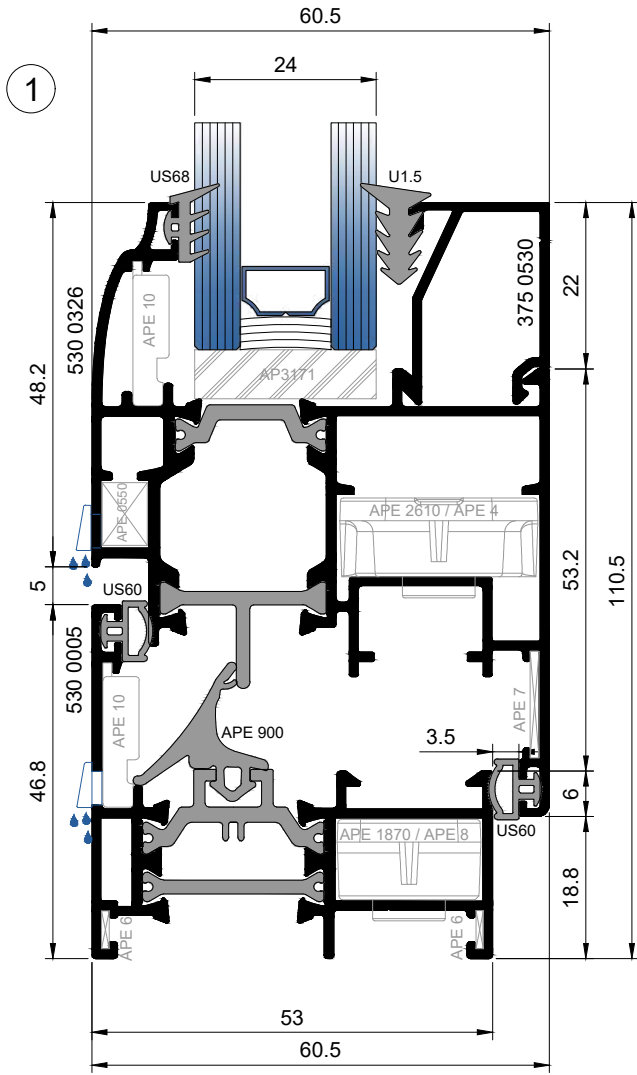




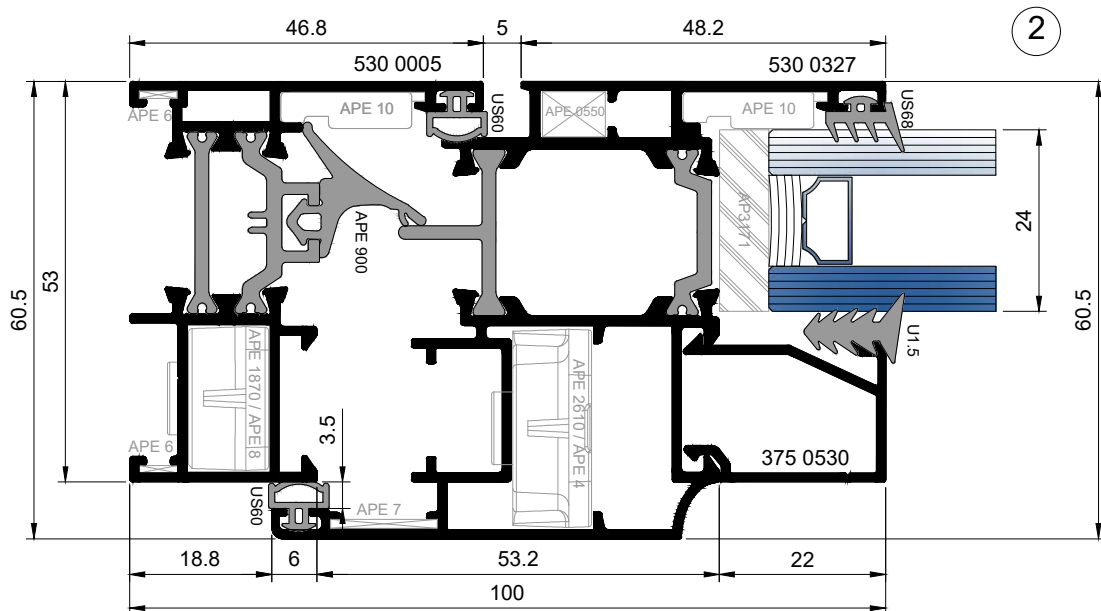
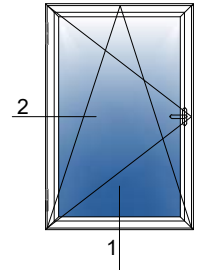
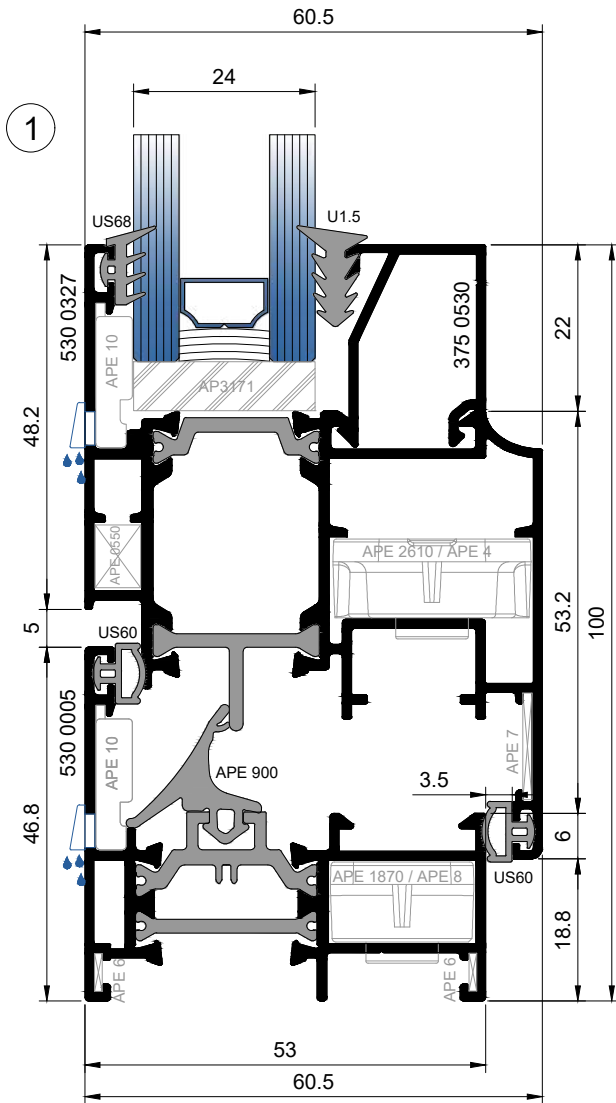




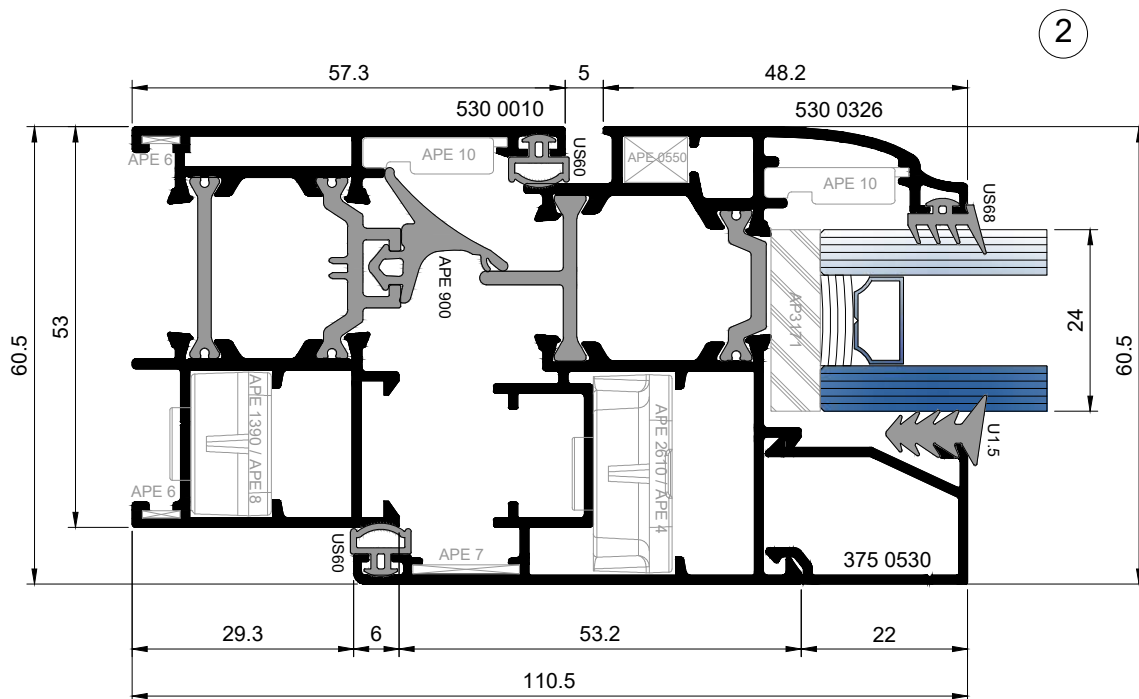
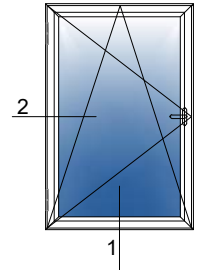
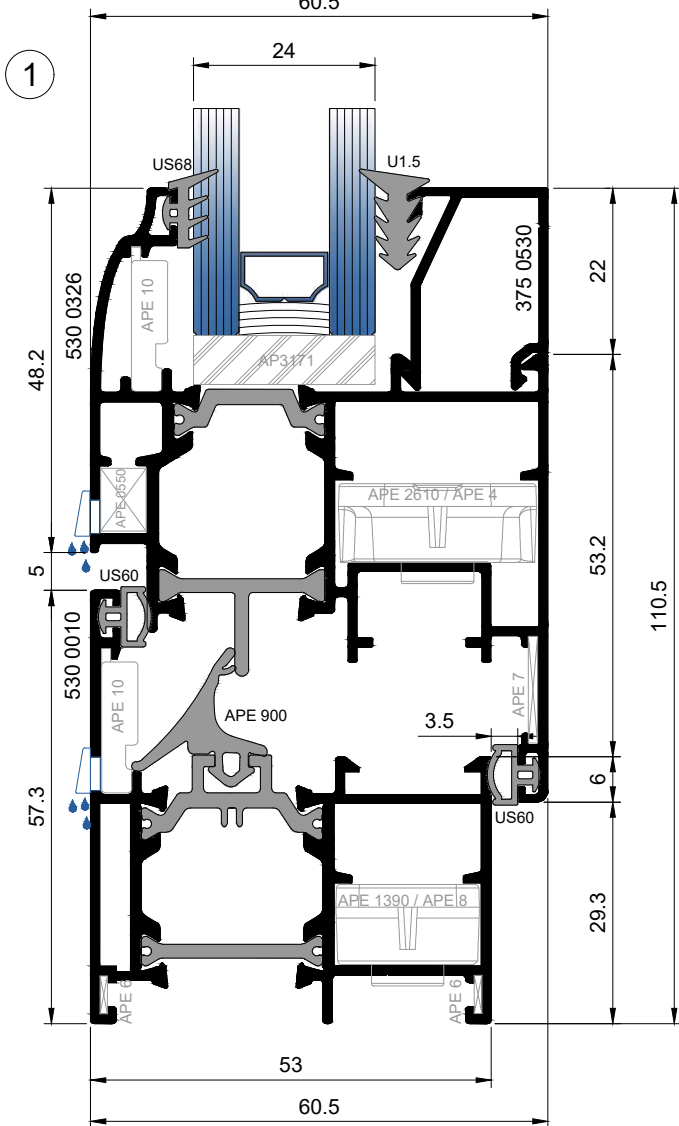
PVC hardware



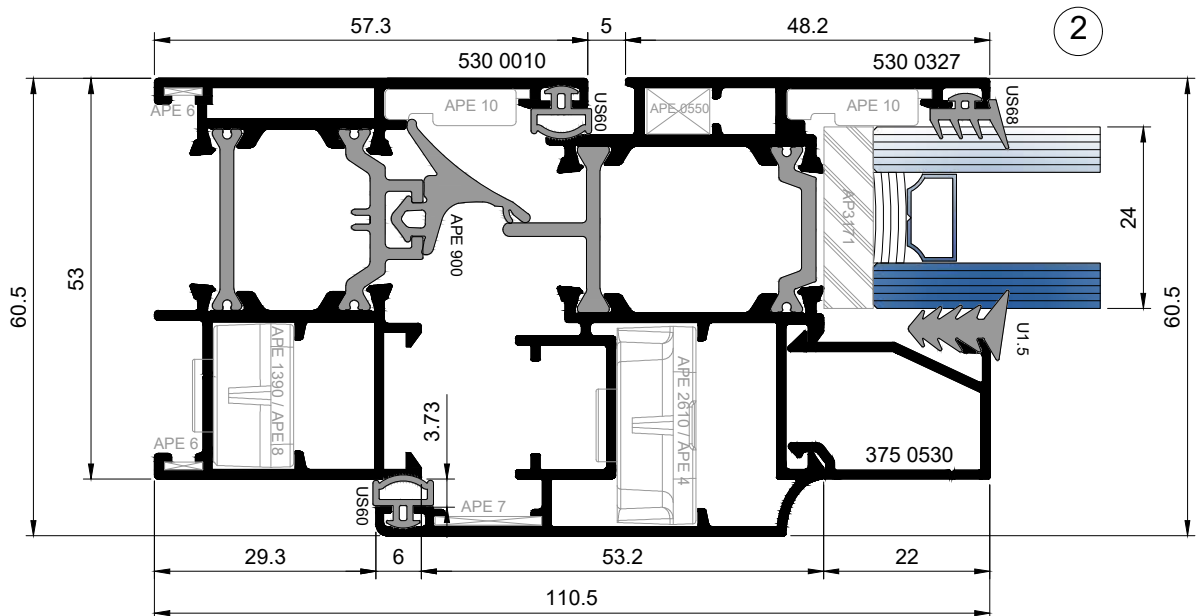
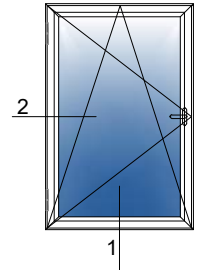
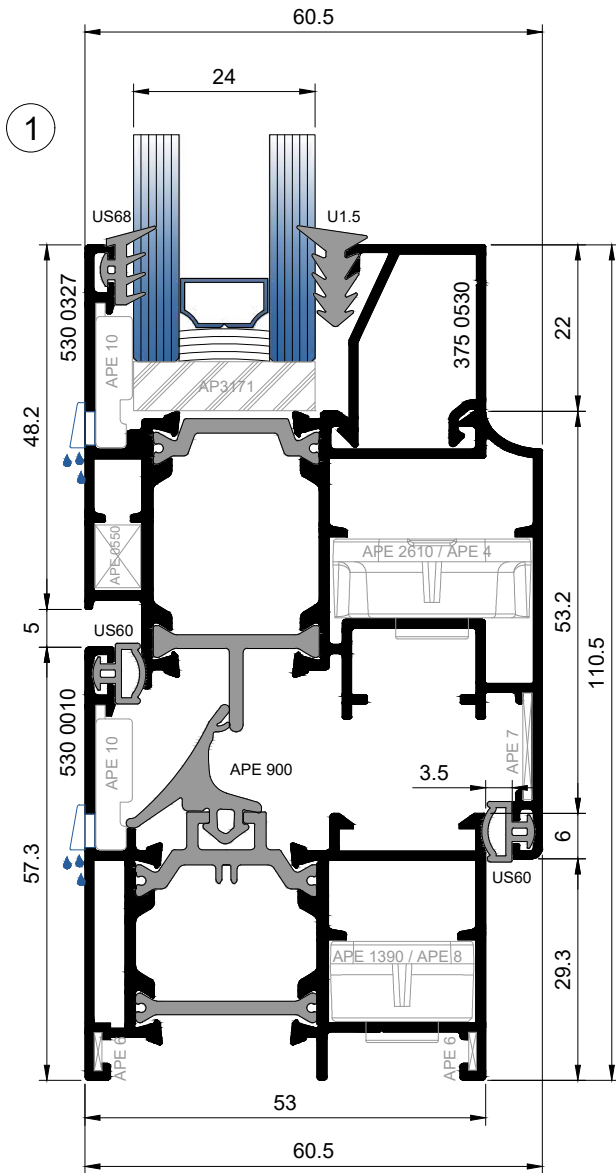
PVC hardware

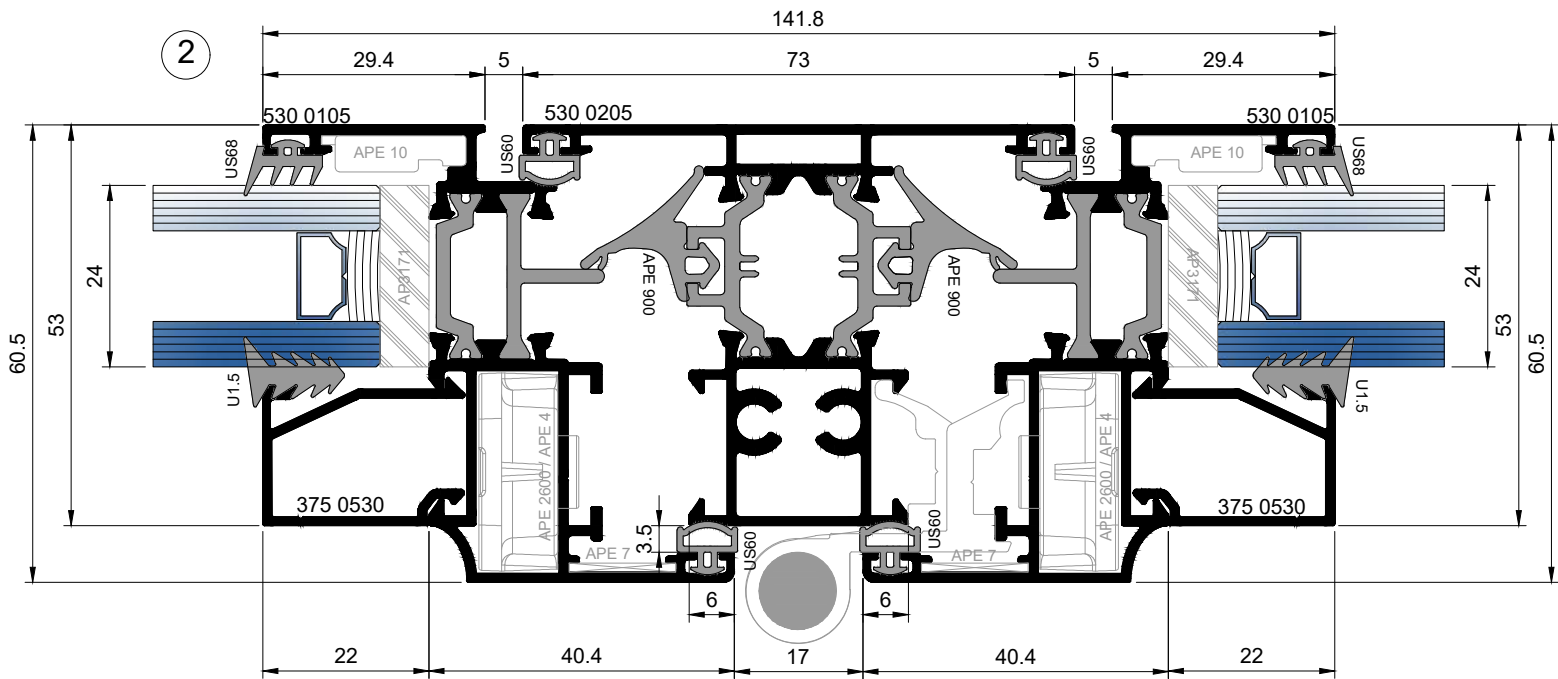
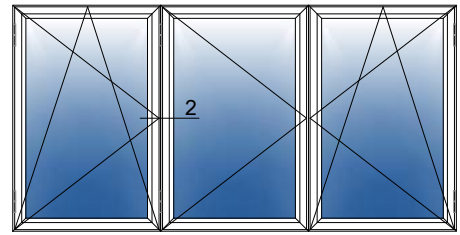
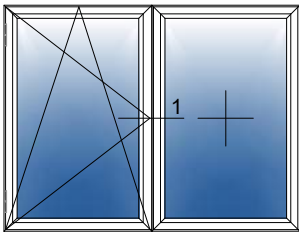
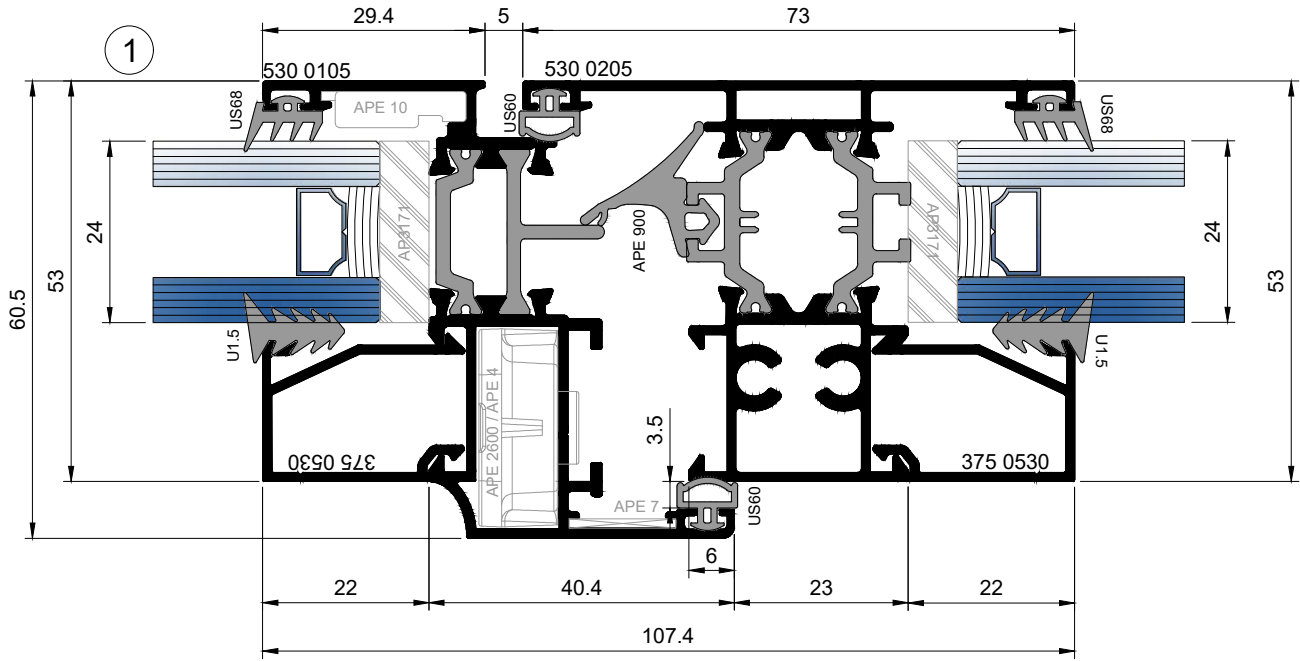


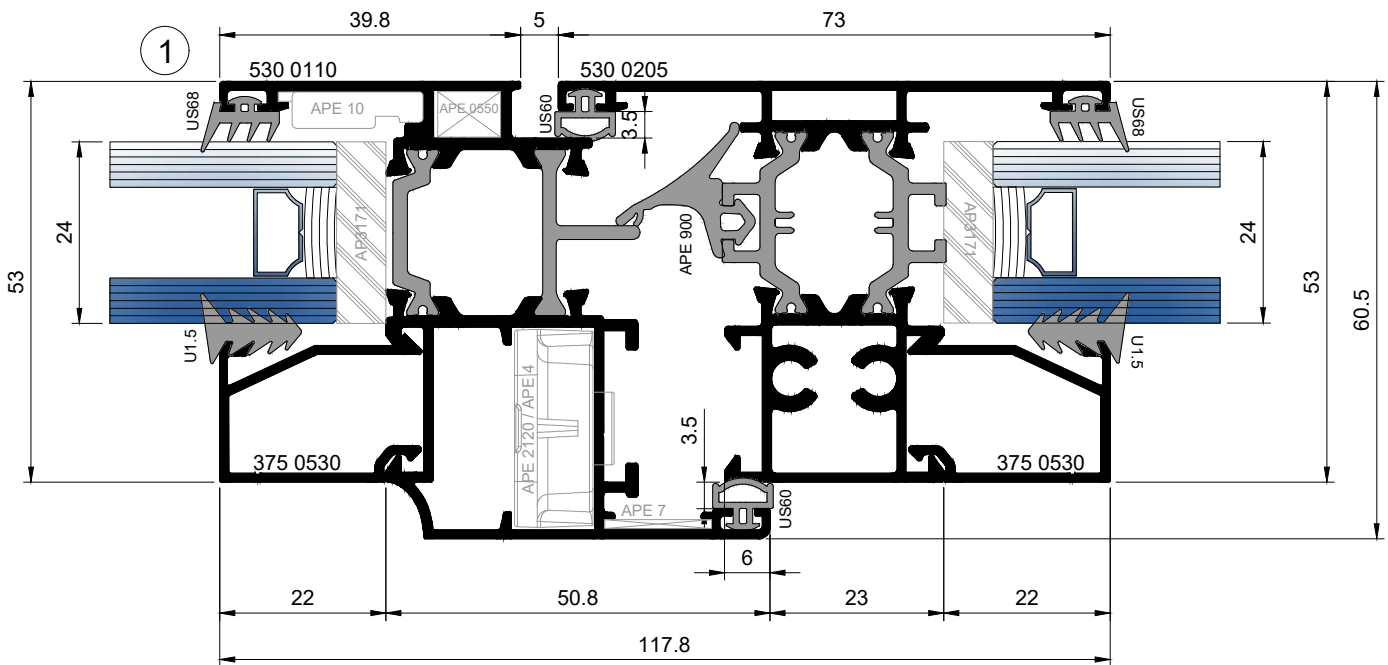
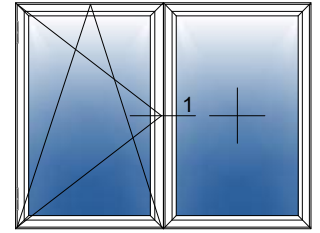
PVC hardware



PVC hardware

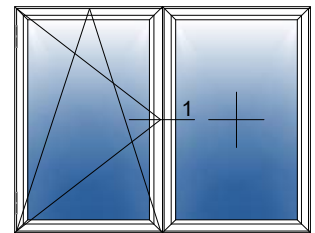




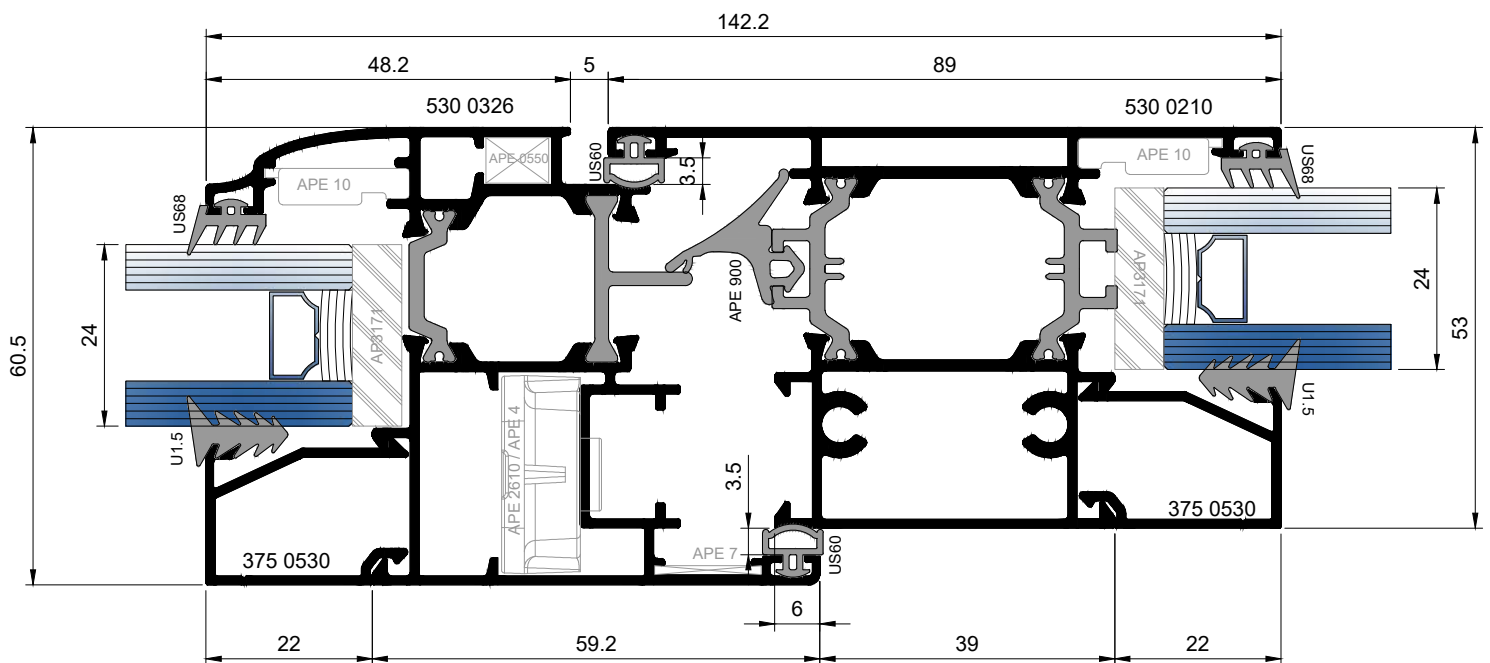


Series Eskimos

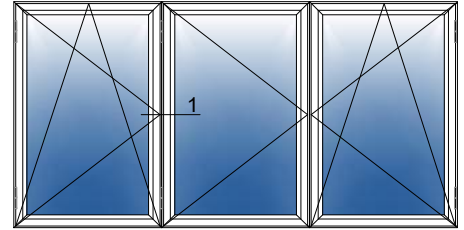
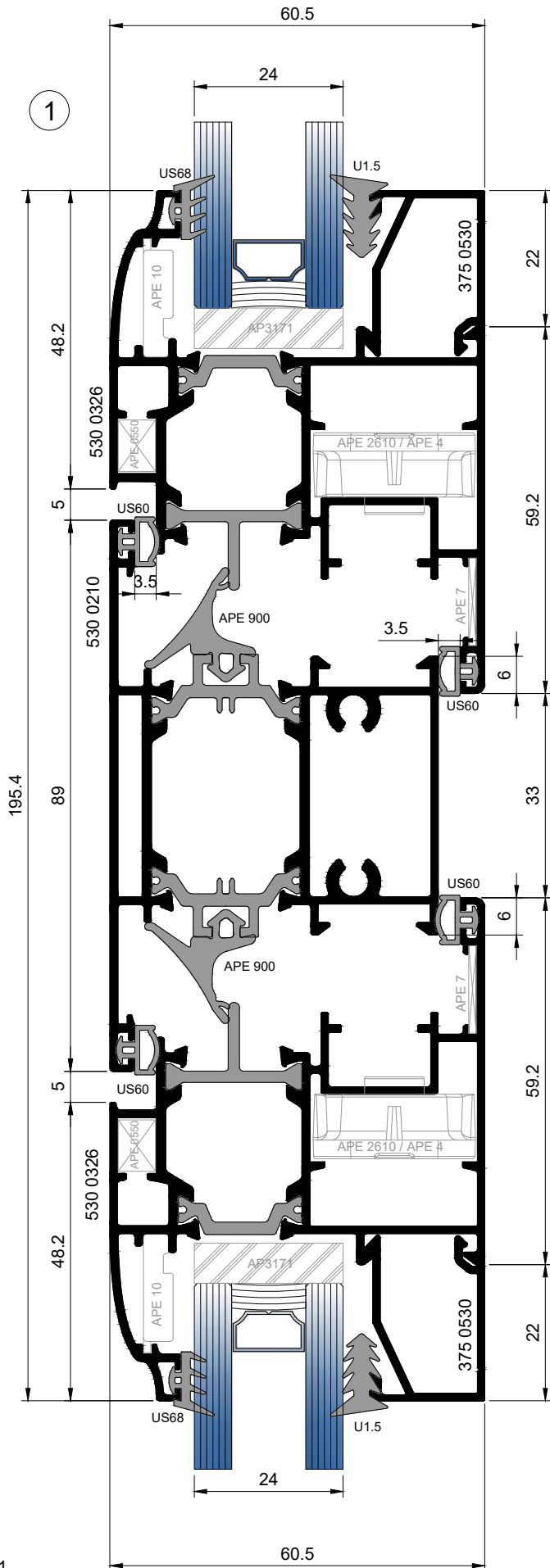
PVC hardware



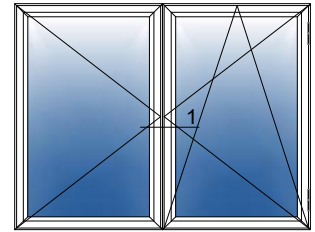
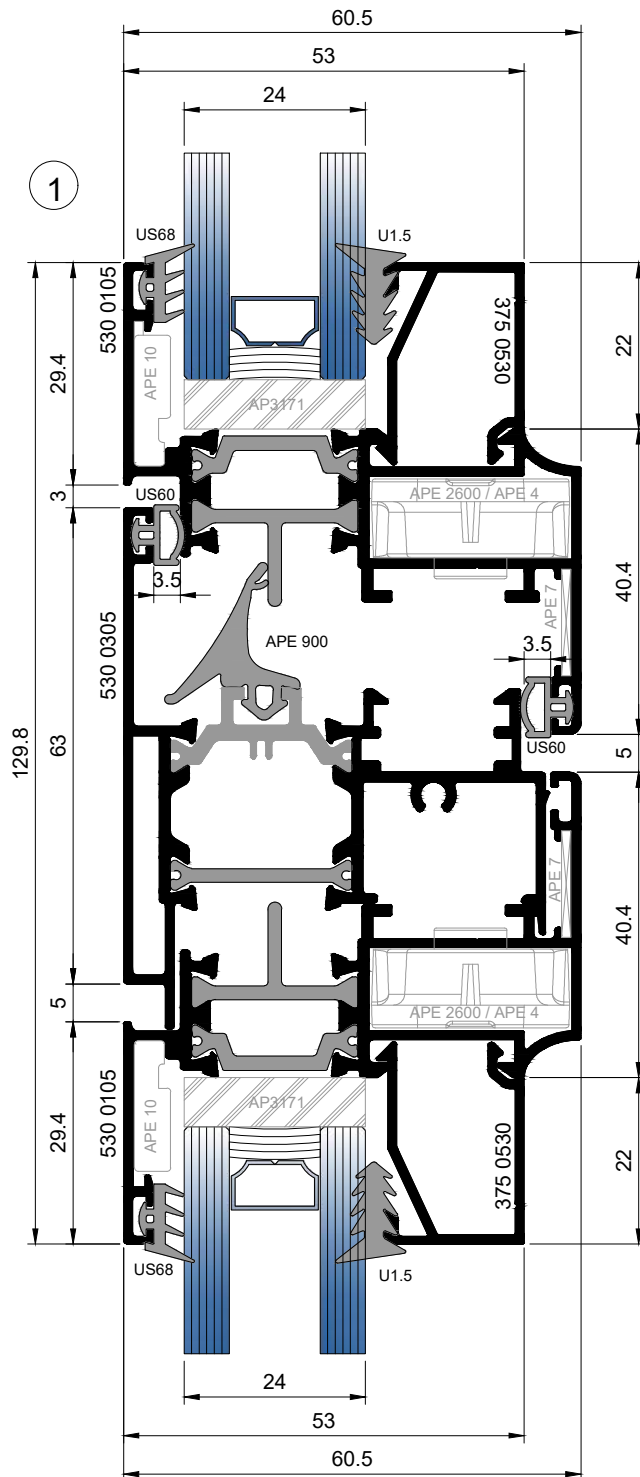
1

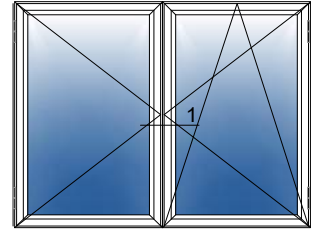
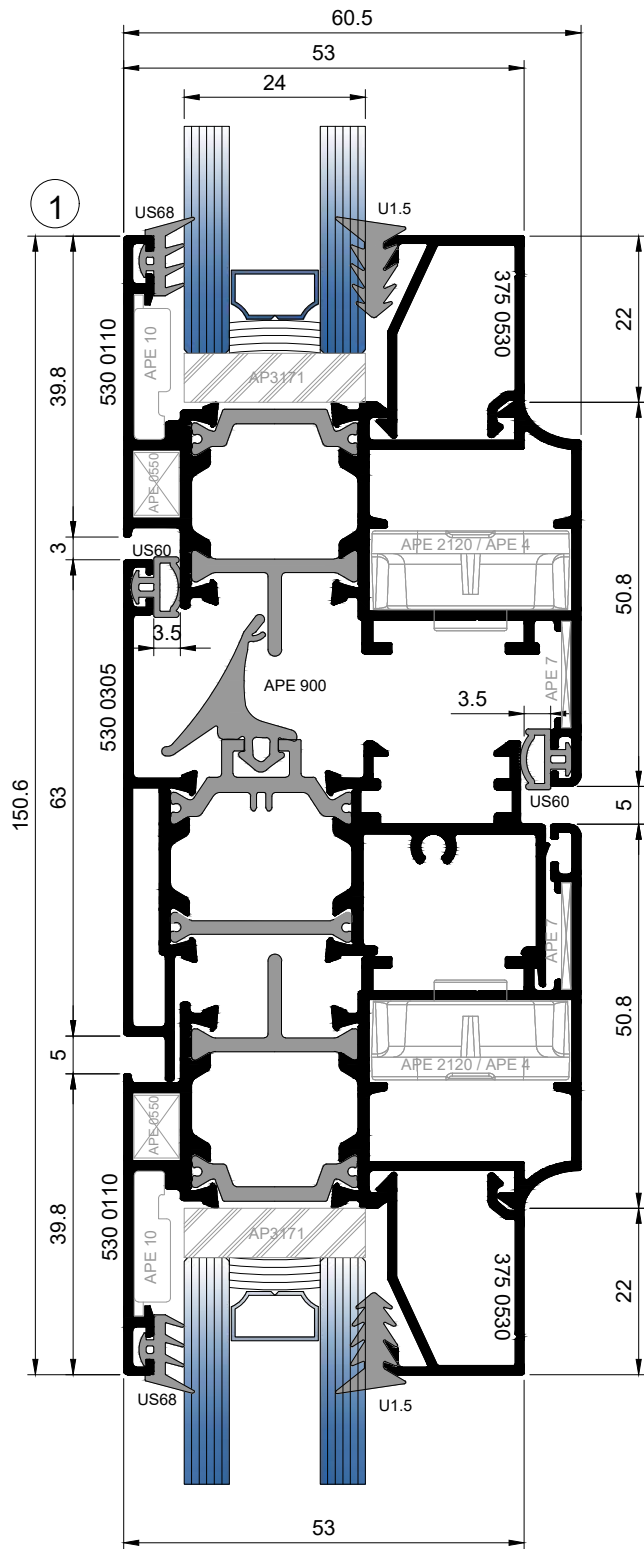


PVC hardware

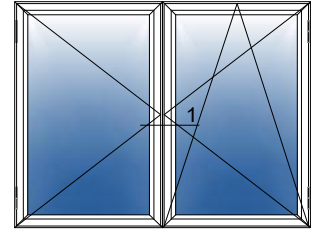
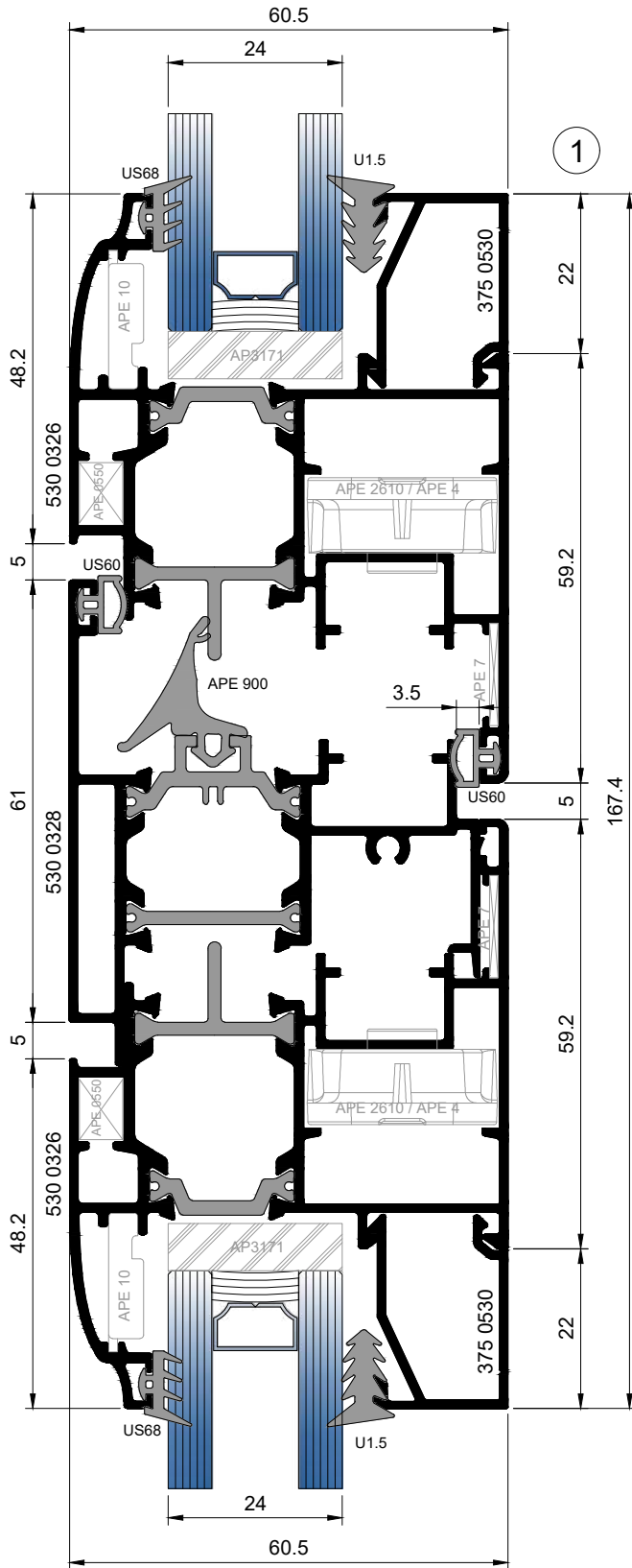


scale 1:1

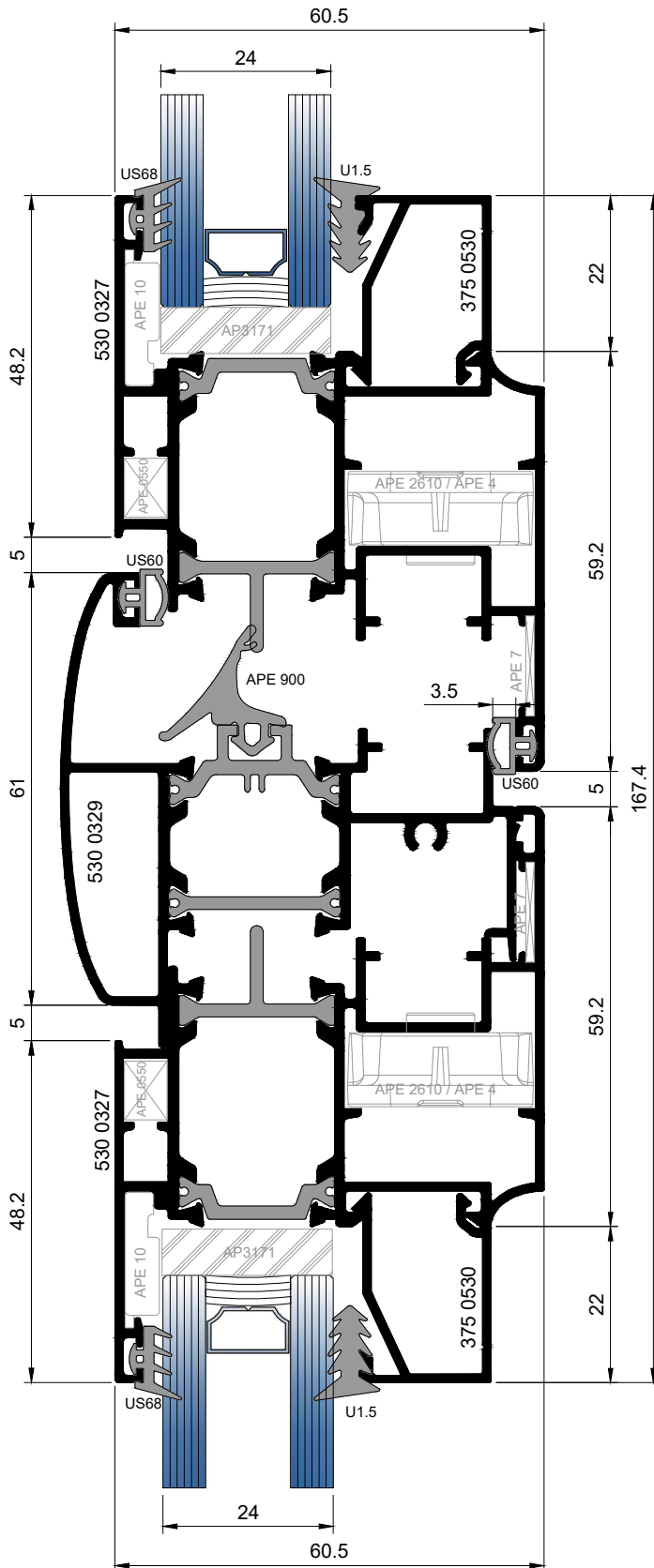
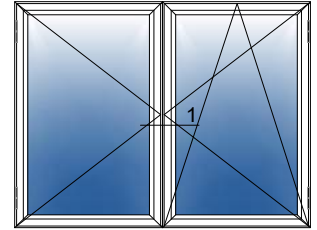


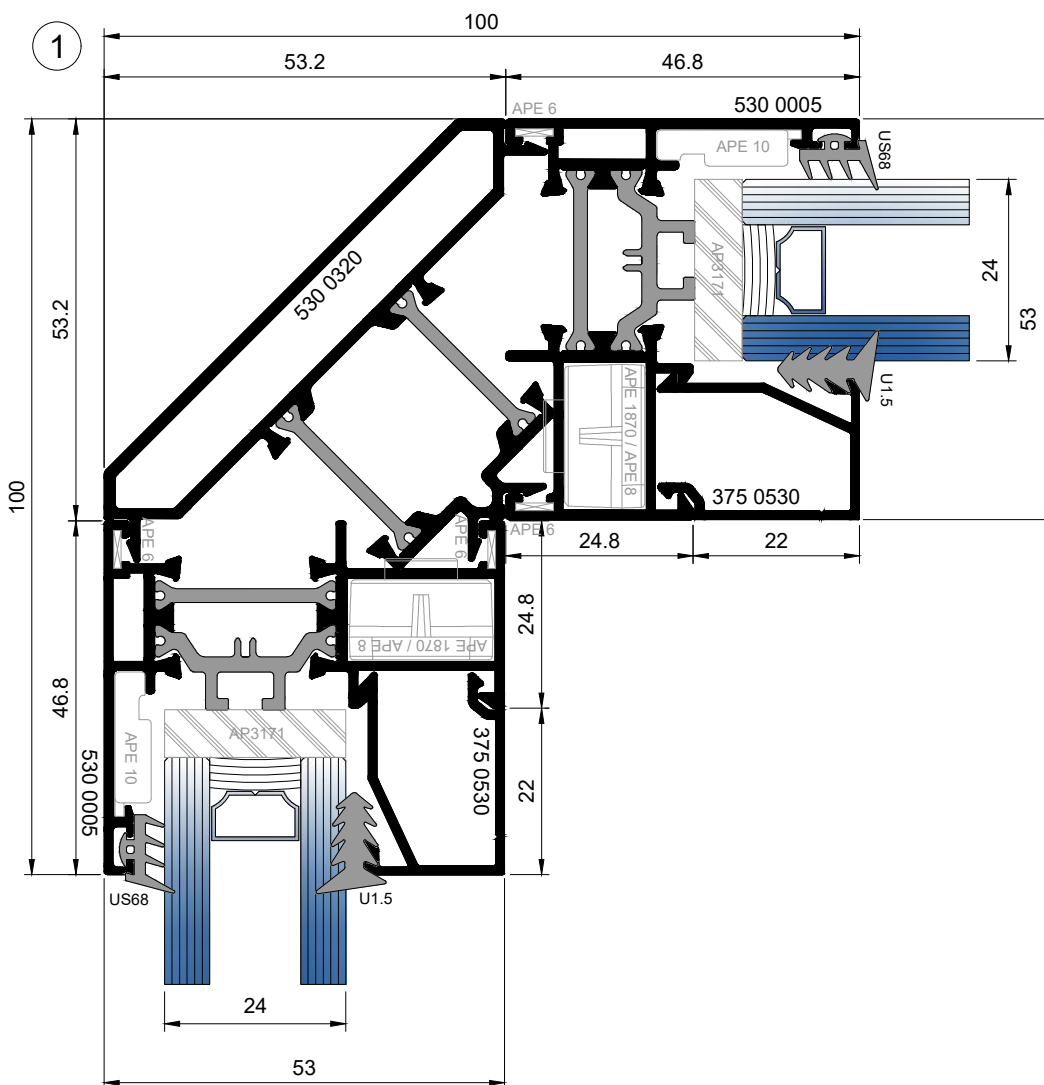
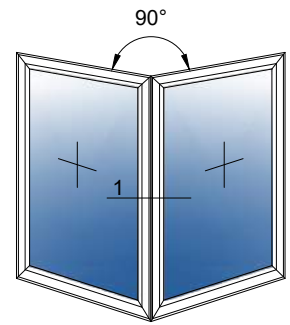


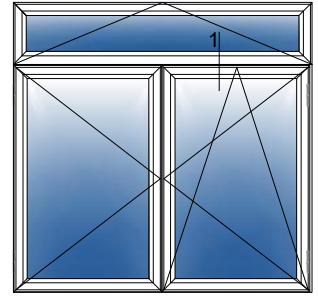
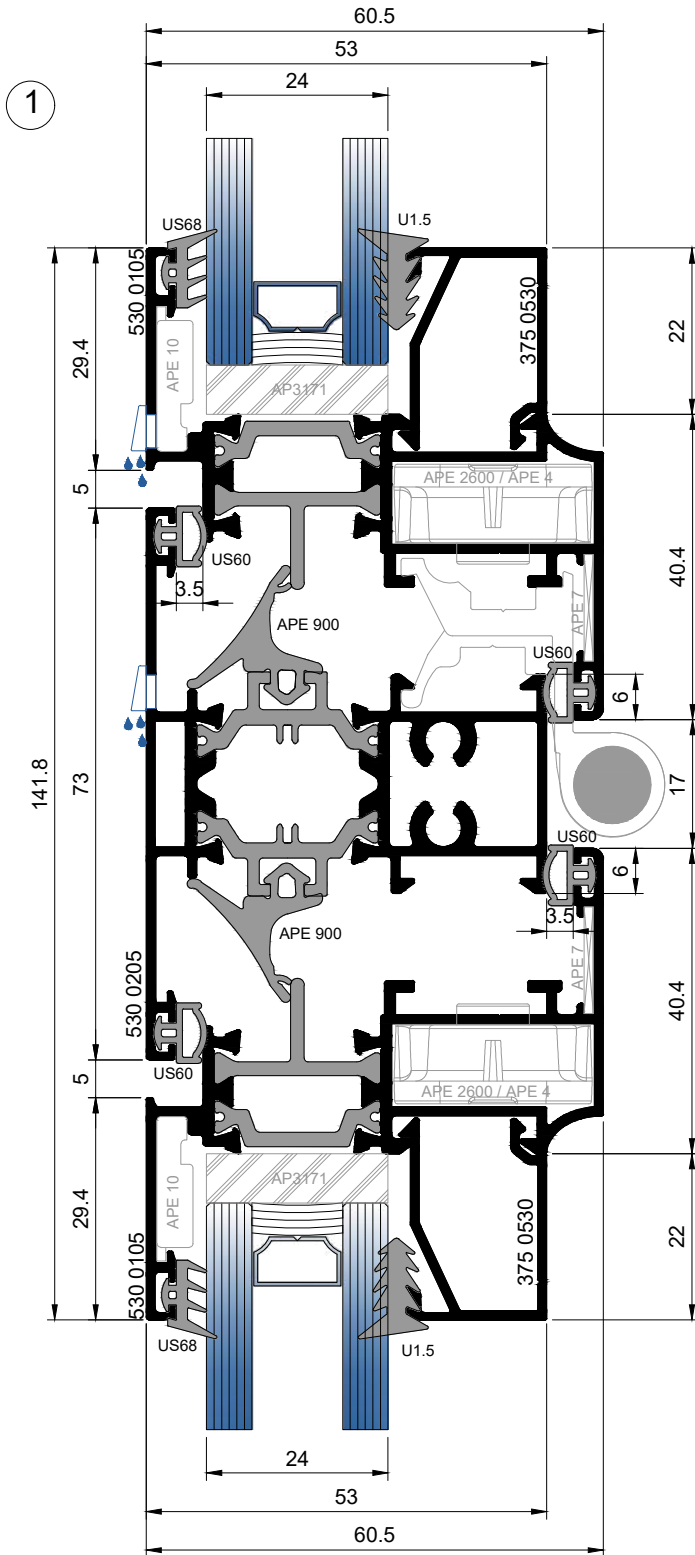
PVC hardware

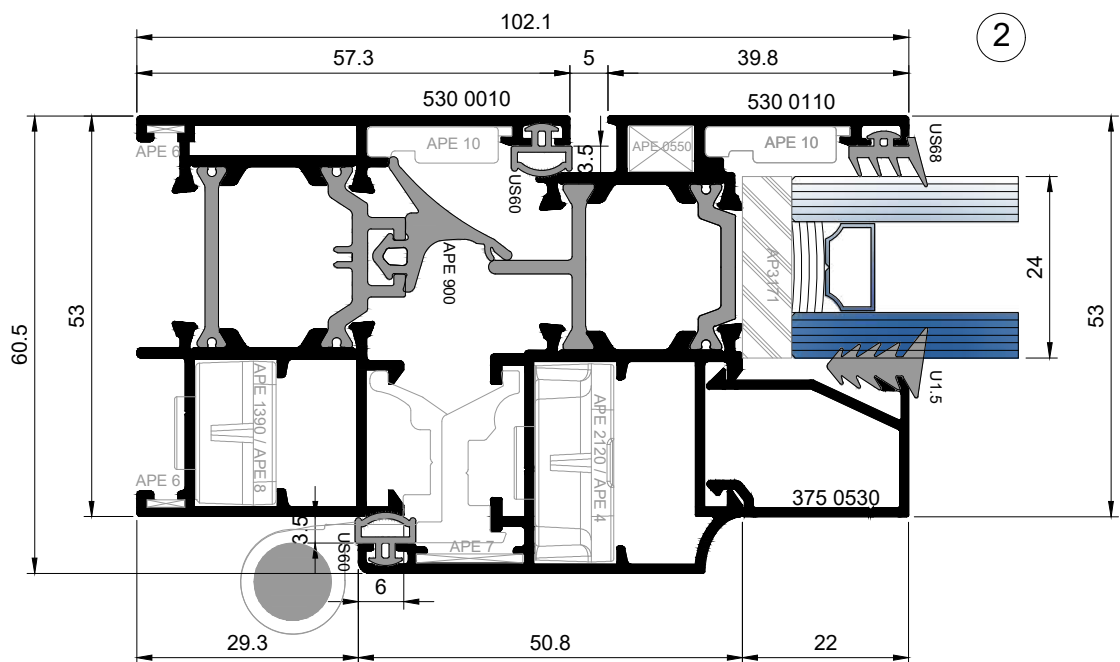
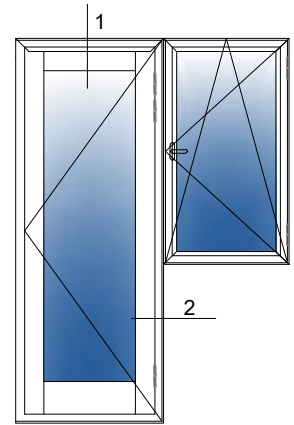
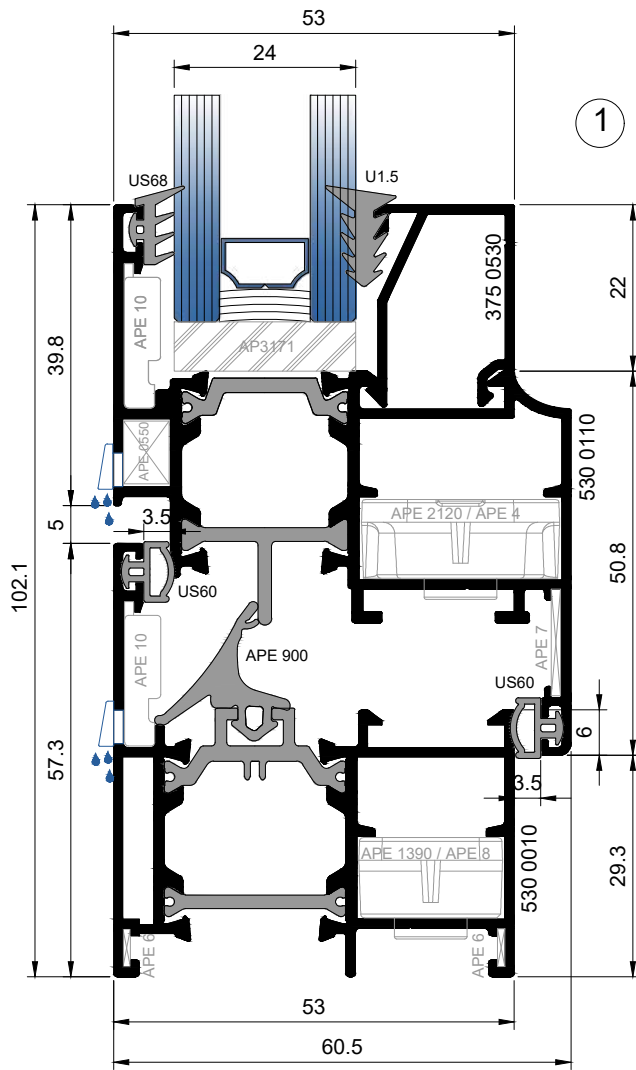


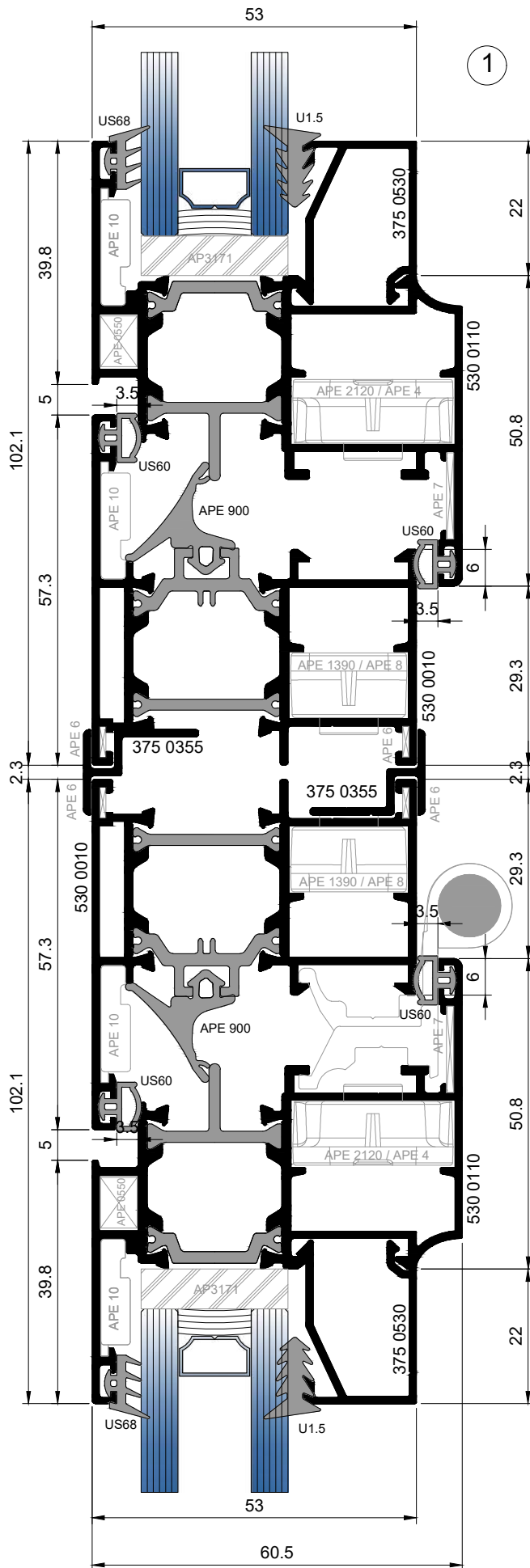
PVC hardware



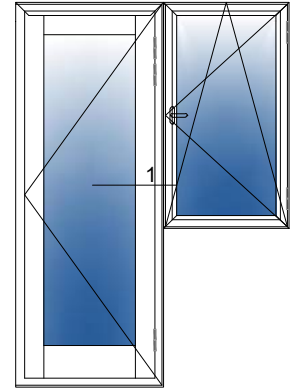


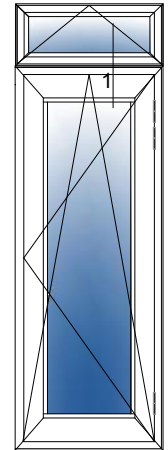
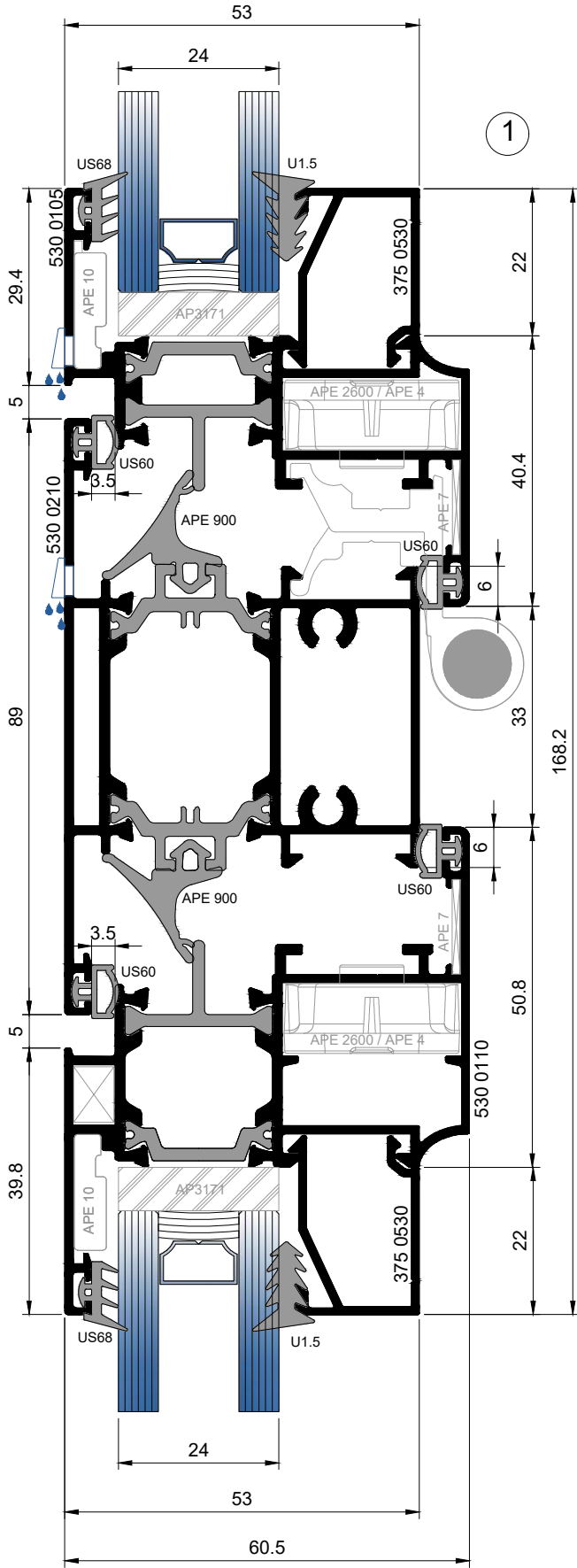


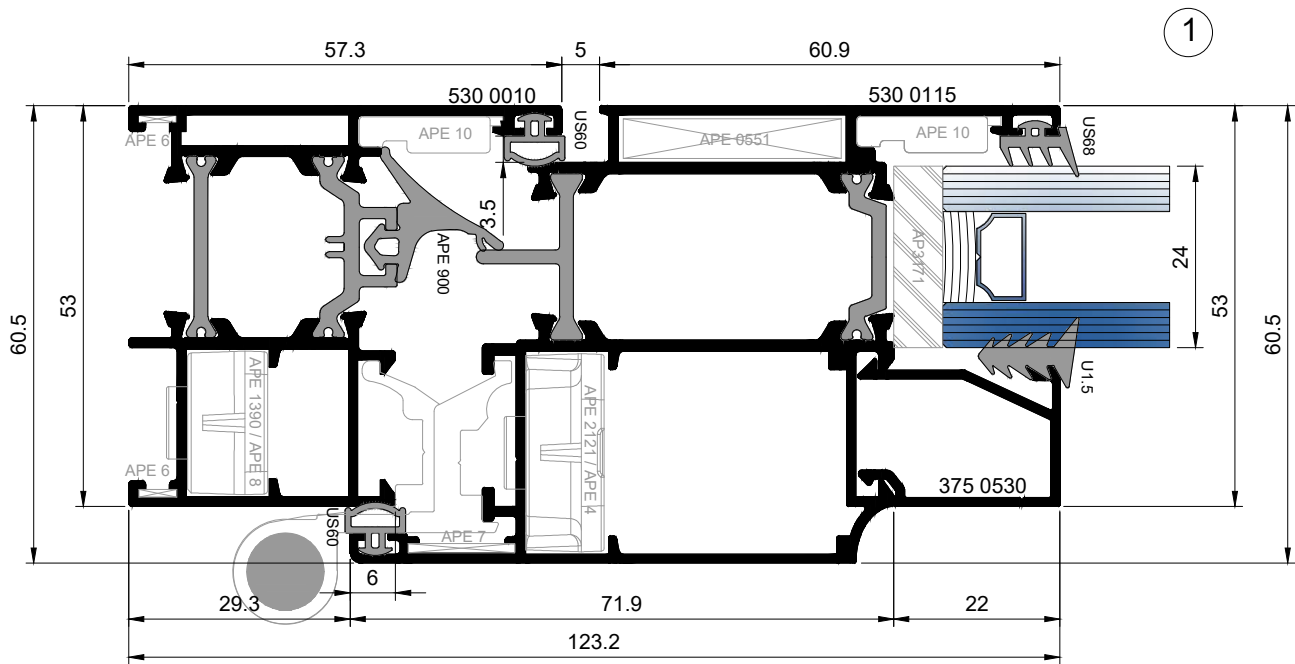
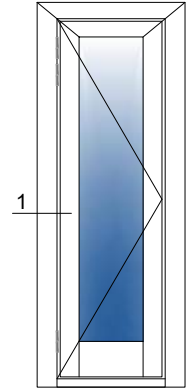




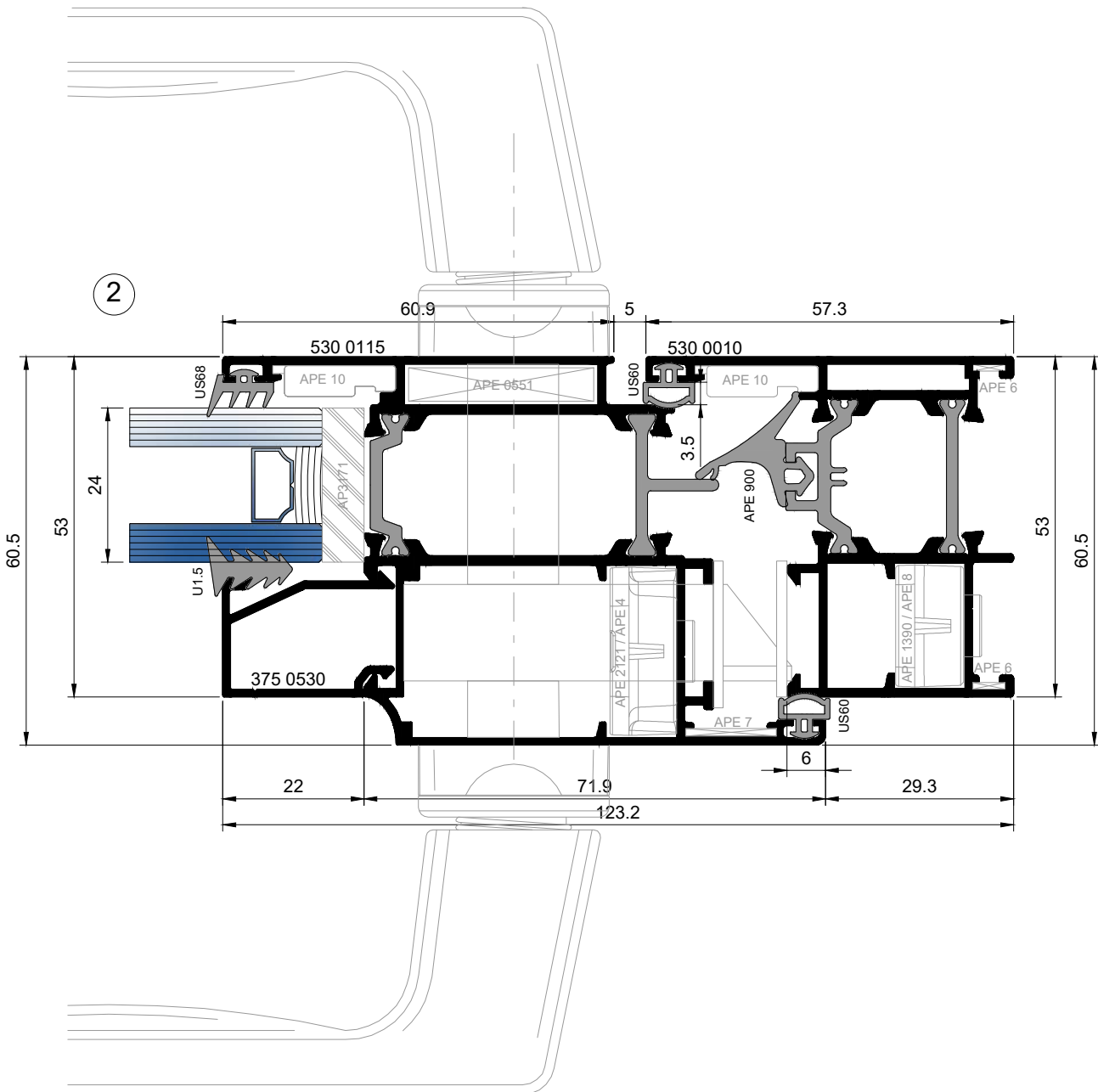
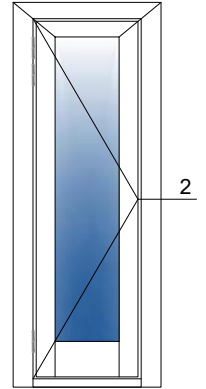
1

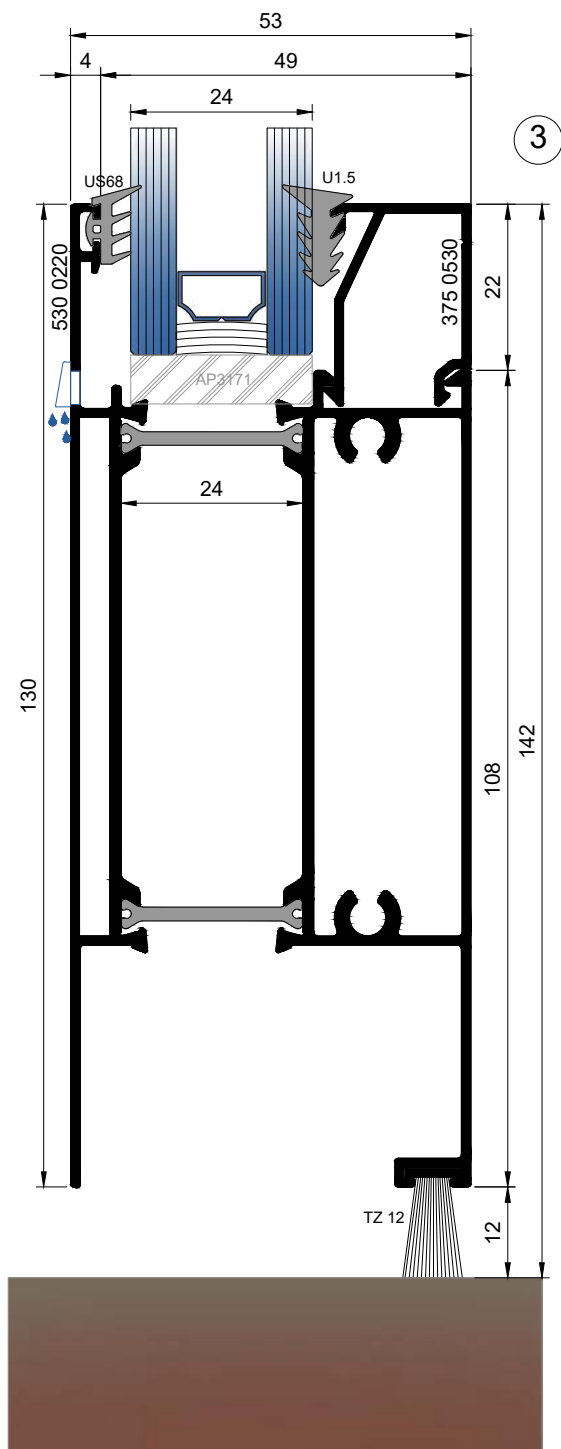
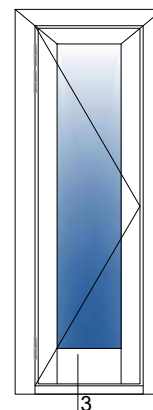


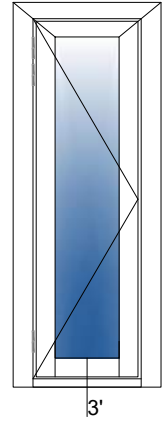
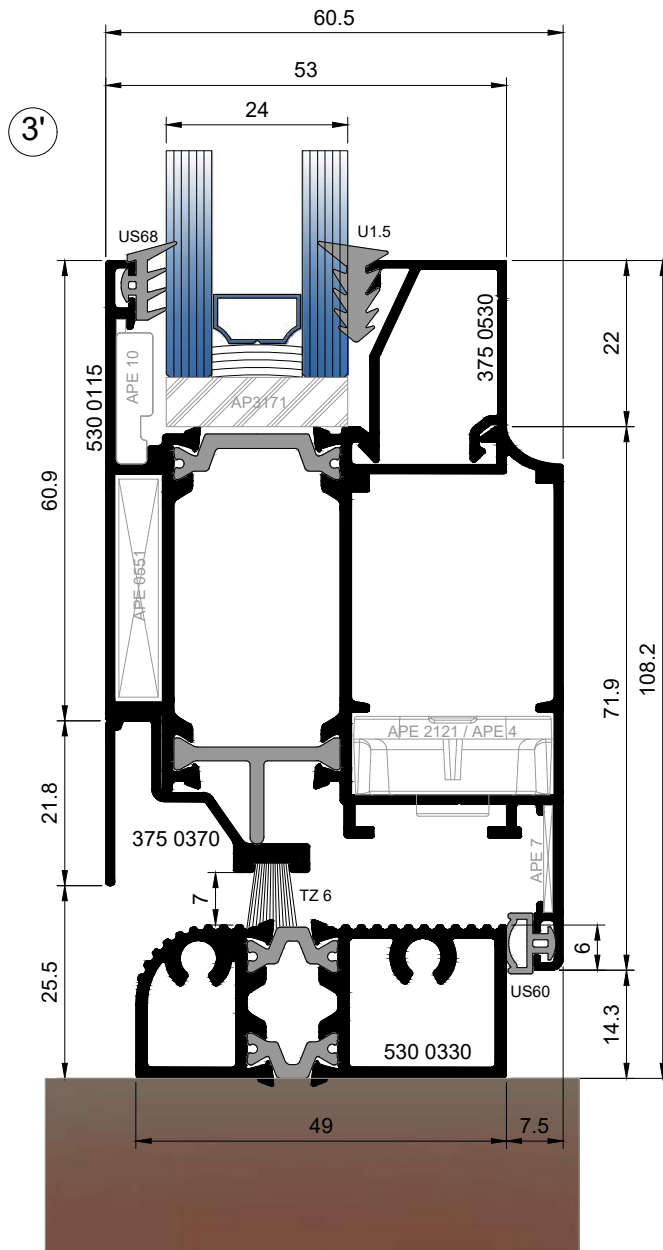


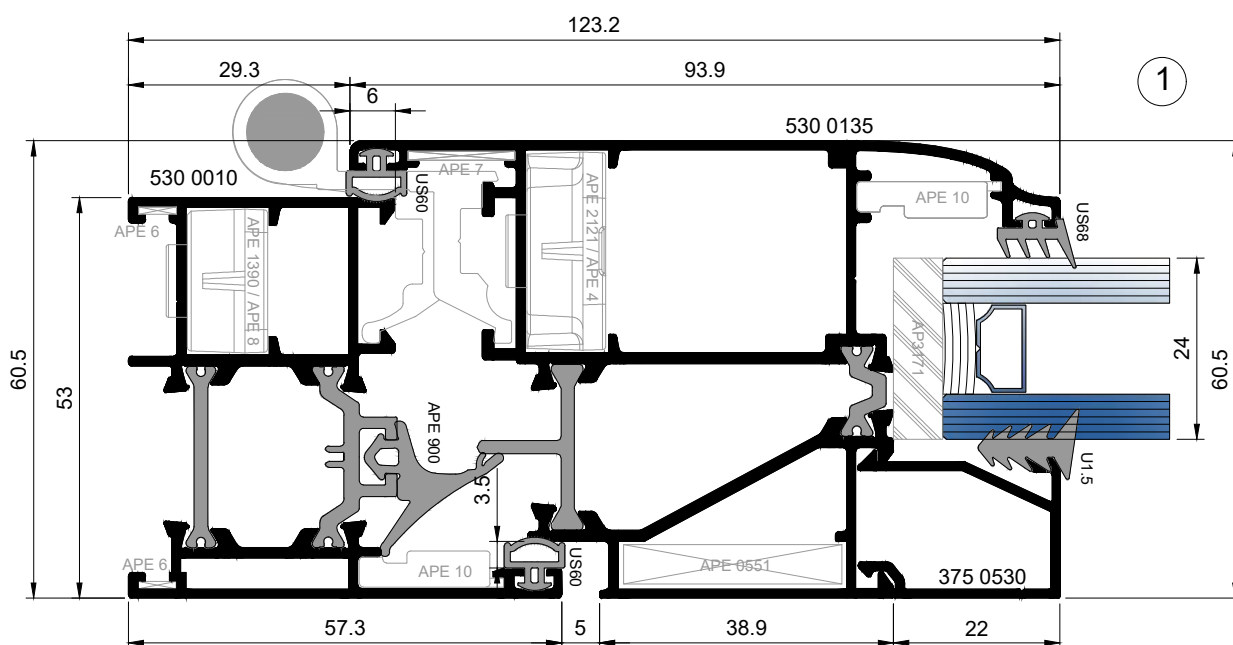
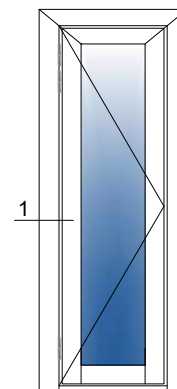


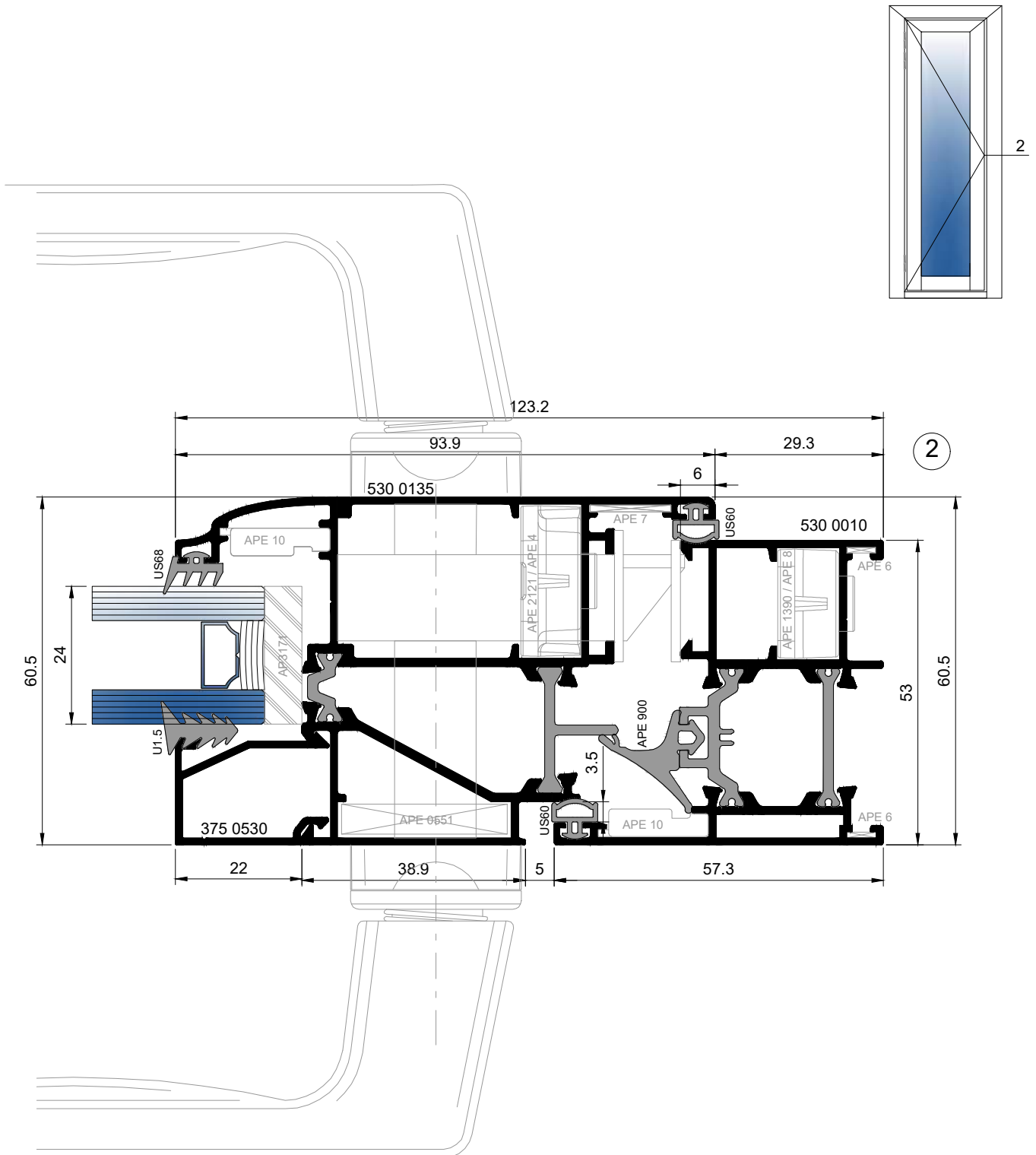
1

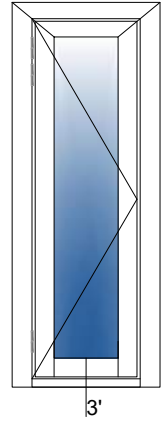
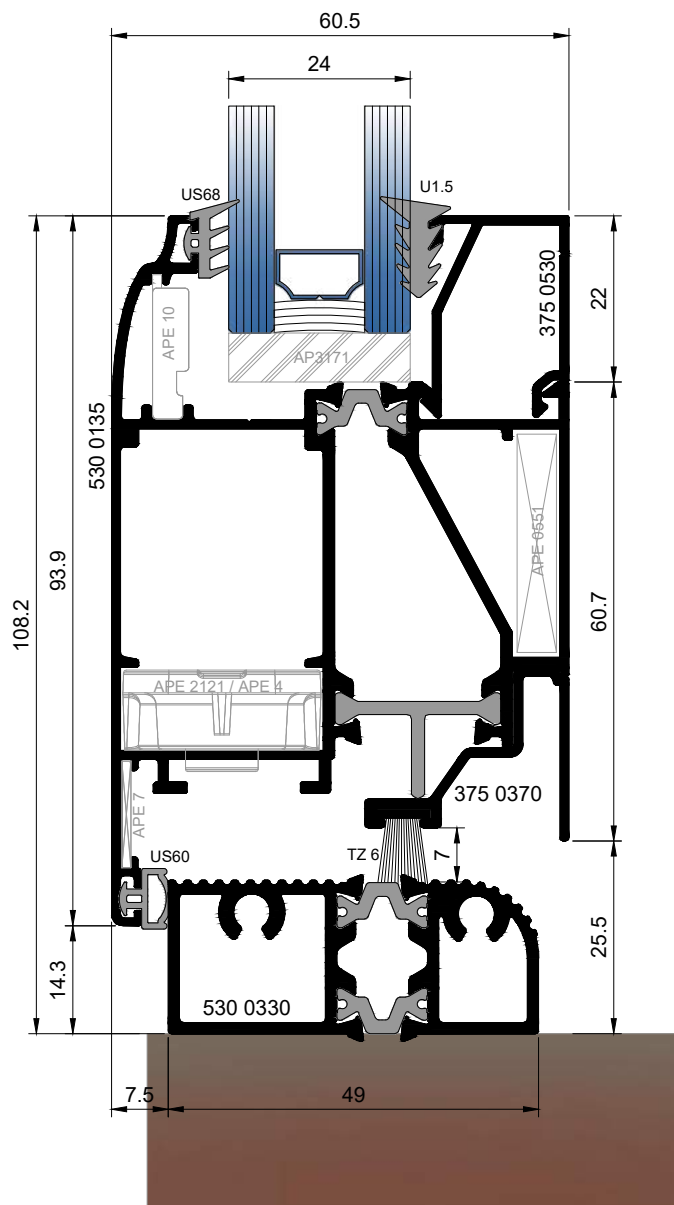


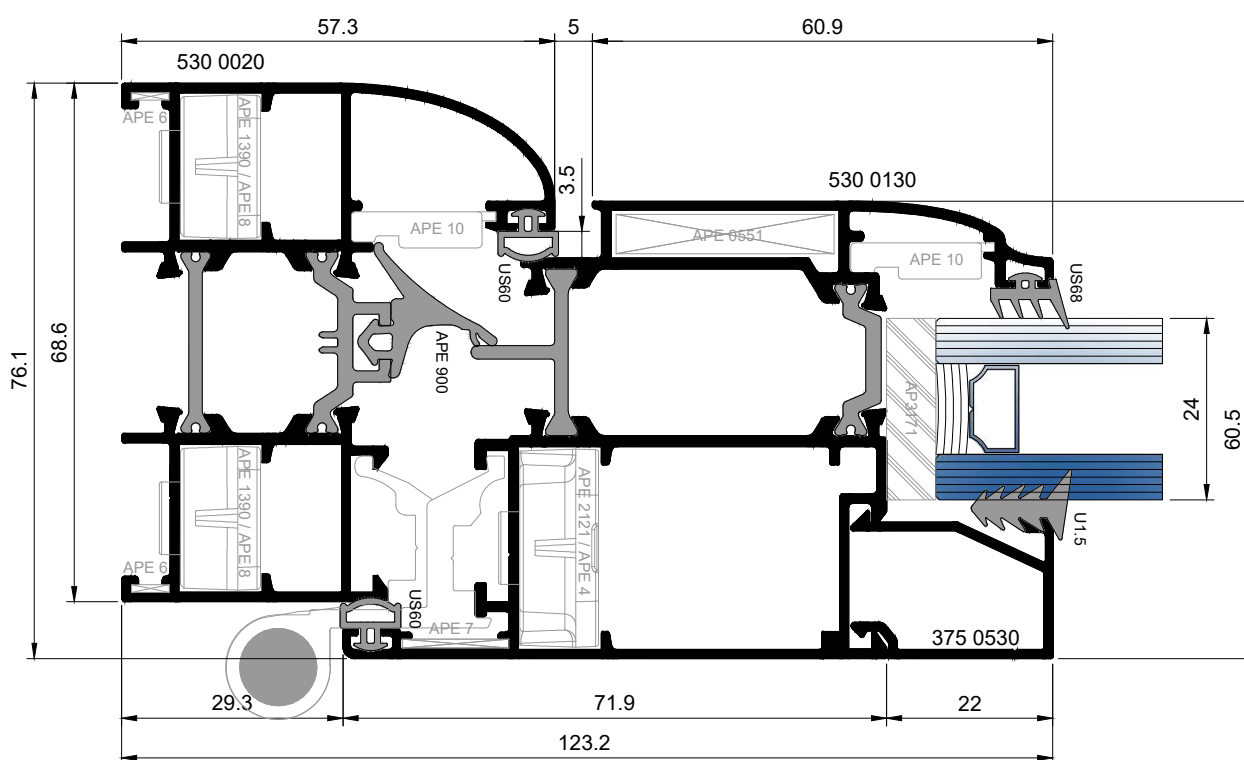
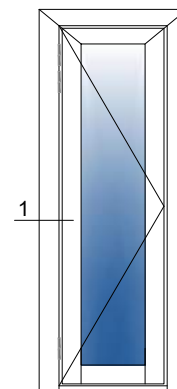


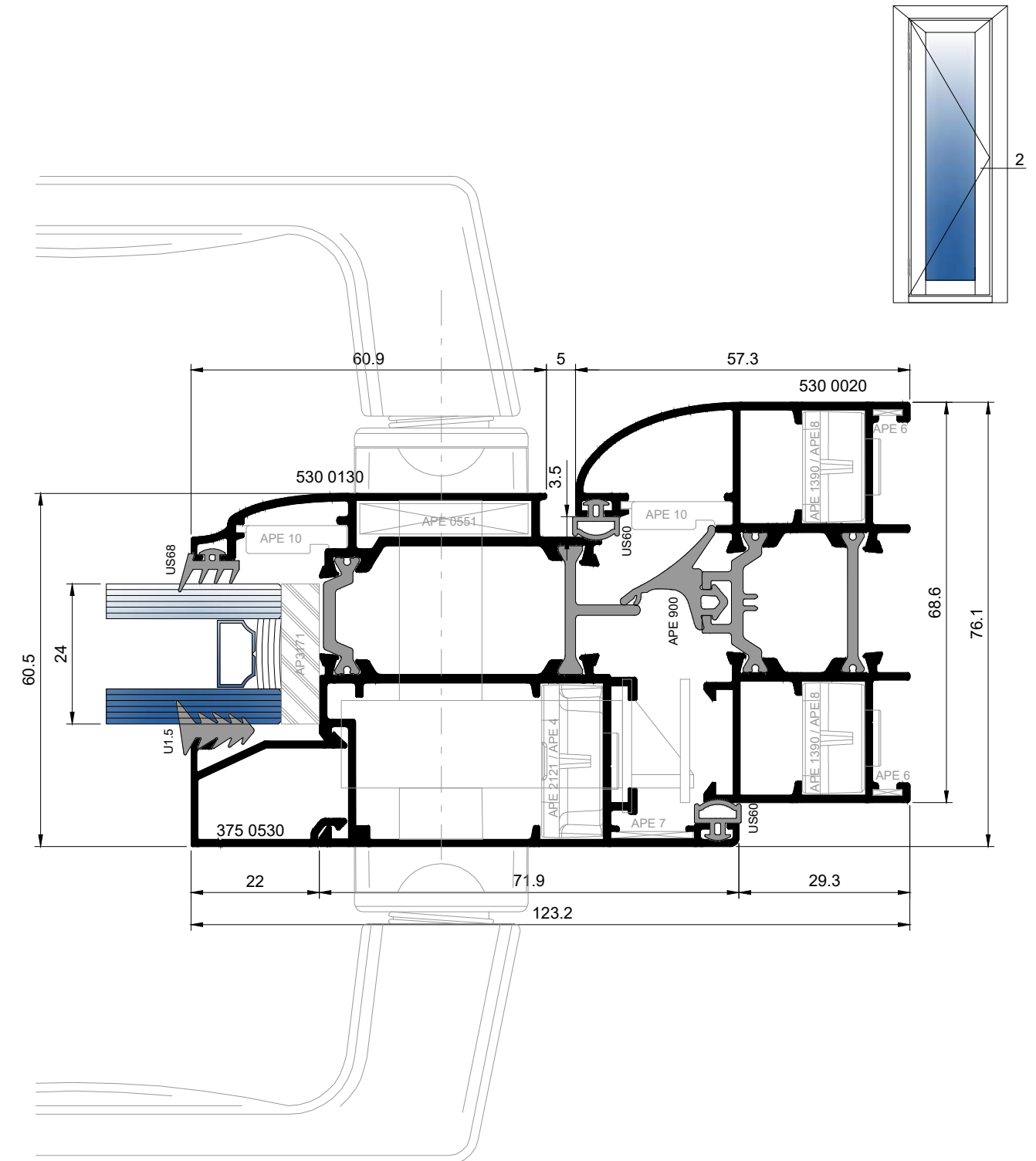


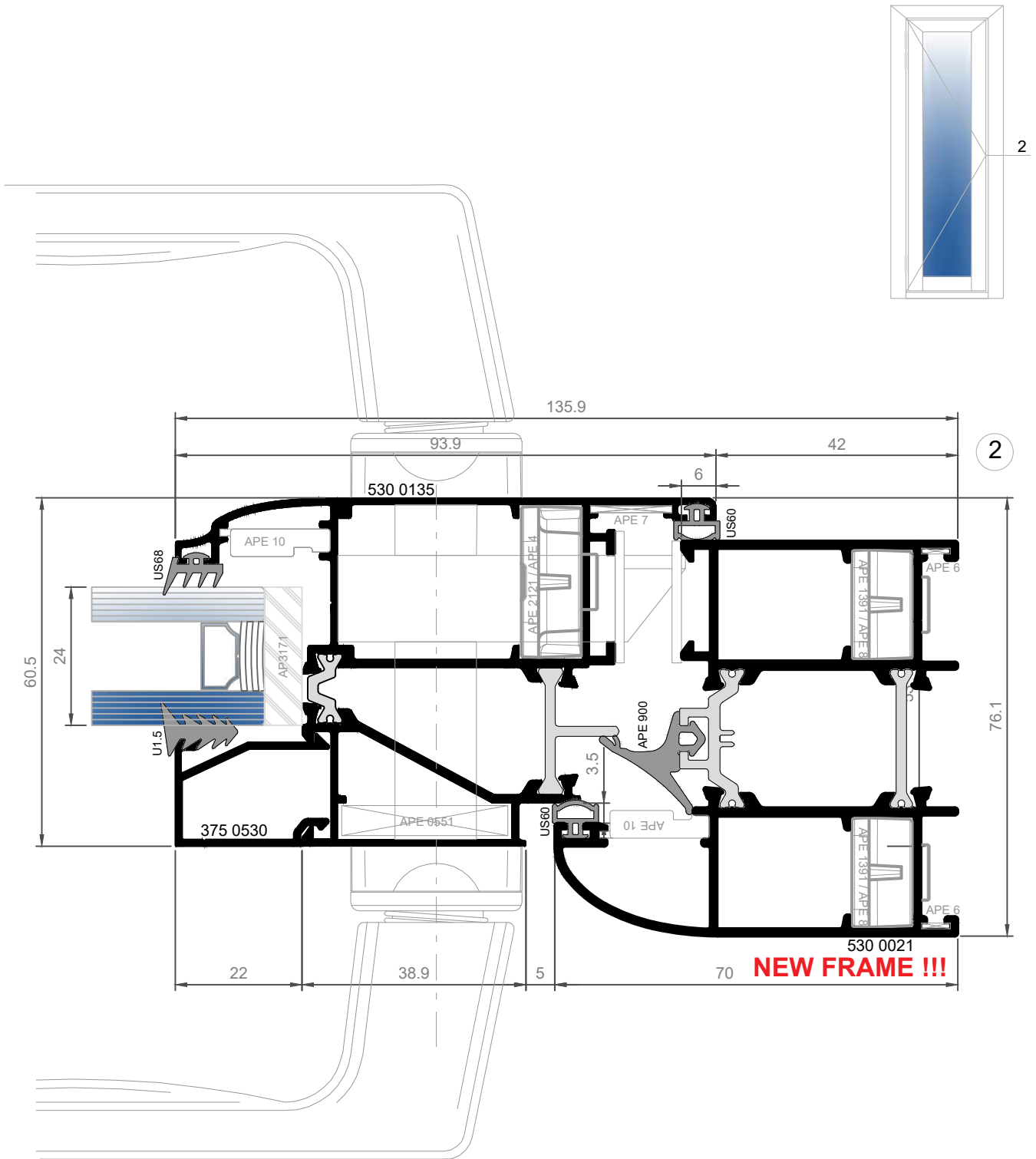


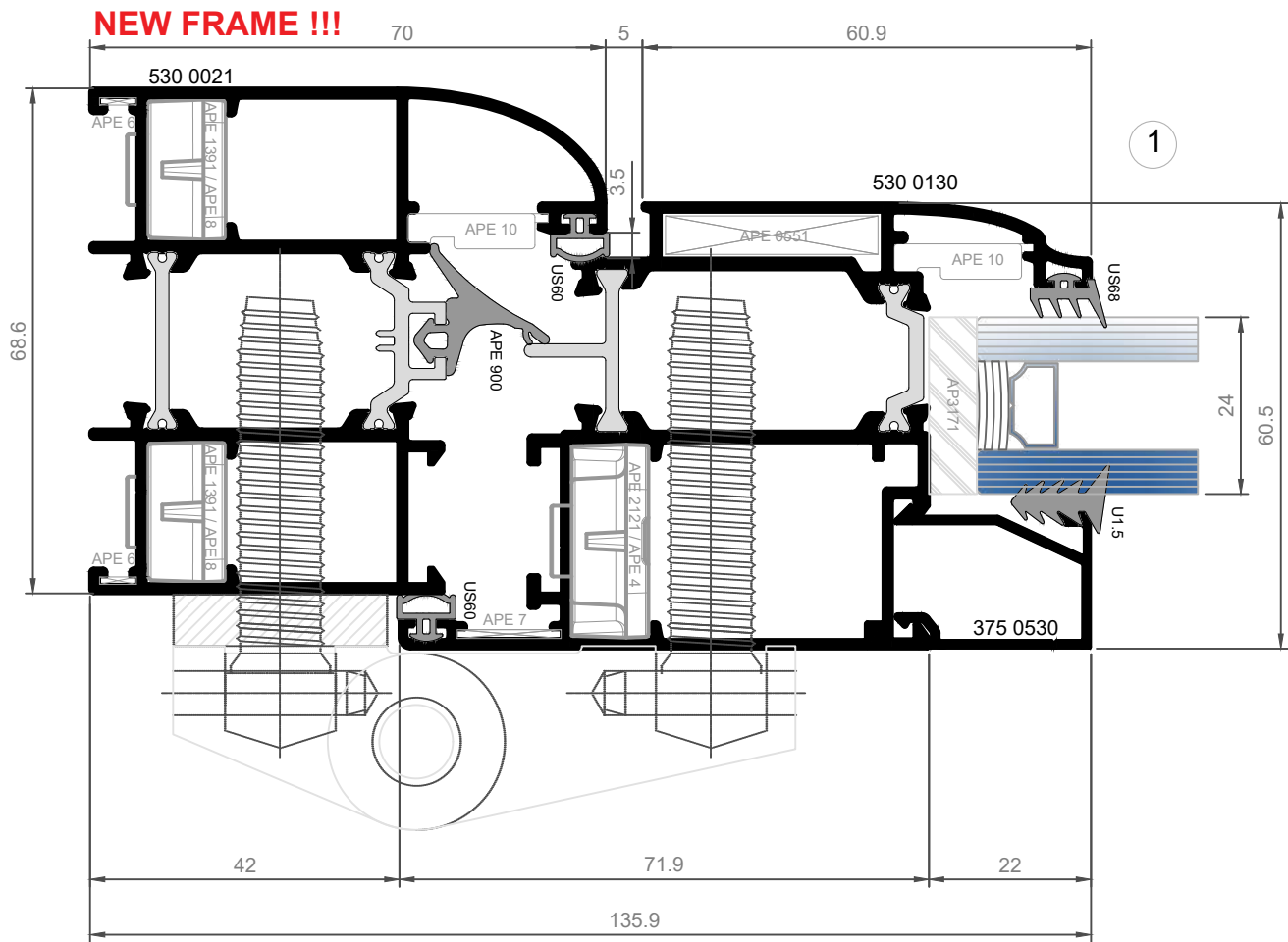
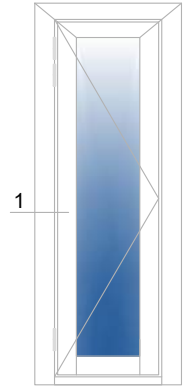


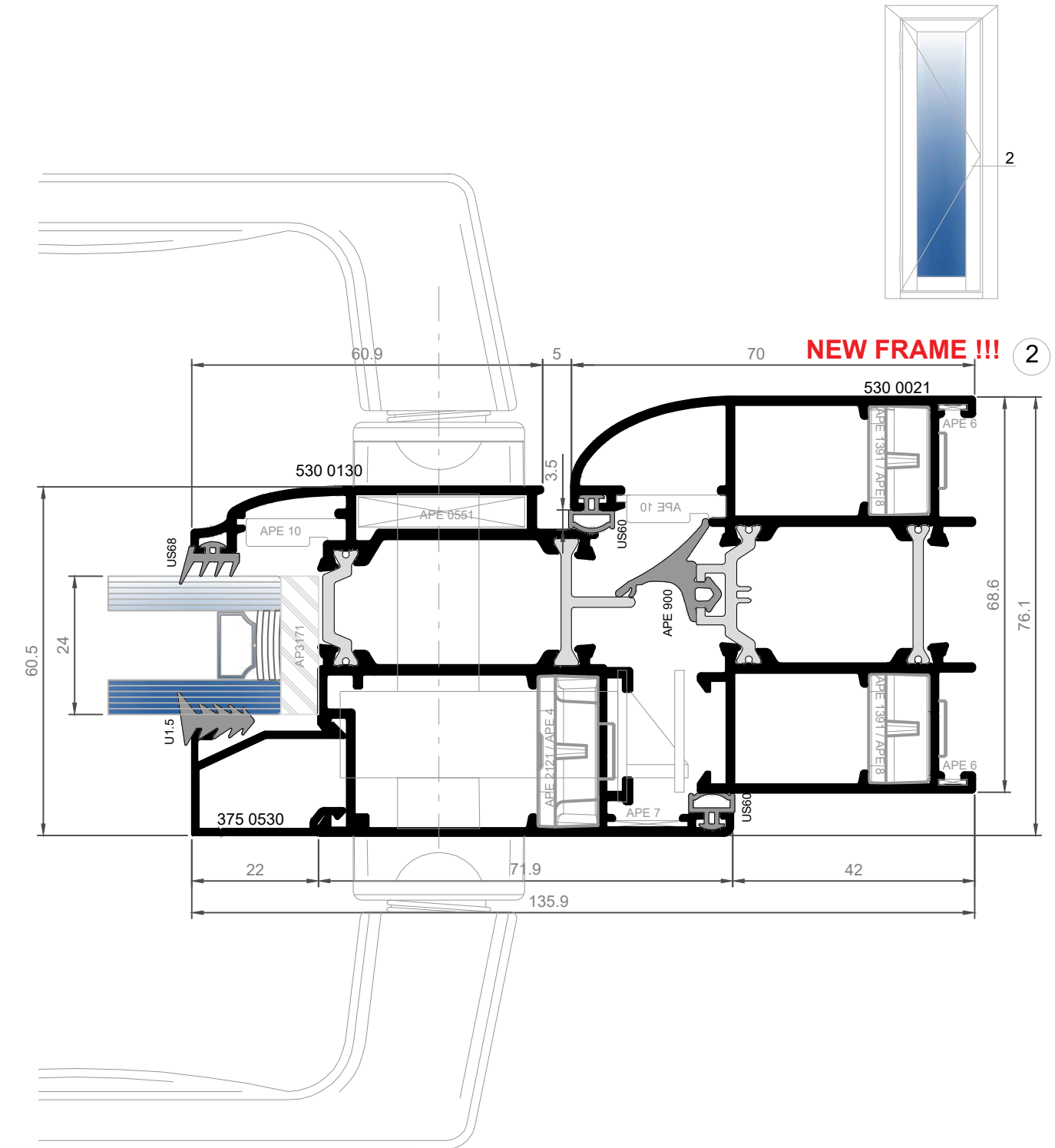


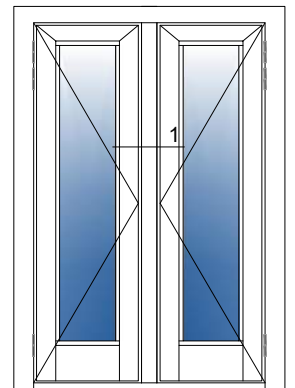
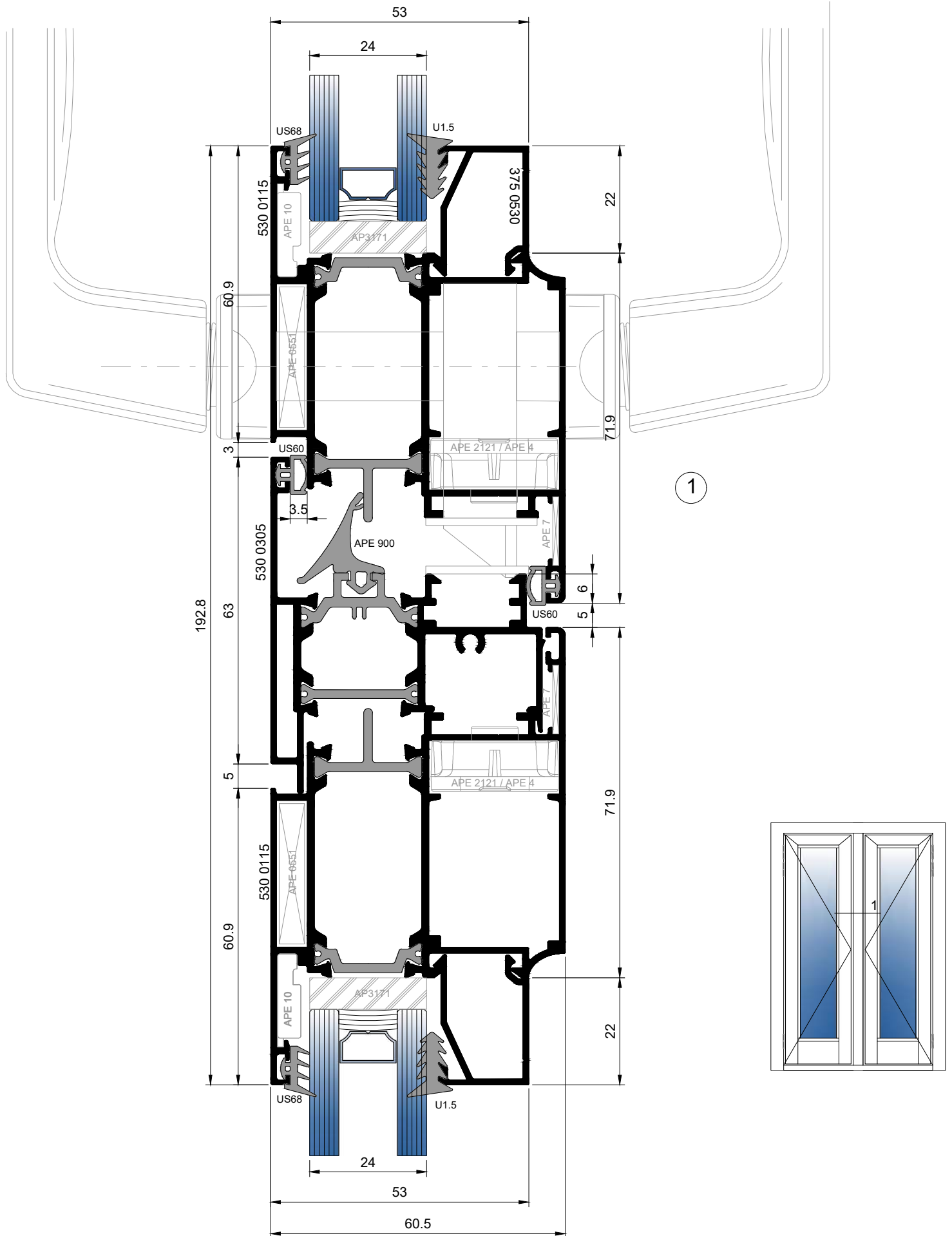


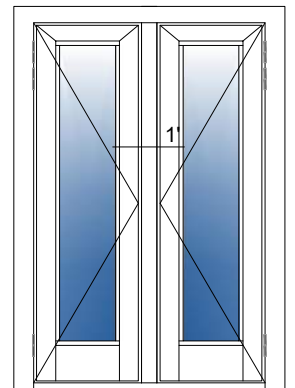
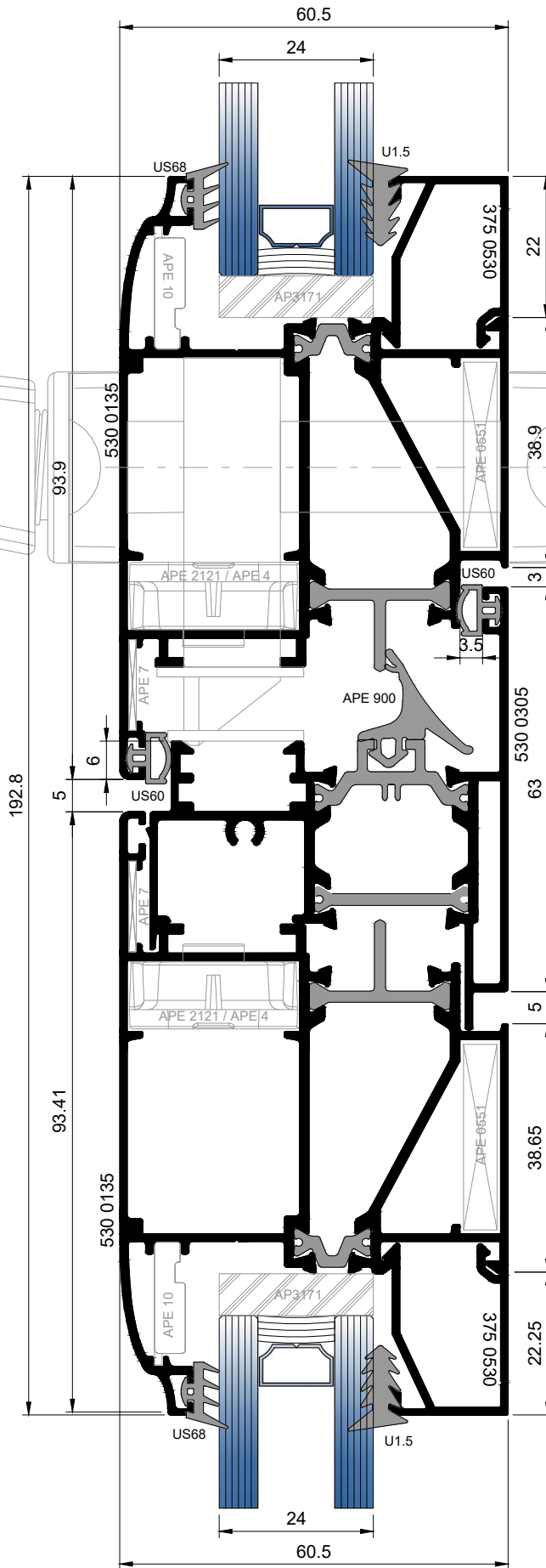


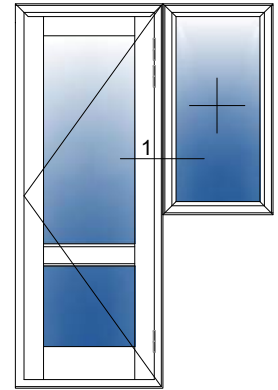
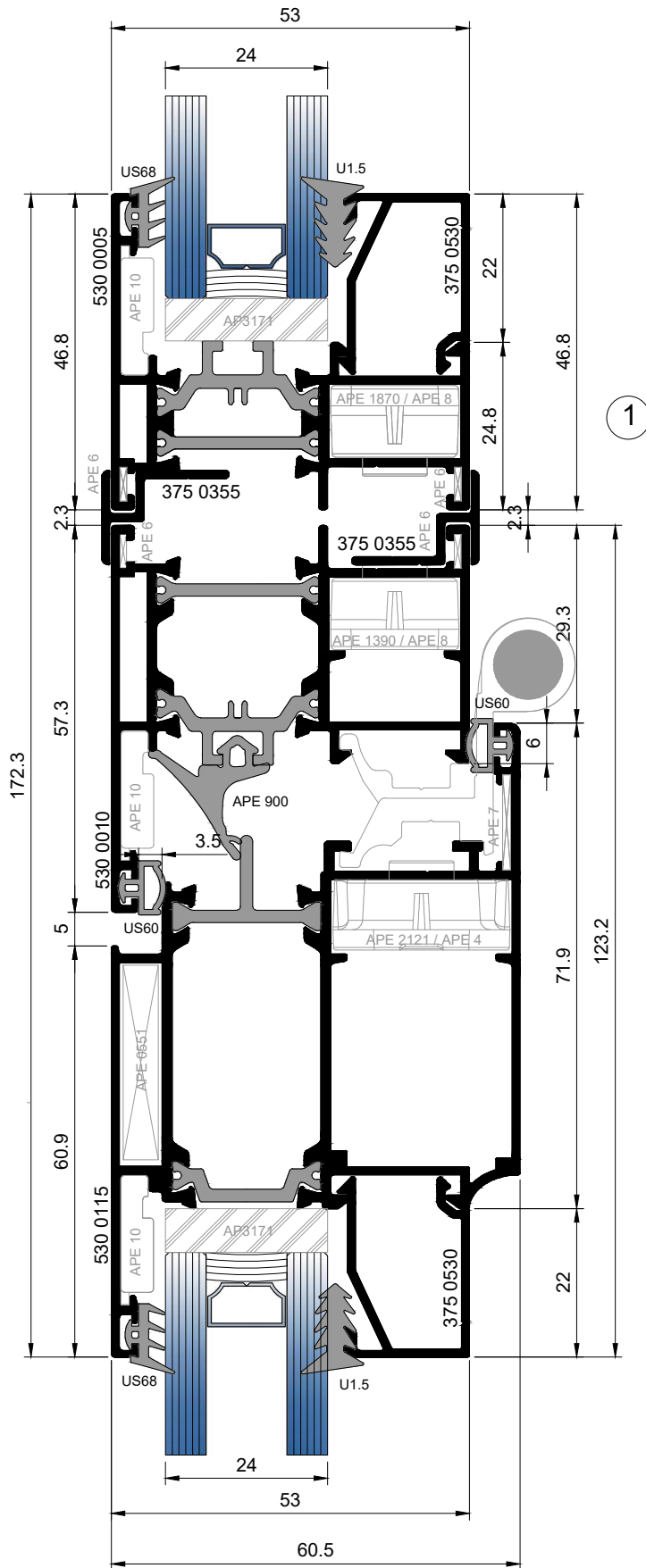


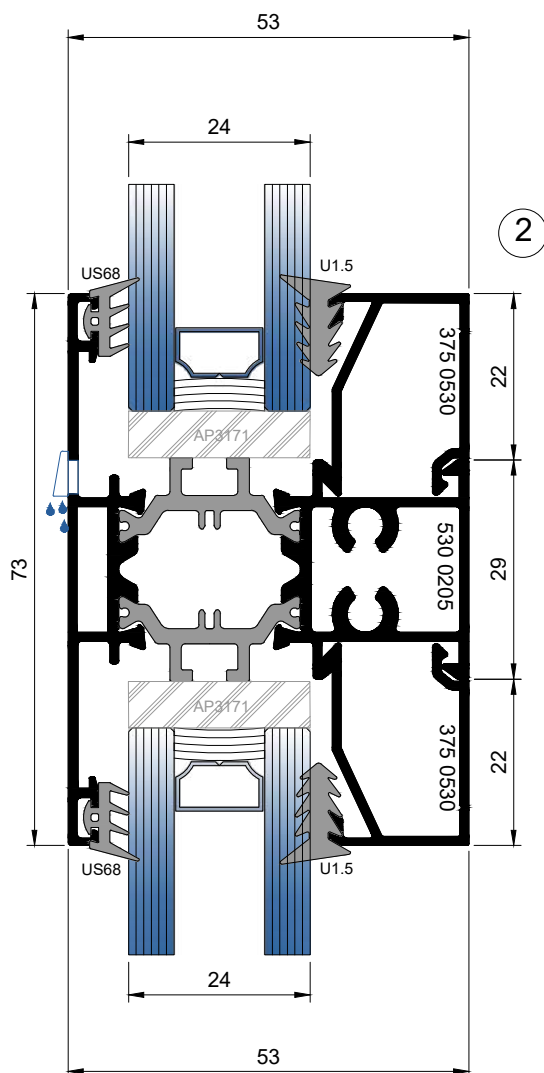
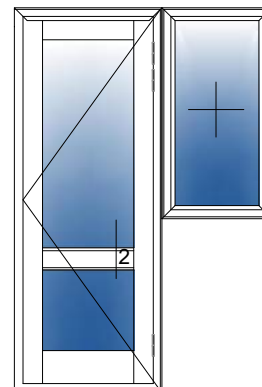


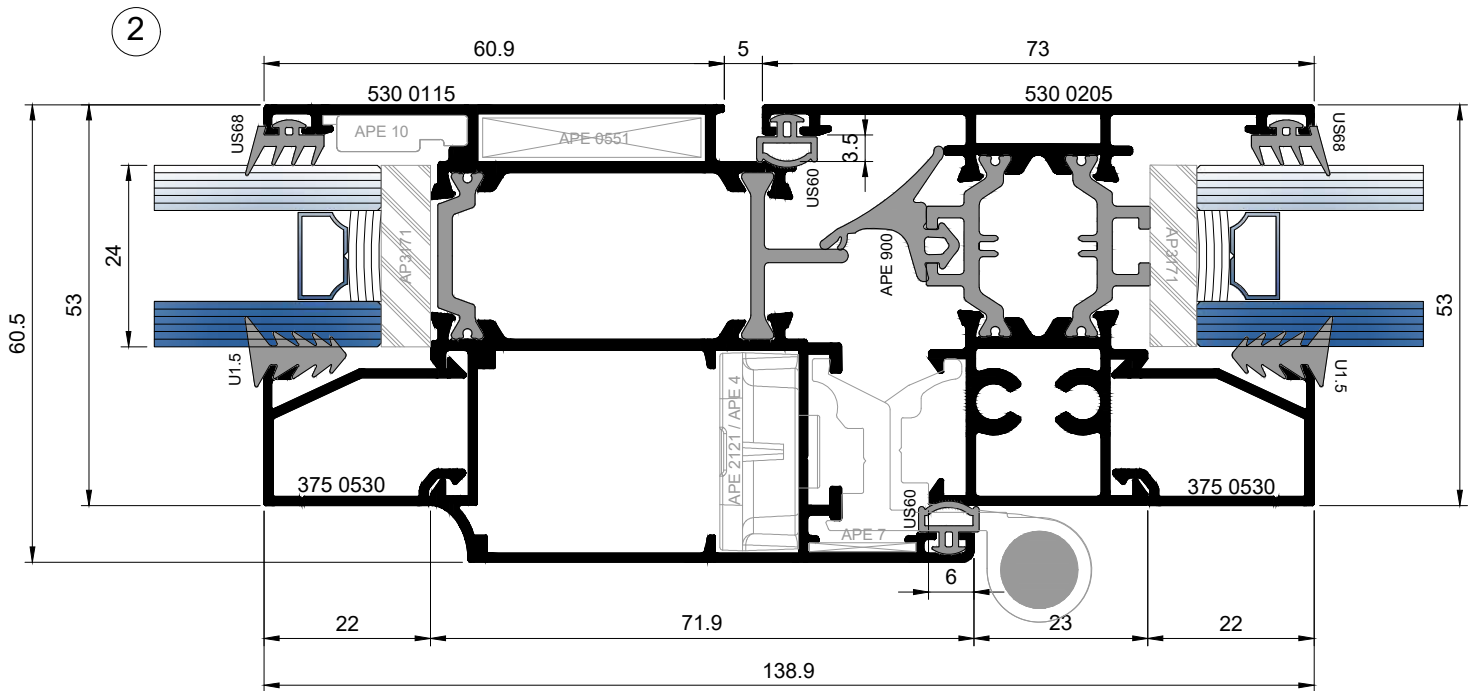
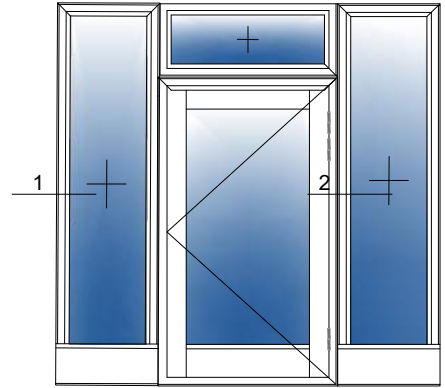
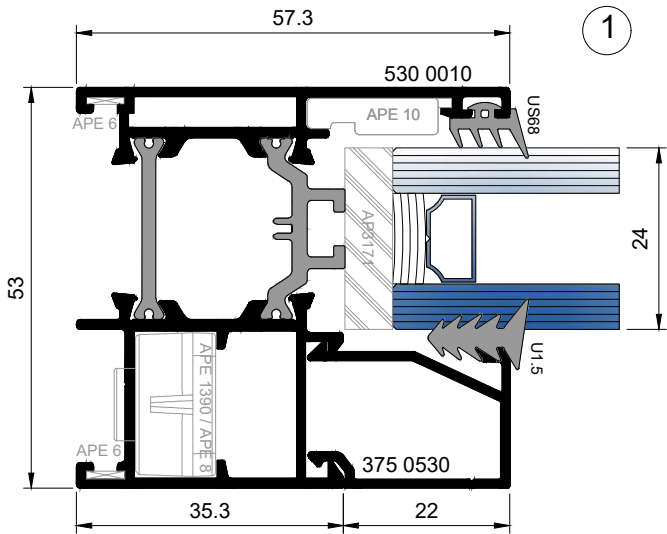




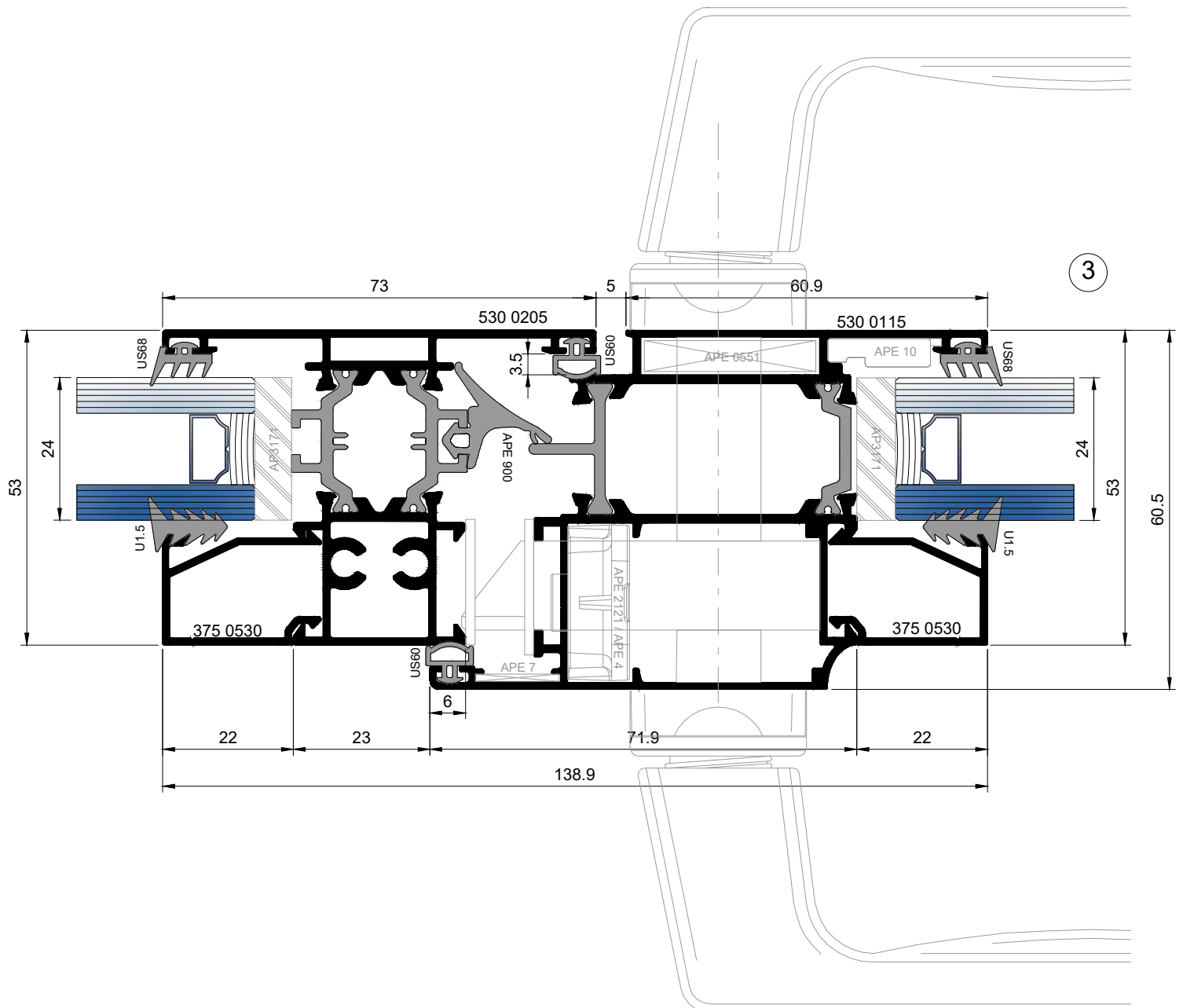
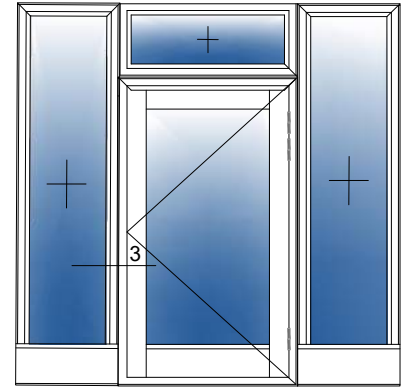


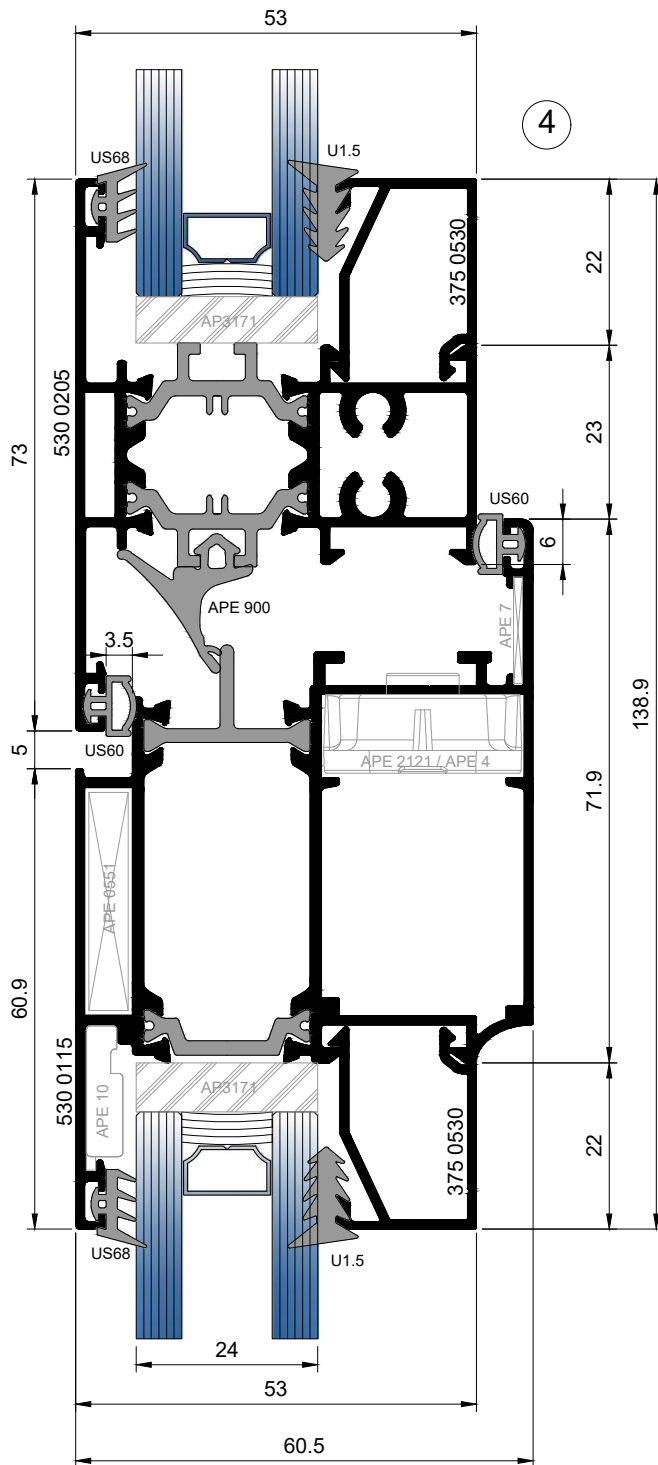
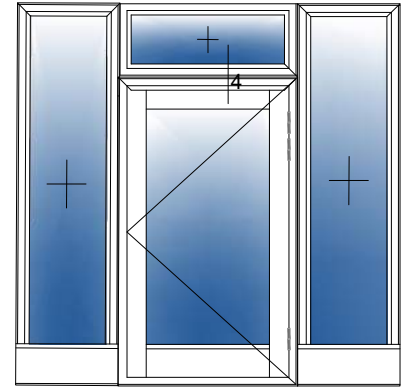




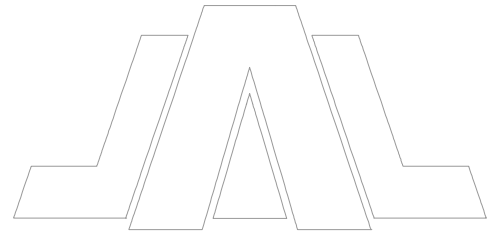


Series Eskimos

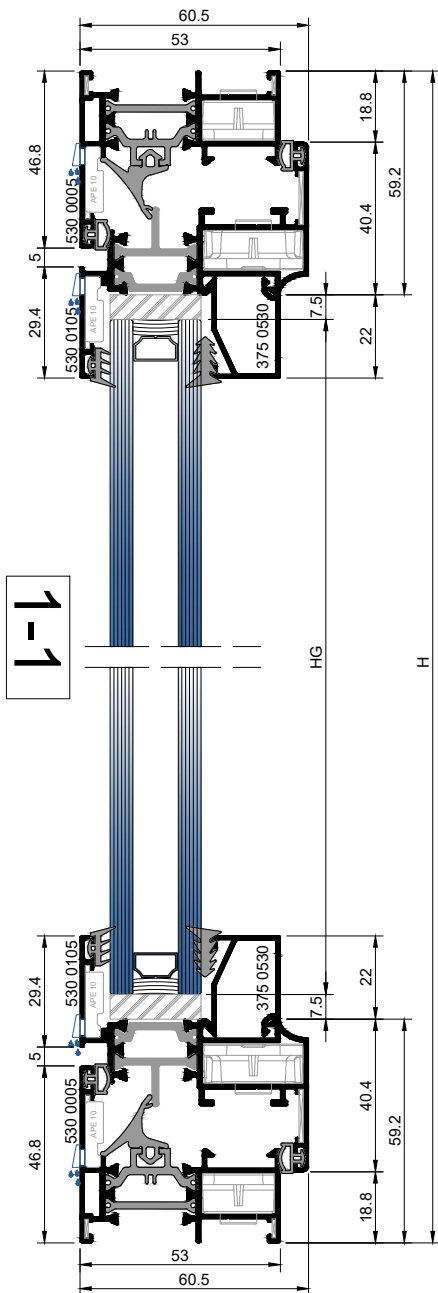




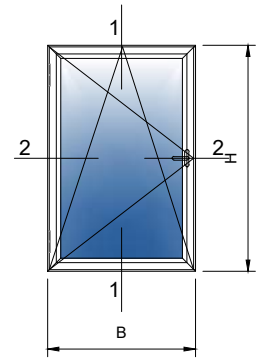
4



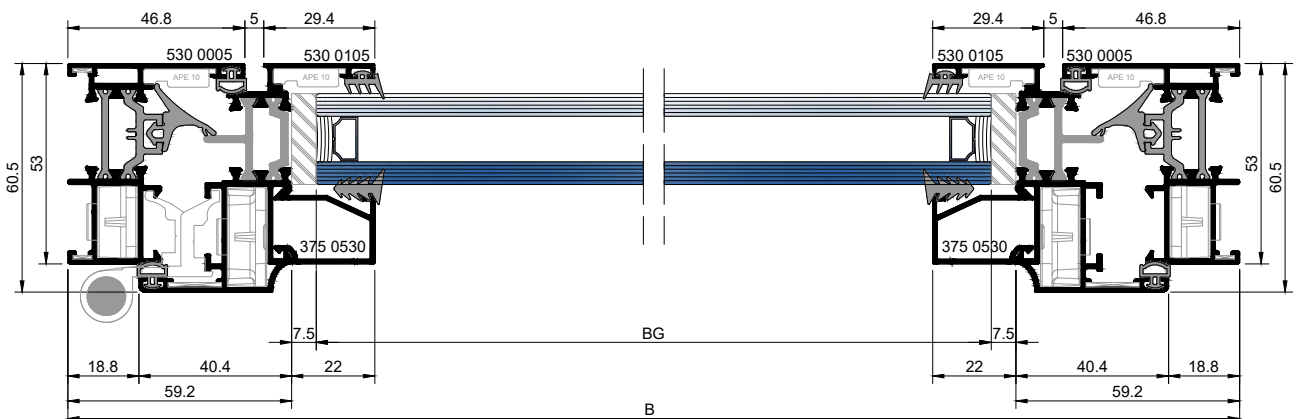
CUTTING ANALYSIS



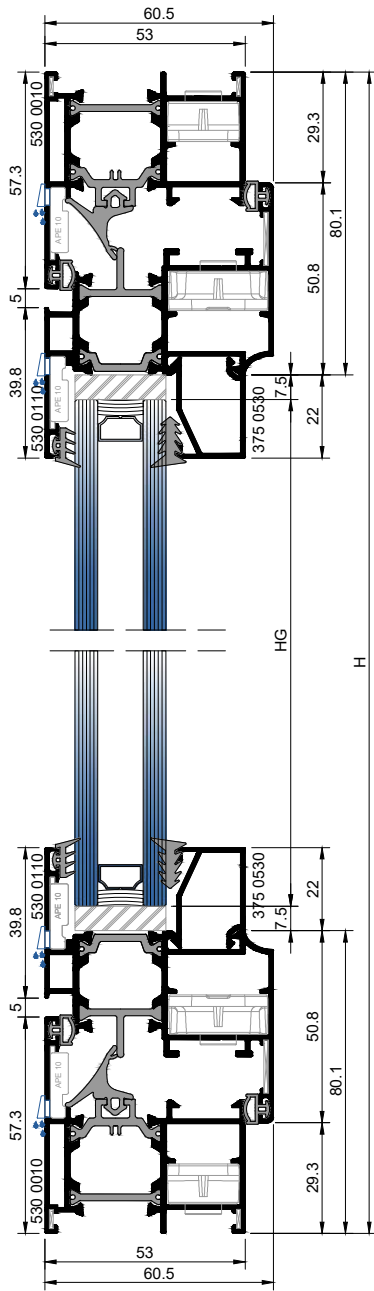
PROFILES		
FRAME	2pcs=B	
	2pcs=H	
SASH	2pcs=B-37.6 mm	
	2pcs=H-37.6 mm	
For frames: 530 0005, 530 0015		
GLASSHOLDER	2pcs=B-118.4 mm	
	2pcs=H-162.4 mm	
For frames: 530 0005, 530 0015		
For sashes: 530 0105, 530 0120		
GLASS	Glass width	BG=B-133.4 mm
	Glass height	HG=H-133.4 mm



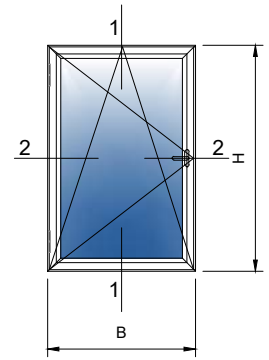
2-2



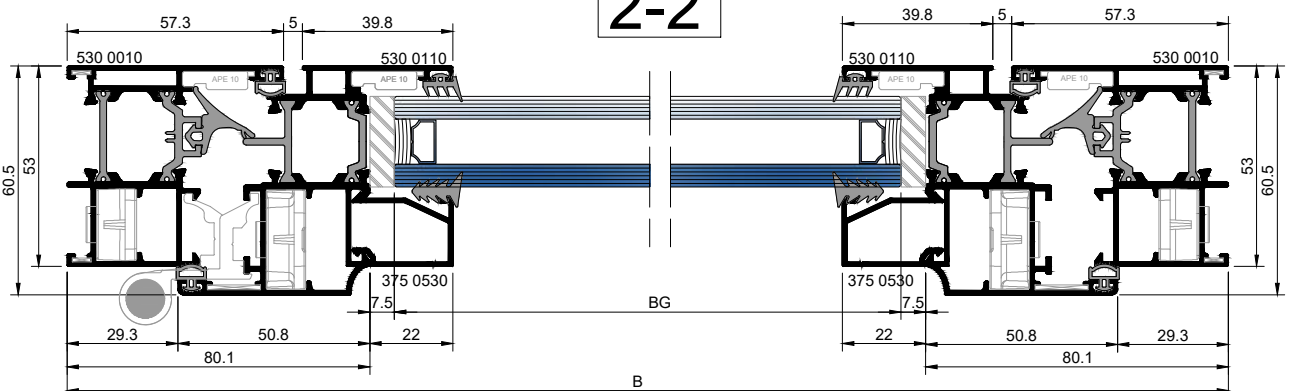
1-1

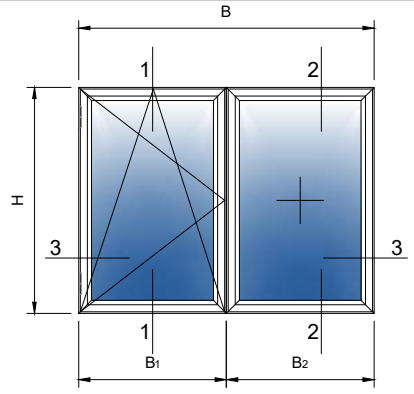


PROFILES		
FRAME	2pcs=B	
	2pcs=H	
SASH	2pcs=B-58.6 mm	
	2pcs=H-58.6mm	
For frames: 530 0010, 530 0020		
GLASSHOLDER	2pcs=B-160.2mm	
	2pcs=H-204.2mm	
For frames: 530 0010, 530 0020		
For sashes: 530 0110, 530 0125		
GLASS	Glass width	BG=B-175.2mm
	Glass height	HG=H-175.2 mm



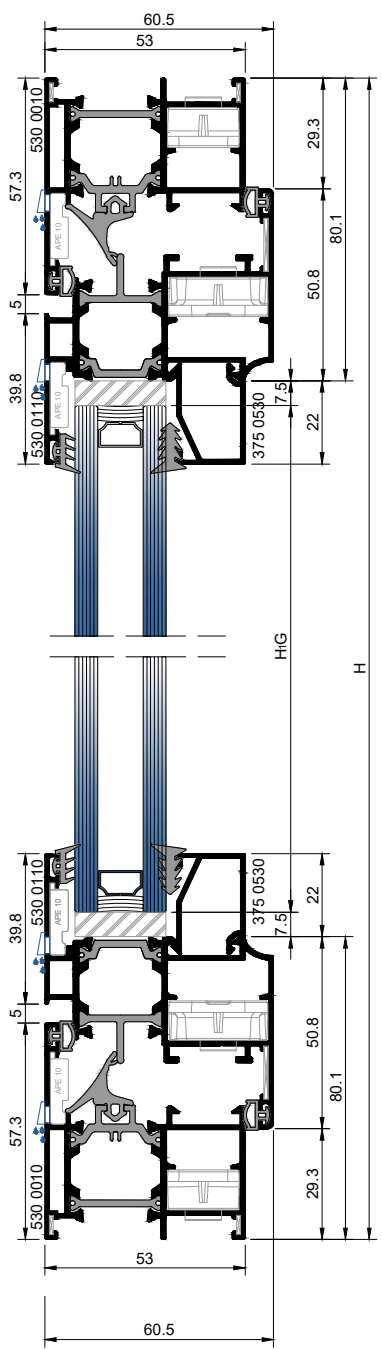
2-2



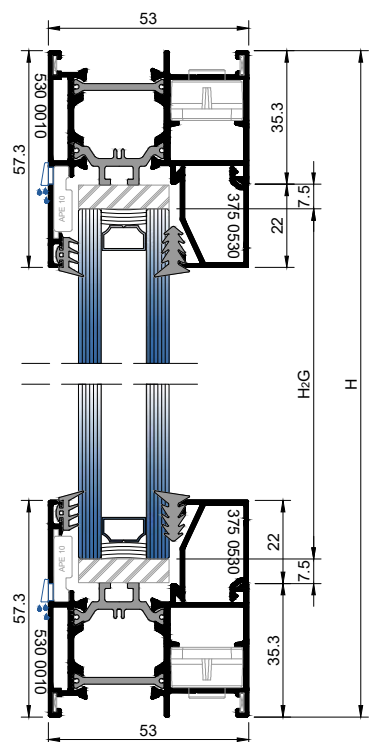


PROFILES		
FRAME	2pcs=B	
	2pcs=H	
SASH	2pcs=B-37,8* mm	<i>Only for 530 0205*</i>
	2pcs=H-58.6mm	
For frames: 530 0010, 530 0020		
GLASSHOLDER	2pcs=B ₁ -139.4mm*	
	2pcs=H-204.2mm	
	2pcs=B ₂ -49.8mm*	
	2pcs=H-114.6mm	
For frames: 530 0010, 530 0020		
For sashes: 530 0110, 530 0125		
MULLION	1pcs=H-70.6mm	
For frames: 530 0010, 530 0020		
GLASS	Glass width	B ₁ G=B ₁ -154.4mm
	Glass height	H ₁ G=H-175.2 mm
	Glass width	B ₂ G=B ₂ -64.8mm
	Glass height	H ₂ G=H-85.6 mm

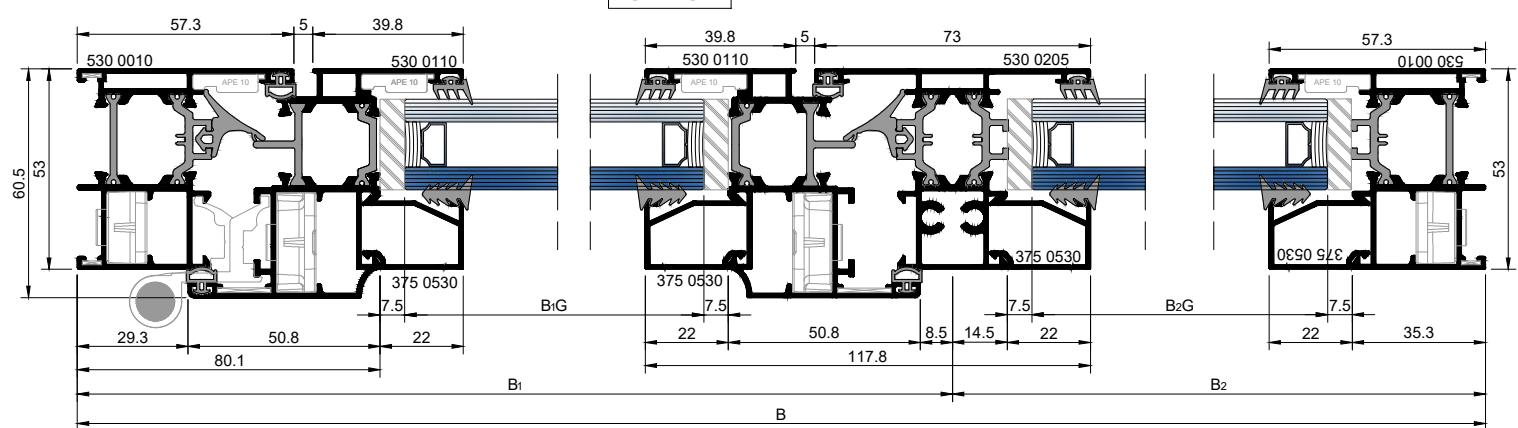
1-1

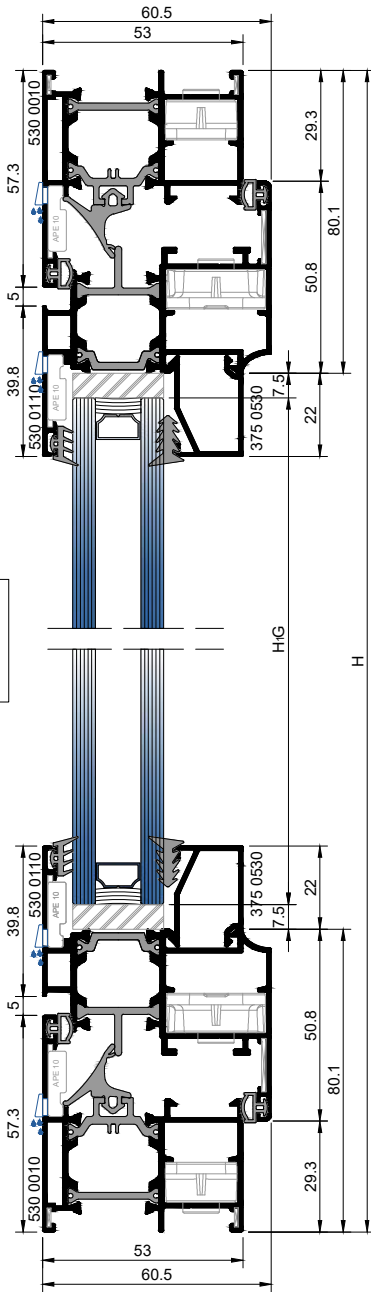


2-2



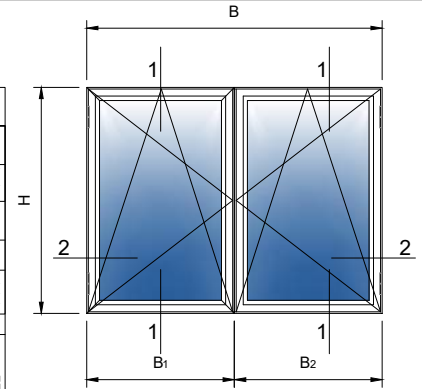
3-3



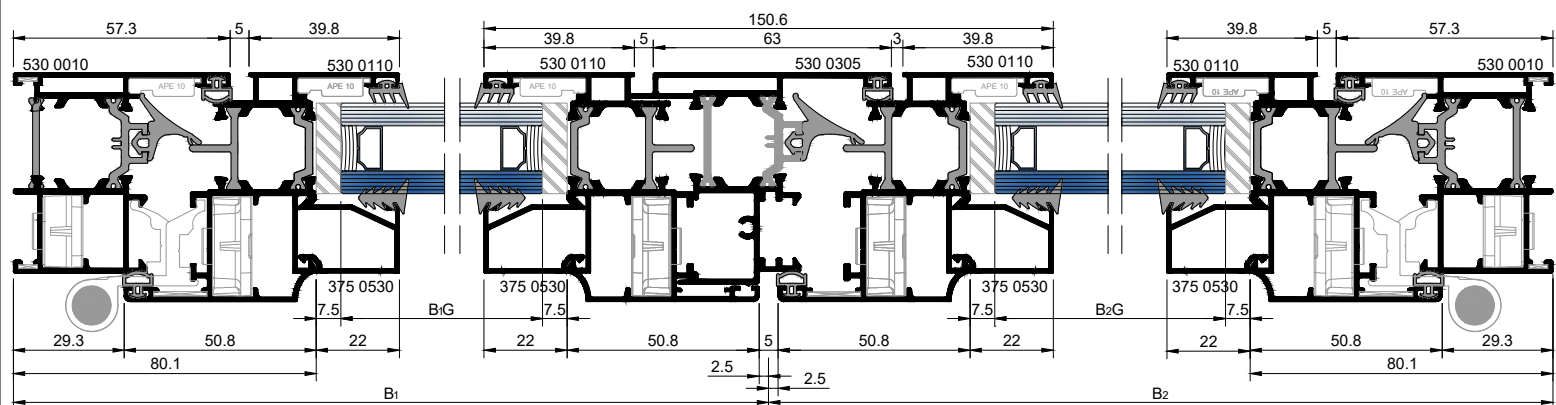


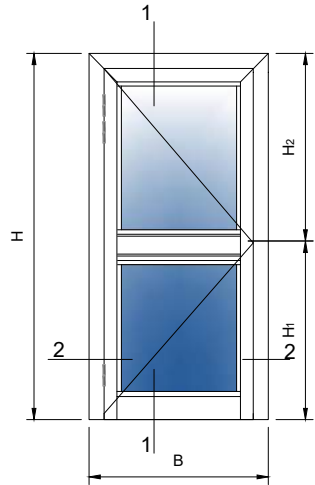
1-1

PROFILES		
FRAME	2pcs=B	
	2pcs=H	
SASH	2pcs=B ₁ -31,80 mm	
	2pcs=B ₂ -31,80 mm	
	4pcs=H-58.6mm	
For frames: 530 0010, 530 0020		
GLASSHOLDER	2pcs=B ₁ -133.4mm*	
	4pcs=H-204.2mm	
	2pcs=B ₂ -133.4mm*	
For frames: 530 0010, 530 0020		
For sashes: 530 0110, 530 0125		
OVERHUNG	1pcs=H-124.6mm	
For frames: 530 0010, 530 0020		
GLASS	Glass width	B ₁ G=B ₁ -148.4mm
	Glass height	2H ₁ G=2*(H-175.2)mm
	Glass width	B ₂ G=B ₂ -148.4mm



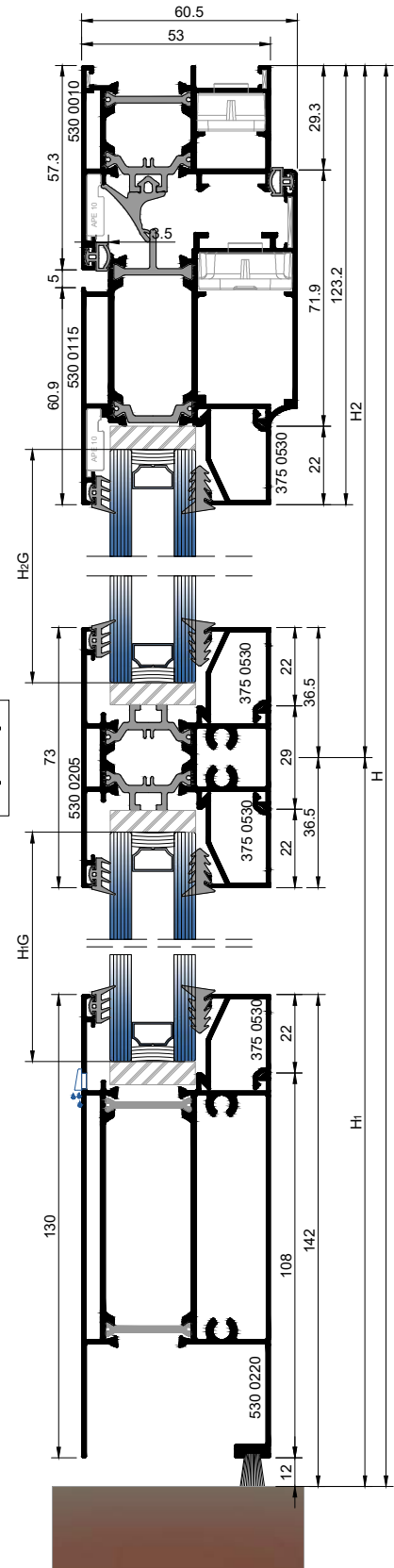
2-2



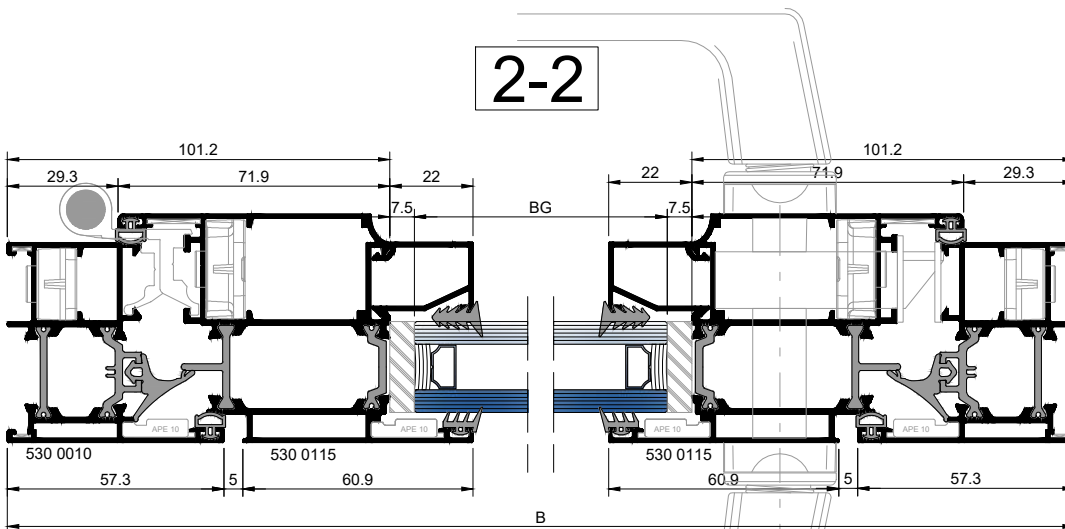


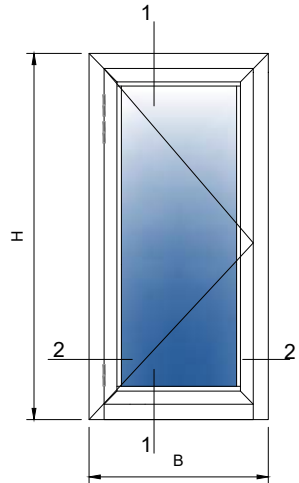
PROFILES		
FRAME	1pcs=B	
	2pcs=H	
SASH	1pcs=B-58,6 mm	
	2pcs=H-41,3mm	
For frames: 530 0010, 530 0020		
GLASSHOLDER	4pcs=B-202,4mm	
	2pcs=H ₁ -178,5mm*	<i>Only for 530 0205*</i>
	2pcs=H ₂ -159,7mm	
For frames: 530 0010, 530 0020		
For sashes: 530 0115, 530 0130, 530 0135		
MULLION	1pcs=B-202,4mm	
For frames: 530 0010, 530 0020		
For sashes: 530 0115, 530 0130, 530 0135		
Board for door	1pcs=B-202,4mm	
For frames: 530 0010, 530 0020		
For sashes: 530 0115, 530 0130, 530 0135		
GLASS	Glass width	BG=B-217,4mm
	Glass height	H ₁ G=H ₁ -149,5mm
	Glass height	H ₂ G=H ₂ -130,7mm
For frames: 530 0010, 530 0020		
For sashes: 530 0115, 530 0130, 530 0135		

1-1

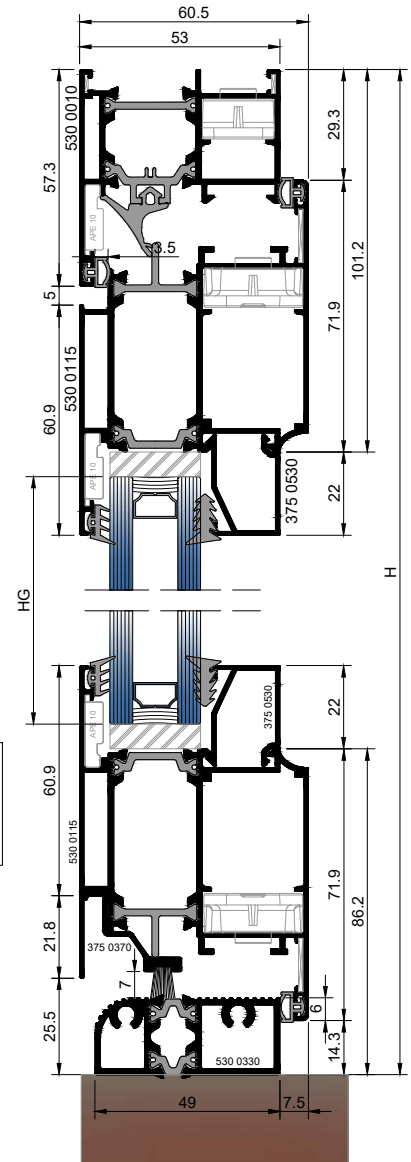


2-2

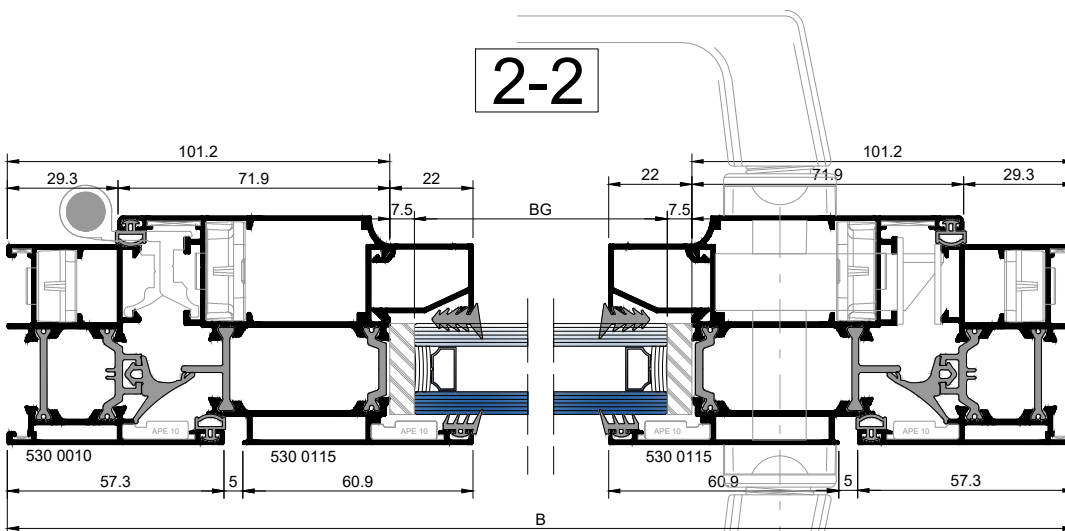




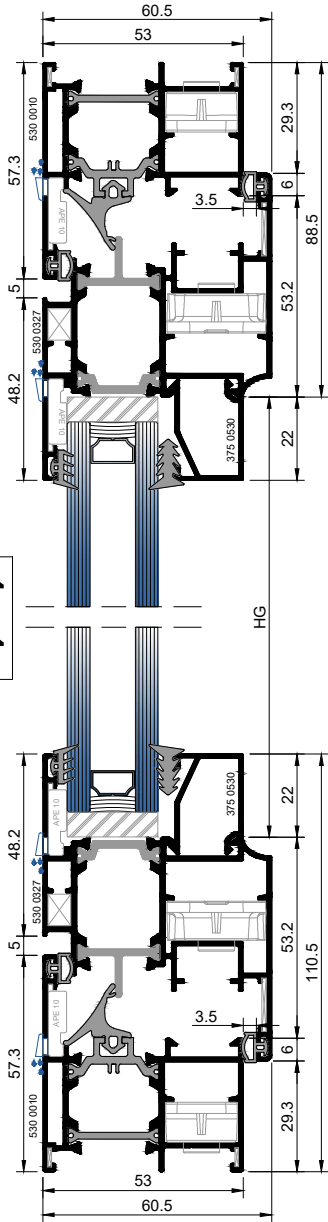
PROFILES		
FRAME	1pcs=B	
	2pcs=H	
SASH	1pcs=B-58,6 mm	
	2pcs=H-43,6mm	
For frames: 530 0010, 530 0020		
GLASSHOLDER	4pcs=B-202,4mm	
	2pcs=H-231.4mm	
For frames: 530 0010, 530 0020		
For sashes: 530 0115, 530 0130, 530 0135		
Door sill	1pcs=B-70mm	
Addition for door	1pcs=B-124.6mm	
For frames: 530 0010, 530 0020		
For sashes: 530 0115, 530 0130, 530 0135		
GLASS	Glass width	BG=B-217,4mm
	Glass height	HG=H-202,4mm
For frames: 530 0010, 530 0020		
For sashes: 530 0115, 530 0130, 530 0135		



1-1

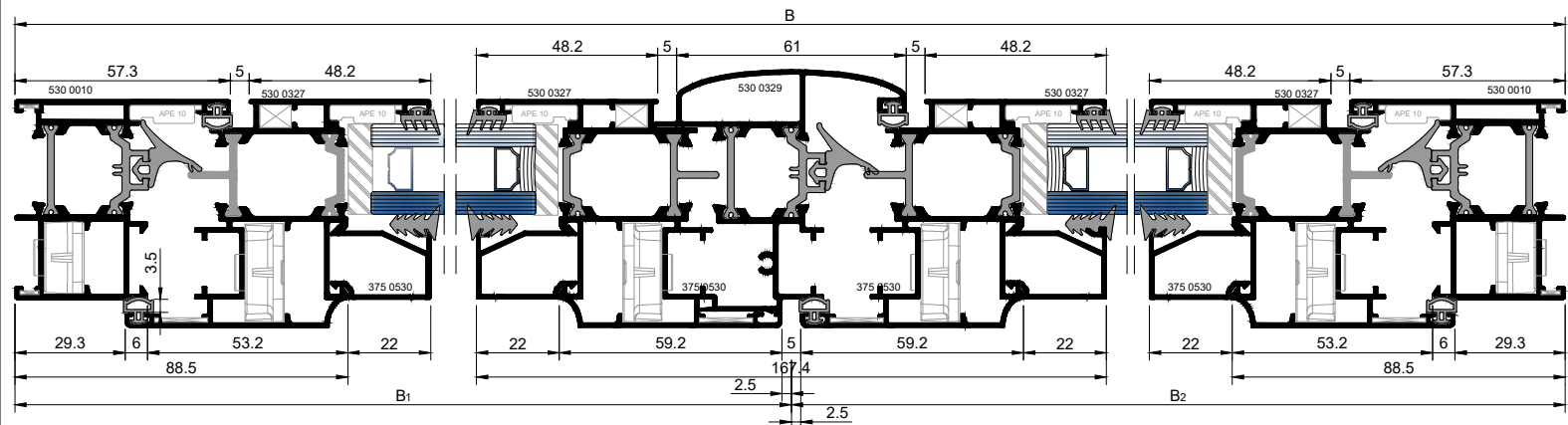
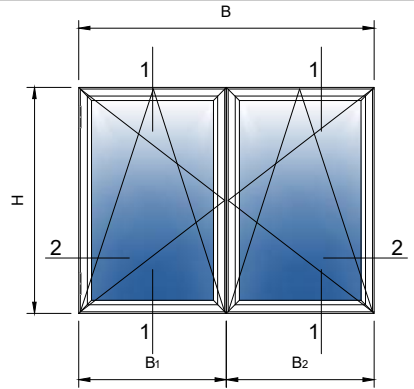


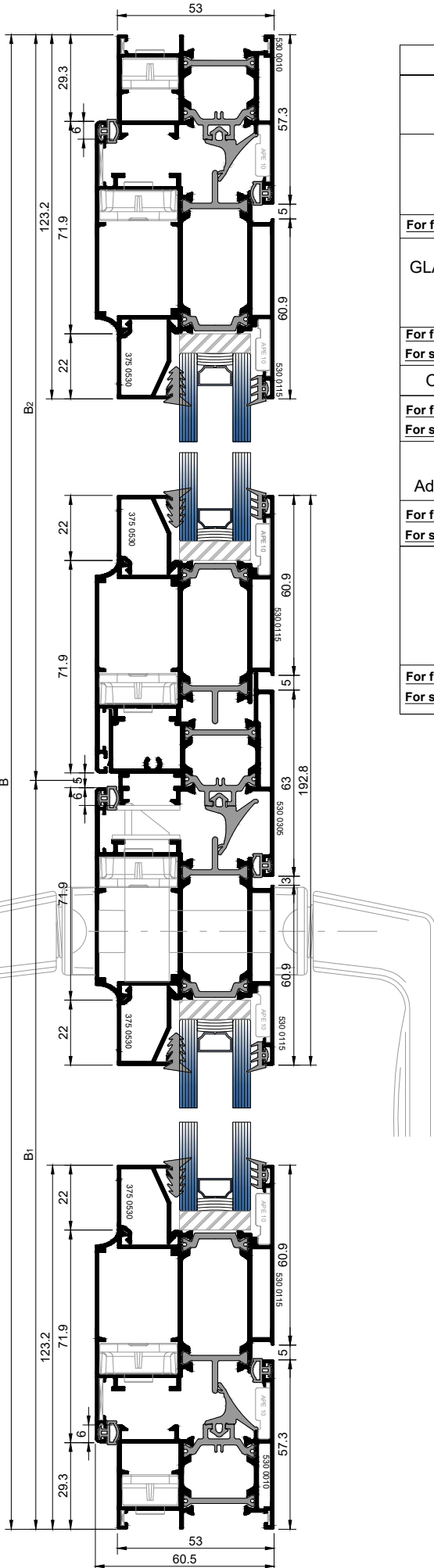
2-2



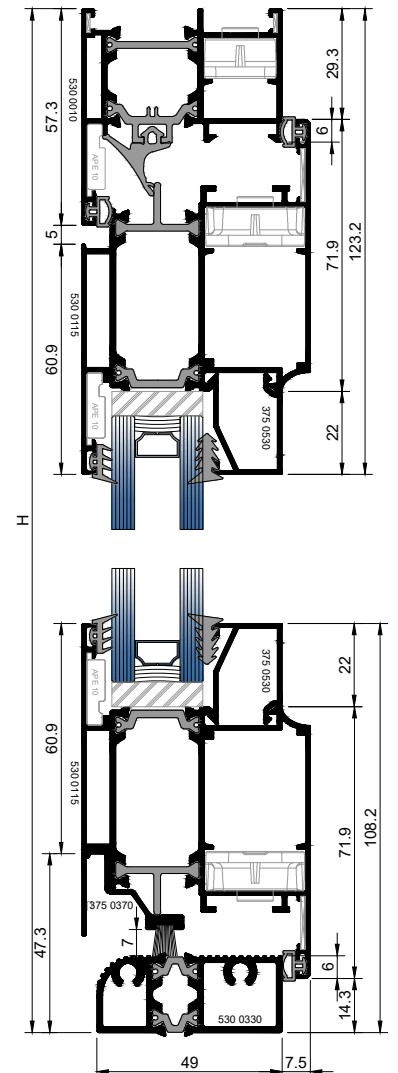
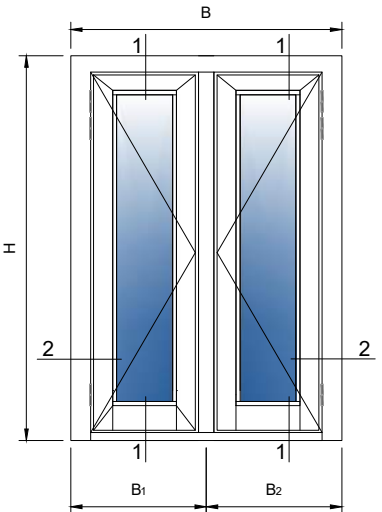
1-1

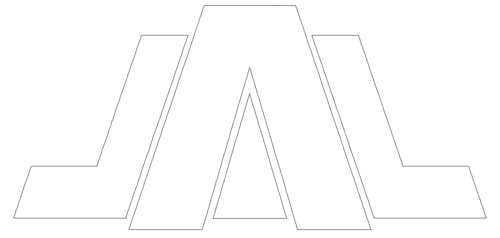
PROFILES		
FRAME	2pcs=B	
	2pcs=H	
SASH	2pcs=B ₁ -31,80 mm	
	2pcs=B ₂ -31,80 mm	
	4pcs=H-58.6mm	
For frames: 530 0010, 530 0020		
GLASSHOLDER	2pcs=B ₁ -150.2mm	
	4pcs=H-221mm	
	2pcs=B ₂ -150.2mm*	
For frames: 530 0010, 530 0020		
For sashes: 530 0326, 530 0327		
OVERHUNG	1pcs=H-124.6mm	
For frames: 530 0010, 530 0020		
GLASS	Glass width	B ₁ G=B ₁ -165.2mm
	Glass height	2H ₁ G=2*(H-192)mm
	Glass width	B ₂ G=B ₂ -165.2mm





PROFILES		
FRAME	1pcs=B	
	2pcs=H	
SASH	1pcs=B ₁ -31,8 mm	
	1pcs=B ₂ -31,8 mm	
	4pcs=H-43,6mm	
For frames: 530 0010, 530 0020		
GLASSHOLDER	2pcs=B ₁ -175,6mm	
	2pcs=B ₂ -175,6mm	
	4pcs=H-231,4mm	
For frames: 530 0010, 530 0020 For sashes: 530 0115, 530 0130, 530 0135		
OVERHUNG	1pcs=H-109,6mm	
For frames: 530 0010, 530 0020 For sashes: 530 0115, 530 0130, 530 0135		
Door sill	1pcs=B-70mm	
Addition for door	1pcs=B-124,6mm	
For frames: 530 0010, 530 0020 For sashes: 530 0115, 530 0130, 530 0135		
GLASS	Glass width	B ₁ G=B ₁ -190,6mm
	Glass width	B ₂ G=B ₂ -190,6mm
	Glass height	HG=H-202,4mm
For frames: 530 0010, 530 0020 For sashes: 530 0115, 530 0130, 530 0135		

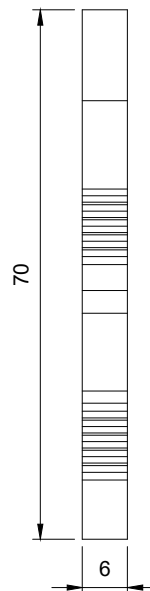
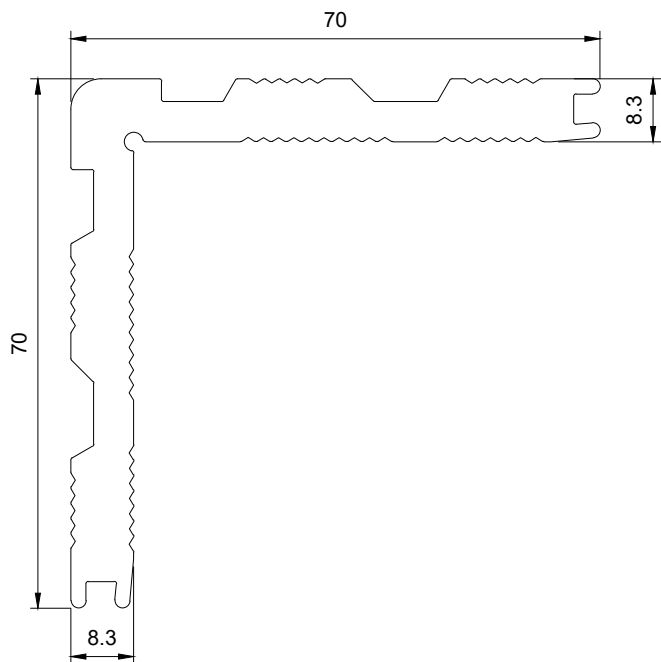




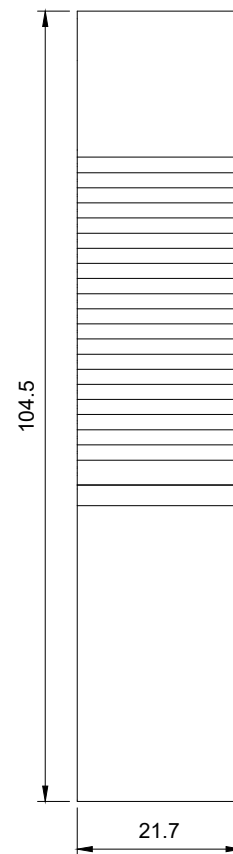
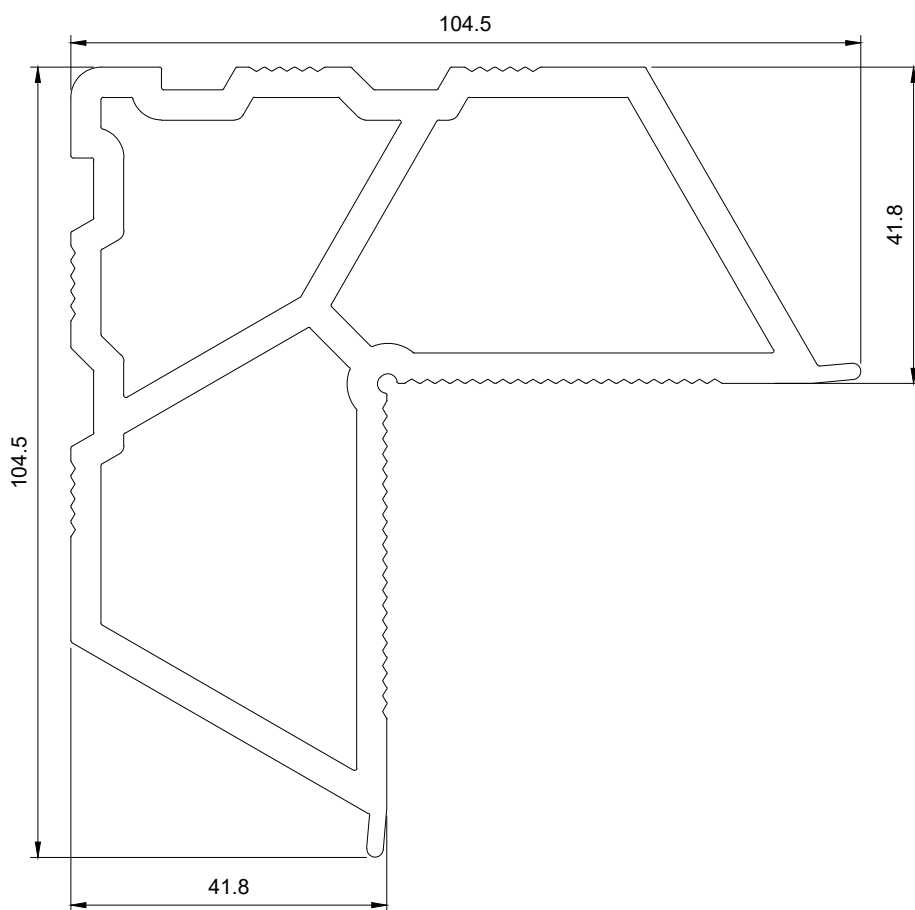
3D DETAILS

press corners for crimping machine

APE 0550
Dimensions:
70x8.3x6

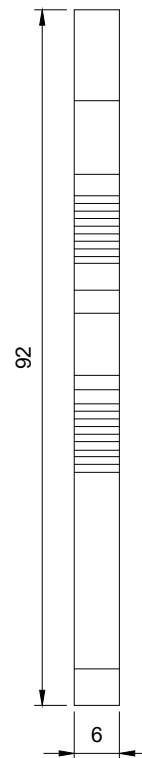
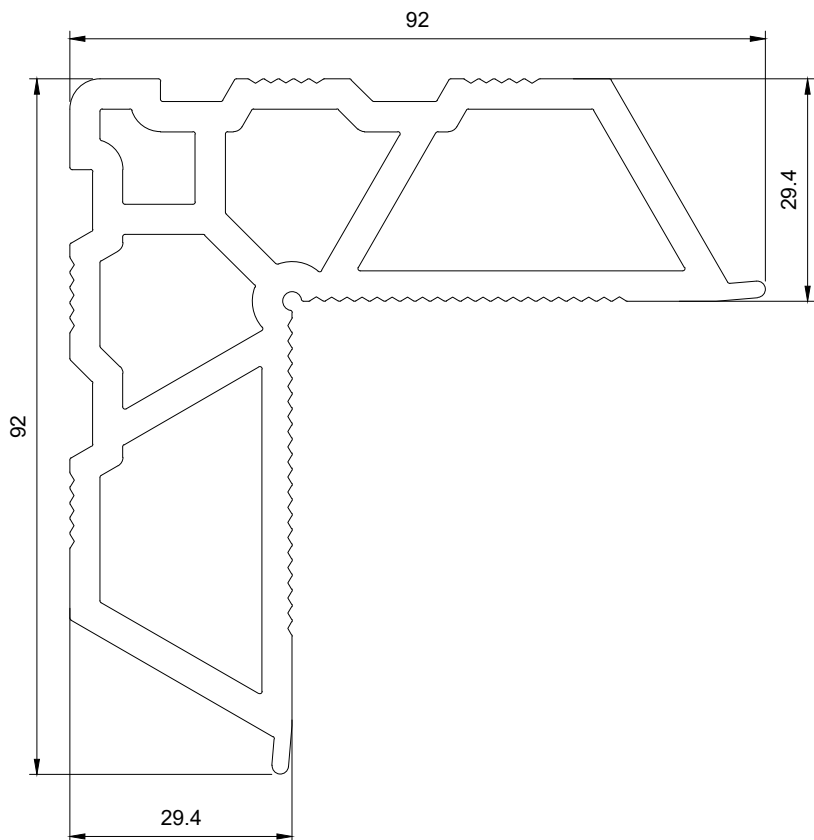


APE 2121
Dimensions:
104.5x41.8x21.7

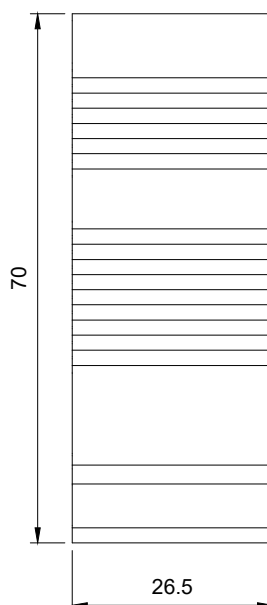
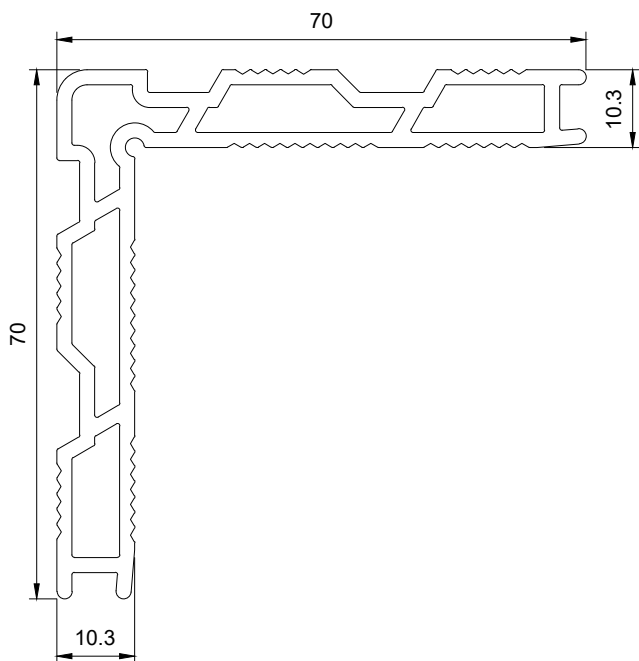


press corners for crimping machine

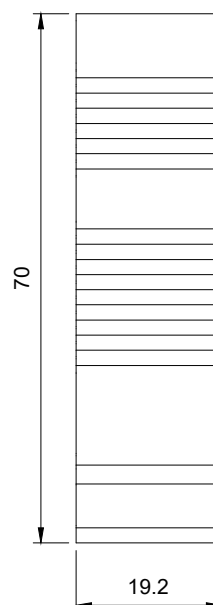
APE 0551
Dimensions:
92x29.4x6



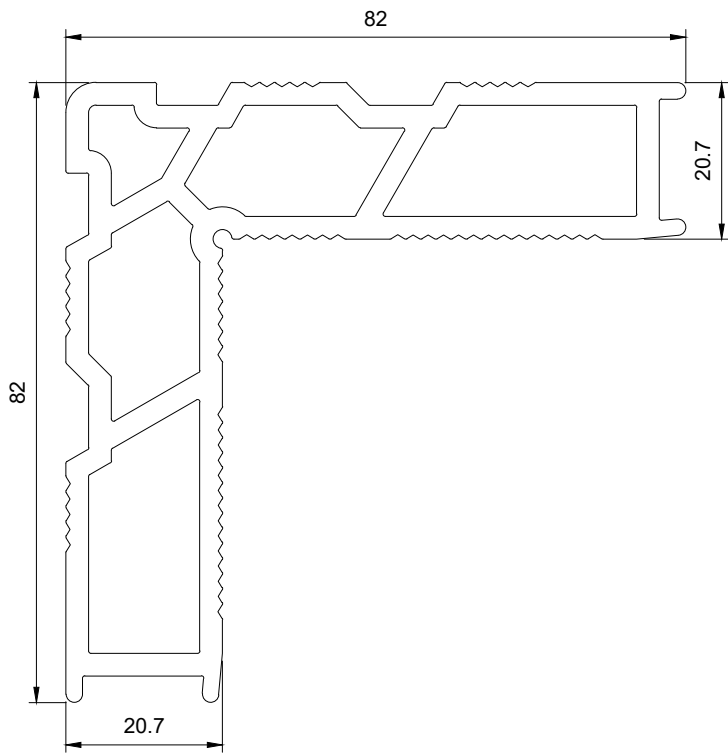
APE 2600
Dimensions:
70x10.3x26.5



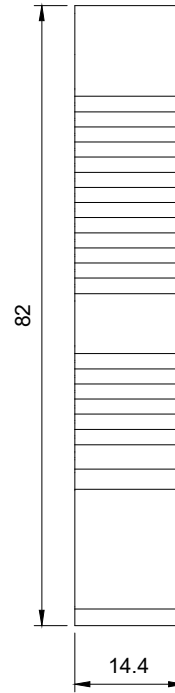
APE 1870
Dimensions:
70x10.3x19.2



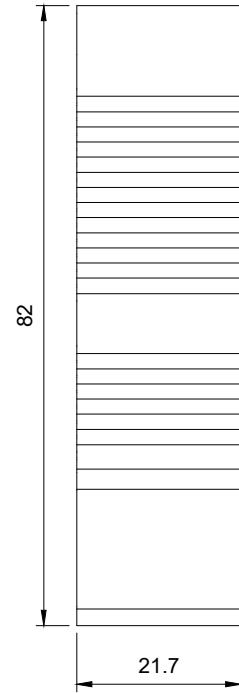
press corners for crimping machine



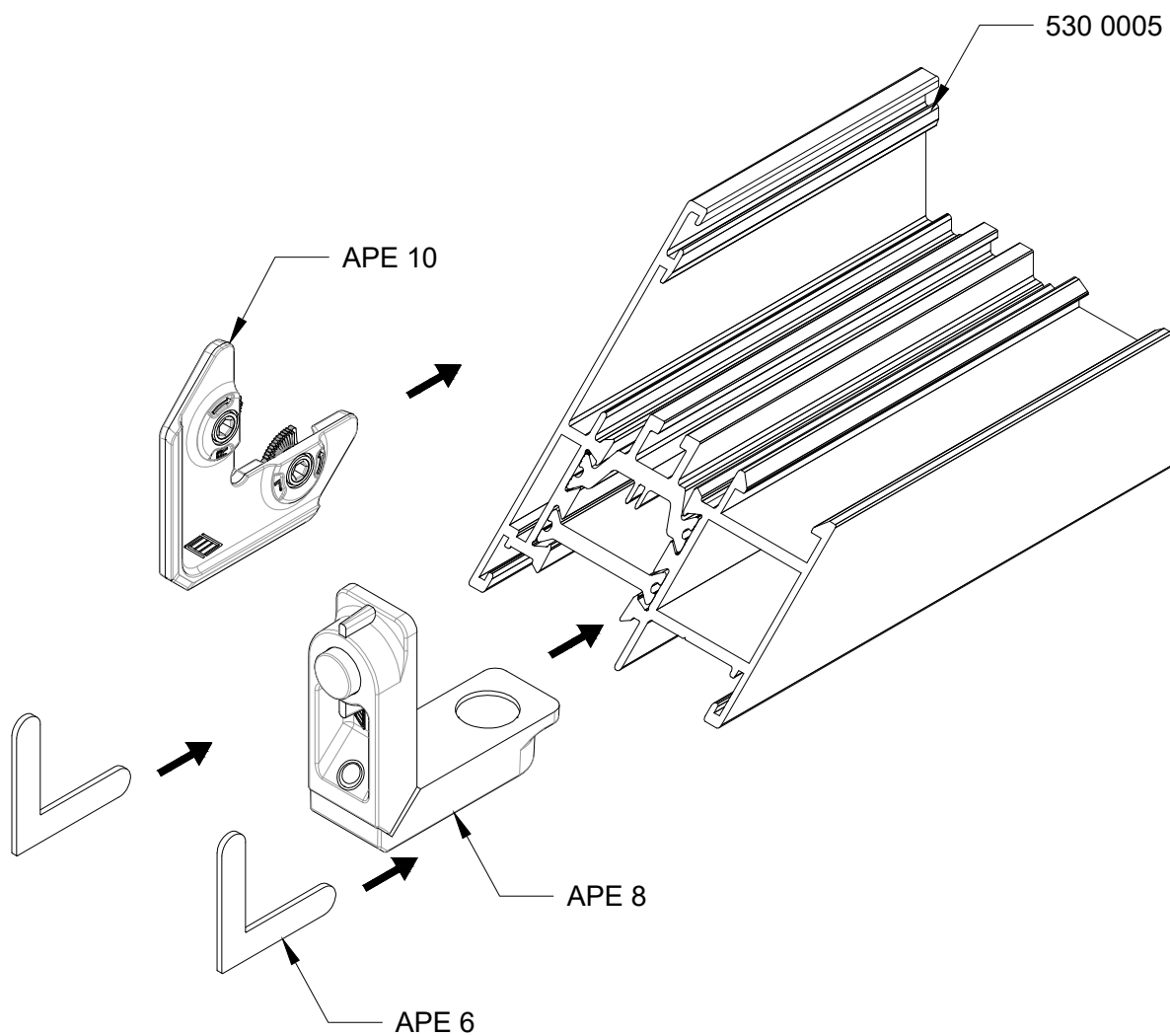
APE 1390
Dimensions:
82x20.7x14.4



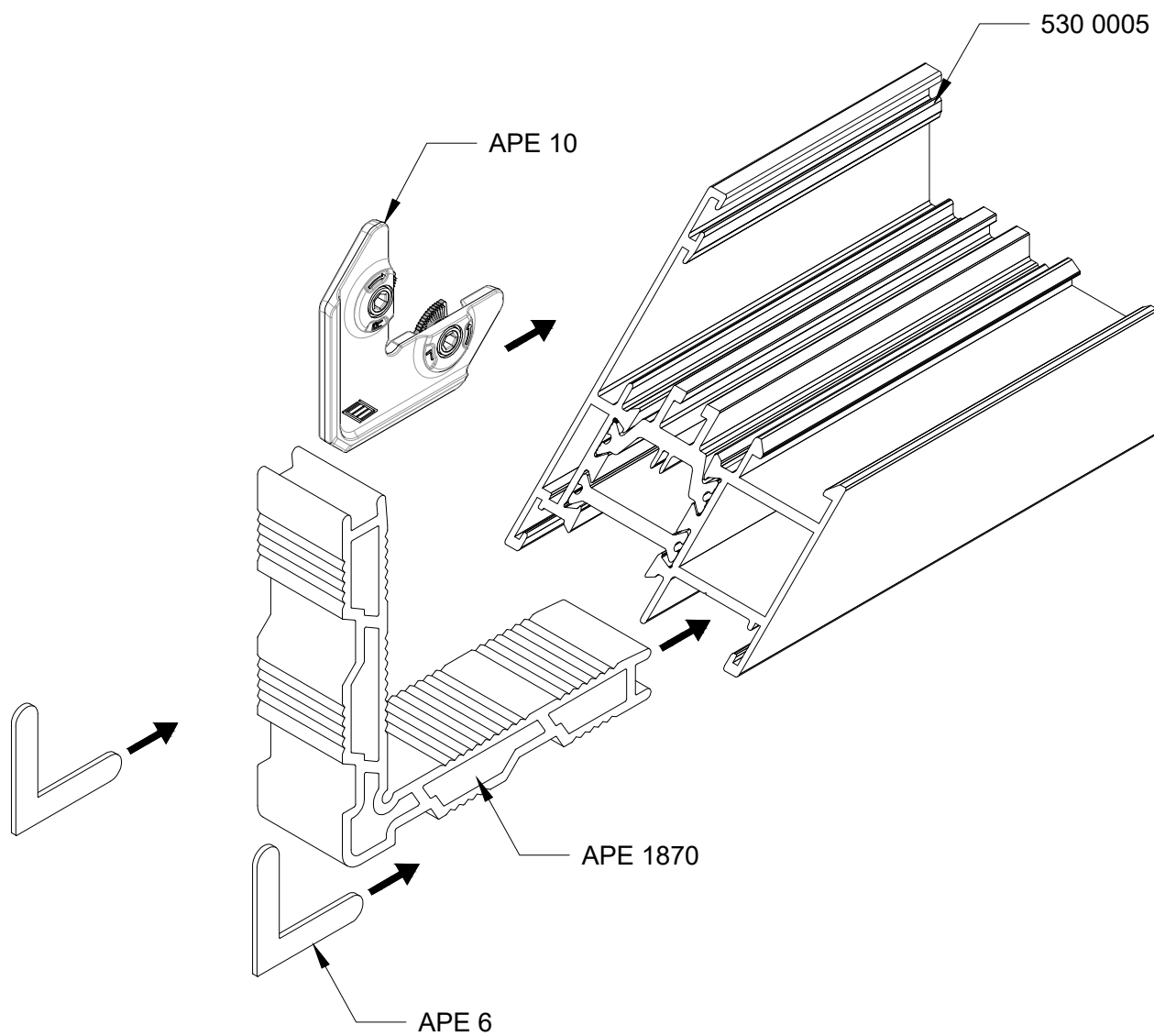
APE 2120
Dimensions:
82x20.7x21.7



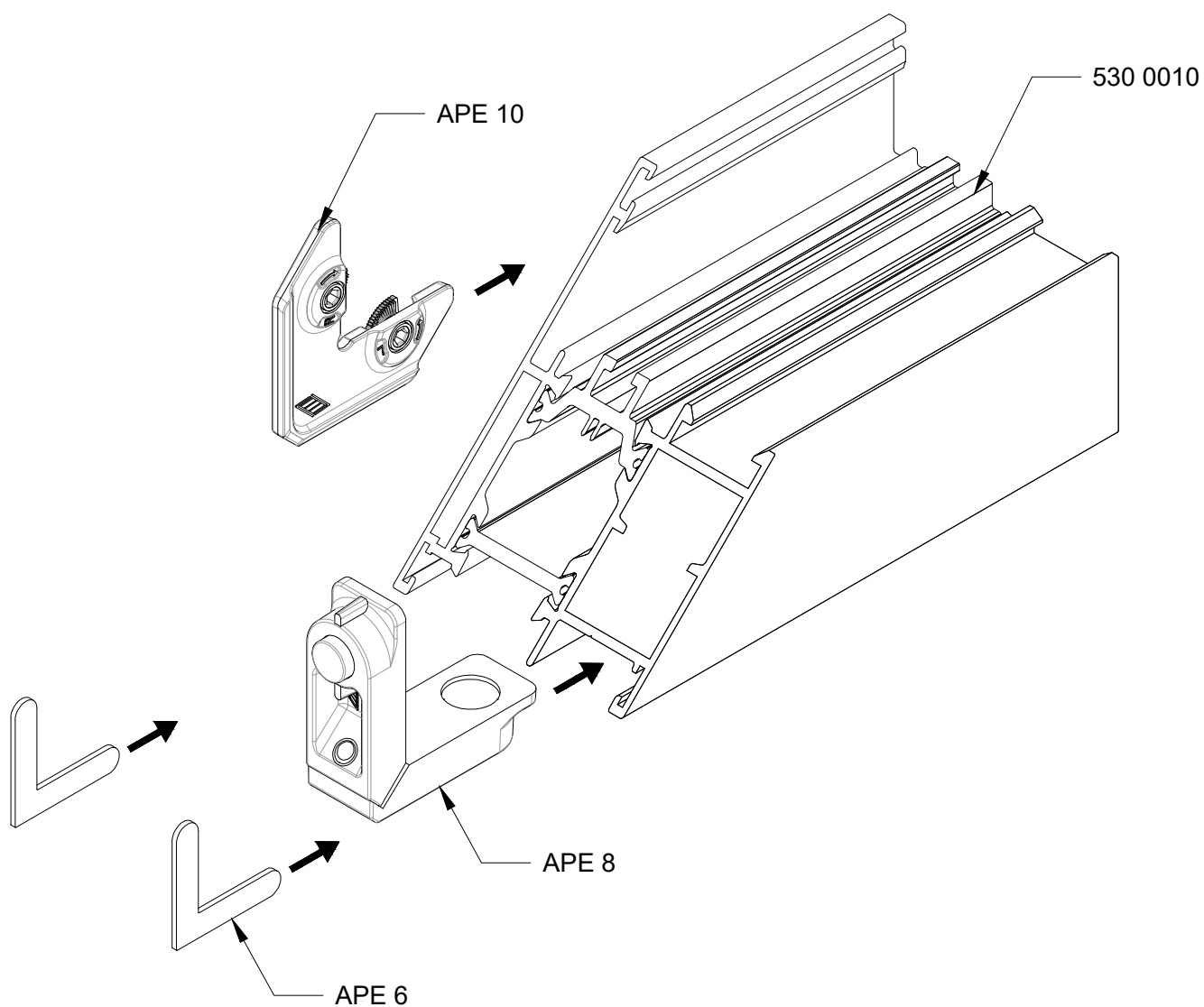
***corner connection 530 0005 frame
with mechanical corner***



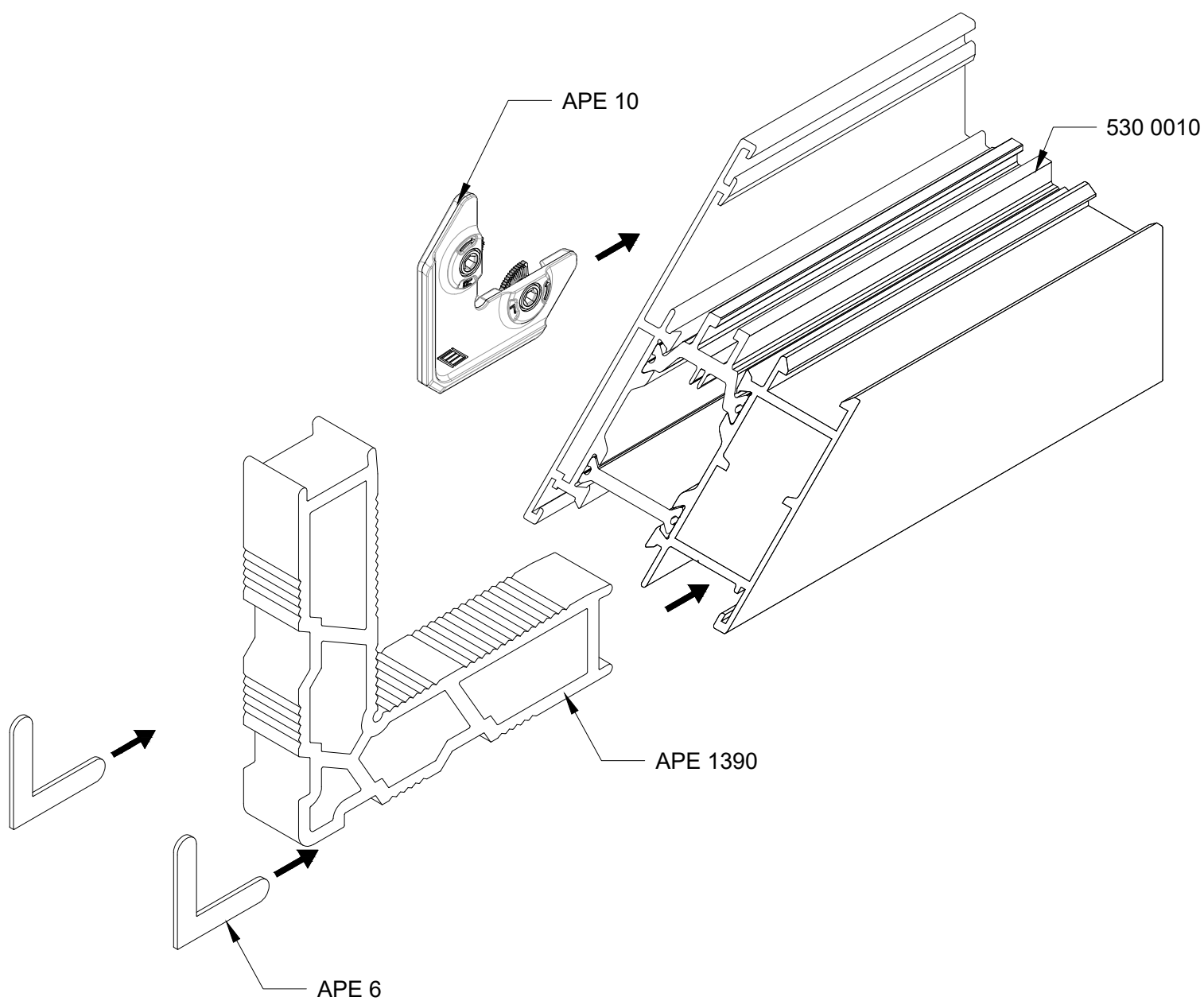
*corner connection 530 0005 frame
with press corner*



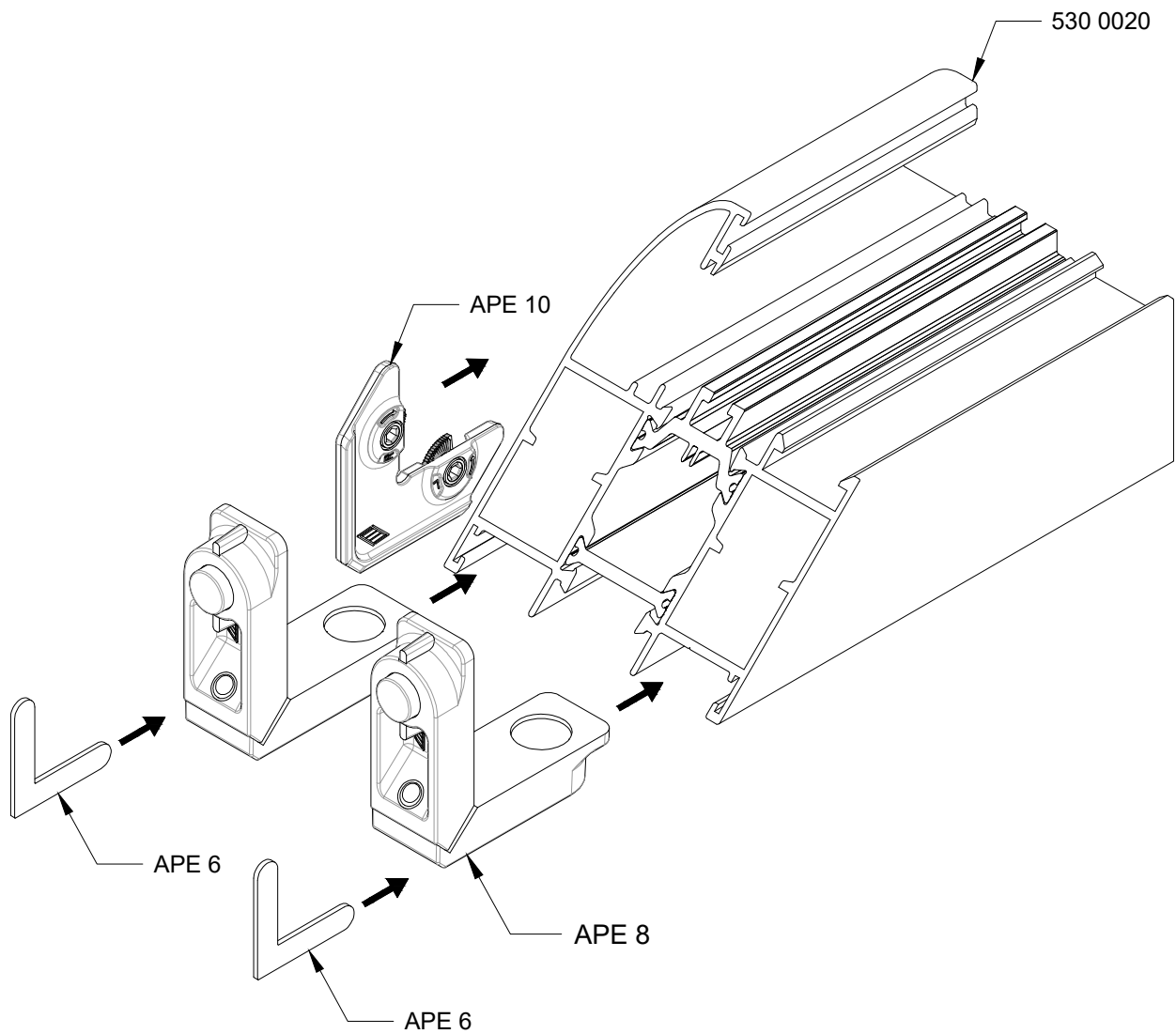
corner connection 530 0010 frame
with mechanical corner



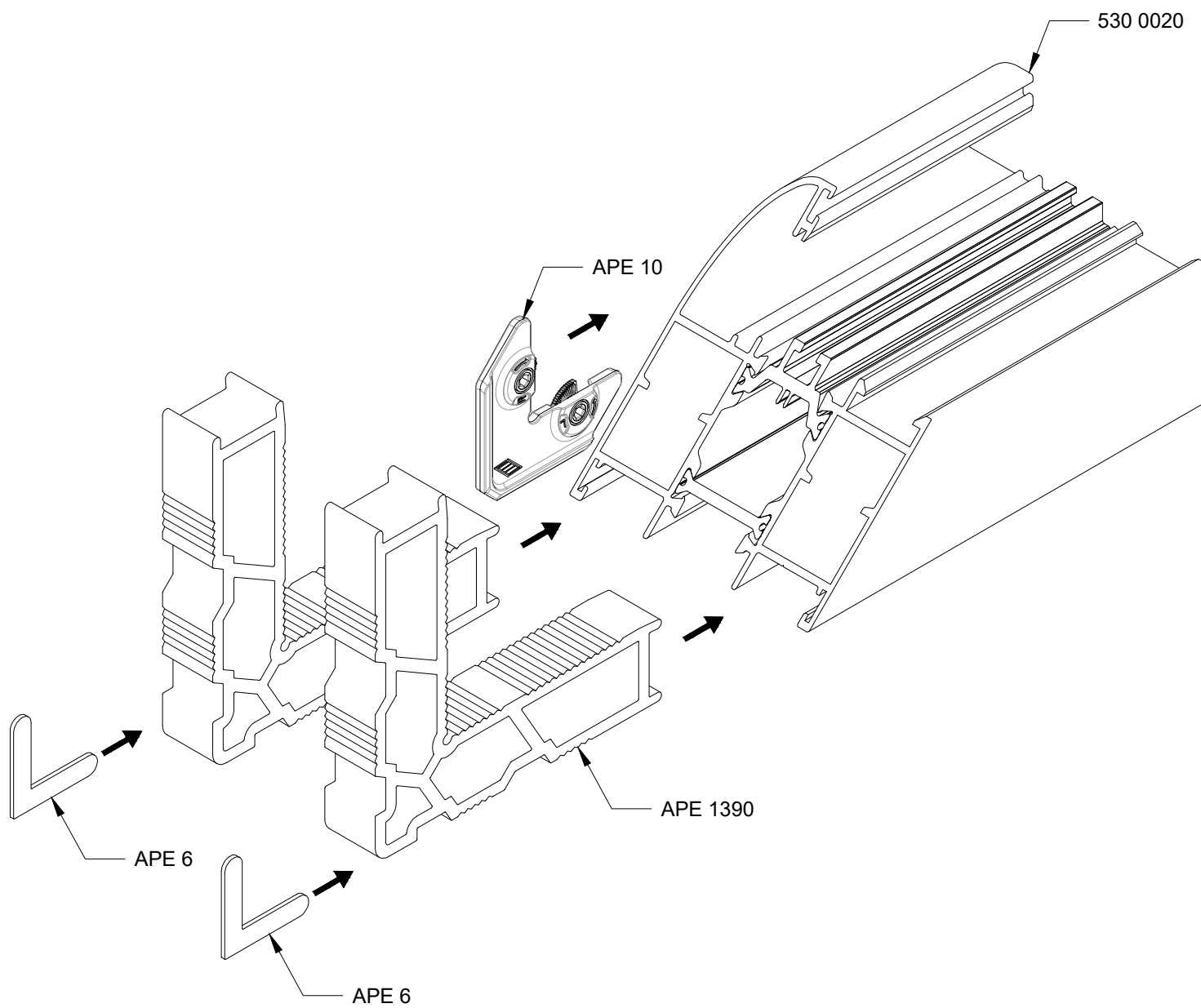
*corner connection 530 0010 frame
with press corner*



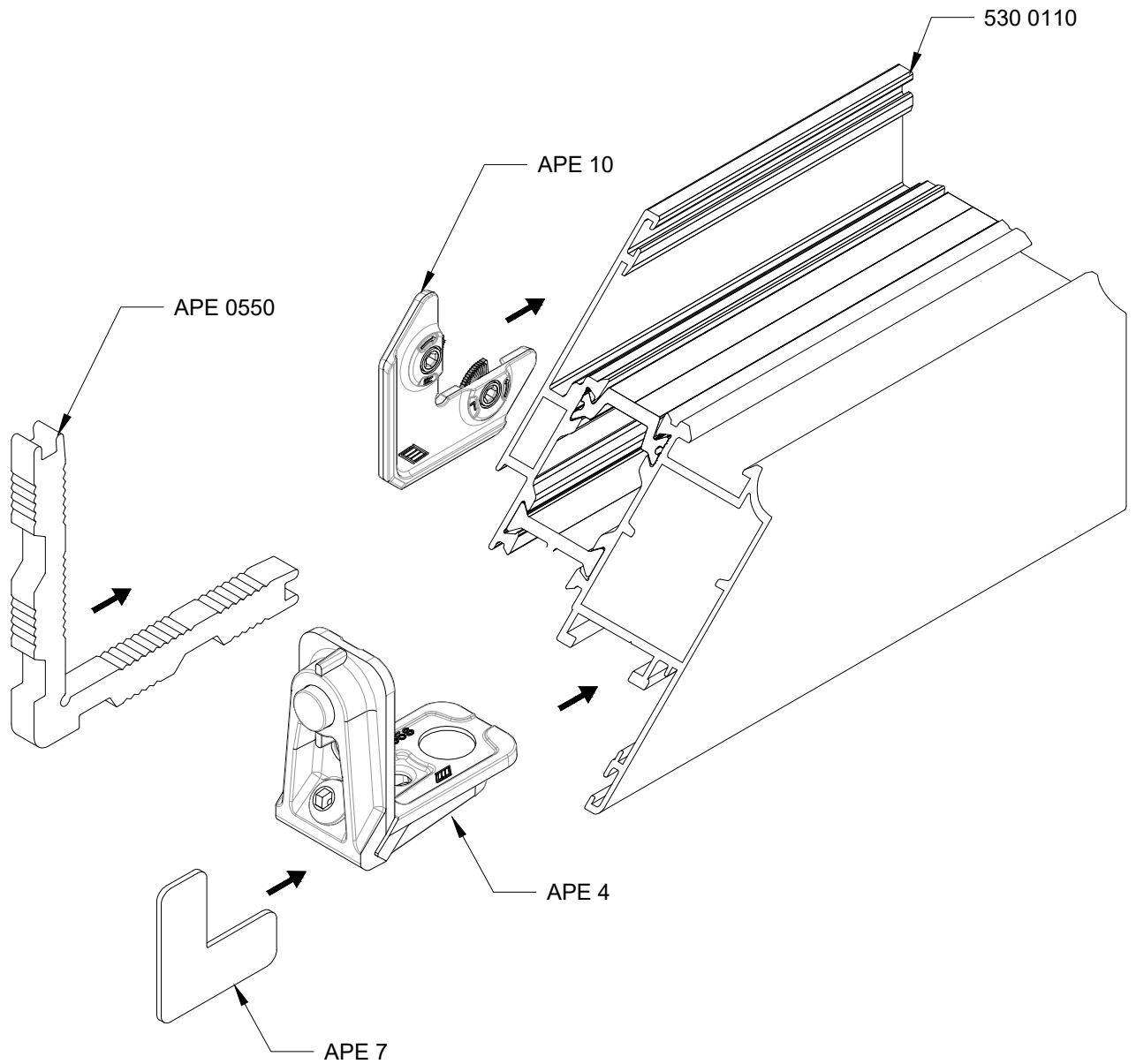
**corner connection 530 0020 frame
with mechanical corner**



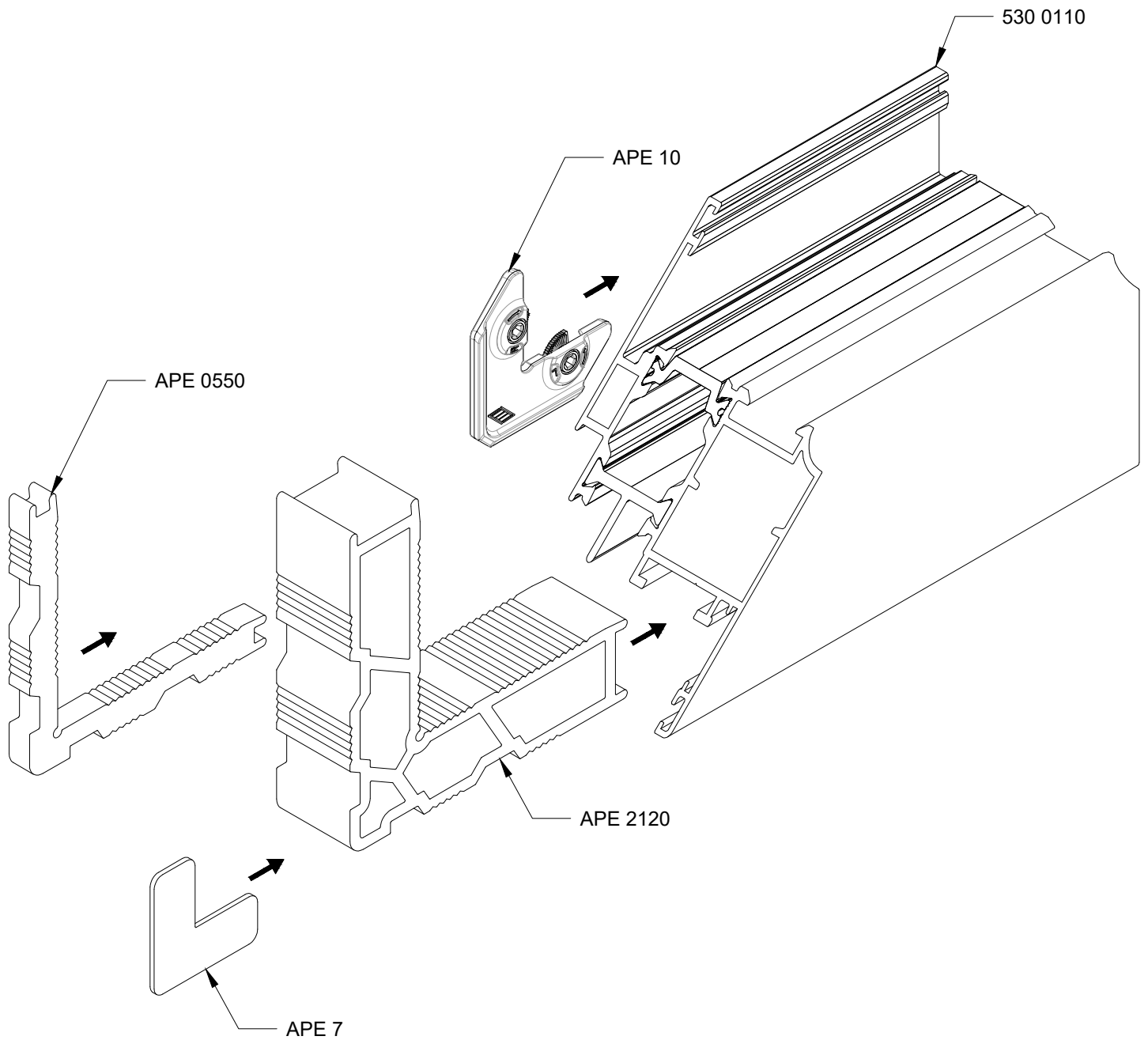
*corner connection 530 0020 frame
with press corner*



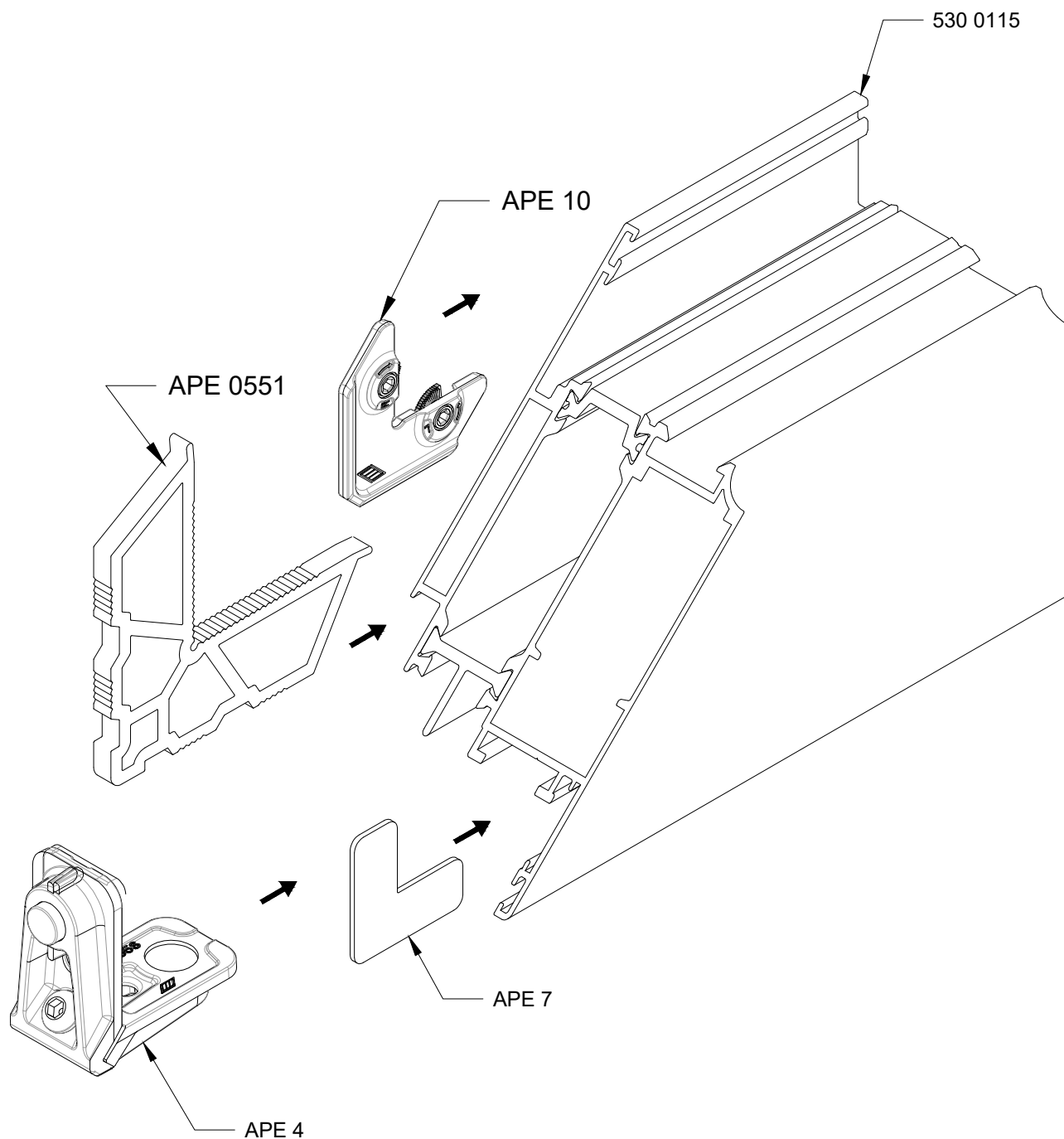
corner connection 530 0110 sash
with mechanical corner



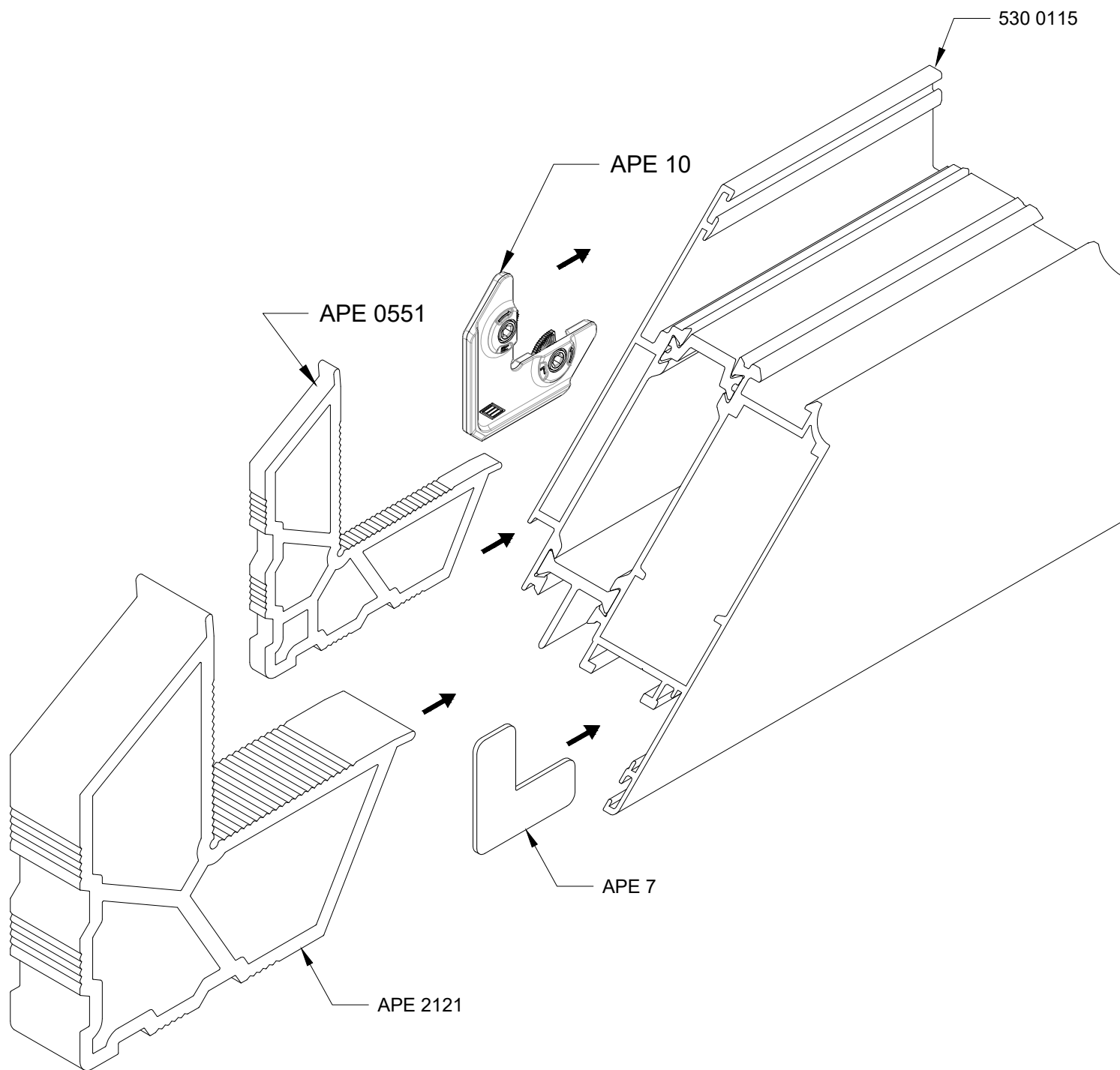
*corner connection 530 0110 sash
with press corner*



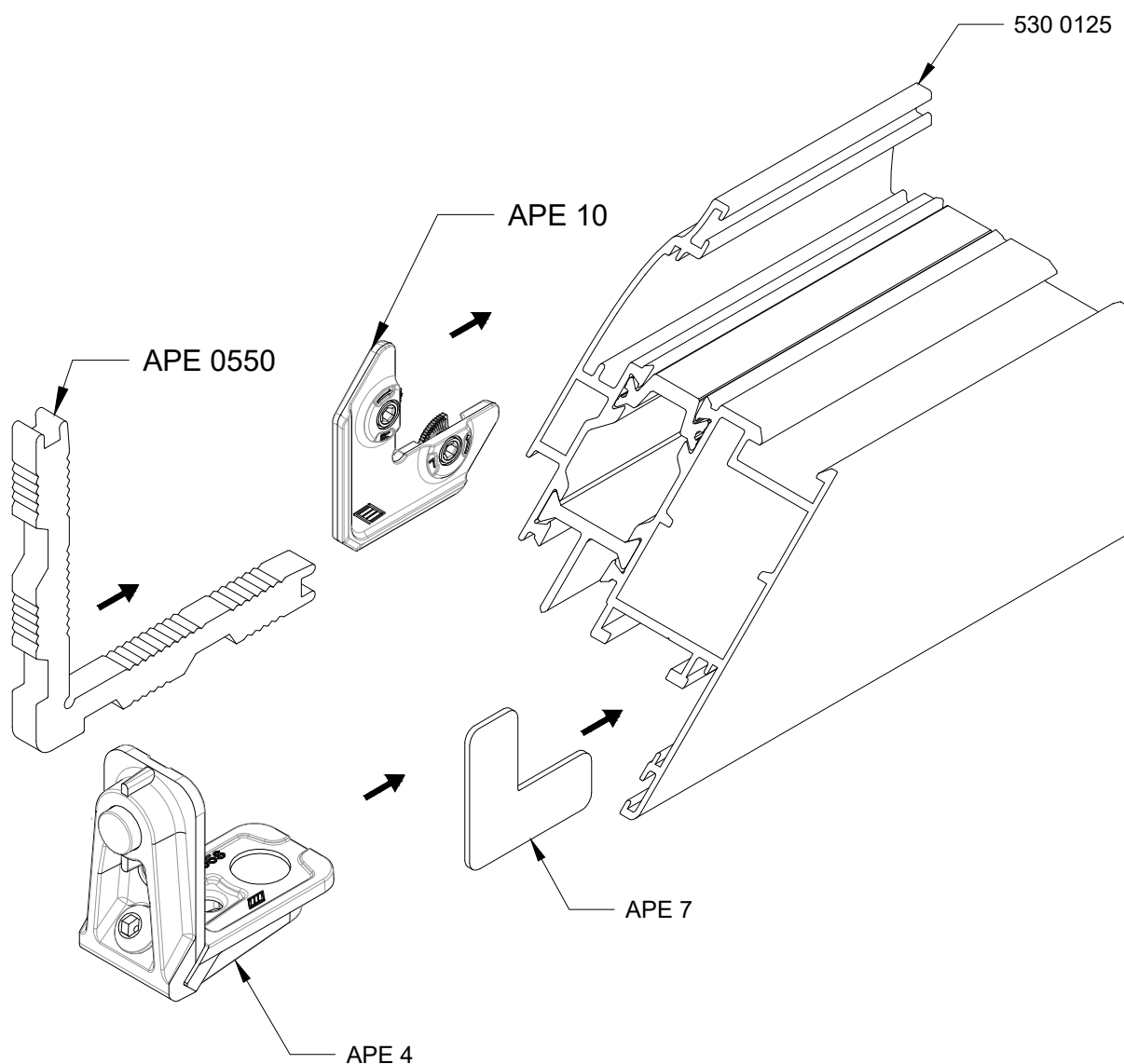
corner connection 530 0115 sash
with mechanical corner



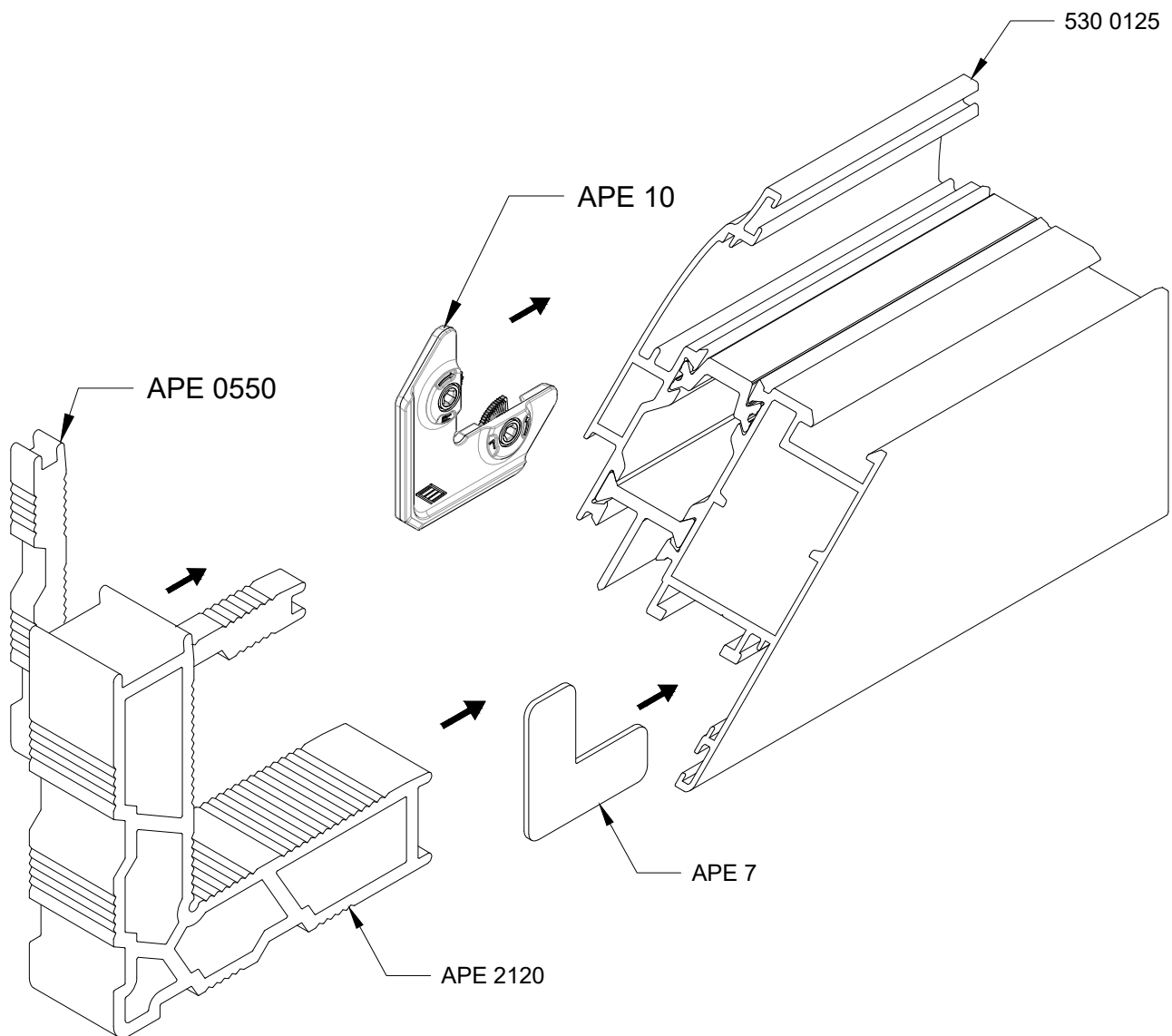
**corner connection 530 0115 sash
with press corner**



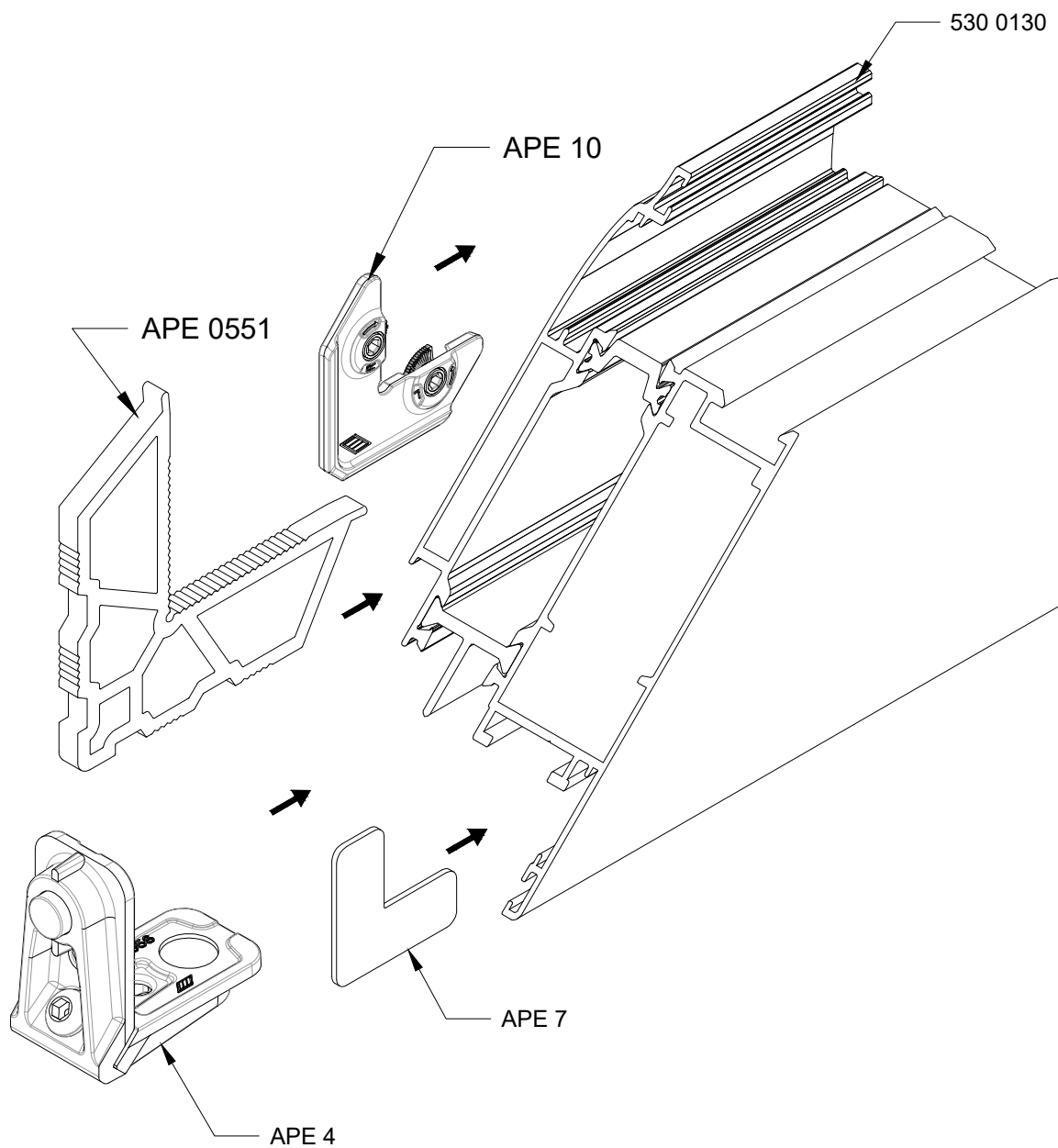
corner connection 530 0125 sash
with mechanical corner



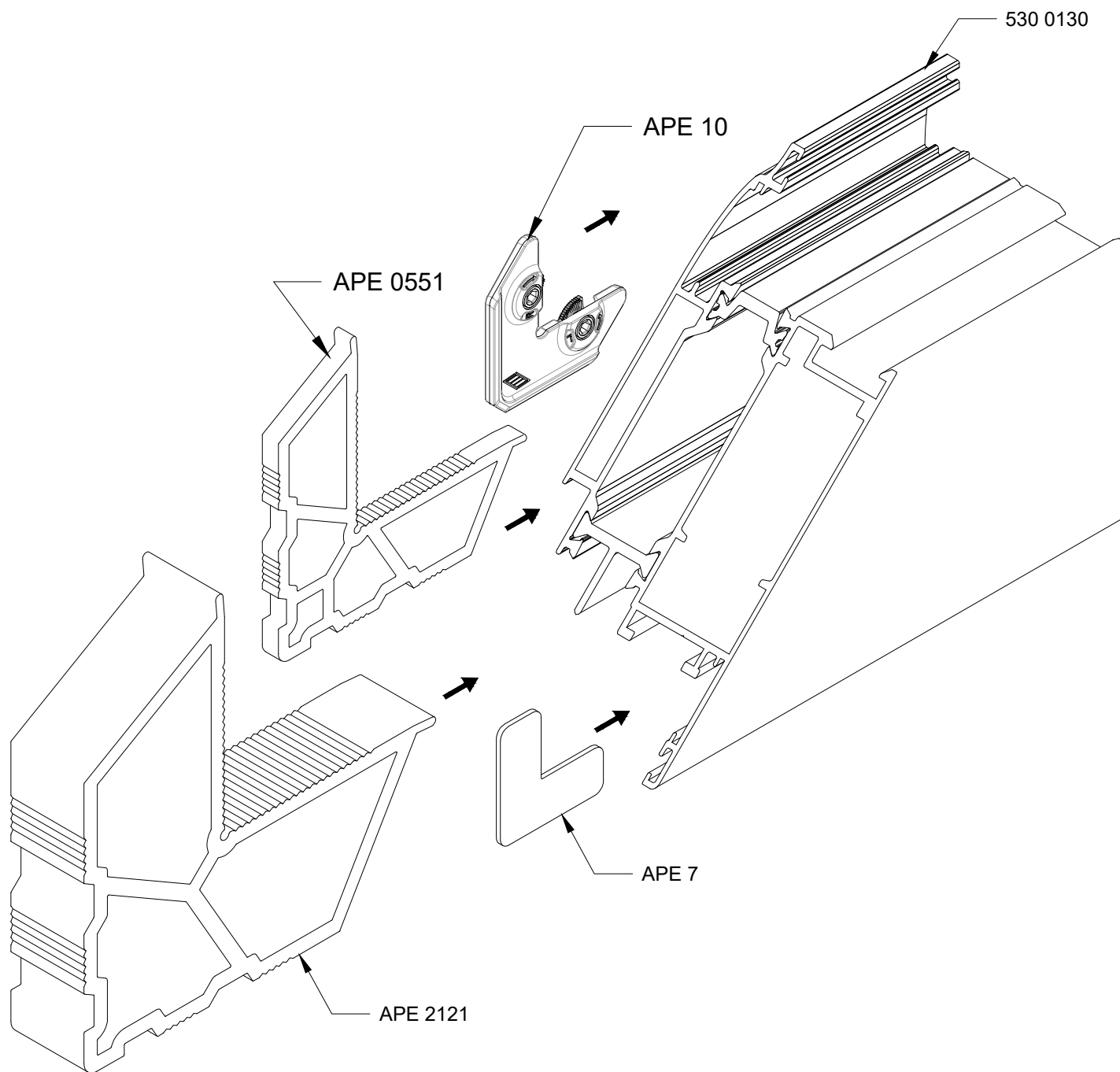
**corner connection 530 0125 sash
with press corner**



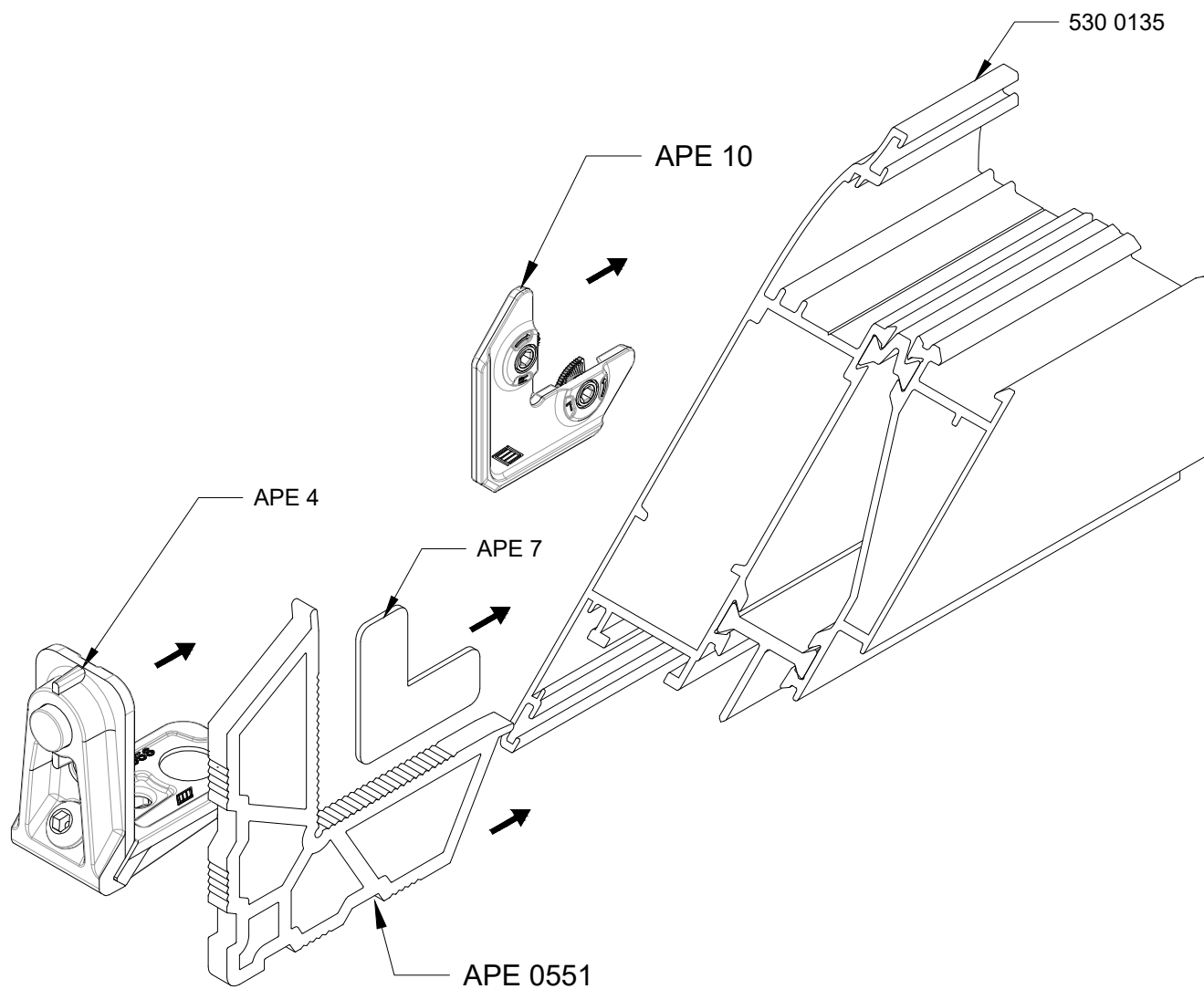
corner connection 530 0130 sash
with mechanical corner



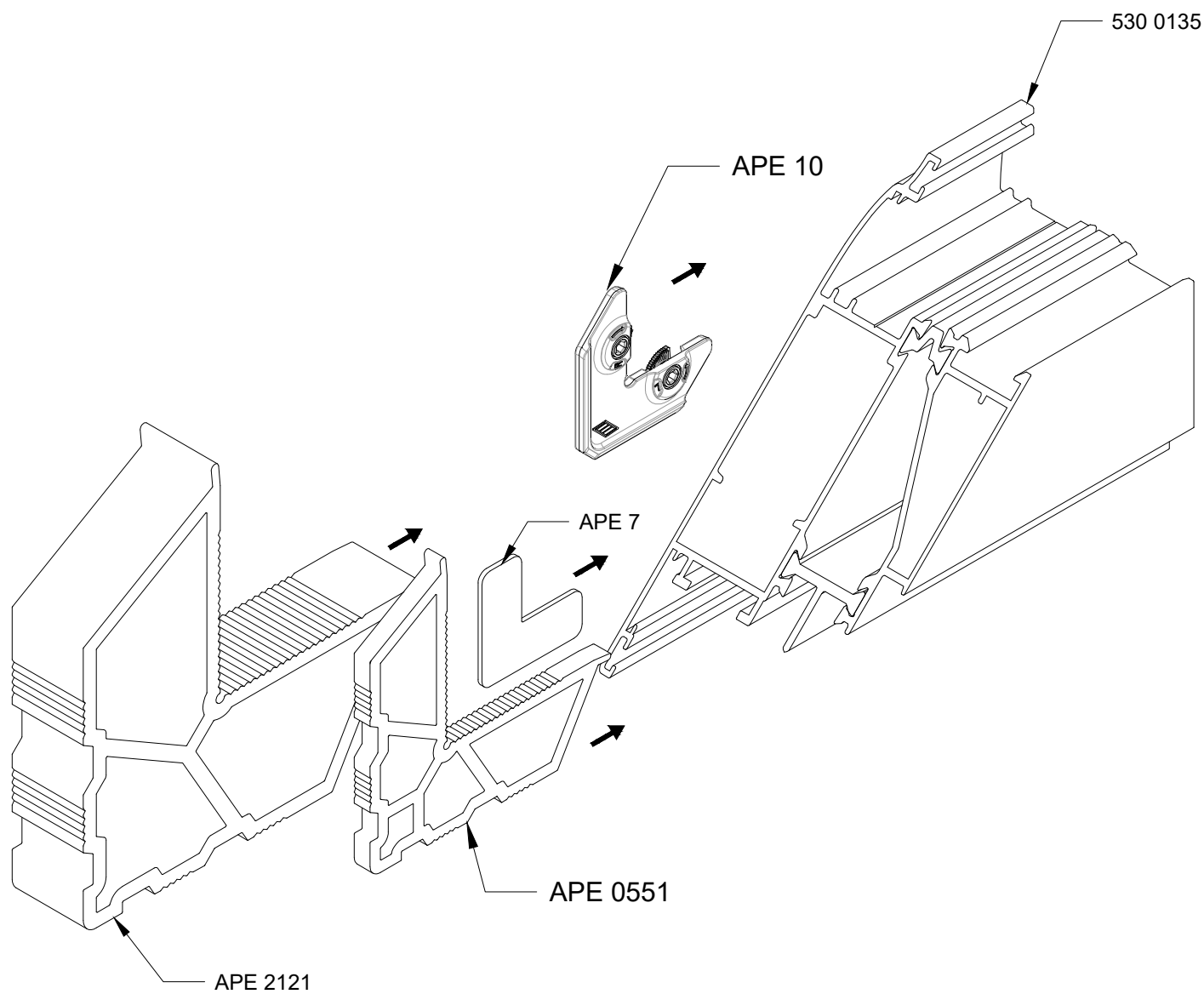
corner connection 530 0130 sash
with press corner



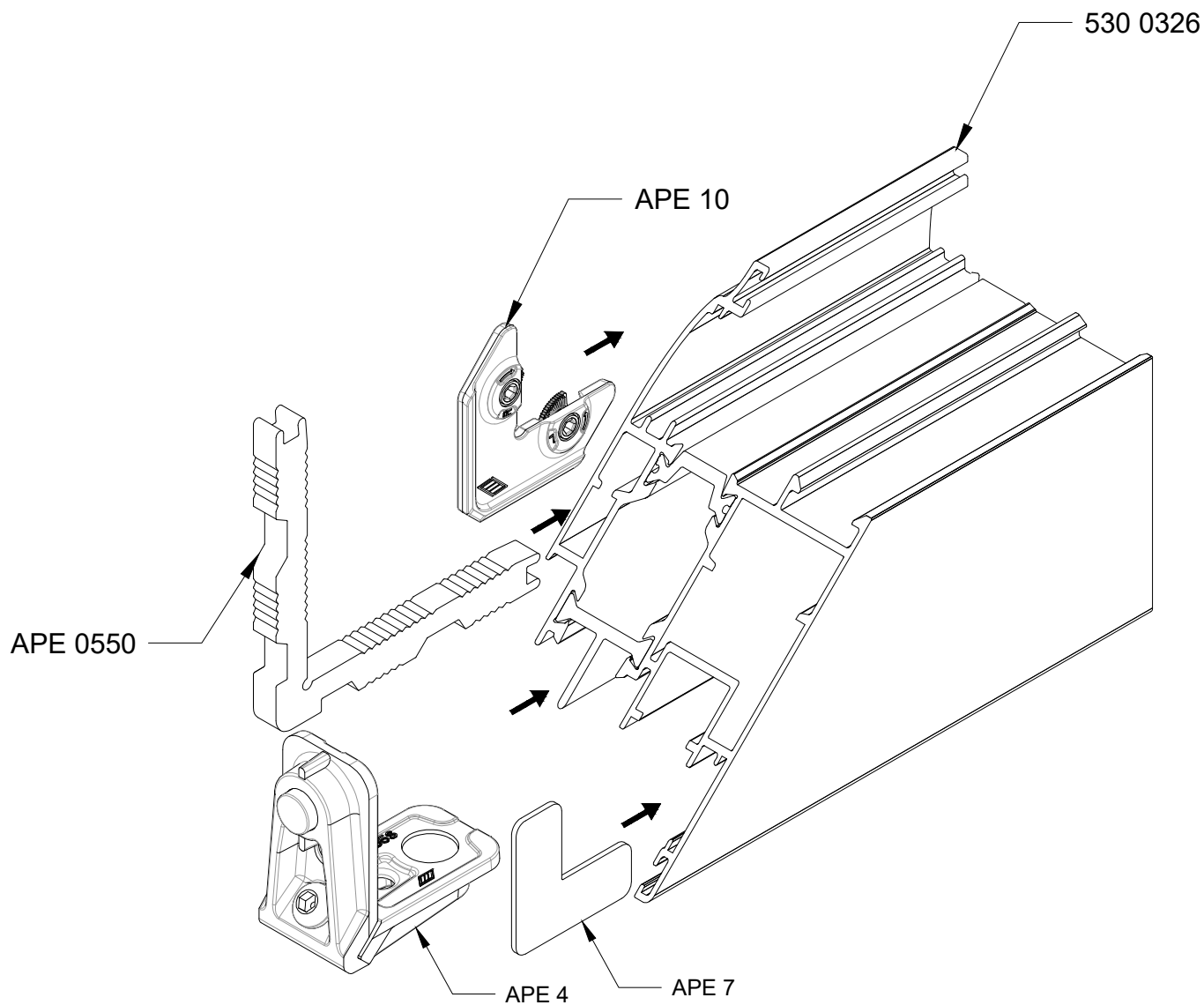
corner connection 530 0135 sash
with mechanical corner



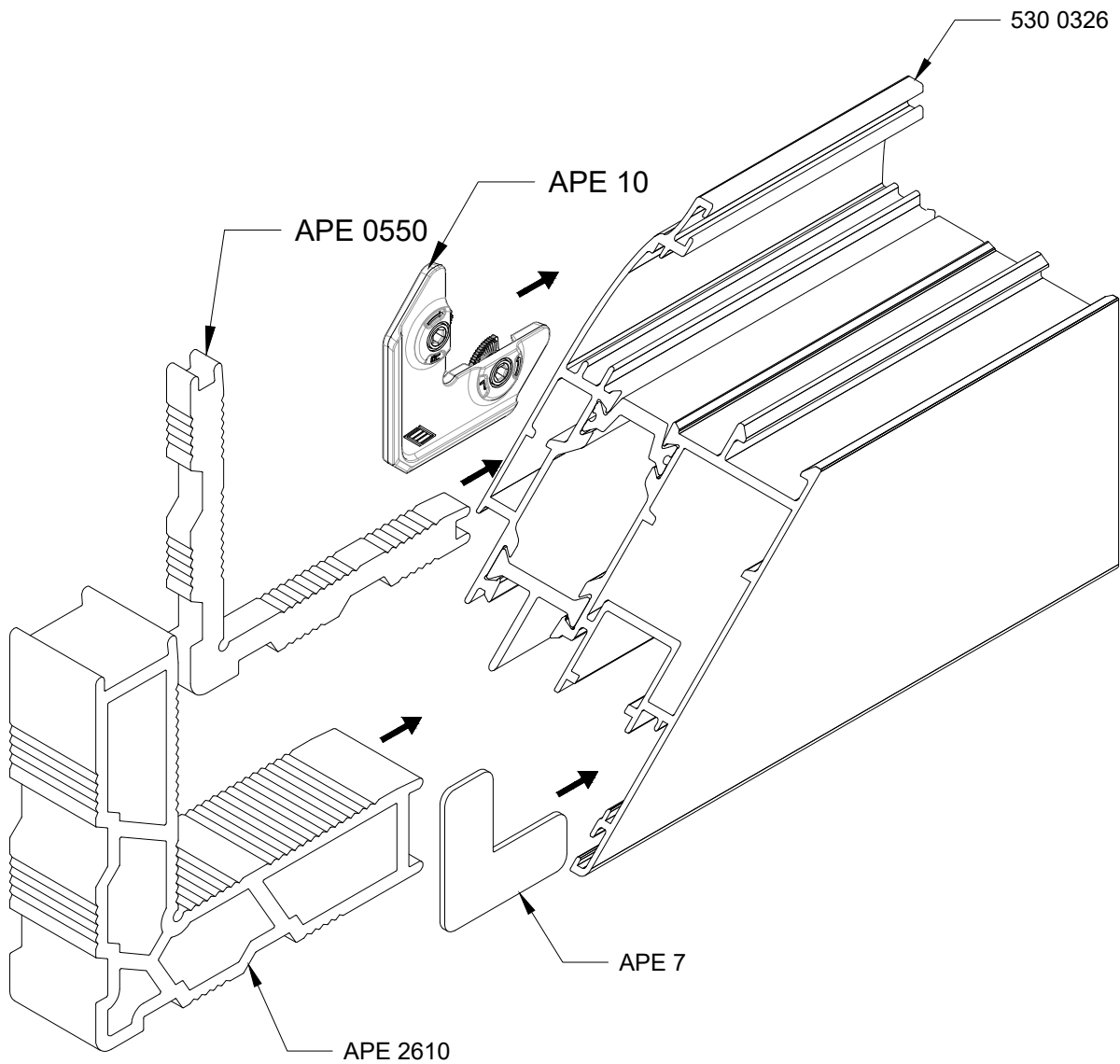
*corner connection 530 0135 sash
with press corner*



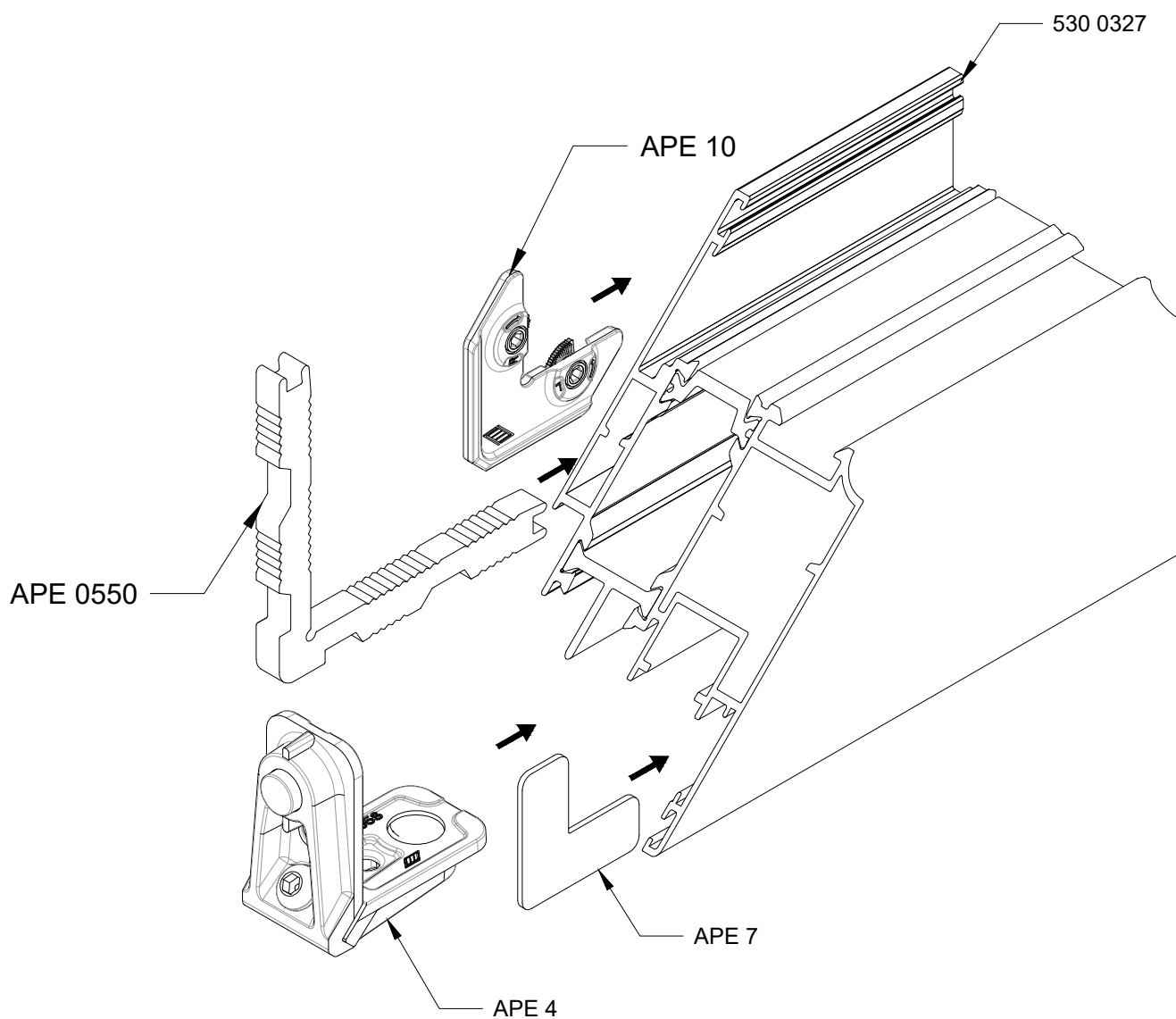
corner connection 530 0326 sash
with mechanical corner



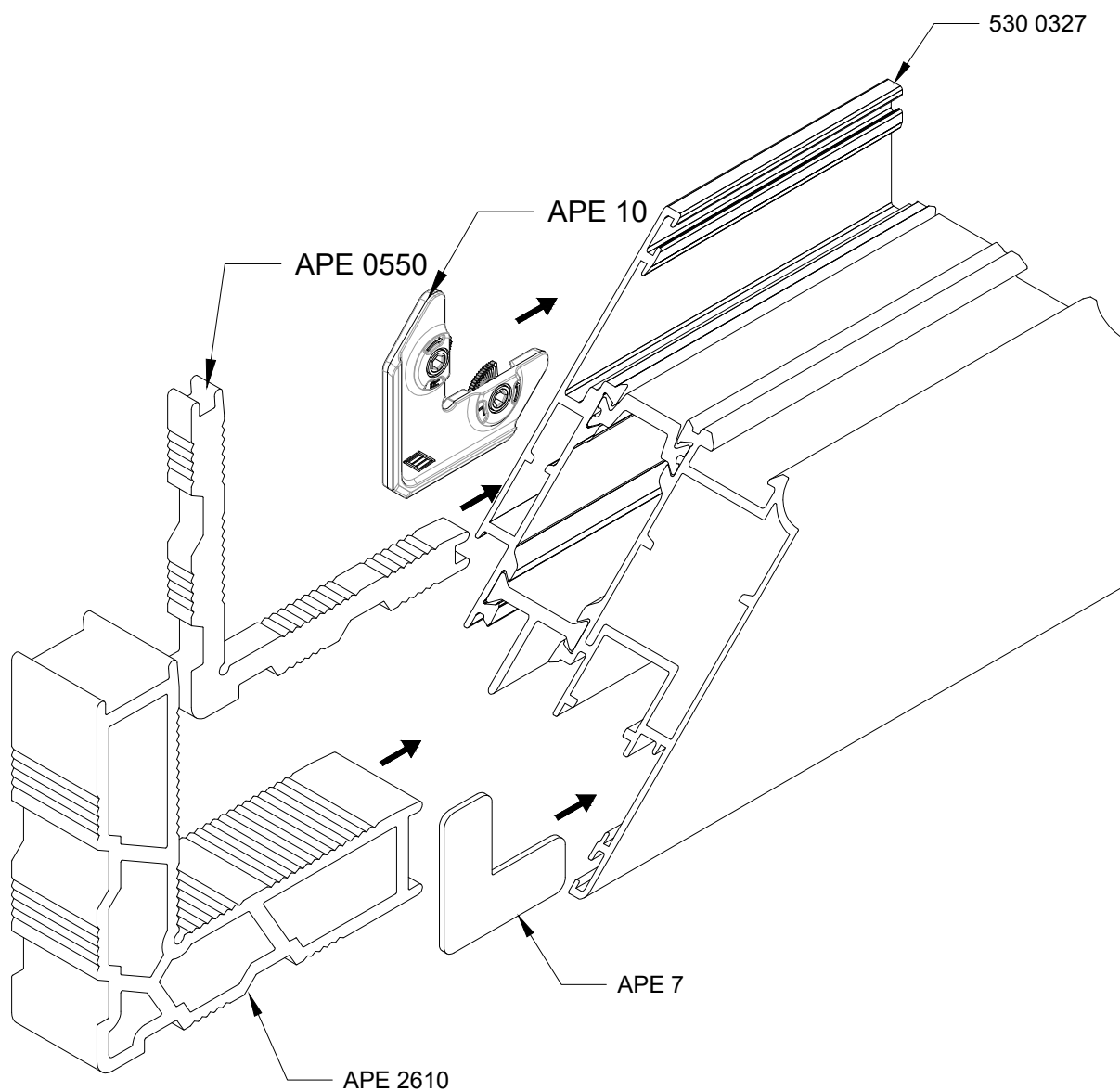
**corner connection 530 0326 sash
with press corner**



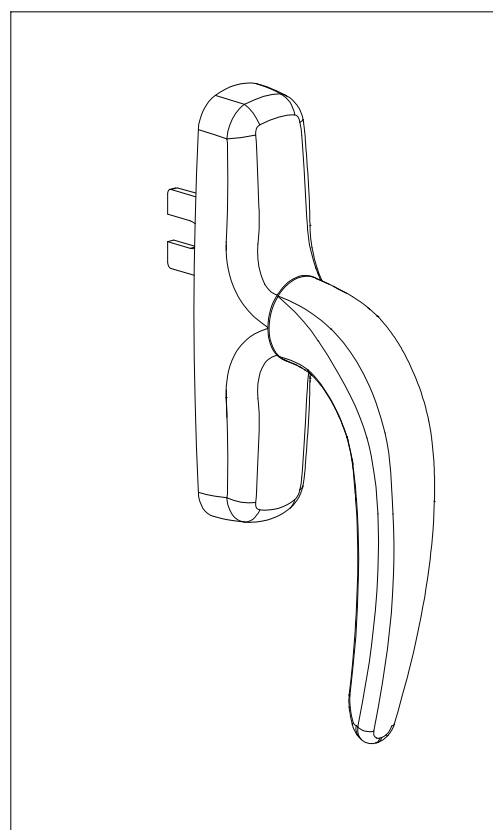
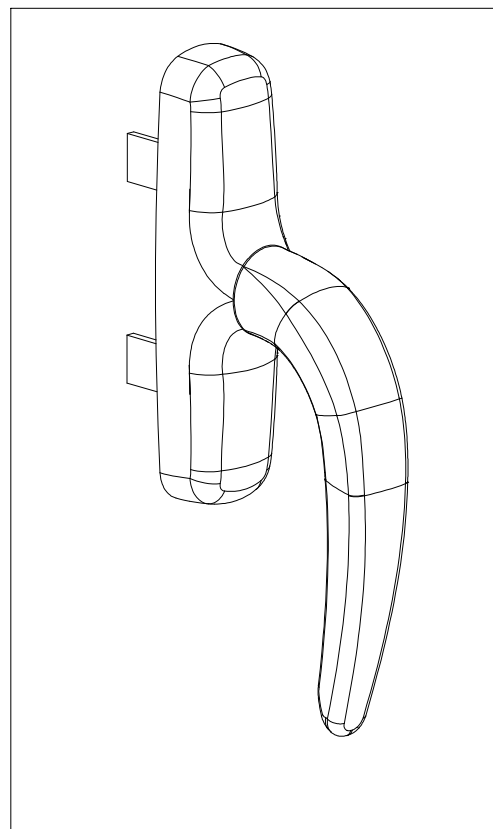
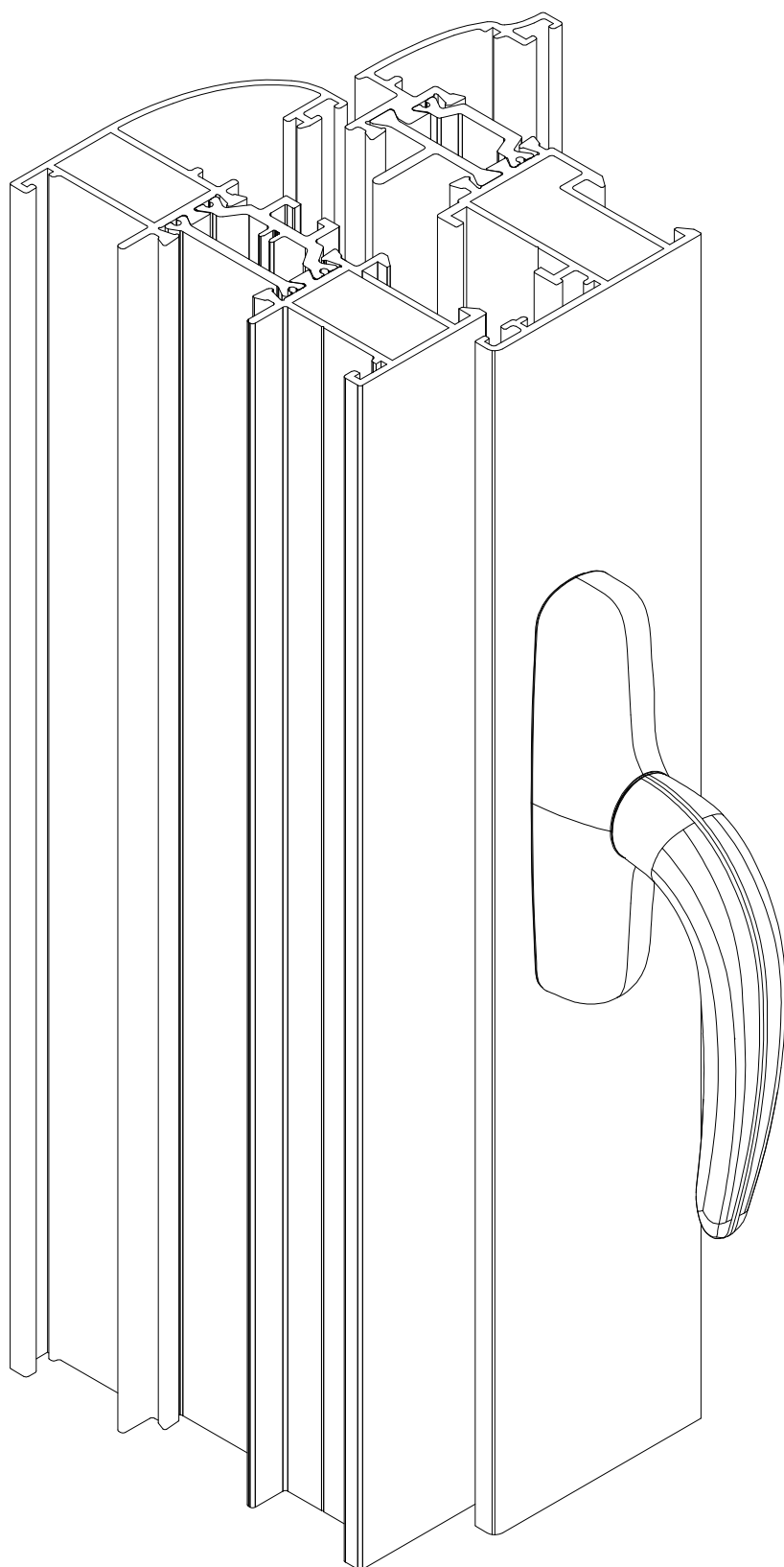
corner connection 530 0327 sash
with mechanical corner



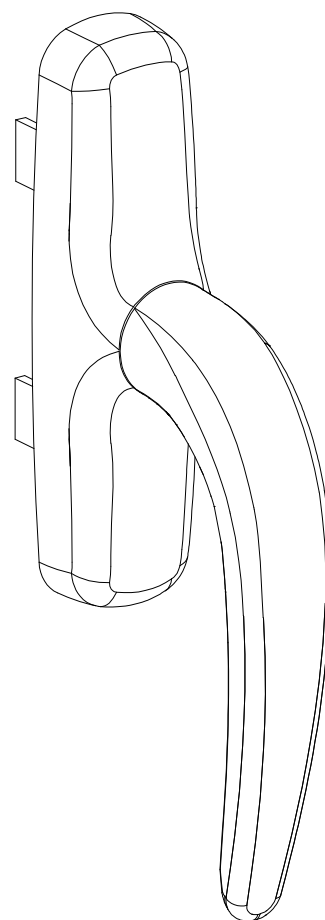
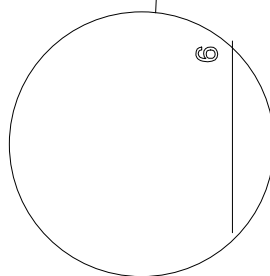
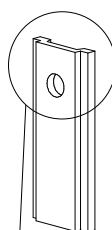
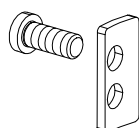
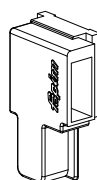
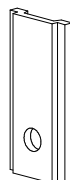
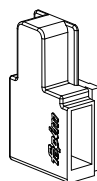
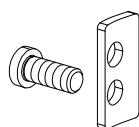
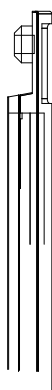
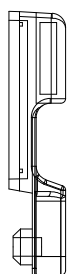
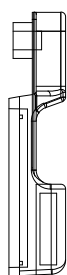
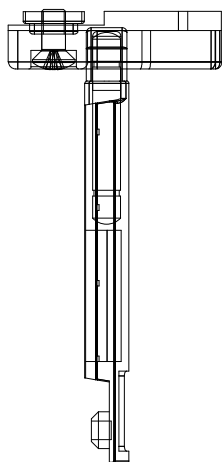
**corner connection 530 0327 sash
with press corner**



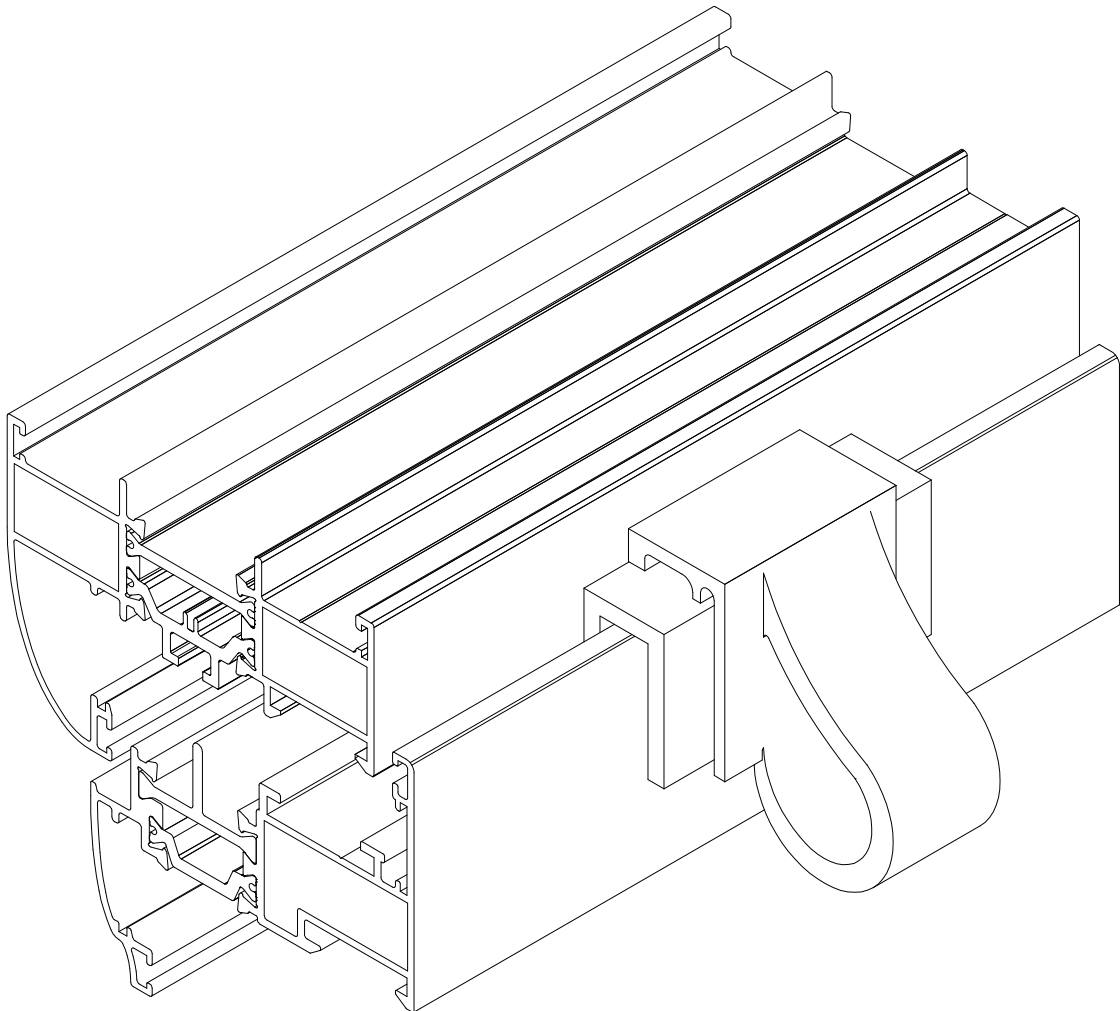
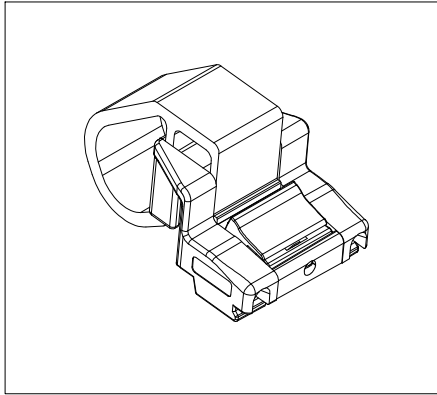
handles for windows



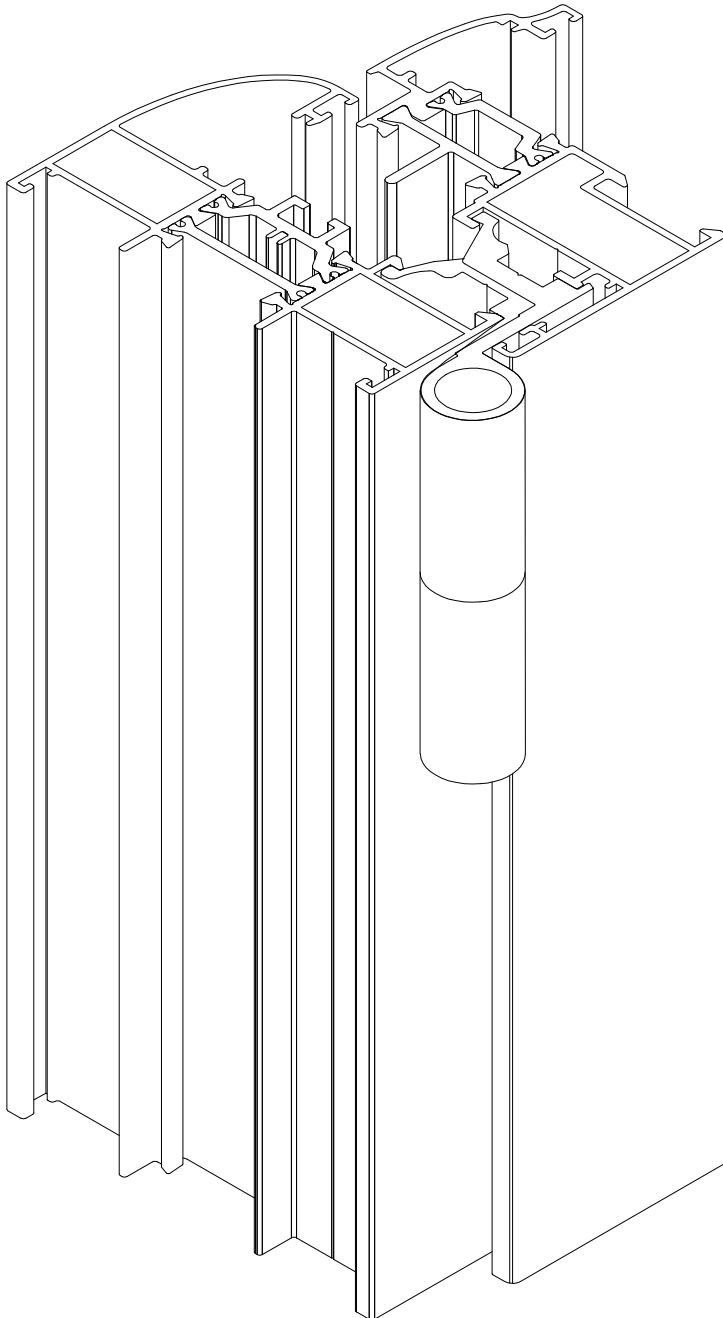
handles for windows



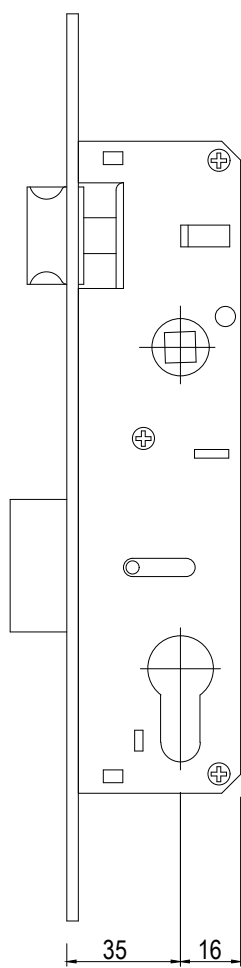
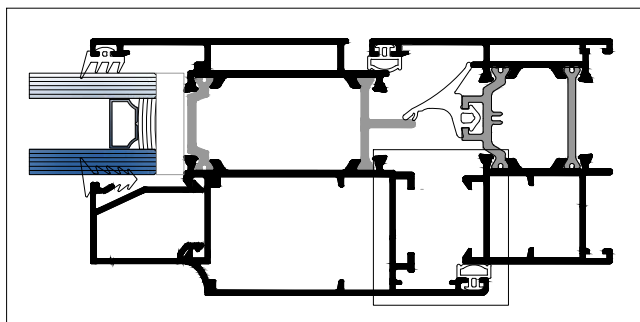
latch for window



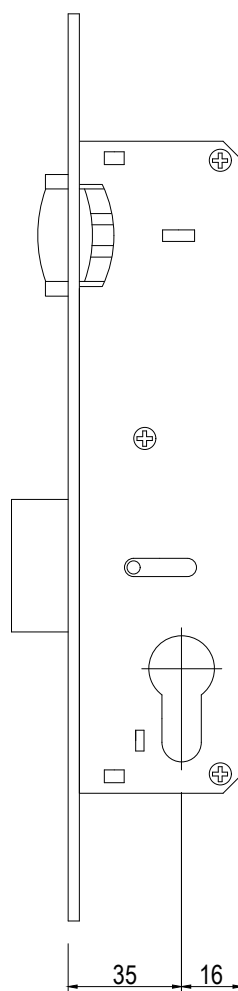
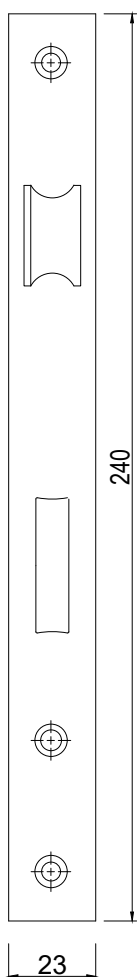
hinges for windows



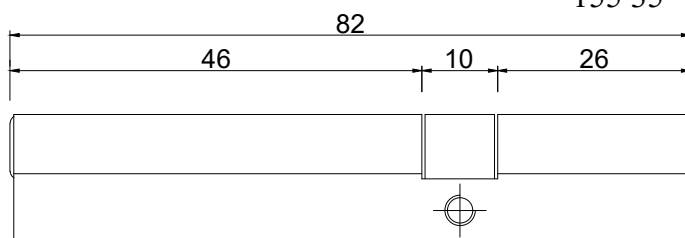
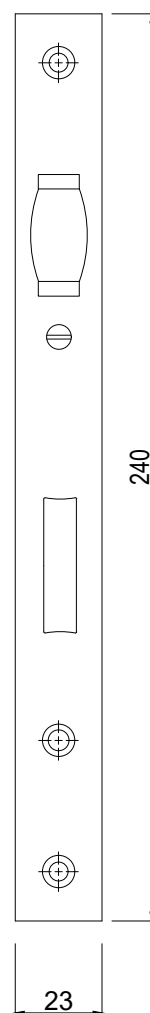
Door lock



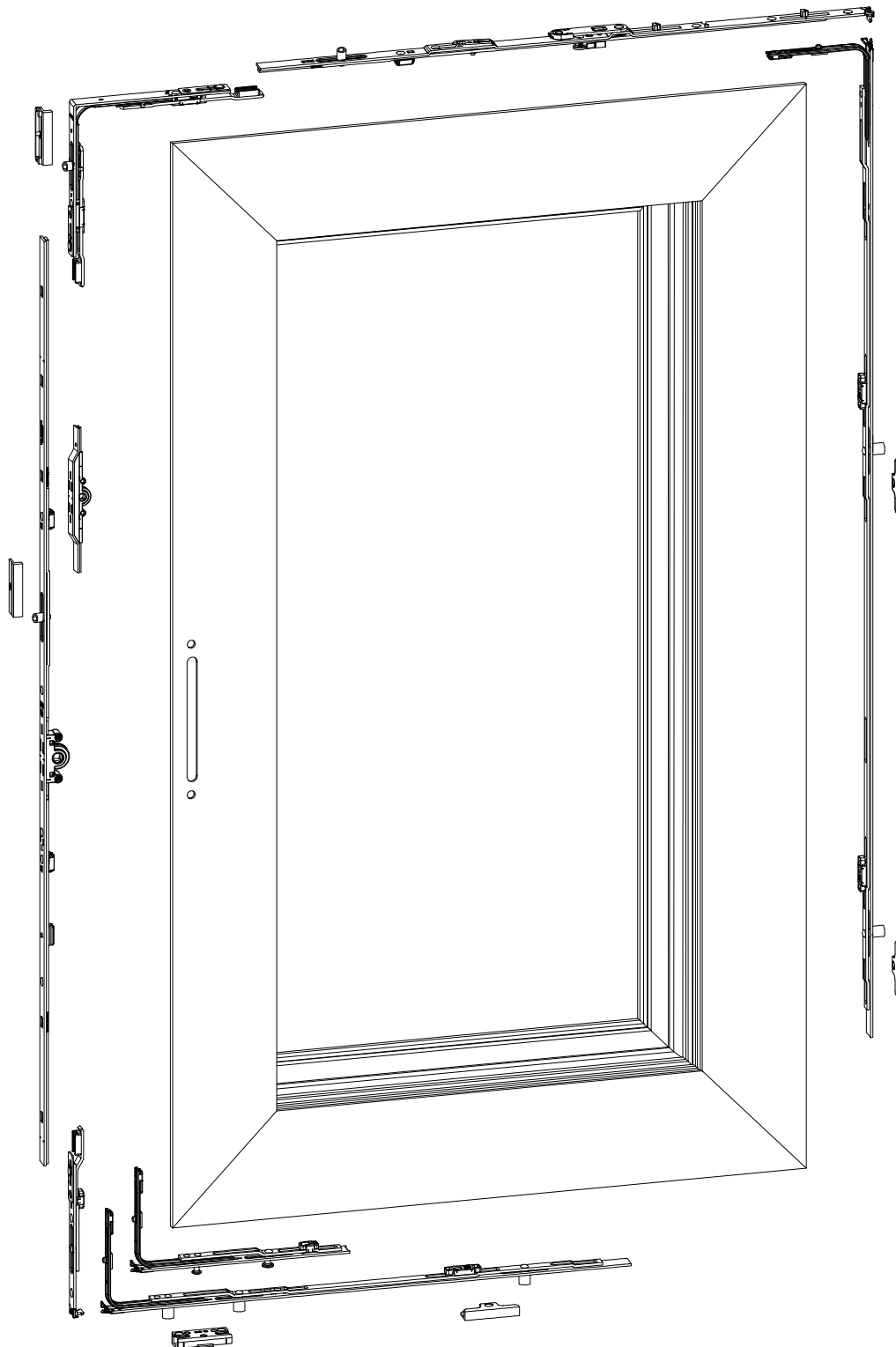
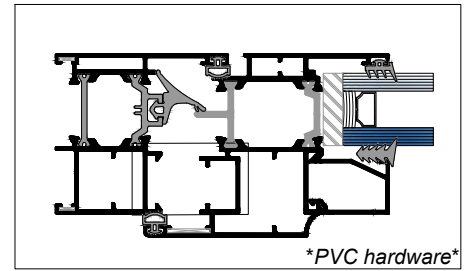
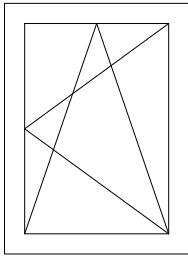
153 35



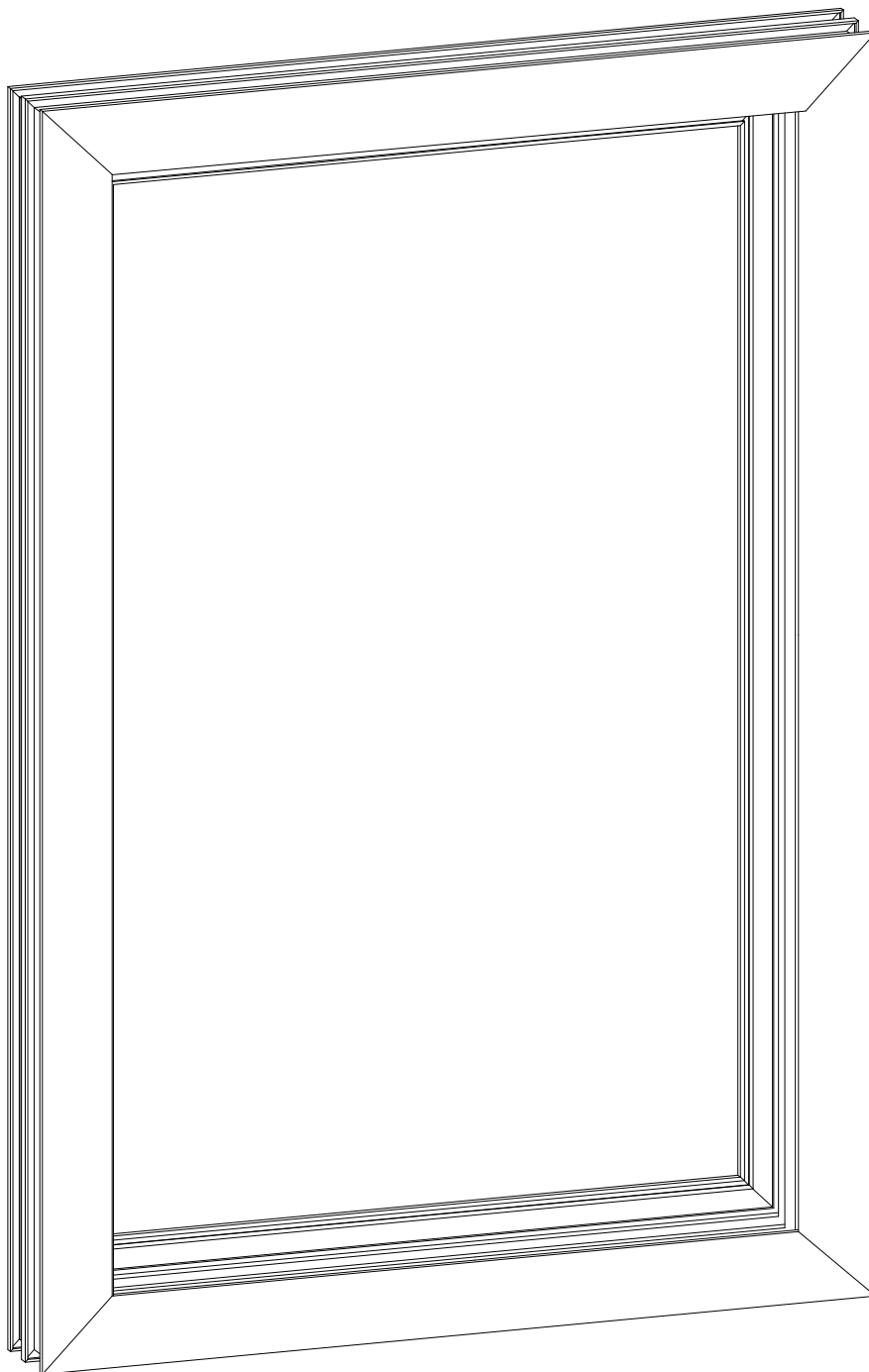
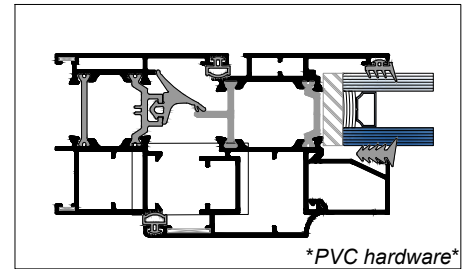
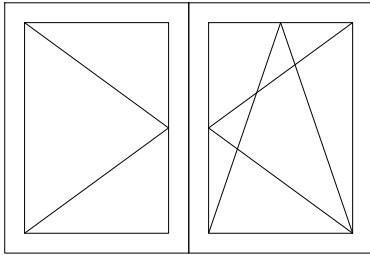
155 35



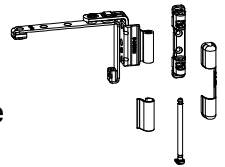
Perimetrical lock for windows
tilt&turn -1 sash



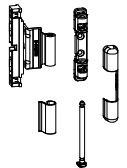
Perimetrical lock for windows frame



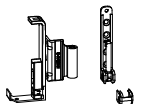
Side hung sash hinge



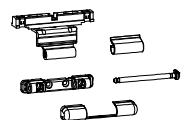
Middle sash hinge



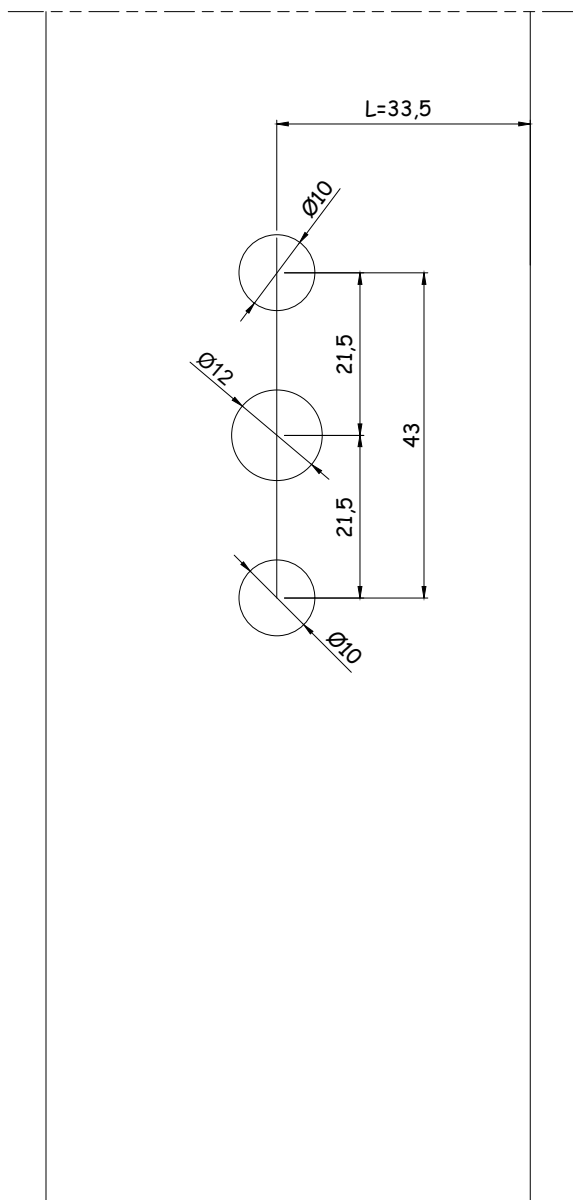
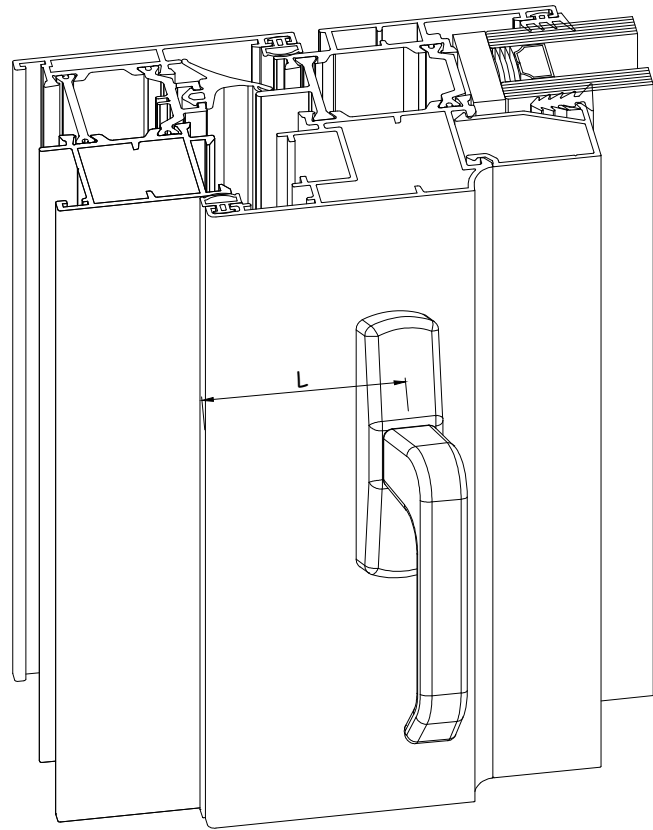
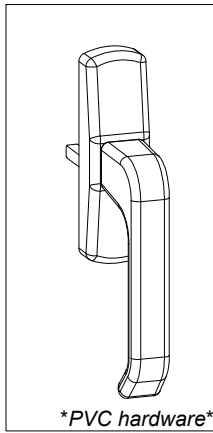
Corner bearing sash hinge



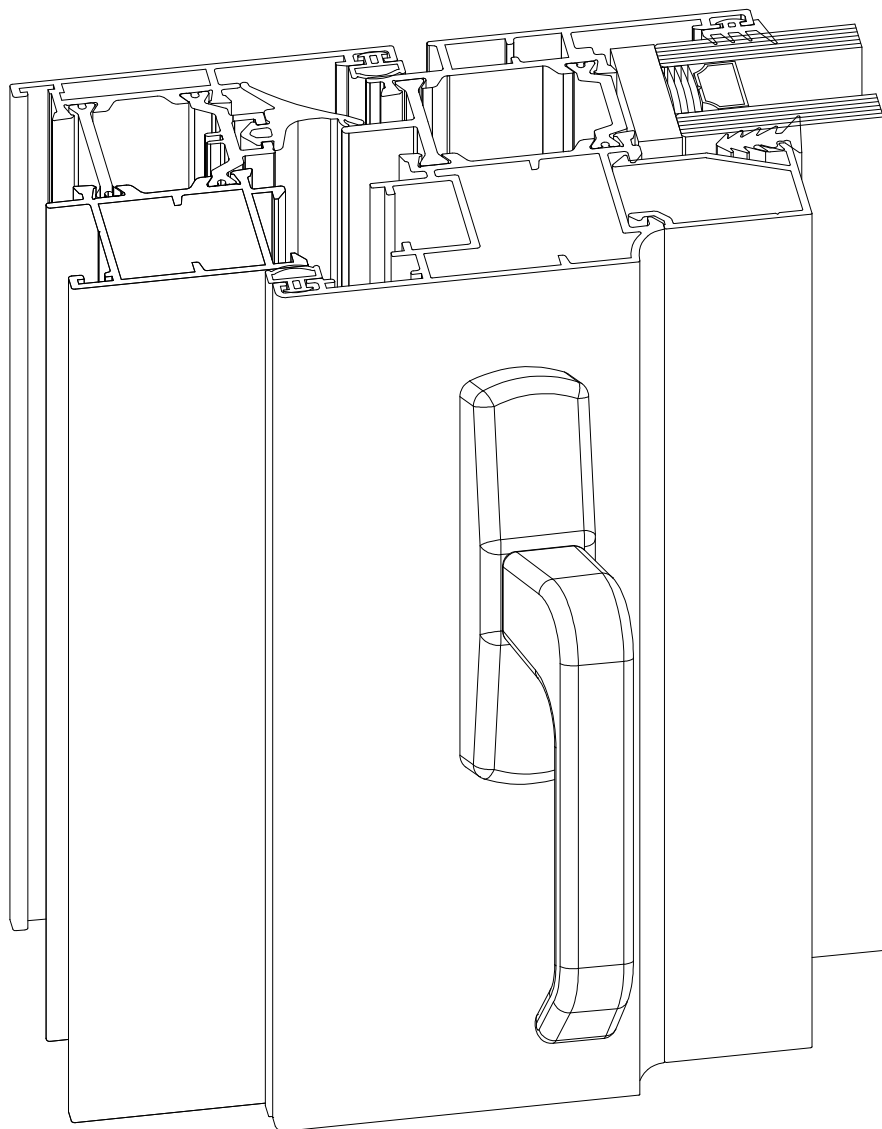
Tilt sash hinge



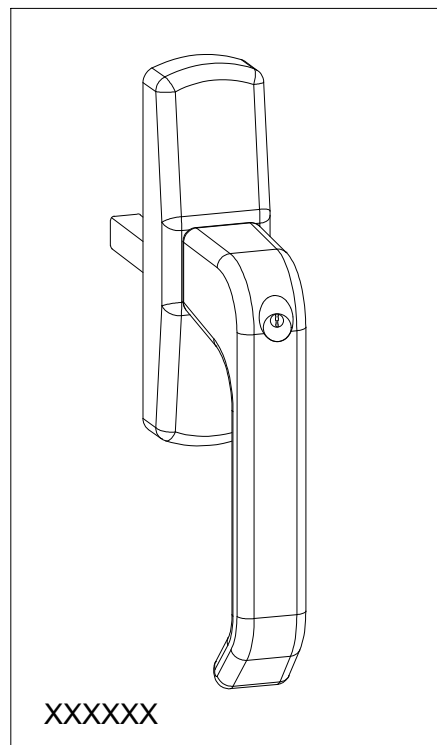
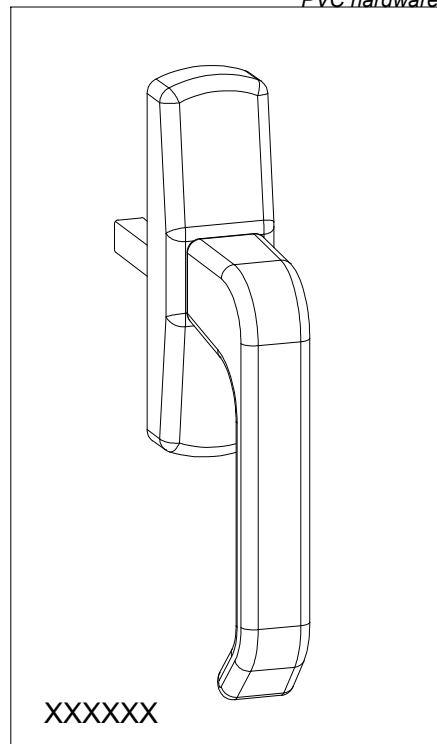
Milling & drilling dimensions for handle



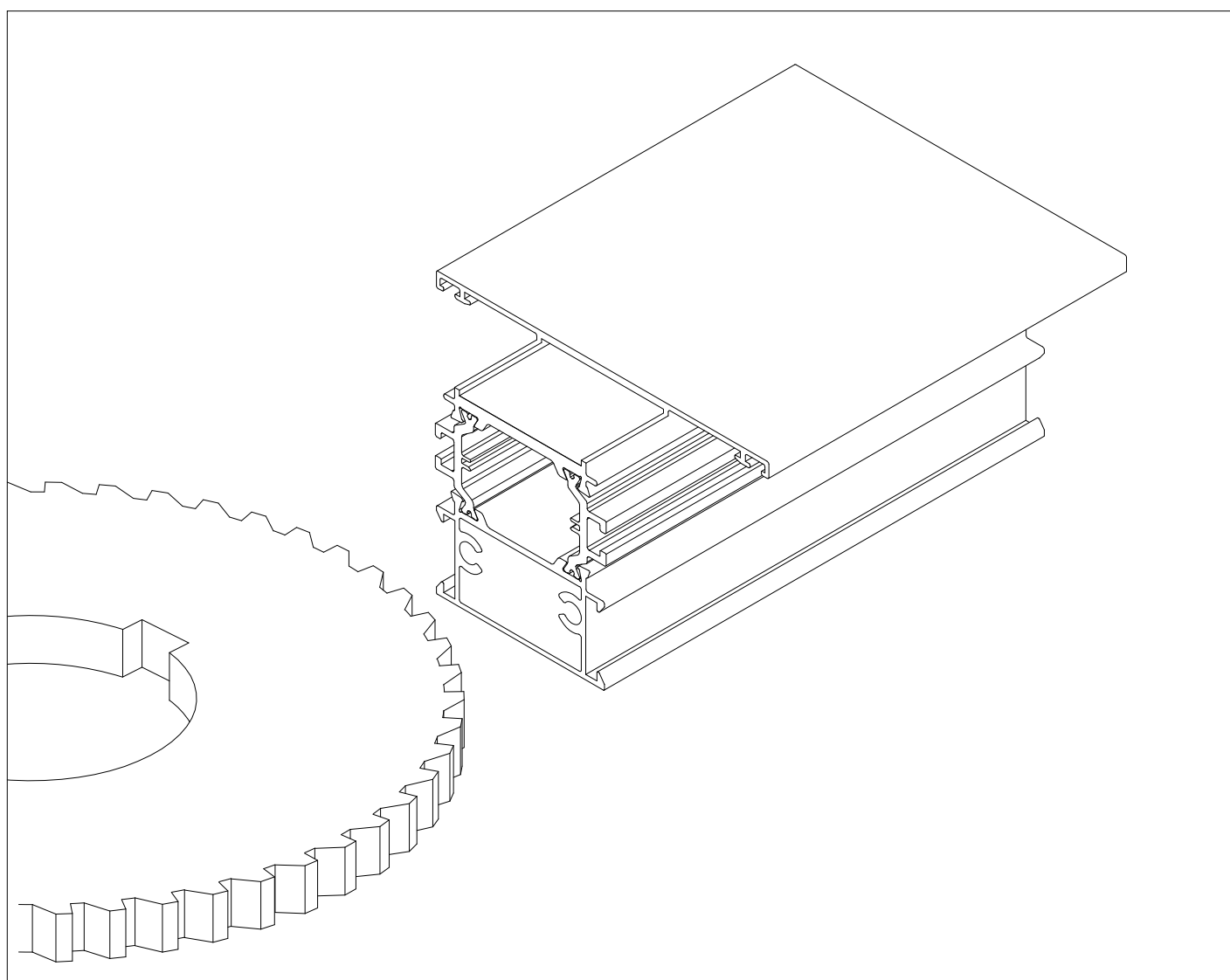
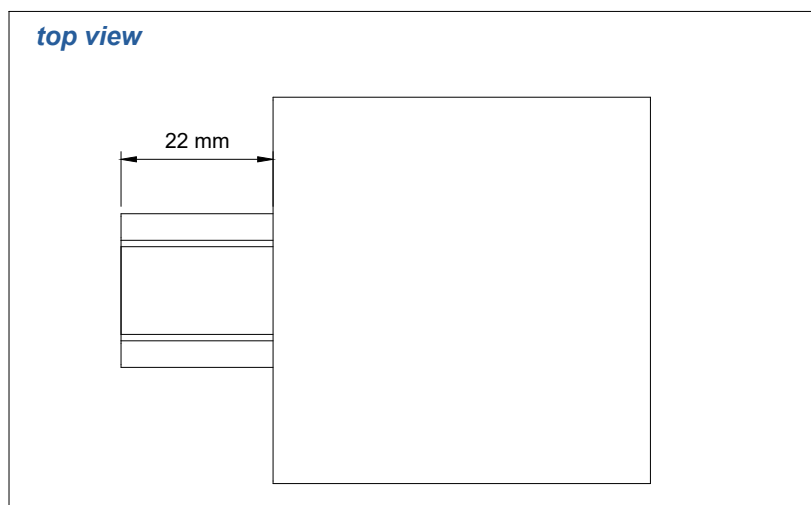
Handles



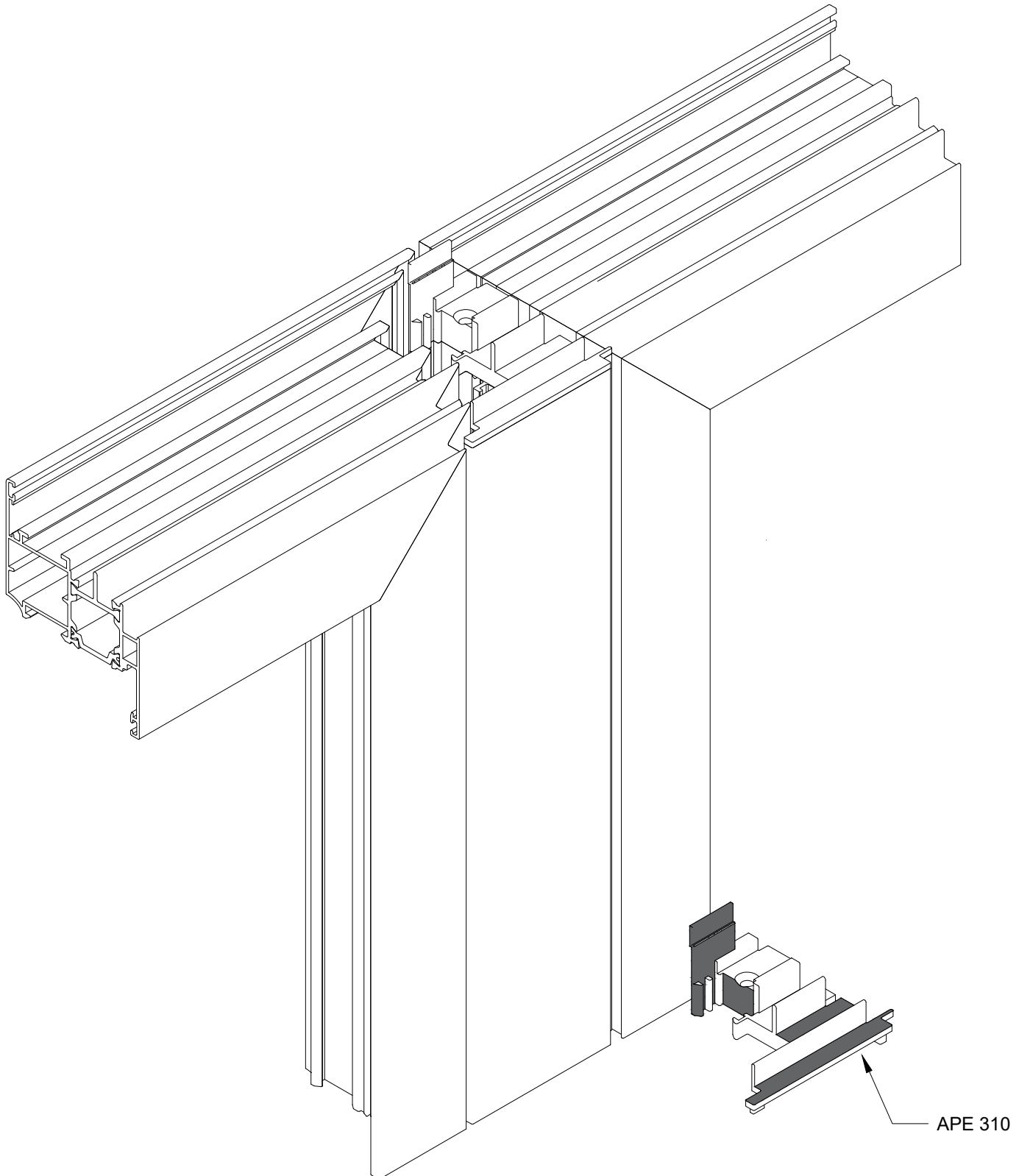
PVC hardware



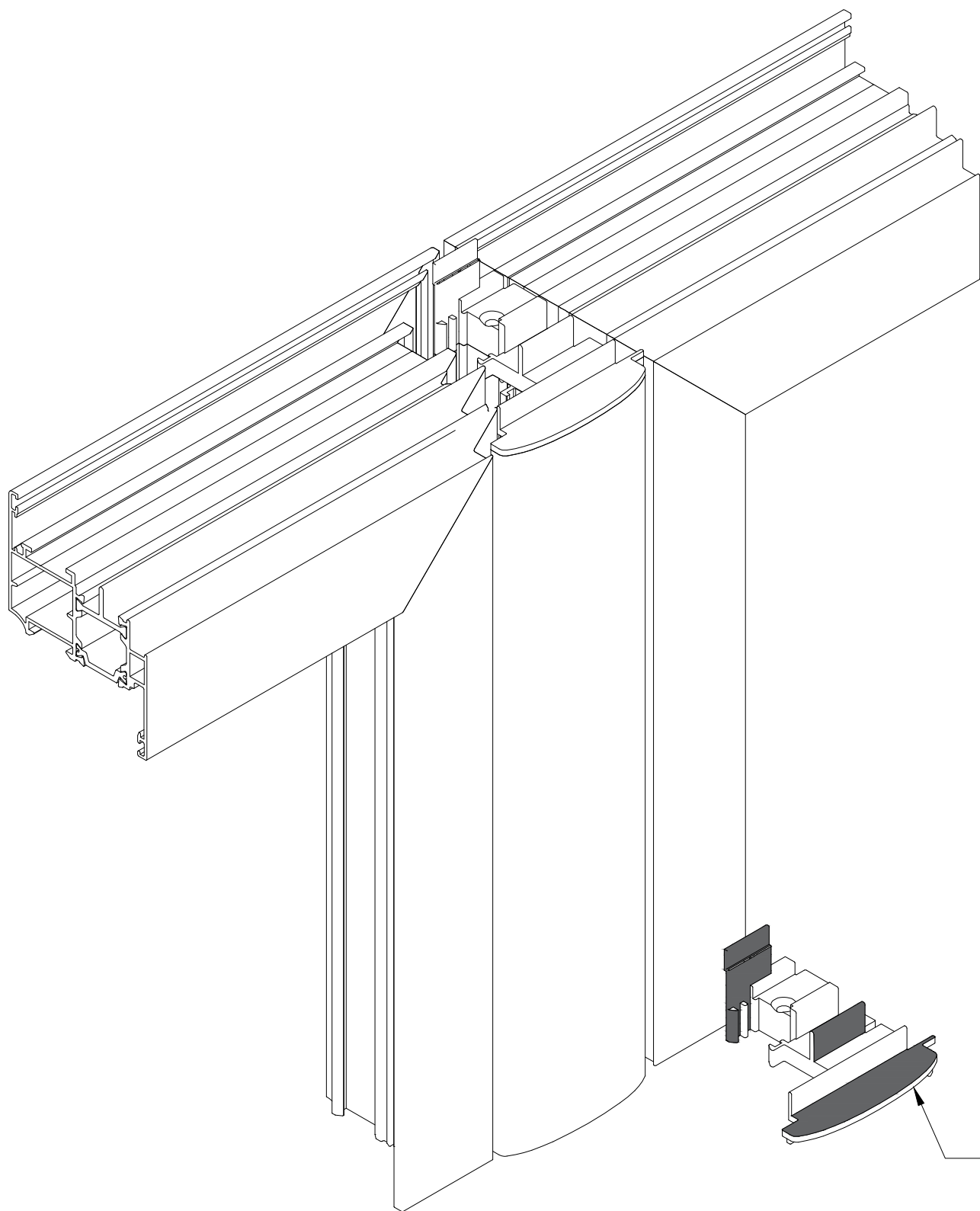
Milling of the mullion



Cap for overhung 530 0305

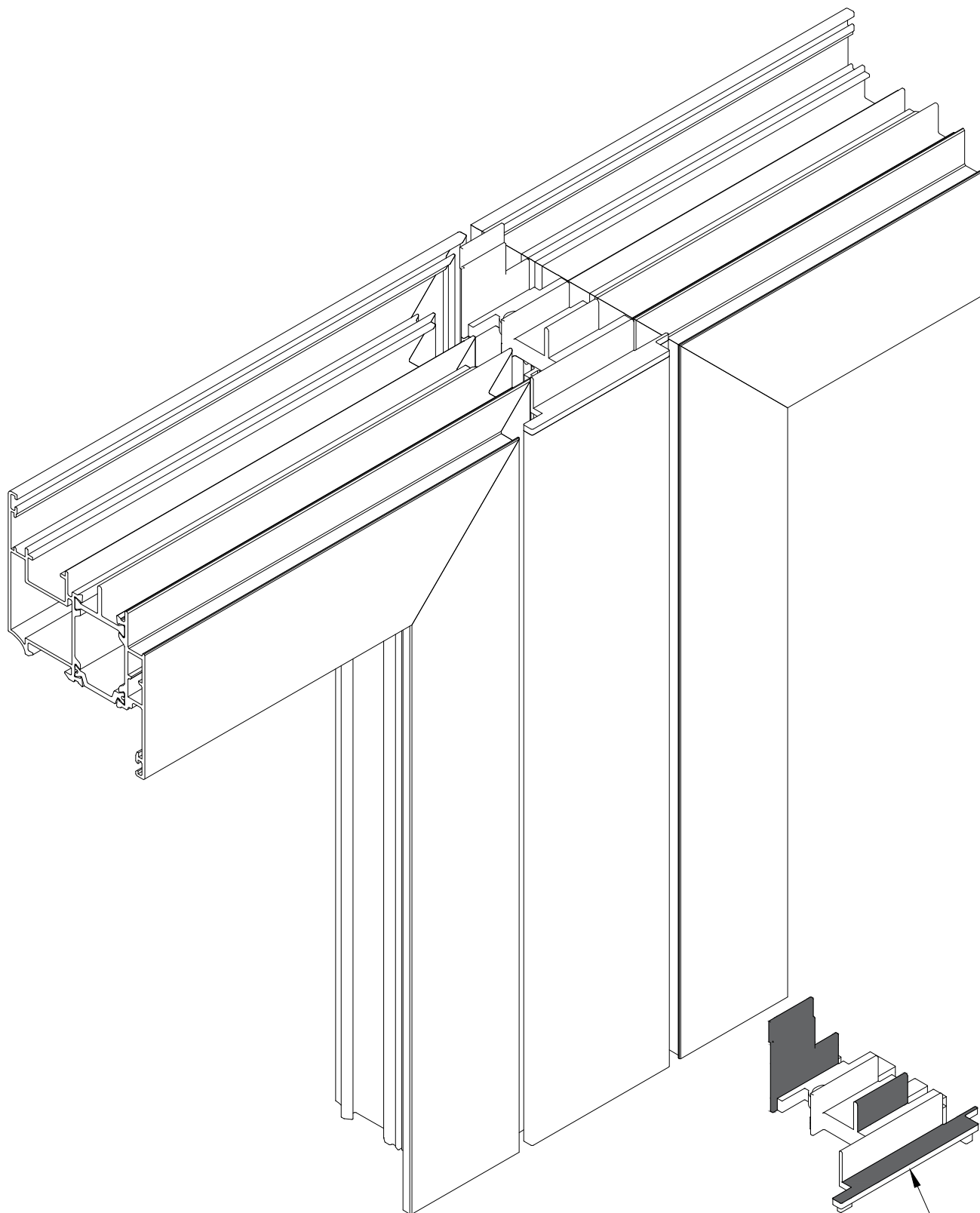


Cap for overhung 530 0310



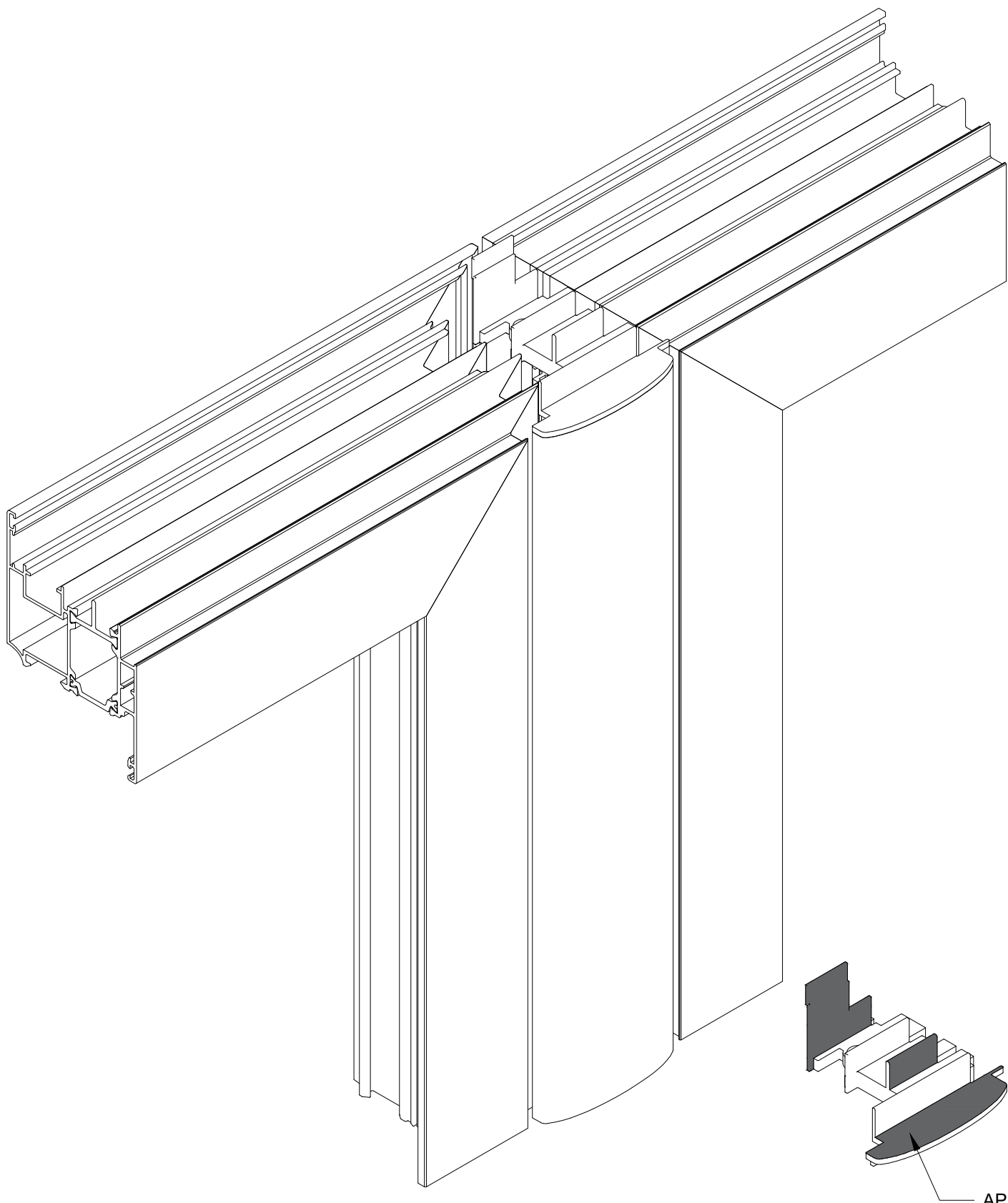
APE 313

Cap for overhung 530 0328



APE 312

Cap for overhung 530 0329



APE 311