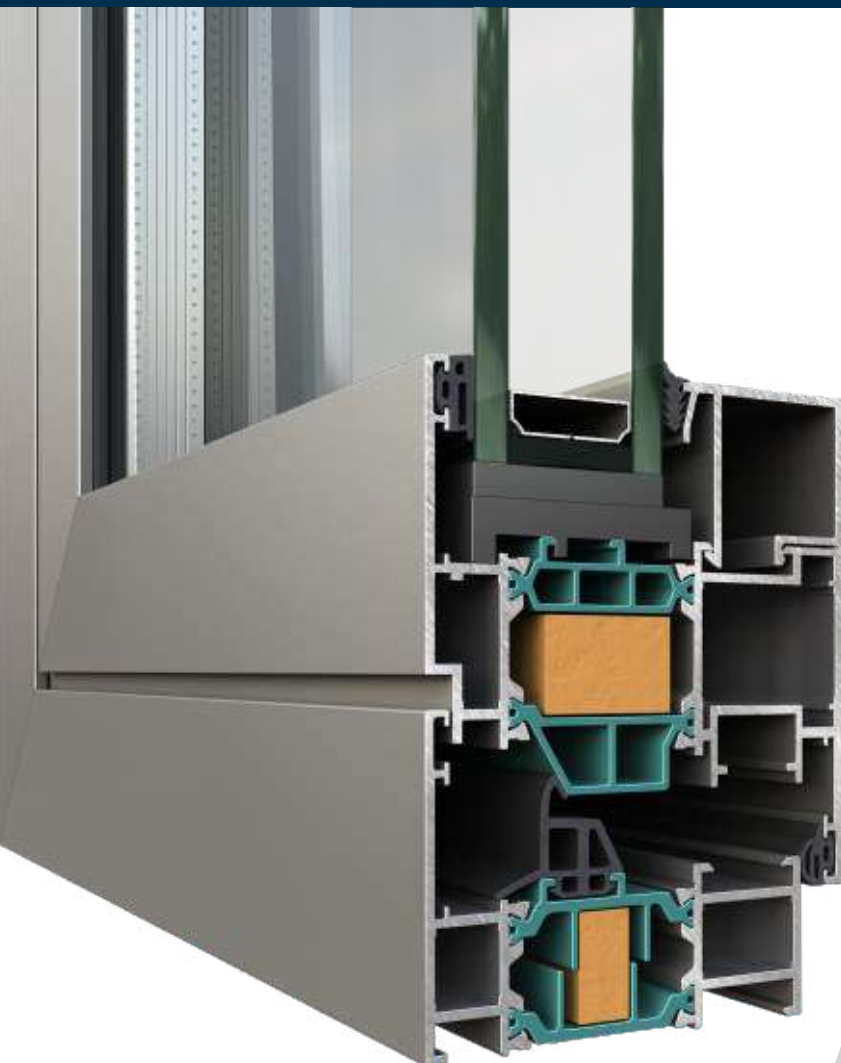


---

# ALTEST

ALUMINIUM PROFILE SYSTEMS



## Series WDS 70



# Series WDS 70

## **ATTENTION!**

**For faultless operation, please read carefully this catalogue!**

**It was elaborated by ALTEST Company. Its copying, reproduction and reprinting without our consent is not welcomed!**

**The profiles presented in the catalogue are patented and ALTEST Company has the exclusive rights.**

**ALTEST Company reserves the right to modify the profiles and the presented sections at its own discretion. The system is equipped with full set of calculations made in accordance with the existing manufacturing requirements, presented in this catalogue.**

**In conclusion – use original ALTEST profiles in compliance with the peculiarities and the technical characteristics presented in this catalogue.**

## CONTENTS

INTRODUCTION	4 - 6
PROFILES OVERVIEW	7 - 12
PROFILES	13 - 28
WINDOWS	
ASPECT SECTIONS	30
WINDOWS SECTIONS	31 - 52
GLAZING OPTIONS	53 - 54
DOORS	
ASPECT SECTIONS	56
DOORS SECTIONS	57 - 72
GLAZING OPTIONS	73
DETAILS	75 - 86
SCHEMES	87 - 94
THREE DIMENSIONS DETAILS	95 - 121

## INTRODUCTION

The window and door system "WDS 70" of company ALTEST is based on a 70mm thermally isolated aluminium frame series designed according to European standards and is designed to receive hardware and accessories commonly used in PVC windows and doors.

It is a thermal break system with 34mm polyamide on the frame profile and 34mm for the sash.

The system consists of wide composition of profiles suitable for many kinds of typologies and architectural solutions.

It is designed to fulfil exterior and interior architectural applications where thermal break is required.

The system "WDS 70" is suitable for different version of opening and fixed systems.

The range of profiles, modern accessories and gaskets of EPDM guarantee high performance, excellent drainage, high thermal resistance, high acoustic performance, and high wind resistance.

The series is suitable also for tilt and turn mechanism with a PVC groove.

Versions of fixed, vertical and horizontal opening windows as well as fixed and opening sections doors are possible.

The system "WDS 70" is based on work with 2 seal gaskets - central and inner seal (the central gasket is specially design for the series).

The dimensions of the profiles are to accept PVC hardware accessories and aluminium press corner connecting joints.

The system can accept accessories from the companies: GU, Siegenia, Roto, and many others.

The range basic profiles (frames) and glass holders, allows the usage of 24mm to 44mm glazing.

Of course variable design elaborations are possible, due to wide variety of frames, sashes and other auxiliary profiles.

This is a modern aluminium system, satisfying the latest architectural trends for doors and windows with very high thermal performances.

These advantages allow the system to be integrated in all kind of weather conditions and different buildings.

The profiles can be painted in all range of RAL colors.

The profiles are produced according to DIN 1725 T1, and is produce with the aluminium alloy AW6063 T6.

The technical and mechanical characteristics of the particular alloy are:

**Elasticity module:** 70 000 Nmm-2

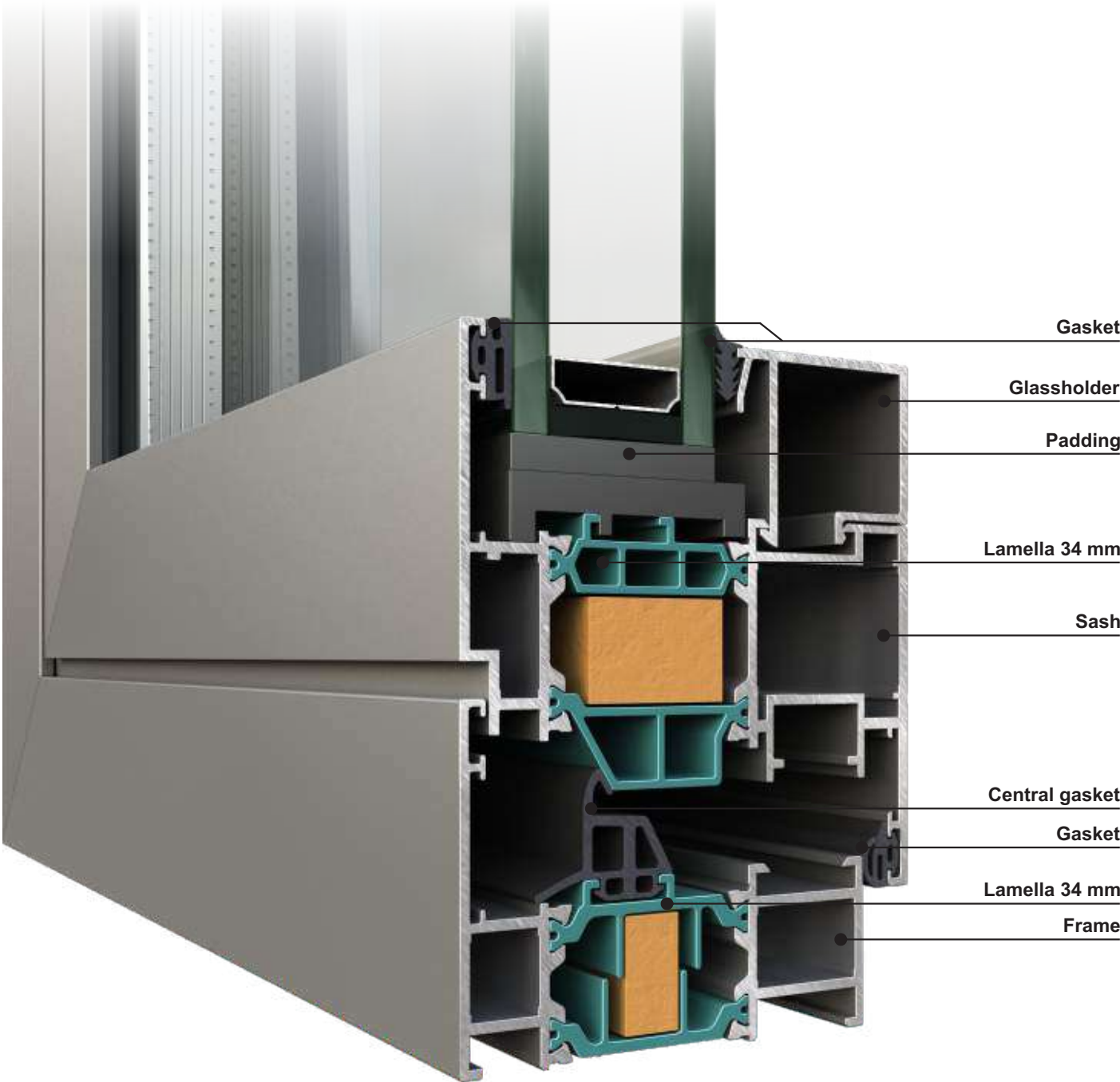
**Coefficient of linear expansion:**  $\alpha = 2.34 \cdot 10^{-6} \text{ K}^{-1}$

**Tensile strength:**  $R_m = 215 \text{ Nmm}^{-2}$

**Relative density:**  $\gamma = 2.7 \text{ gr.cm}^{-3}$

# Series WDS 70

## INTRODUCTION

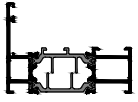
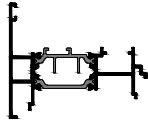
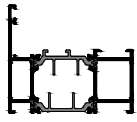
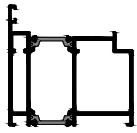
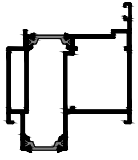
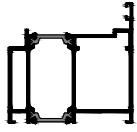
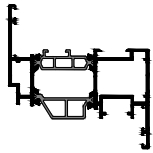
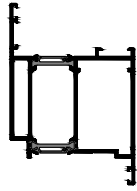
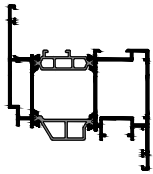
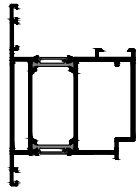




# **PROFILES OVERVIEW**

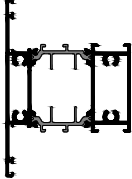

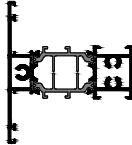
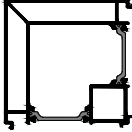
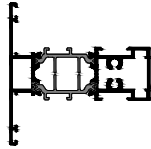
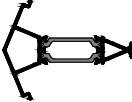
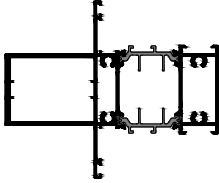
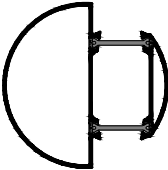
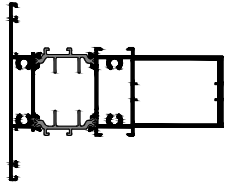

---

## PROFILES OVERVIEW

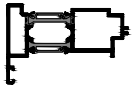
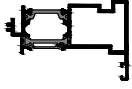



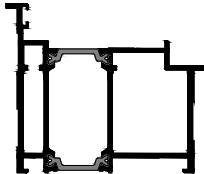
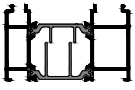
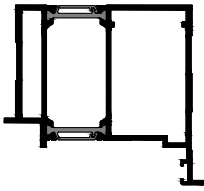


Profile shape	Profile code / description	Weight (gr/m)	Profile shape	Profile code / description	Weight (gr/m)
	05 0100 frame	1245		05 0322 overhung	1277
	05 0101 frame	1419		05 1103 door Z-frame	1857
	05 1102 insertion frame	2090		05 1104 door T-frame	1831
	05 0205 sash	1735		05 1203 door Z-sash	2170
	05 0211 sash	1943		05 1204 door T-sash	2164



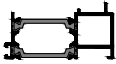
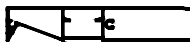







## PROFILES OVERVIEW

Profile shape	Profile code / description	Weight (gr/m)	Profile shape	Profile code / description	Weight (gr/m)
	05 0301 mullion	2077		05 0603	1609
	05 0304 mullion	1685		05 0604	1976
	05 0309 mullion	1713		05 0605	1027
	05 0302 mullion	2928	NEW * 	530 0325	1327
	05 0303 mullion	2927		05 0602	949






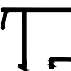

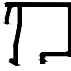


## PROFILES OVERVIEW

Profile shape	Profile code / description	Weight (gr/m)	Profile shape	Profile code / description	Weight (gr/m)
	05 1303	1546		05 1304	1238
	05 1400	693		05 1401	667
	05 1420	972	<b>NEW *</b> 	05 1503	1977
	05 0600	1452	<b>NEW *</b> 	05 1603	2085
	05 0700	755		05 0804	1060

## PROFILES OVERVIEW

Profile shape	Profile code / description	Weight (gr/m)	Profile shape	Profile code / description	Weight (gr/m)
	05 0805	900	<b>NEW *</b> 	05 0850	1647
	05 1410	646	<b>NEW *</b> 	05 0900	135
<b>NEW *</b> 	05 0810	218		05 1411	222
	05 0800	246		05 0802	136
	05 0803	141			

**PROFILES OVERVIEW**

Profile shape	Profile code / description	Weight (gr/m)	Profile shape	Profile code / description	Weight (gr/m)
	<b>05 0400</b> <b>Glass bead</b> (for frame and for mullion to frame)	388			
	<b>05 0401</b> <b>Glass bead</b> (for frame and for mullion to frame)	371			
	<b>05 0402</b> <b>Glass bead</b> (for frame and for mullion to frame)	364			
	<b>05 0403</b> <b>Glass bead</b> (for frame and for mullion to frame)	355			
	<b>05 0404</b> <b>Glass bead</b> (for frame and for mullion to frame)	345			
	<b>05 0500</b> <b>Glass bead</b> (for sash and for mullion to sash)	455			
	<b>05 0501</b> <b>Glass bead</b> (for sash and for mullion to sash)	439			
	<b>05 0502</b> <b>Glass bead</b> (for sash and for mullion to sash)	431			
	<b>05 0503</b> <b>Glass bead</b> (for sash and for mullion to sash)	421			
	<b>05 0504</b> <b>Glass bead</b> (for sash and for mullion to sash)	412			



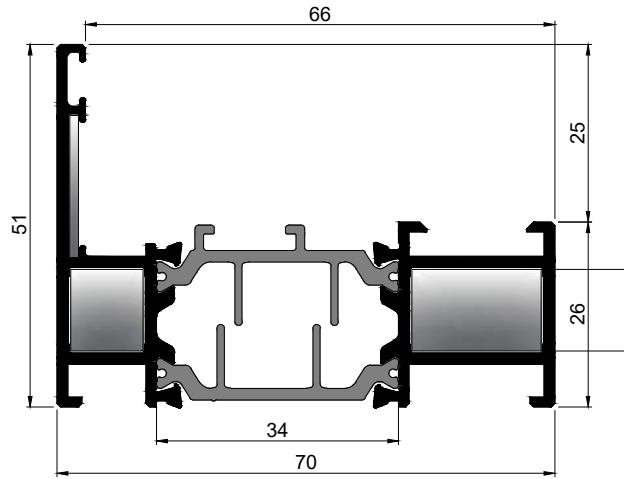
**Series  
WDS 70**


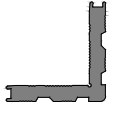



---

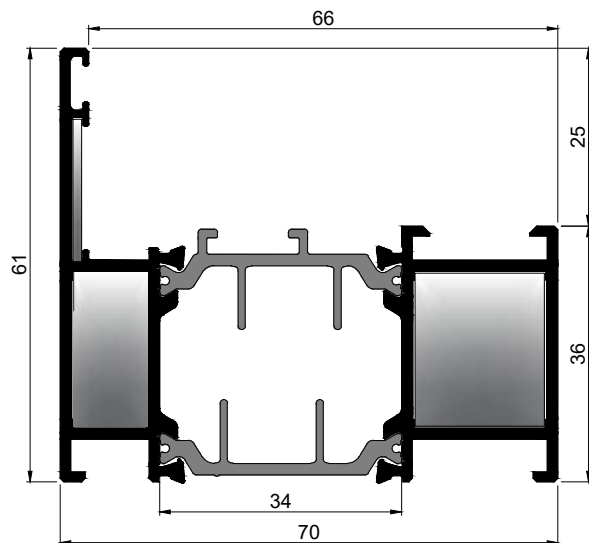
**PROFILES**


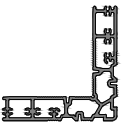



---

## PROFILES



<b>FRAME</b> 05 0100	<b>Weight</b> gr/m	<b>Ix / Iy</b> cm4	<b>Wx / Wy</b> cm3
	1245	5.07 / 25.66	1.45 / 6.60
<b>JOINTS</b>	 APE 720	 WDS05010 WDS05011	
<b>GASKETS</b>	 U2 EPDM gasket for fixing the glass	 US 11.5105 EPDM central gasket for the opening parts	 US 0724 EPDM gasket for the fix parts US 0723 EPDM gasket for the fix parts

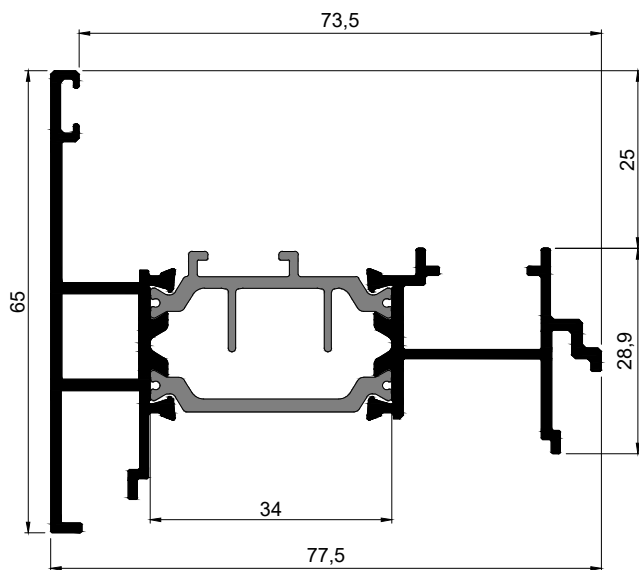



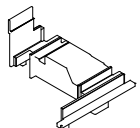
<b>FRAME</b> 05 0101	<b>Weight</b> gr/m	<b>Ix / Iy</b> cm4	<b>Wx / Wy</b> cm3
	1419	9.49 / 30.47	2.38 / 5.787
<b>JOINTS</b>	 APE 720	 WDS05500 WDS05510	
<b>GASKETS</b>	 U2 EPDM gasket for fixing the glass	 US 11.5105 EPDM central gasket for the opening parts	 US 0724 EPDM gasket for the fix parts US 0723 EPDM gasket for the fix parts

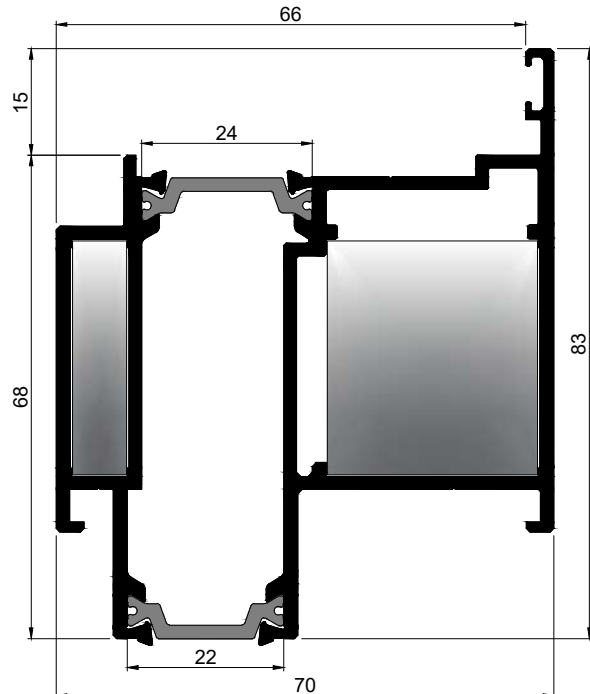
ALL OF THE PROFILE WEIGHTS ARE THEORETICAL.

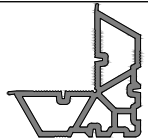

M 1:1

## PROFILES



<b>OVERHUNG 05 0322</b>	<b>Weight gr/m</b>	<b>Ix / Iy cm4</b>	<b>Wx / Wy cm3</b>
	1277	6.55 / 28.81	1.77 / 5.89
<b>GASKETS</b>	 EPDM central gasket for the opening parts <b>US 11.5105</b>		
<b>COVER CAPS</b>	 <b>APE 316</b>		



<b>SASH 05 0205</b>	<b>Weight gr/m</b>	<b>Ix / Iy cm4</b>	<b>Wx / Wy cm3</b>
	2090	31.78 / 43.26	7.22 / 11.88
<b>JOINTS</b>	 <b>WDS05100 WDS05101</b>		
<b>GASKETS</b>	 EPDM gasket for fixing the opening parts <b>US 11.5102</b>		

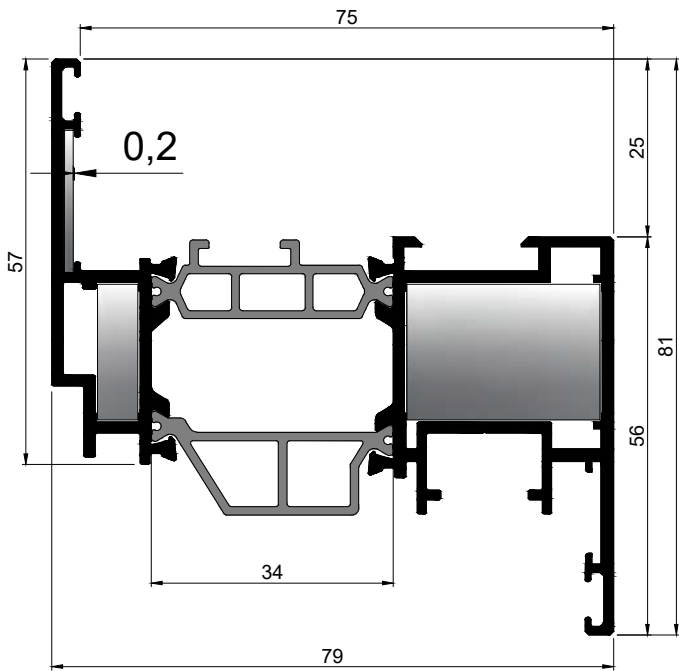
ALL OF THE PROFILE WEIGHTS ARE THEORETICAL.

M 1:1

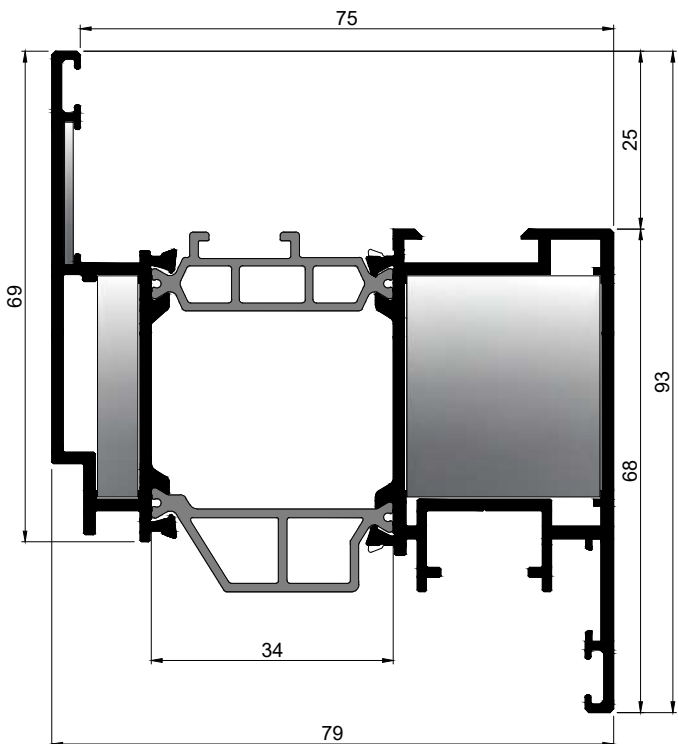


# Series WDS 70

## PROFILES



SASH 05 0205	Weight gr/m	lx / ly cm4	Wx / Wy cm3
	1735	14.15 / 47.07	3.35 / 11.29
JOINTS	APE 720	APE 7	WDS05120 WDS05121
GASKETS	EPDM gasket for fixing the glass U2	EPDM gasket for the fix parts US 0724	EPDM gasket for fixing the opening parts US 11.5102  EPDM gasket for the fix parts US 0723



SASH 05 0211	Weight gr/m	lx / ly cm4	Wx / Wy cm3
	1943	24.99 / 54.45	5.16 / 13.31
JOINTS	APE 720	APE 7	WDS05110 WDS05111
GASKETS	EPDM gasket for fixing the glass U2	EPDM gasket for the fix parts US 0724	EPDM gasket for fixing the opening parts US 11.5102  EPDM gasket for the fix parts US 0723

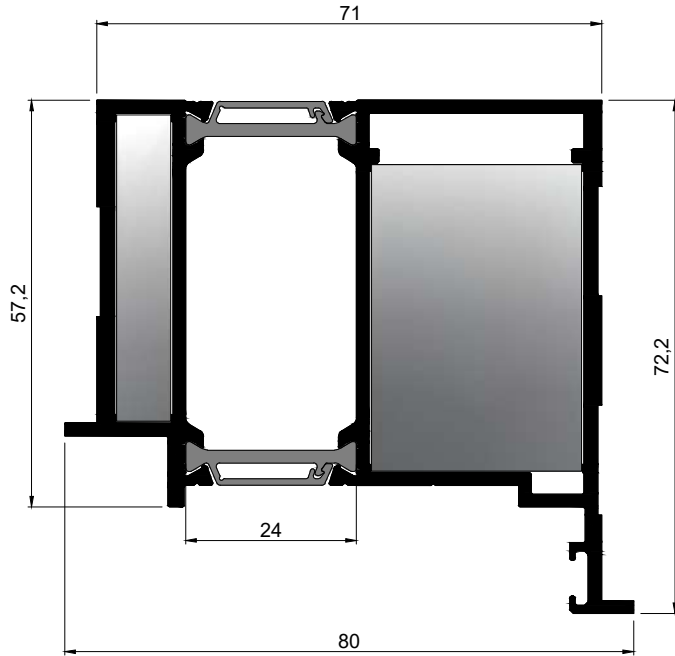
ALL OF THE PROFILE WEIGHTS ARE THEORETICAL.

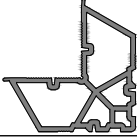

M 1:1

# Series WDS 70

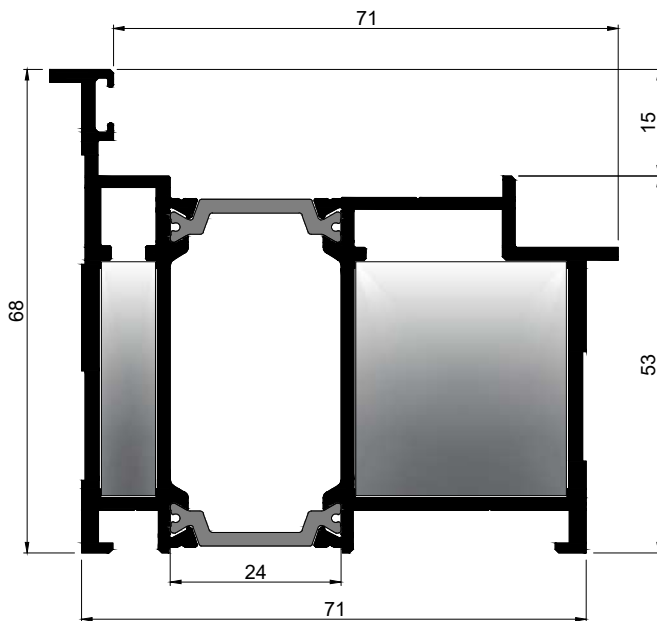
## PROFILES

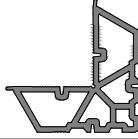

**NEW \***



<b>SASH 05 1603</b>	<b>Weight gr/m</b>	<b>Ix / Iy cm4</b>	<b>Wx / Wy cm3</b>
	2085	40.11 / 50.63	6.51 / 12.05
<b>JOINTS</b>			<b>WDS05800 WDS05810</b>
<b>GASKETS</b>	 EPDM gasket for fixing the opening parts <b>US 11.5102</b>		

**NEW \***



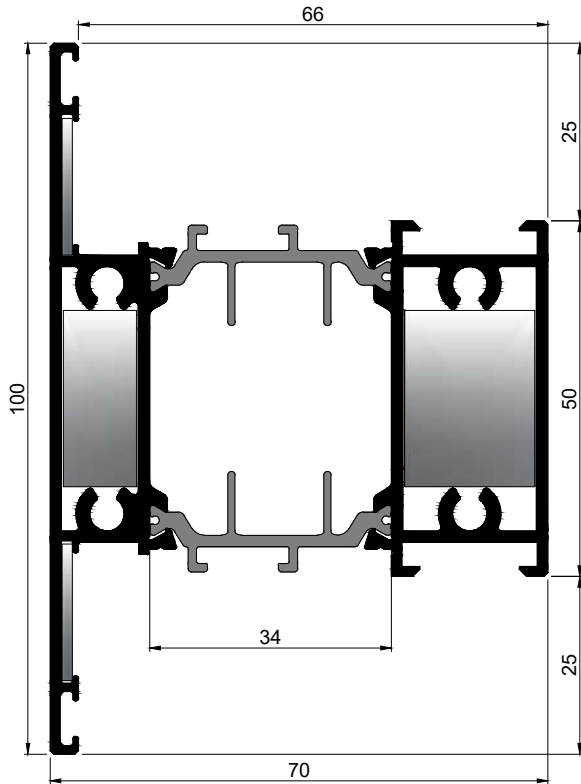
<b>FRAME 05 1503</b>	<b>Weight gr/m</b>	<b>Ix / Iy cm4</b>	<b>Wx / Wy cm3</b>
	1977	23.84 / 41.62	5.90 / 13.03
<b>JOINTS</b>			<b>WDS05100 WDS05101</b>
<b>GASKETS</b>	 EPDM gasket for fixing the opening parts <b>US 11.5102</b>		

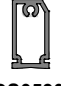







ALL OF THE PROFILE WEIGHTS ARE THEORETICAL.

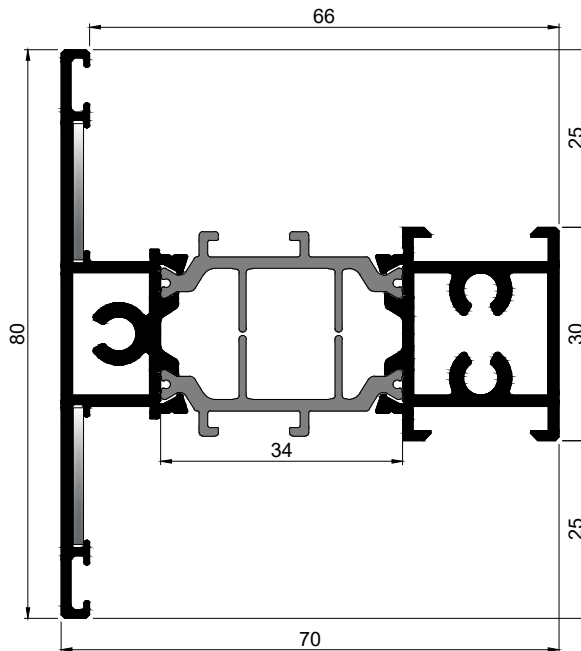
M 1:1




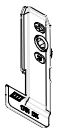


# Series WDS 70

## PROFILES



MULLION 05 0301	Weight gr/m	lx / ly cm4	Wx / Wy cm3
	2077	29.59 / 47.99	5.92 / 12
JOINTS	 WDS05300	 WDS05410	 VM 12212
	 APE1701DX	 APE1701SX	
GASKETS	 US 0723 EPDM gasket for the fix parts	 US 0724 EPDM gasket for the fix parts	 US 11.5105 EPDM central gasket for the opening parts
	EPDM gasket for the fix parts		



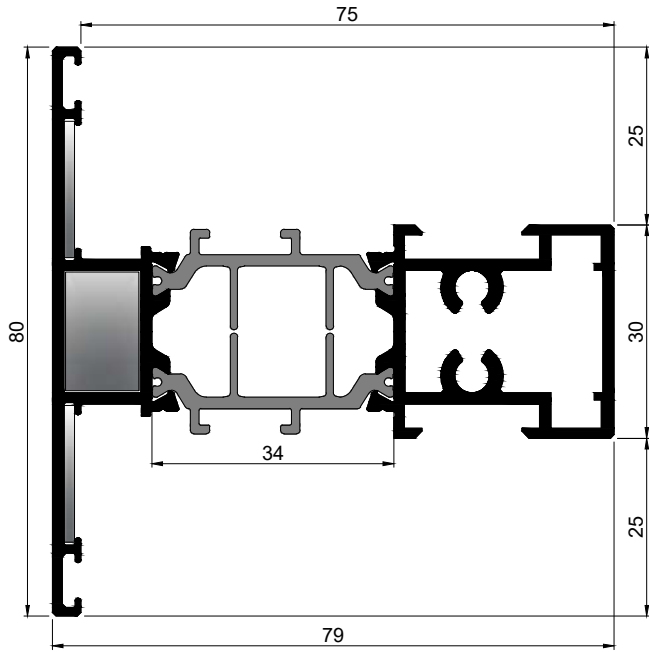
MULLION 05 0304	Weight gr/m	lx / ly cm4	Wx / Wy cm3
	1685	11.17 / 37.35	2.79 / 9.34
GASKETS	 US 0723 EPDM gasket for the fix parts	 US 0724 EPDM gasket for the fix parts	 US 11.5105 EPDM central gasket for the opening parts
	EPDM gasket for the fix parts		
JOINTS	 APE1701DX	 APE1701SX	
	 VM 12212		








ALL OF THE PROFILE WEIGHTS ARE THEORETICAL.

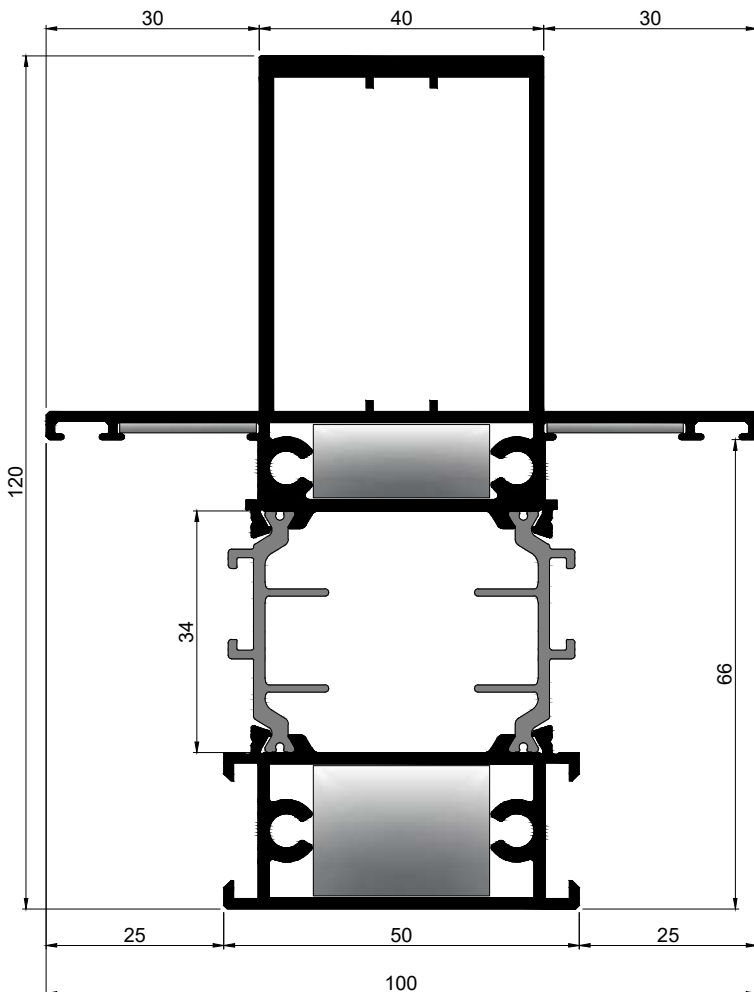
M 1:1



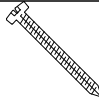





# Series WDS 70

## PROFILES



MULLION 05 0309	Weight gr/m	Ix / Iy cm4	Wx / Wy cm3
	1575	11.93 / 45.85	2.98 / 10.61
JOINTS	 <b>WDS05400</b>		 <b>VM 12212</b>
	 <b>APE1701DX</b>		 <b>APE1701SX</b>
GASKETS	 <b>US 0723</b> EPDM gasket for the fix parts		 <b>US 0724</b> EPDM gasket for the fix parts
			 <b>US 11.5105</b> EPDM central gasket for the opening parts



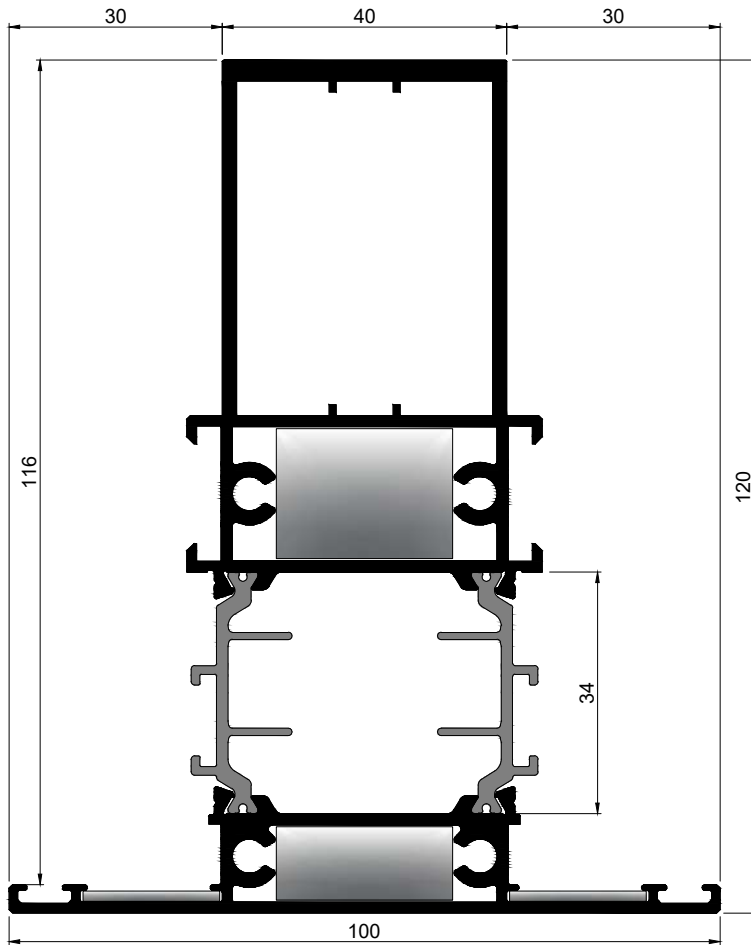
MULLION 05 0302	Weight gr/m	Ix / Iy cm4	Wx / Wy cm3
	2928	40.27 / 207.81	8.05 / 27.56
JOINTS	 <b>WDS05310</b>		 <b>WDS05400</b>
	 <b>VM 12212</b>		
GASKETS	 <b>APE1701DX</b>		 <b>APE1701SX</b>
	 <b>US 0723</b> EPDM gasket for the fix parts		 <b>US 0724</b> EPDM gasket for the fix parts
		 <b>US 11.5105</b> EPDM central gasket for the opening parts	




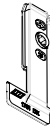

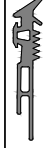


ALL OF THE PROFILE WEIGHTS ARE THEORETICAL.

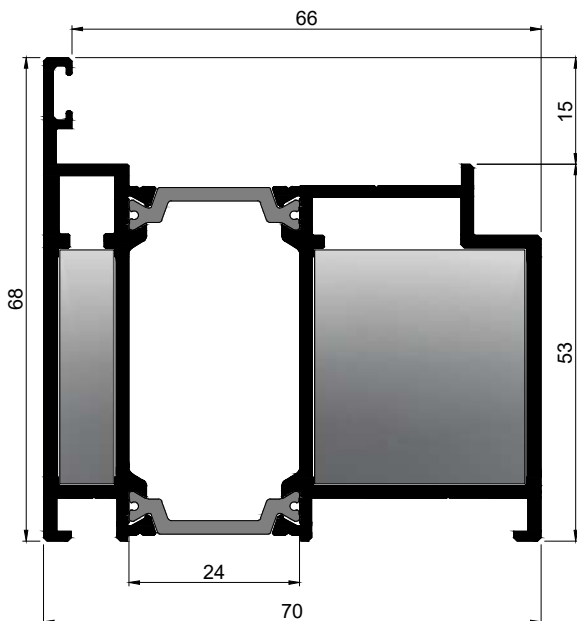
M 1:1

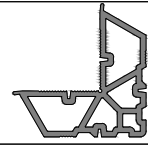

# Series WDS 70

## PROFILES



MULLION 05 0303	Weight gr/m	Ix / Iy cm4	Wx / Wy cm3
	2927	40.27 / 260.21	8.05 / 36.29
JOINTS	 WDS05310	 WDS05400	 VM 12212
	 APE1701DX	 APE1701SX	
GASKETS	 US 0723 EPDM gasket for the fix parts	 US 0724	EPDM gasket for the fix parts   US 11.5105 EPDM central gasket for the opening parts



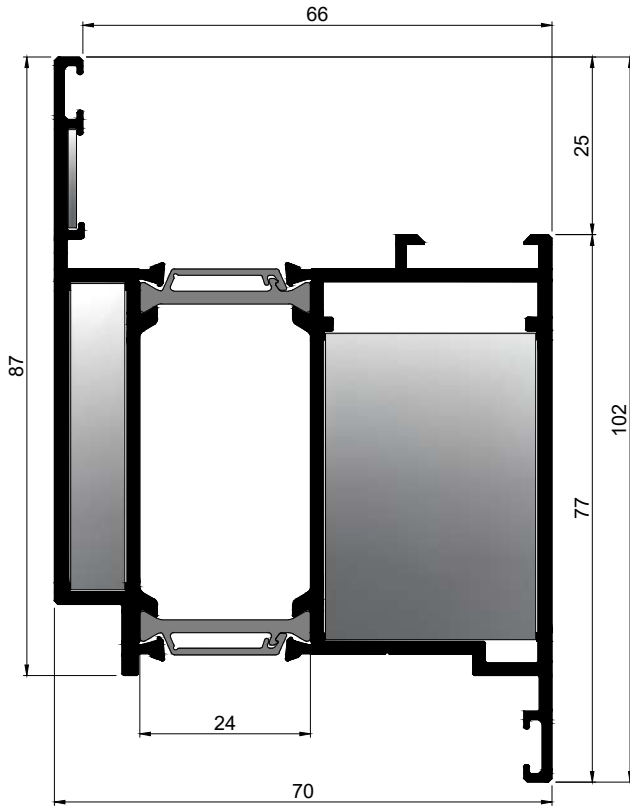
FRAME 05 1103	Weight gr/m	Ix / Iy cm4	Wx / Wy cm3
	1857	21.61 / 39.79	5.40 / 9.92
JOINTS	 WDS05100 WDS05101		
GASKETS	 US 11.5102 EPDM gasket for fixing the opening parts		


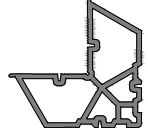



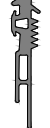
ALL OF THE PROFILE WEIGHTS ARE THEORETICAL.

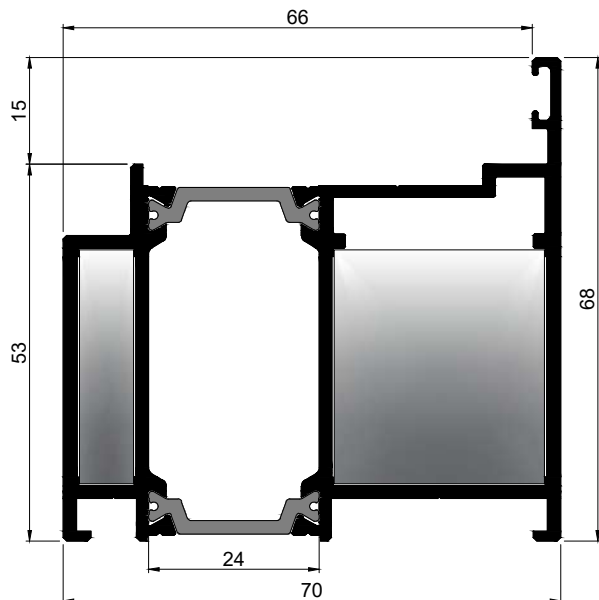
M 1:1

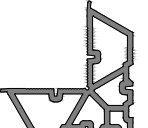

# Series WDS 70

## PROFILES



<b>SASH</b> 05 1203	<b>Weight</b> gr/m	<b>Ix / Iy</b> cm4	<b>Wx / Wy</b> cm3
	2170	41.60 / 51.17	7.66 / 13.79
<b>JOINTS</b>	 APE 7		<b>WDS05800</b> <b>WDS05810</b>
<b>GASKETS</b>	 U2 EPDM gasket for fixing the glass	 US 11.5102 EPDM gasket for fixing the opening parts	
	 US 0724 EPDM gasket for the fix parts	 US 0723 EPDM gasket for the fix parts	



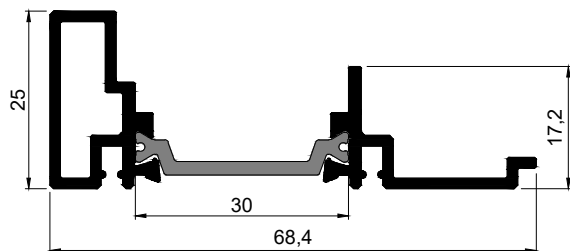
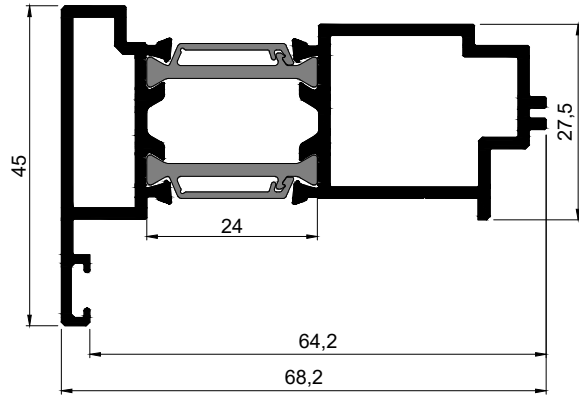
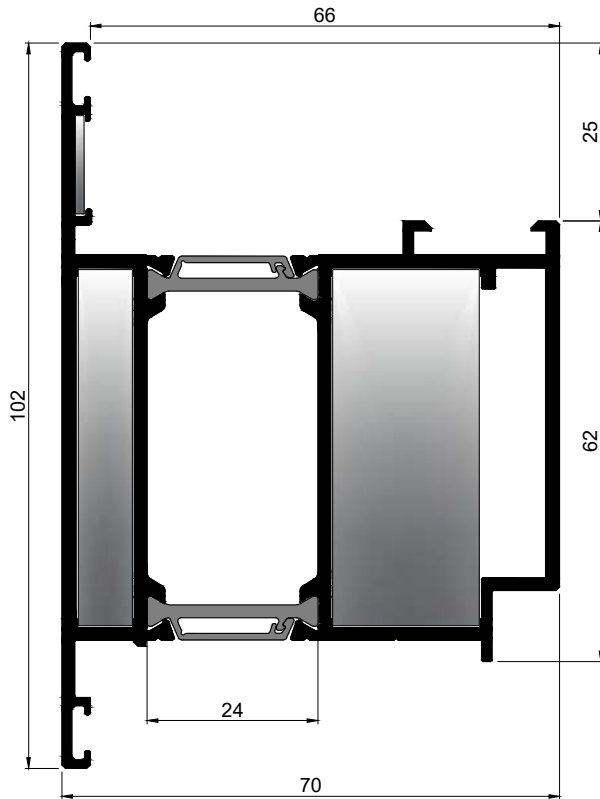
<b>FRAME</b> 05 1104	<b>Weight</b> gr/m	<b>Ix / Iy</b> cm4	<b>Wx / Wy</b> cm3
	1831	21.36 / 40.86	5.31 / 11.54
<b>JOINTS</b>			<b>WDS05100</b> <b>WDS05101</b>
<b>GASKETS</b>	 US 11.5102 EPDM gasket for fixing the opening parts		


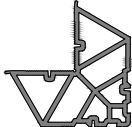




ALL OF THE PROFILE WEIGHTS ARE THEORETICAL.


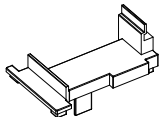
M 1:1

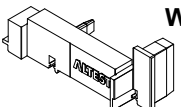

# Series WDS 70

## PROFILES



<b>SASH 05 1204</b>	<b>Weight gr/m</b>	<b>Ix / Iy cm4</b>	<b>Wx / Wy cm3</b>
	2164	41.11 / 48.62	7.61 / 11.83
<b>JOINTS</b>	 APE 7		<b>WDS05900 WDS05910</b>
<b>GASKETS</b>	 U2 EPDM gasket for fixing the glass	 US 11.5102 EPDM gasket for fixing the opening parts	
	 US 0724 EPDM gasket for the fix parts	 US 0723 EPDM gasket for the fix parts	

<b>OVERHUNG 05 1303</b>	<b>Weight gr/m</b>	<b>Ix / Iy cm4</b>	<b>Wx / Wy cm3</b>
	1546	4.58 / 20.78	1.64 / 5.29
<b>GASKETS</b>	 US 11.5102 EPDM gasket for fixing the opening parts		
<b>COVER CAPS</b>		APE 317	

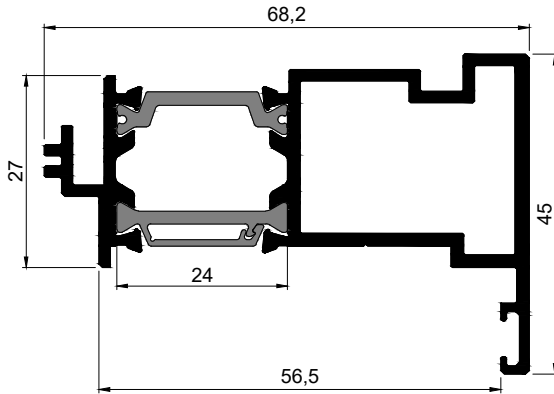
<b>BRUSH SEAL 05 1400</b>	<b>Weight gr/m</b>	<b>Ix / Iy cm4</b>	<b>Wx / Wy cm3</b>
	693	1.20 / 10.87	0.71 / 2.49
<b>COVER CAPS</b>		WDS 1400	<b>BRUSHES</b> TZ WDS 


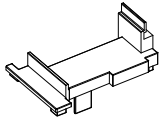
ALL OF THE PROFILE WEIGHTS ARE THEORETICAL.

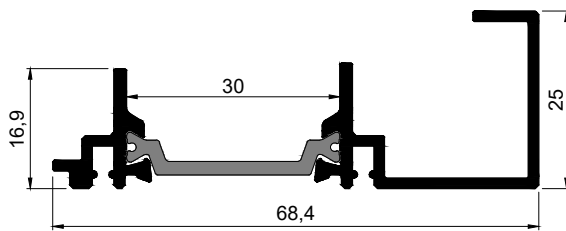
M 1:1

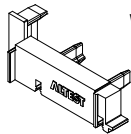
# Series WDS 70

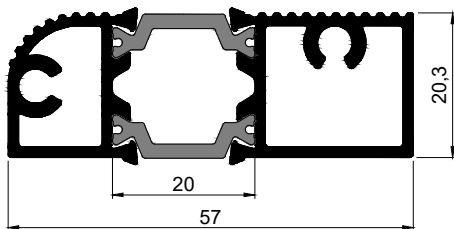
## PROFILES



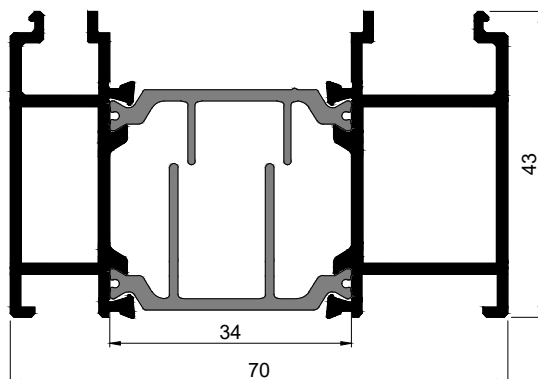
<b>OVERHUNG 05 1304</b>	<b>Weight gr/m</b>	<b>Ix / Iy cm4</b>	<b>Wx / Wy cm3</b>
	1238	4.64 / 20.90	1.68 / 5.24
<b>COVER CAPS</b>	 EPDM gasket for fixing the opening parts US 11.5102		
<b>COVER CAPS</b>	 APE 318		



<b>BRUSH SEAL 05 1401</b>	<b>Weight gr/m</b>	<b>Ix / Iy cm4</b>	<b>Wx / Wy cm3</b>
	667	1.04 / 11.75	0.60 / 3.08
<b>COVER CAPS</b>	 WDS 1401 BRUSHES TZ WDS		



<b>**** 05 1420</b>	<b>Weight gr/m</b>	<b>Ix / Iy cm4</b>	<b>Wx / Wy cm3</b>
	972	1.59 / 11.11	1.42 / 3.83



<b>**** 05 0600</b>	<b>Weight gr/m</b>	<b>Ix / Iy cm4</b>	<b>Wx / Wy cm3</b>
	1452	7.27 / 29.50	3.22 / 8.26

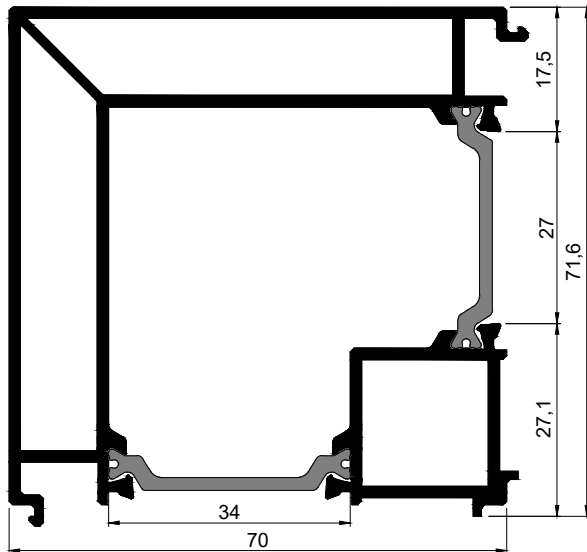
ALL OF THE PROFILE WEIGHTS ARE THEORETICAL.

M 1:1

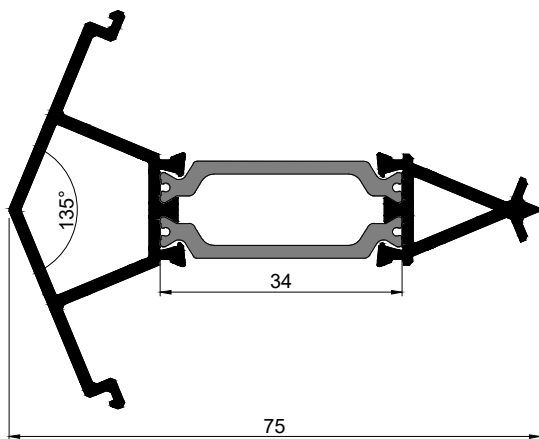


# Series WDS 70

## PROFILES

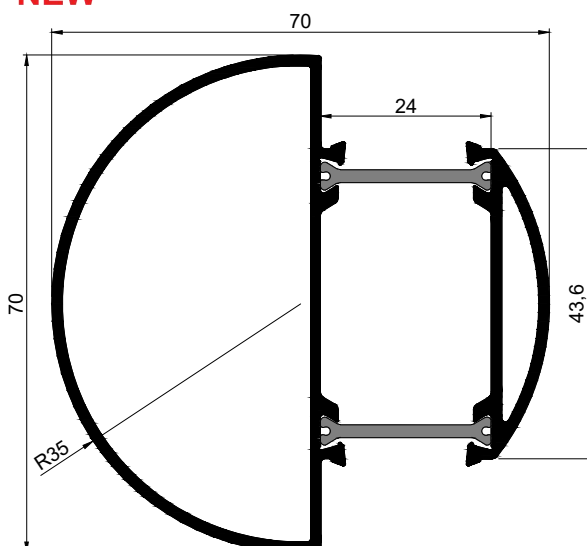


***** 05 0604	Weight gr/m	I <sub>x</sub> / I <sub>y</sub> cm <sup>4</sup>	W <sub>x</sub> / W <sub>y</sub> cm <sup>3</sup>
	1976	43.03 / 43.03	10.73 / 10.73



***** 05 0605	Weight gr/m	I <sub>x</sub> / I <sub>y</sub> cm <sup>4</sup>	W <sub>x</sub> / W <sub>y</sub> cm <sup>3</sup>
	1027	4.05 / 18.15	1.45 / 4.02

**NEW \***

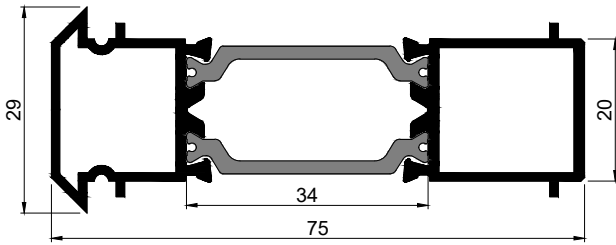


530 0325 Pipe	Weight (gr/m)	I <sub>x</sub> / I <sub>y</sub> (cm <sup>4</sup> )	W <sub>x</sub> / W <sub>y</sub> (cm <sup>3</sup> )
	1327	18,14 / 22,37	5,18 / 5,89

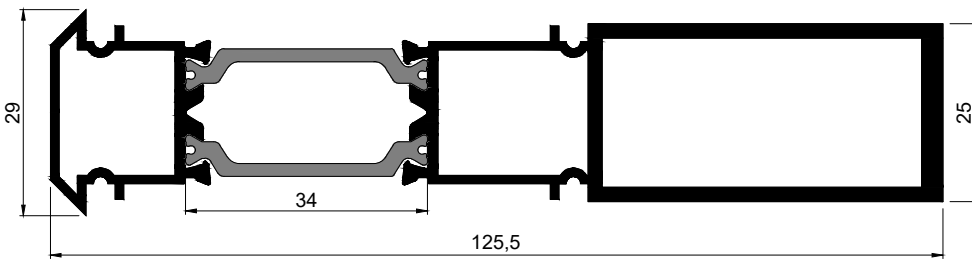
ALL OF THE PROFILE WEIGHTS ARE THEORETICAL.

M 1:1

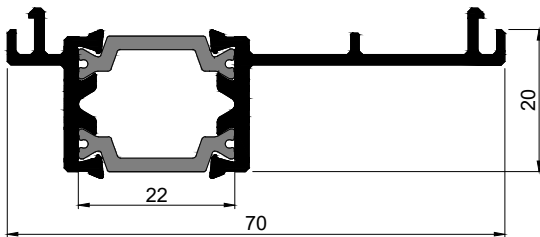
## PROFILES



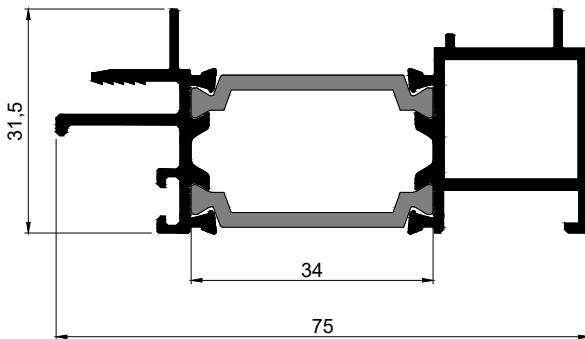
**** 05 0602	Weight gr/m	Ix / Iy cm4	Wx / Wy cm3
	949	1.78 / 19.53	1.23 / 5.06



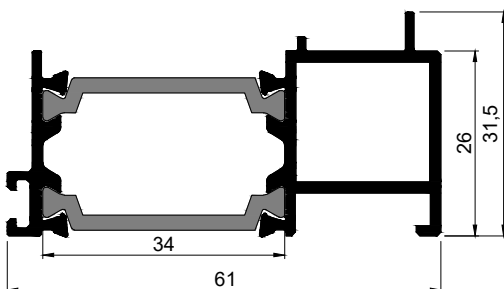
**** 05 0603	Weight gr/m	Ix / Iy cm4	Wx / Wy cm3
	1609		
		4.77 / 93.05	3.29 / 13.25



**** 05 0700	Weight gr/m	Ix / Iy cm4	Wx / Wy cm3
	755	0.87 / 9.71	0.64 / 2.4



**** 05 0804	Weight gr/m	Ix / Iy cm4	Wx / Wy cm3
	1060	2.33 / 19.04	1.37 / 4.52



**** 05 0805	Weight gr/m	Ix / Iy cm4	Wx / Wy cm3
	900	2.05 / 12.11	1.13 / 3.49

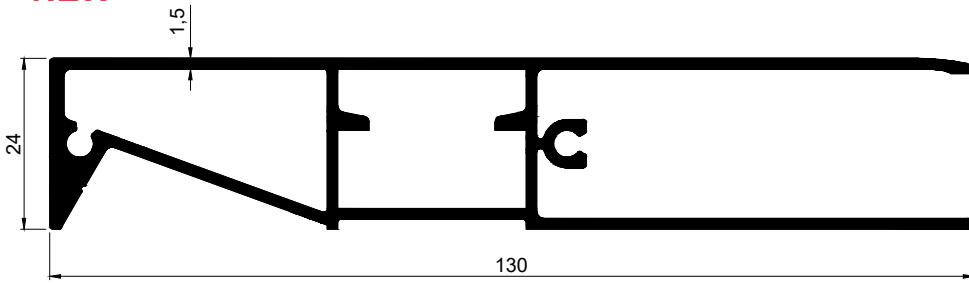
ALL OF THE PROFILE WEIGHTS ARE THEORETICAL.



M 1:1

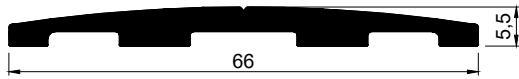
# Series WDS 70

## PROFILES

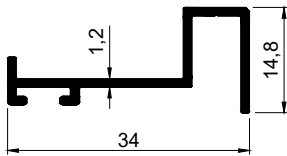
**NEW \***




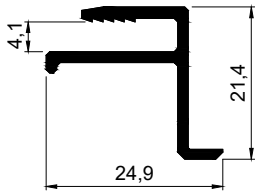
***** <b>05 0850</b>	<b>Weight gr/m</b> 1647
<b>JOINTS</b>	ST 4.2x50mm 
APE 4 or LS070400 	



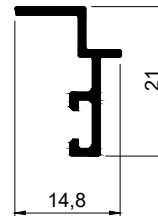
***** <b>05 1410</b>	<b>Weight gr/m</b> 646
-------------------------	-------------------------------



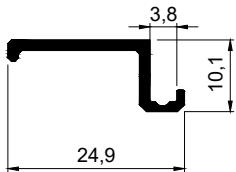
***** <b>05 1411</b>	<b>Weight gr/m</b> 222	<b>BRUSHES</b>  TZ6; TZ12; TZ18
-------------------------	-------------------------------	--



***** <b>05 0800</b>	<b>Weight gr/m</b> 246
-------------------------	-------------------------------

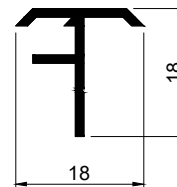


***** <b>05 0802</b>	<b>Weight gr/m</b> 136
-------------------------	-------------------------------



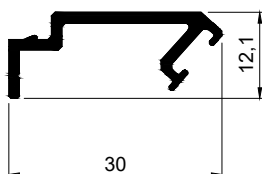
***** <b>05 0803</b>	<b>Weight gr/m</b> 141
-------------------------	-------------------------------

**NEW \***



***** <b>05 0900</b>	<b>Weight gr/m</b> 135
-------------------------	-------------------------------

**NEW \***

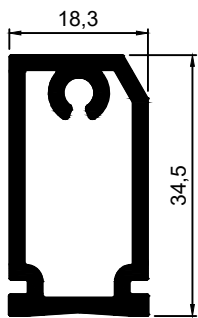
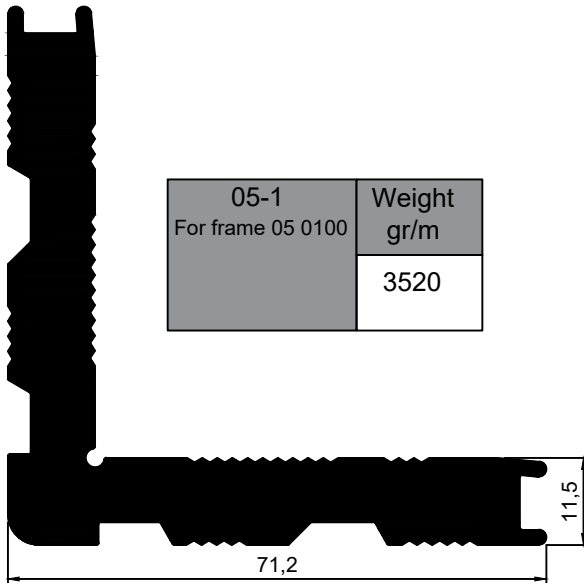


***** <b>05 0810</b>	<b>Weight gr/m</b> 218
-------------------------	-------------------------------

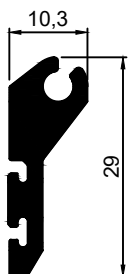
ALL OF THE PROFILE WEIGHTS ARE THEORETICAL.

M 1:1

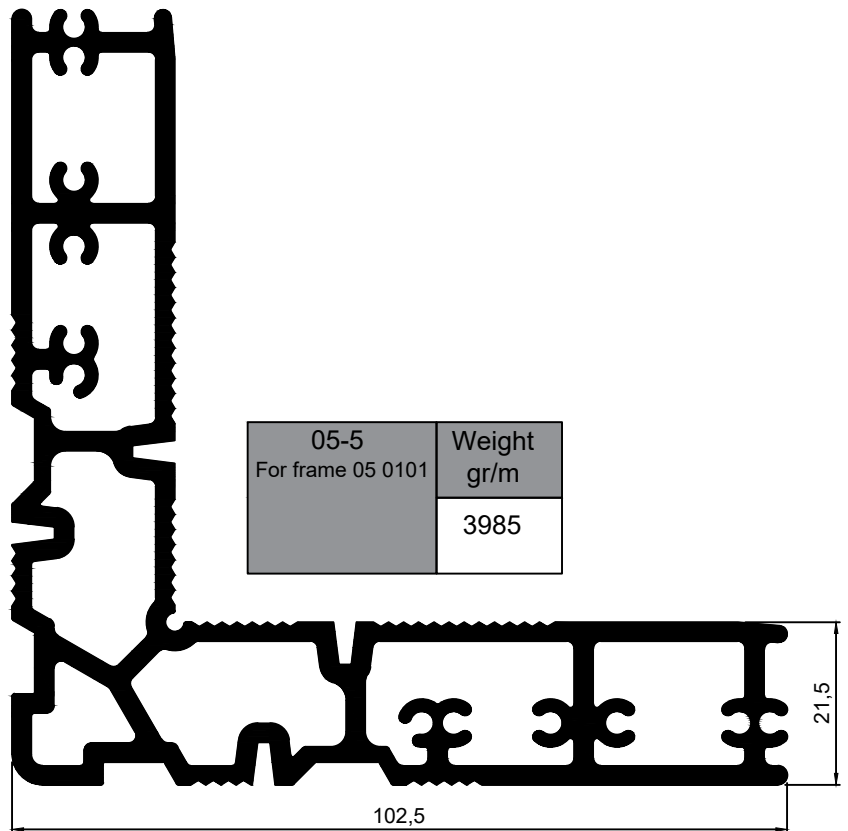
## PROFILES



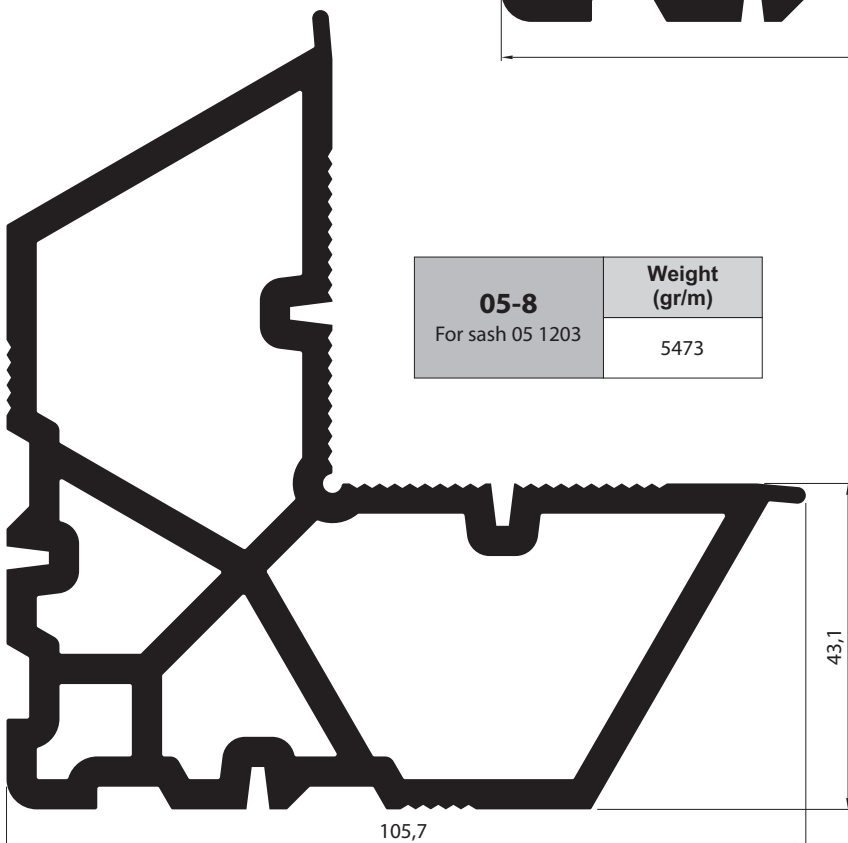
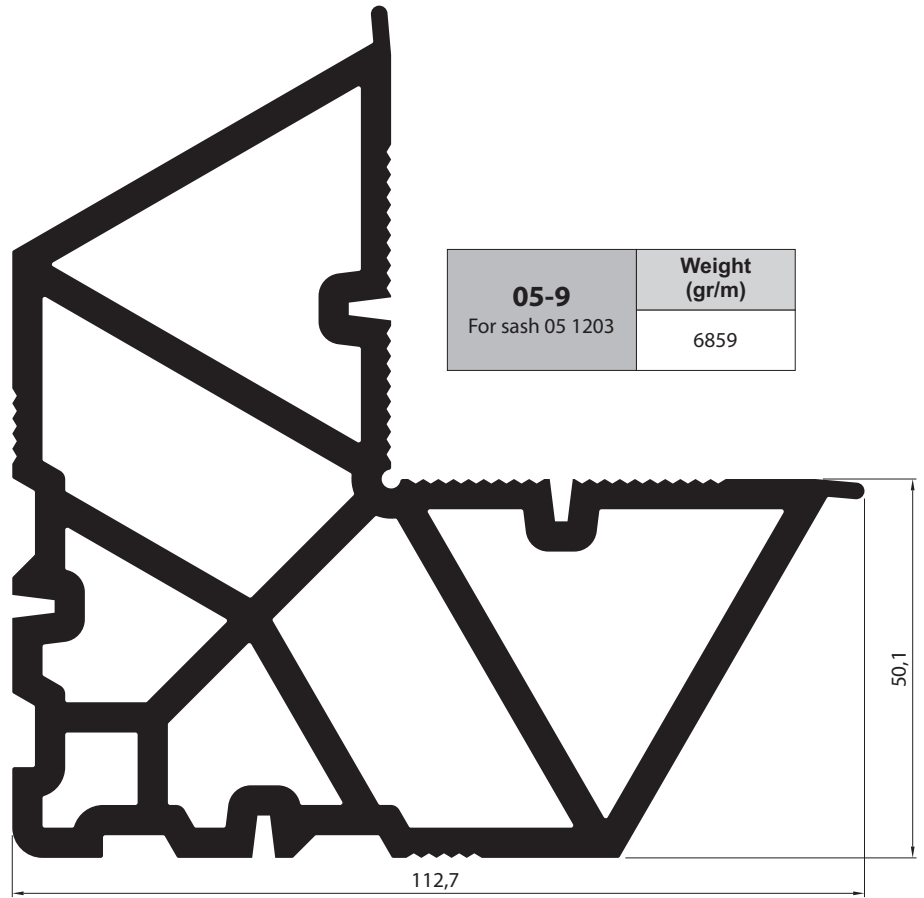
05-3 For "T" profiles: 05 0301 05 0302 05 0303	Weight gr/m
	634



05-4 For "T" profiles: 05 0301,05 0302 05 0303,05 0309	Weight gr/m
	379

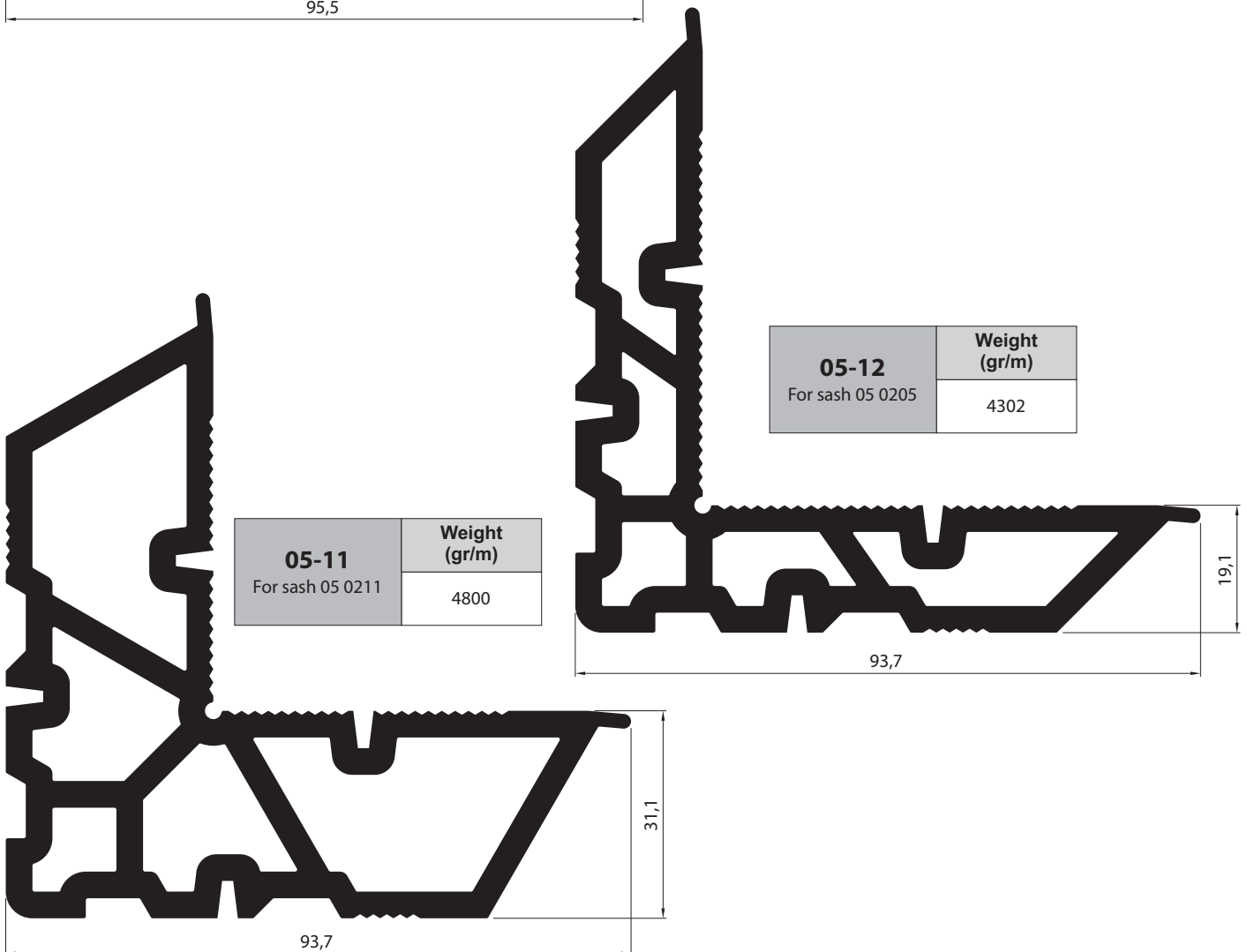
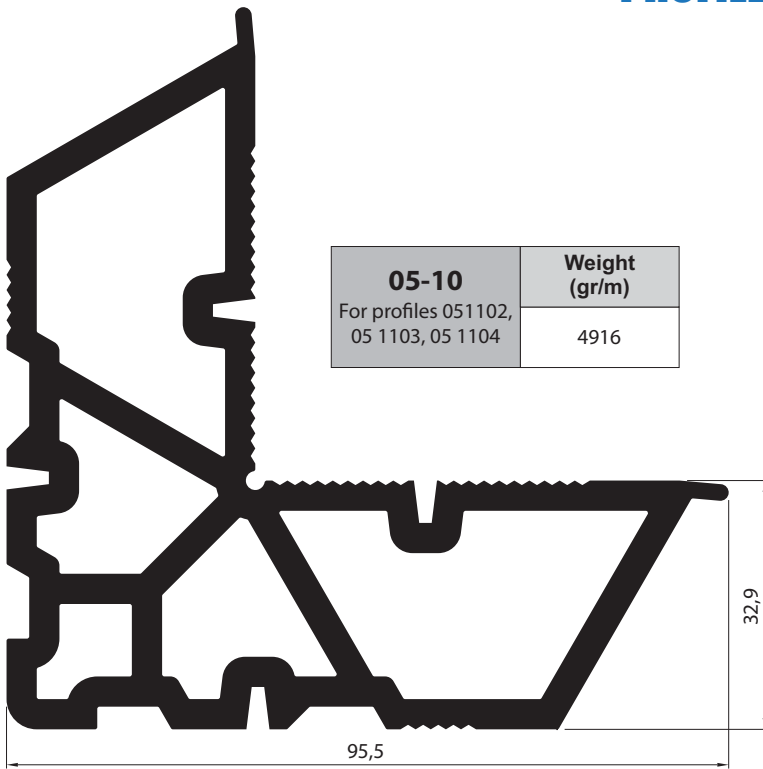


## PROFILES



ALL OF THE PROFILE WEIGHTS ARE THEORETICAL  
M 1:1

## PROFILES



# **WINDOWS**

**ASPECT SECTIONS**

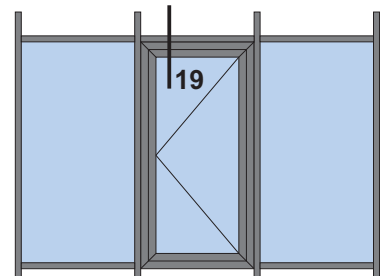
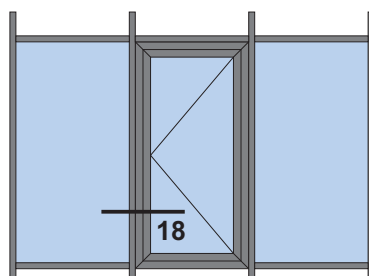
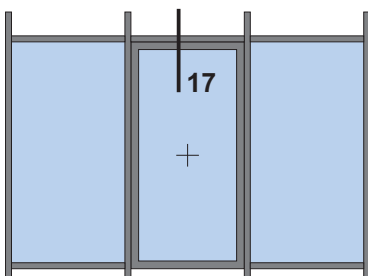
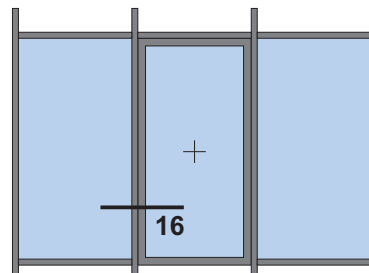
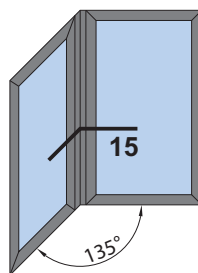
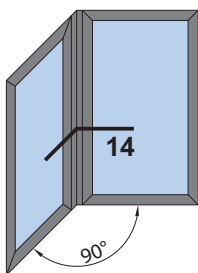
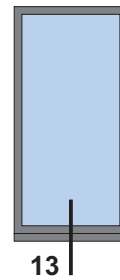
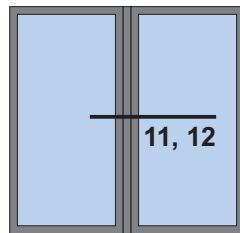
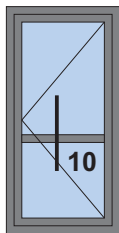
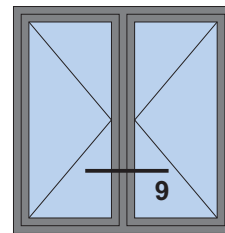
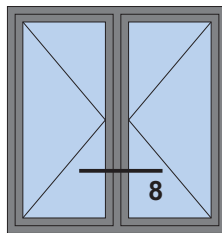
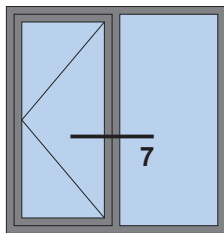
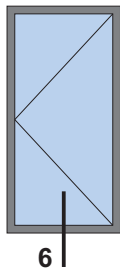
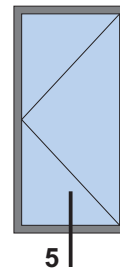
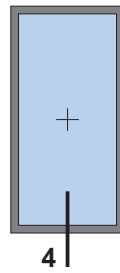
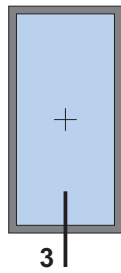
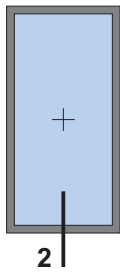
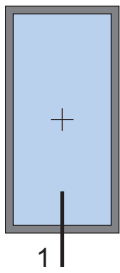
**WINDOWS SECTIONS**

**SECTIONS WITH BOND DETAILS**

**GLAZING OPTIONS**

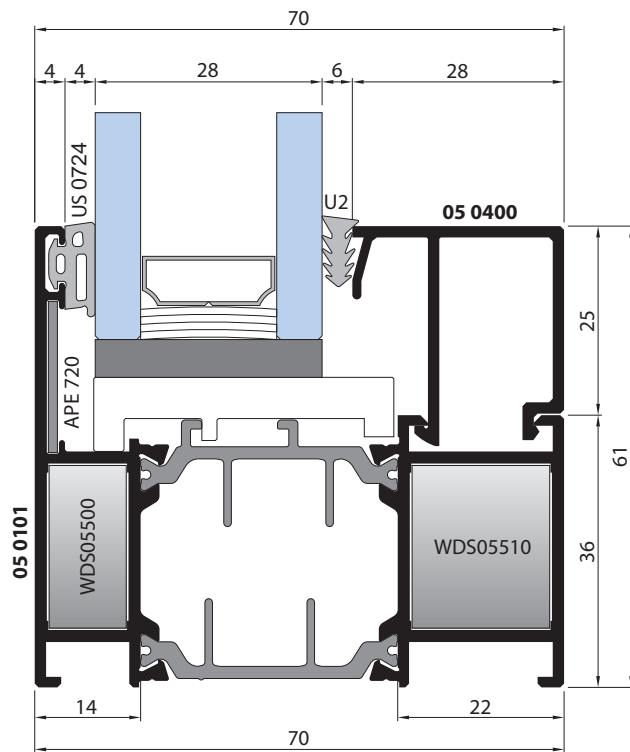
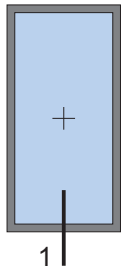
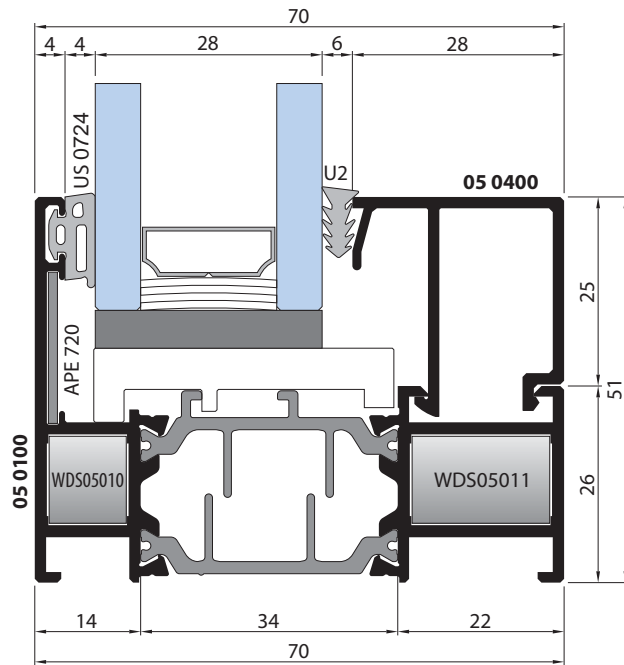
---

## ASPECT SECTIONS

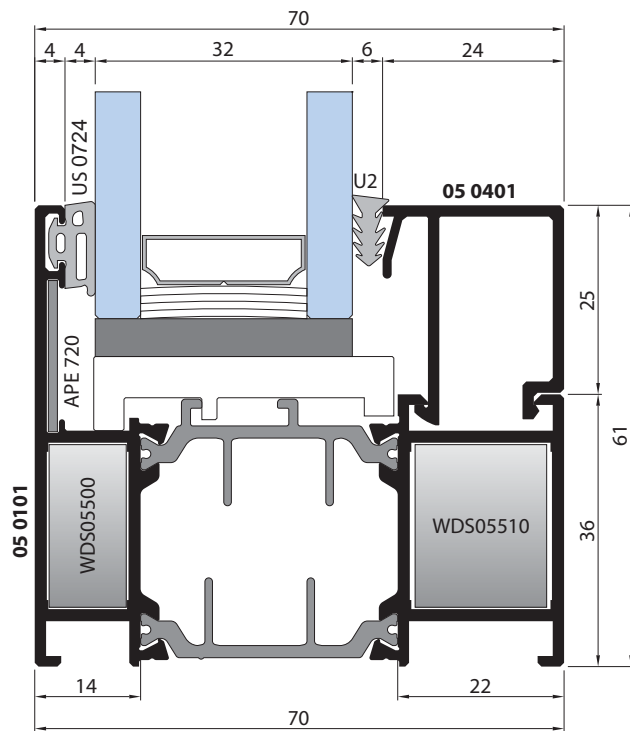
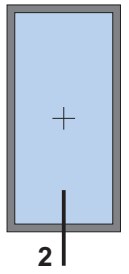
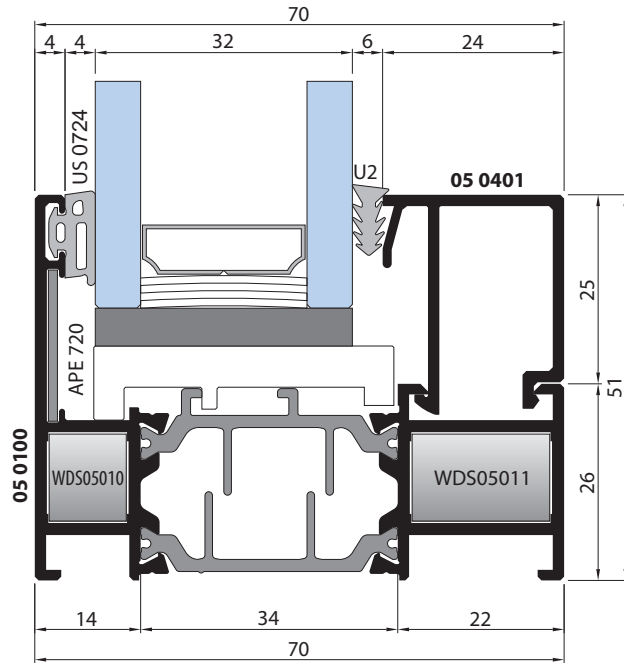




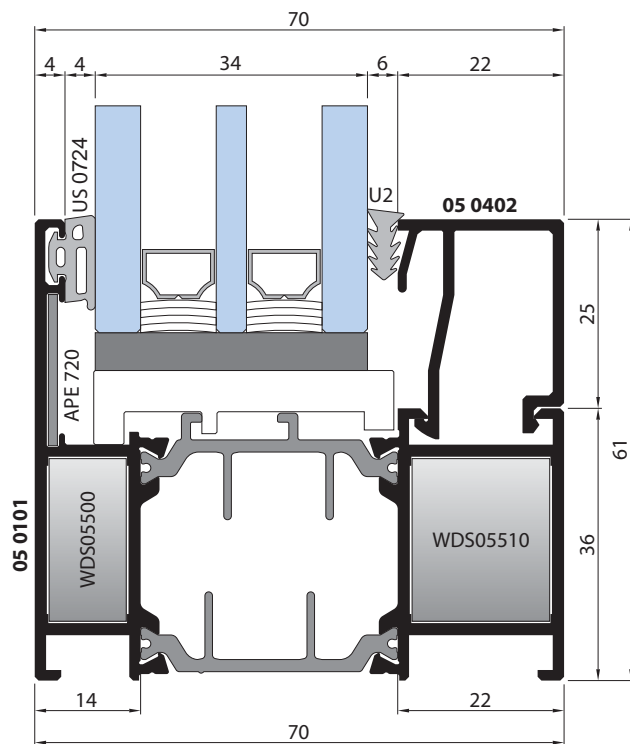
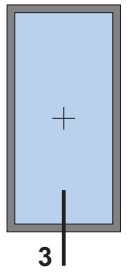
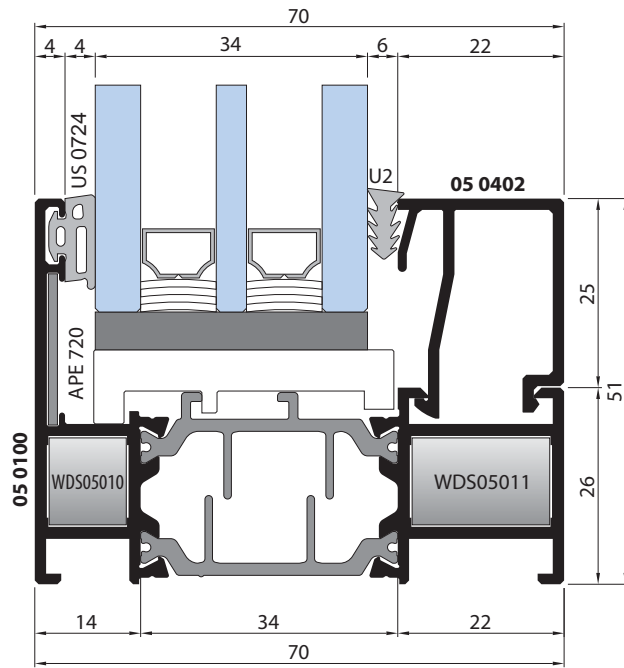
## WINDOWS SECTIONS



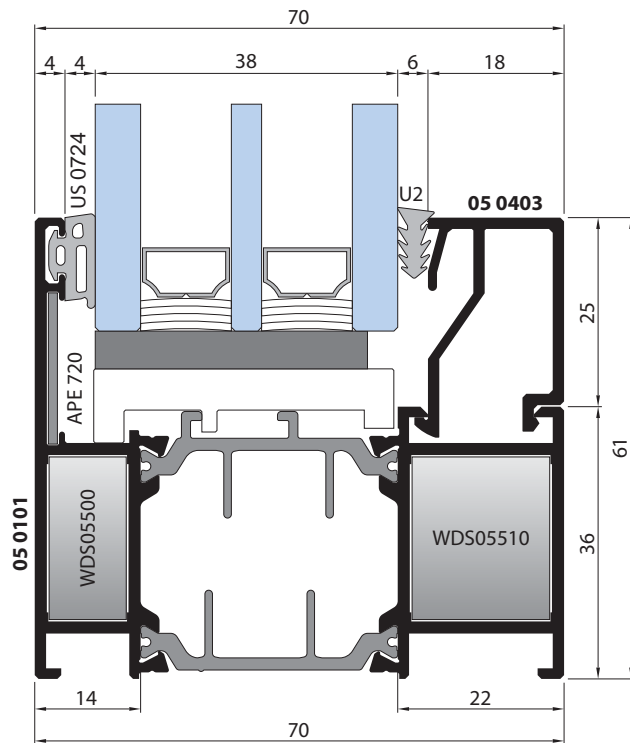
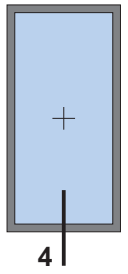
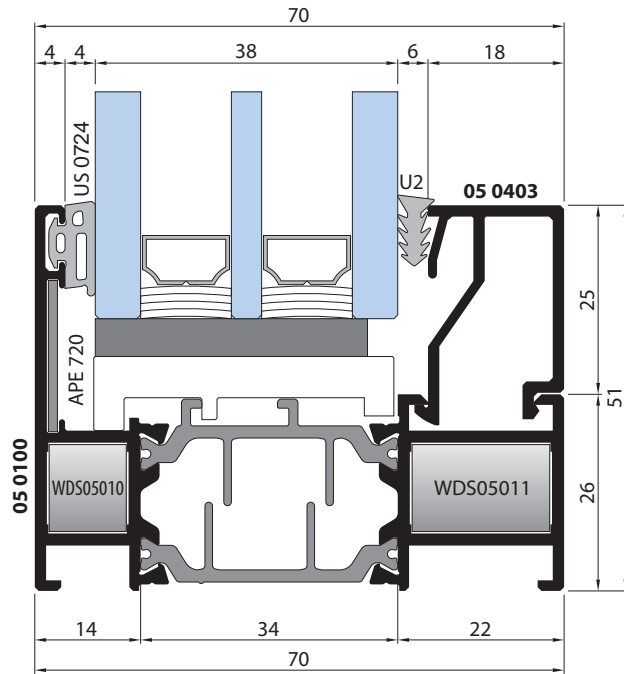
## WINDOWS SECTIONS



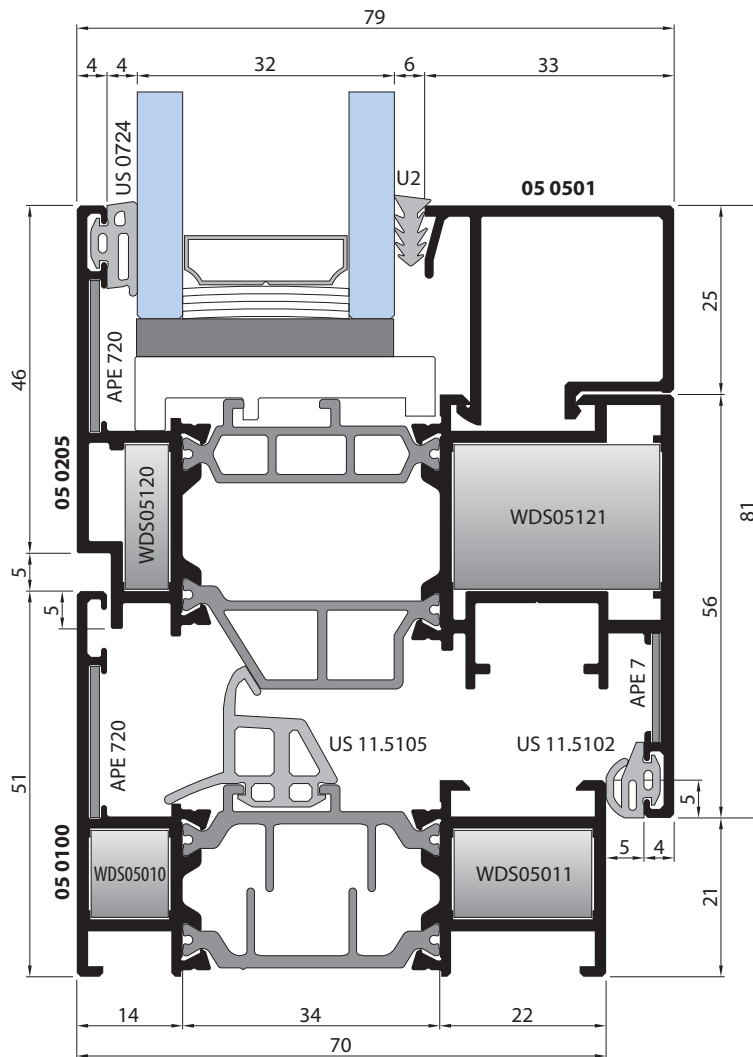
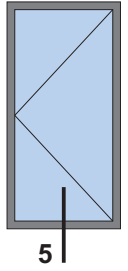
## WINDOWS SECTIONS



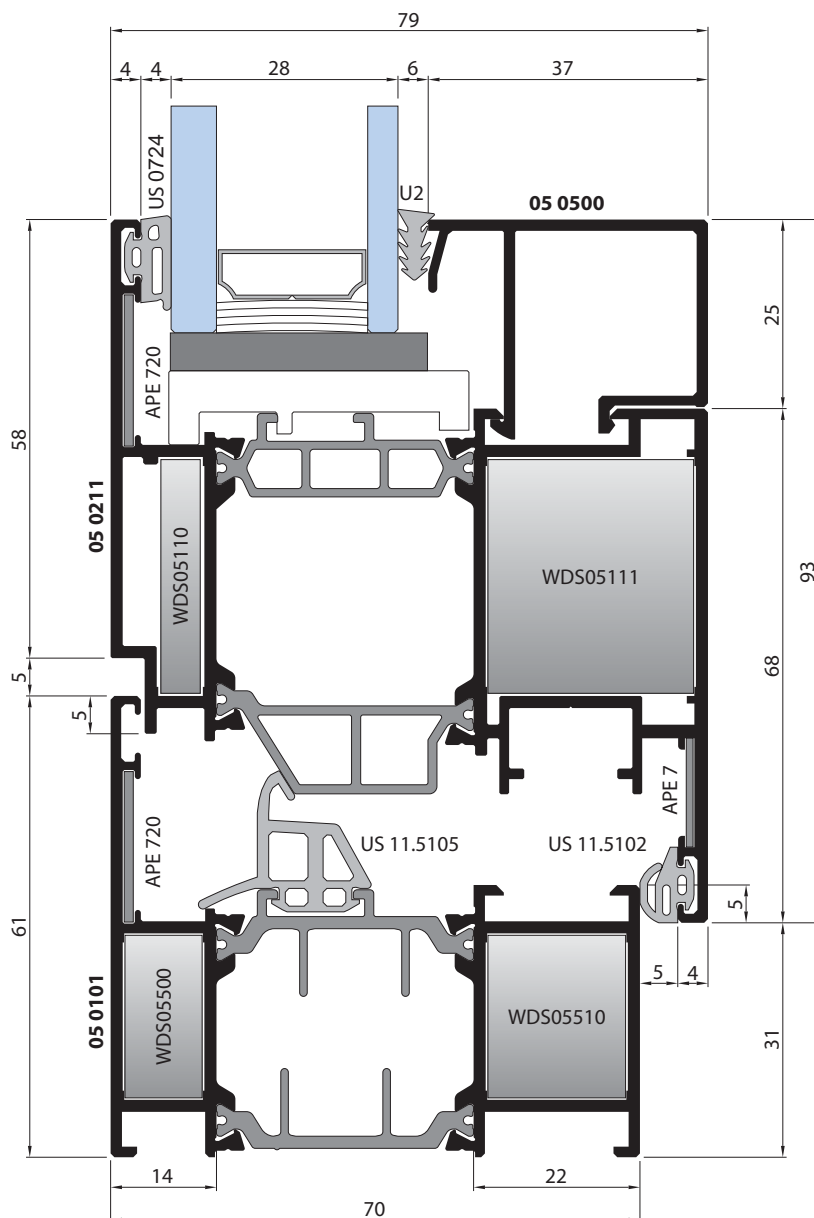
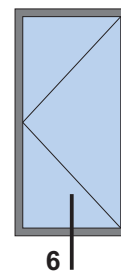
## WINDOWS SECTIONS



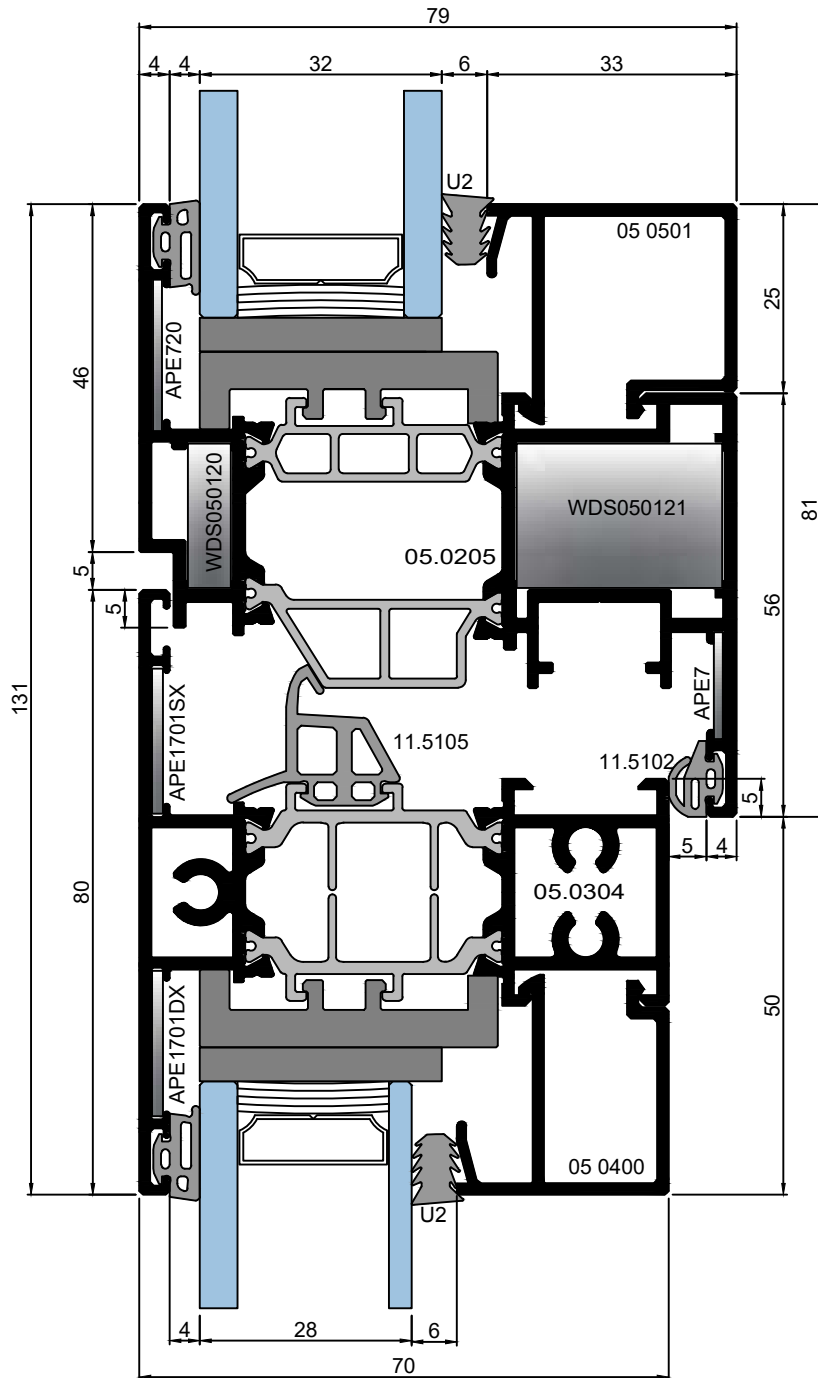
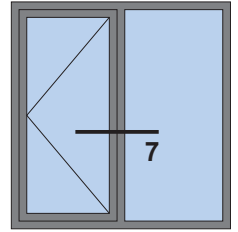
## WINDOWS SECTIONS



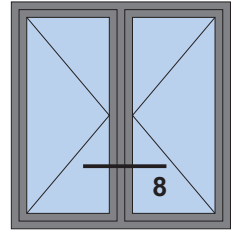
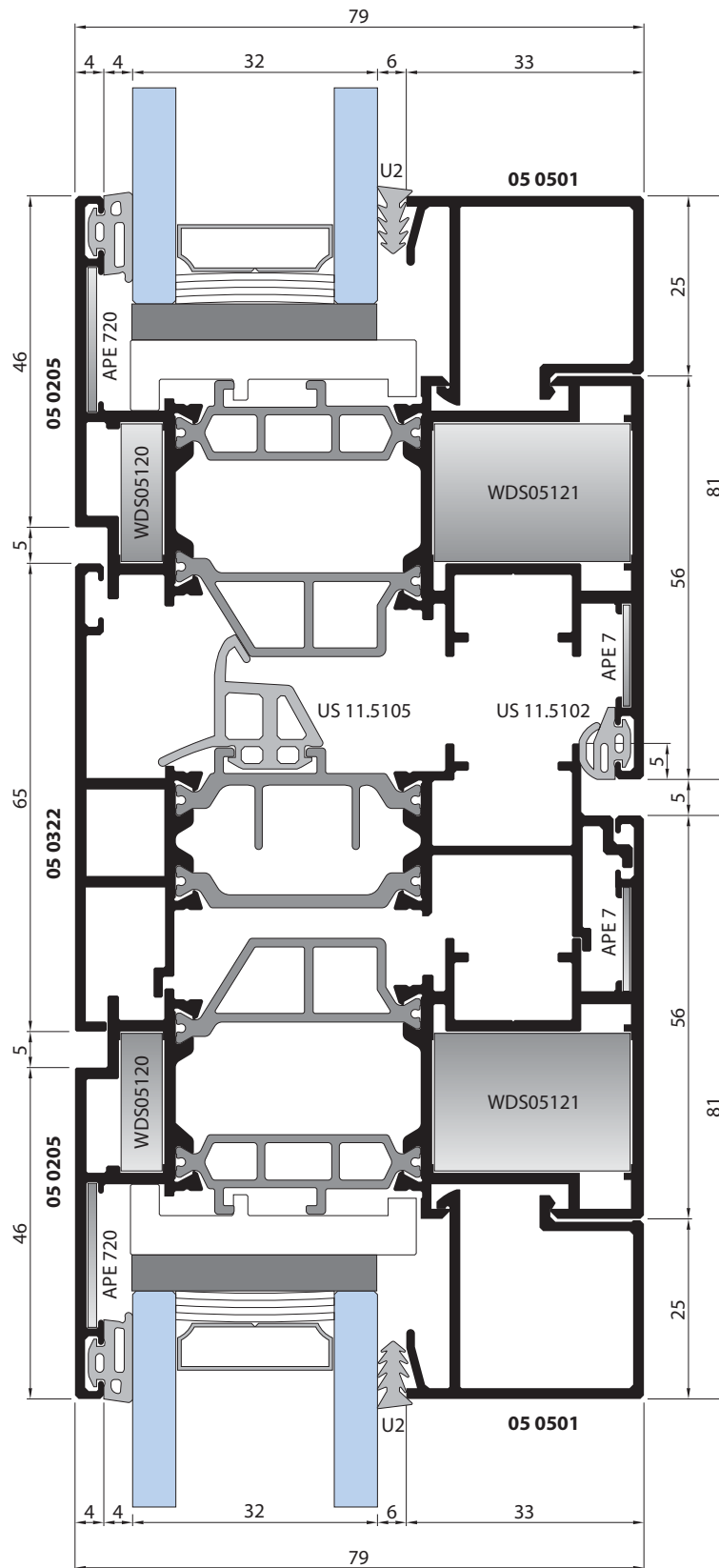
## WINDOWS SECTIONS



## WINDOWS SECTIONS

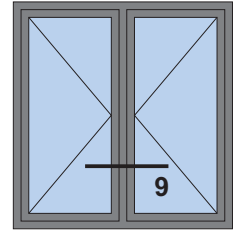
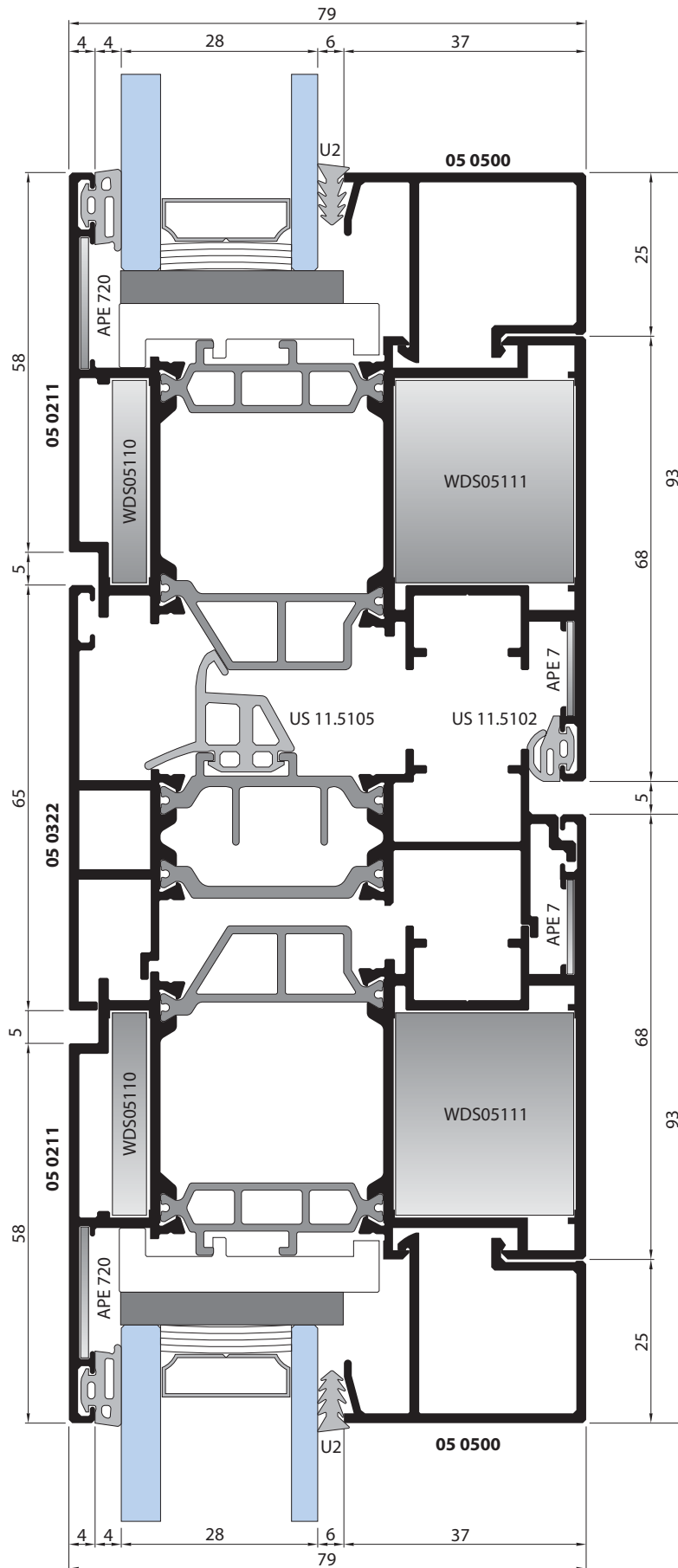


## WINDOWS SECTIONS

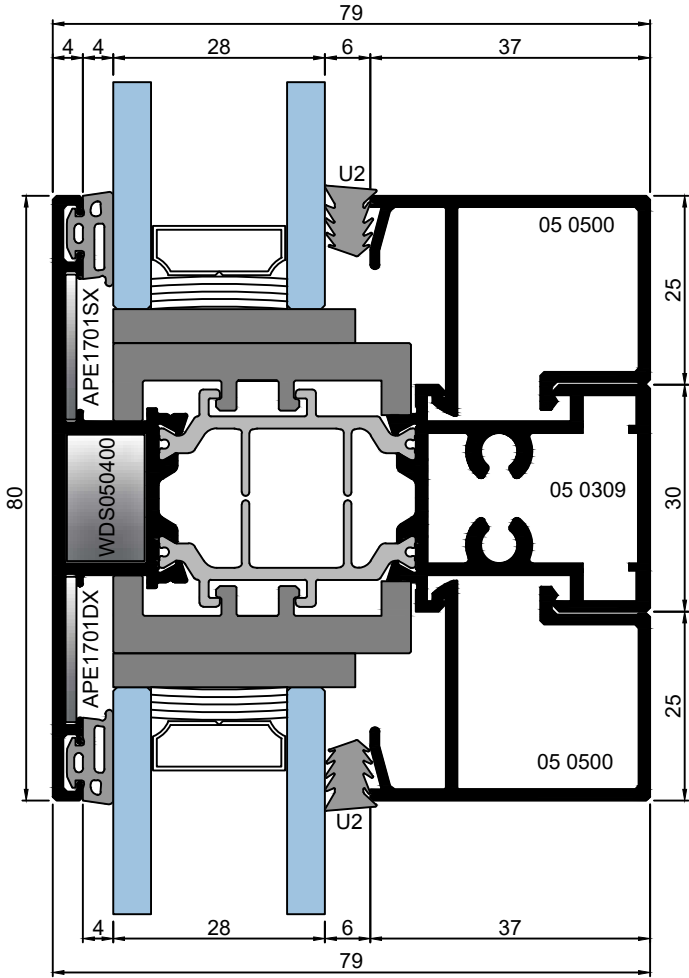
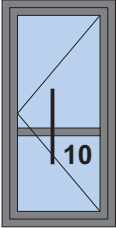




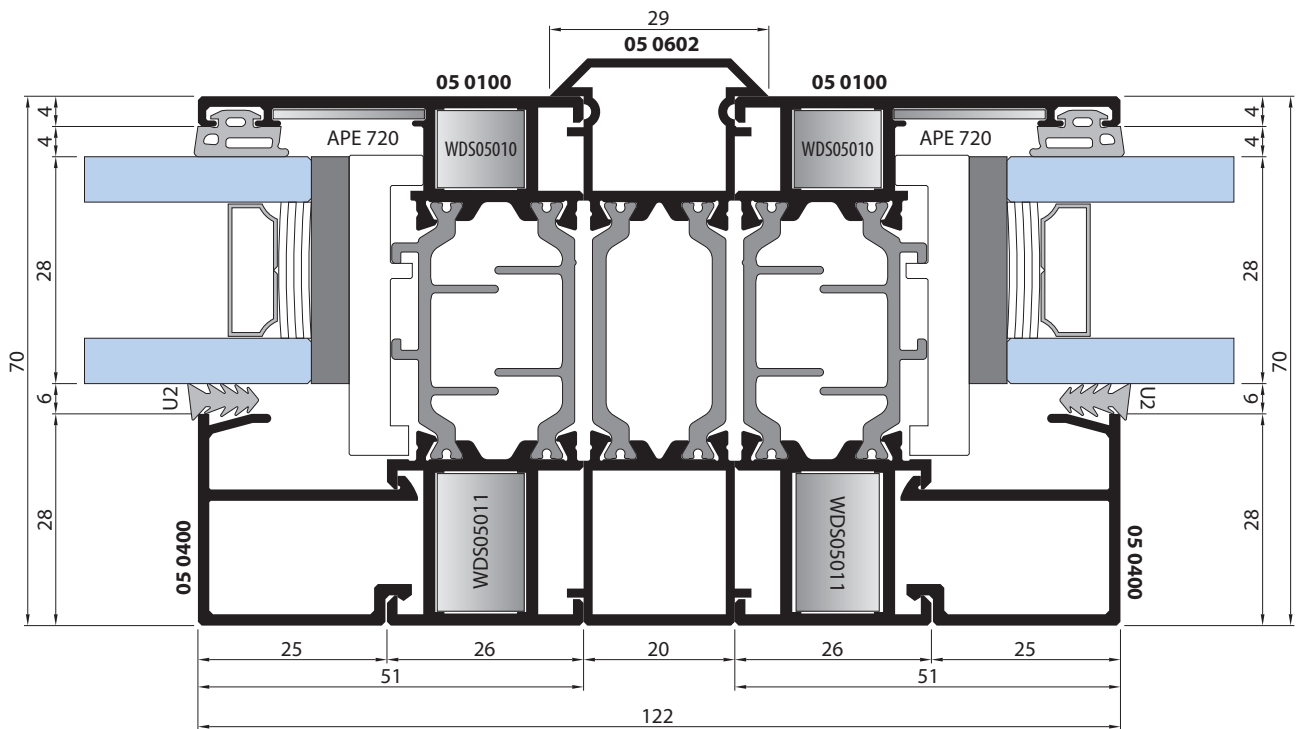
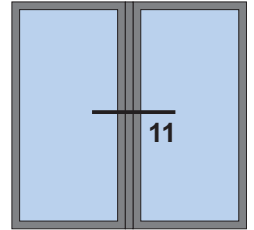
## WINDOWS SECTIONS



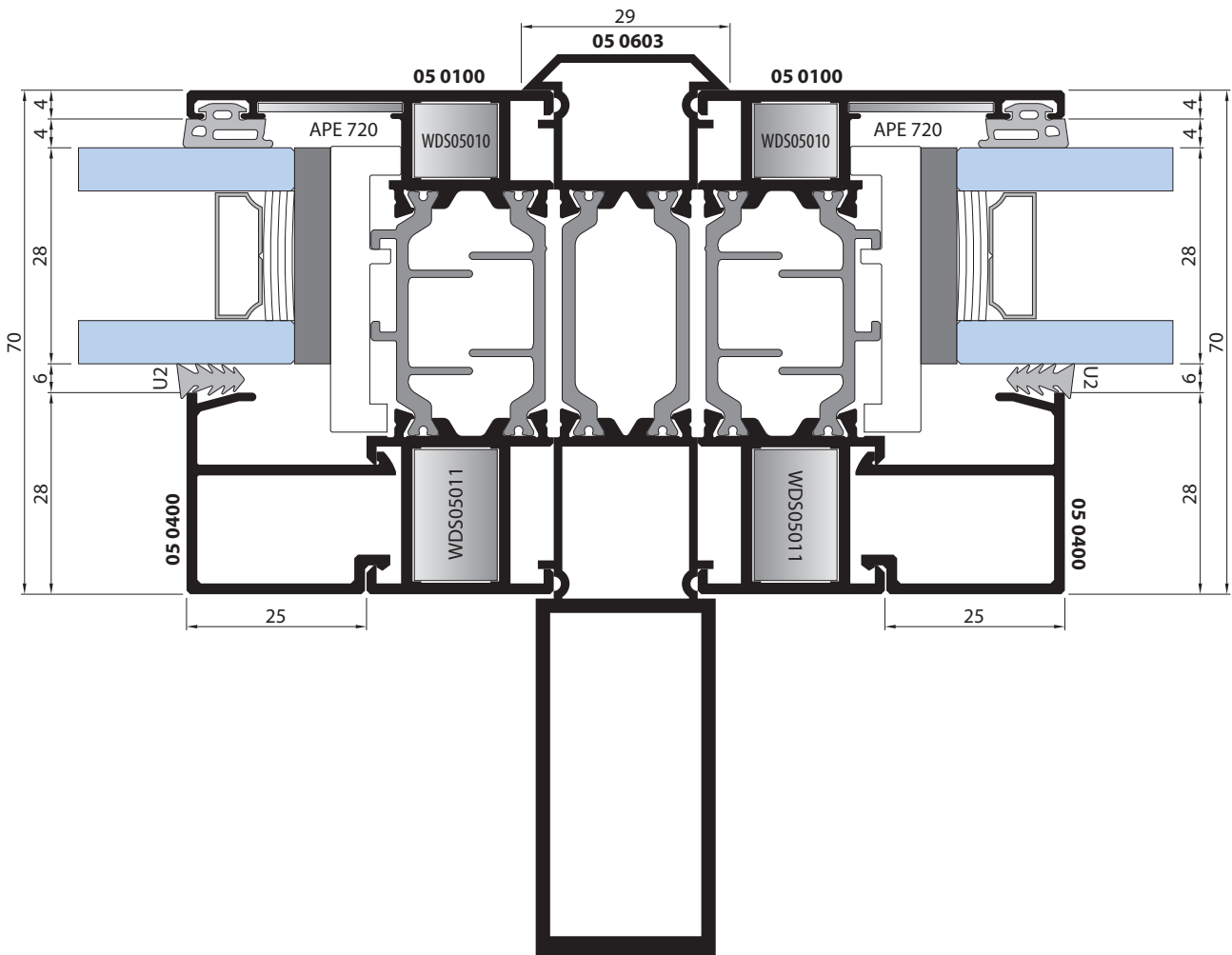
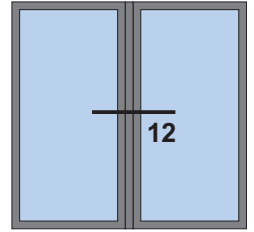
## WINDOWS SECTIONS



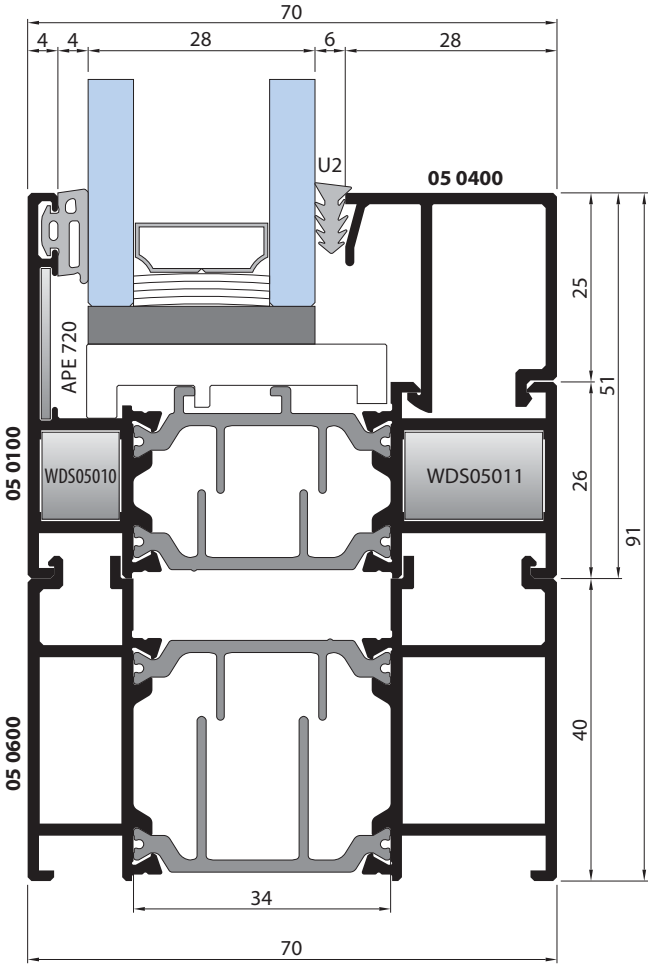
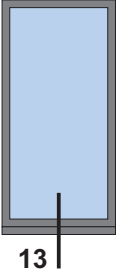
## WINDOWS SECTIONS



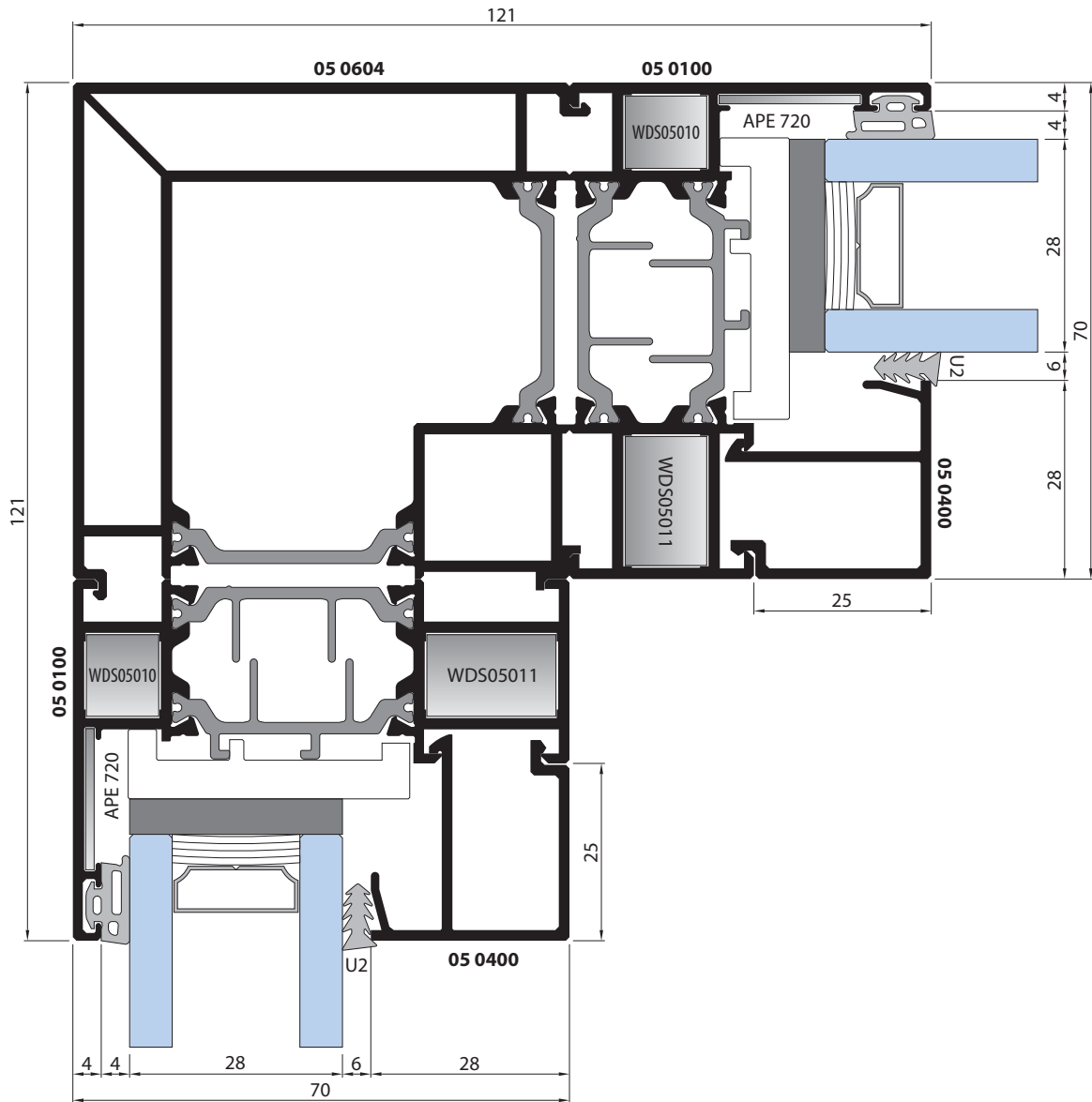
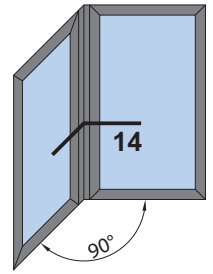
## WINDOWS SECTIONS



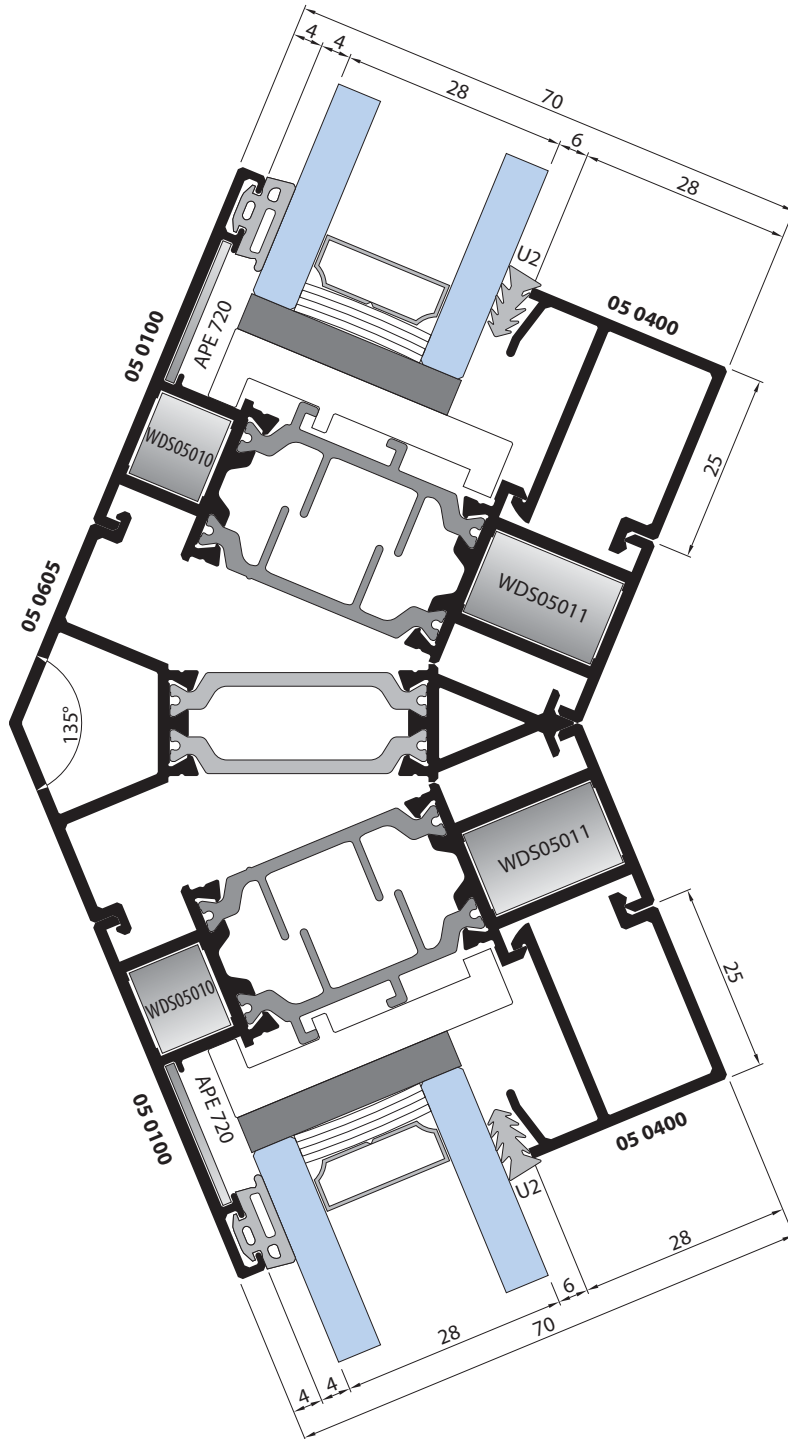
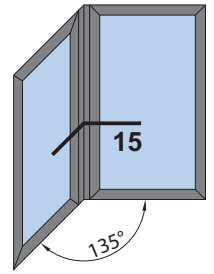
## WINDOWS SECTIONS

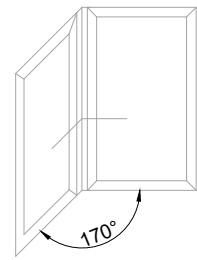
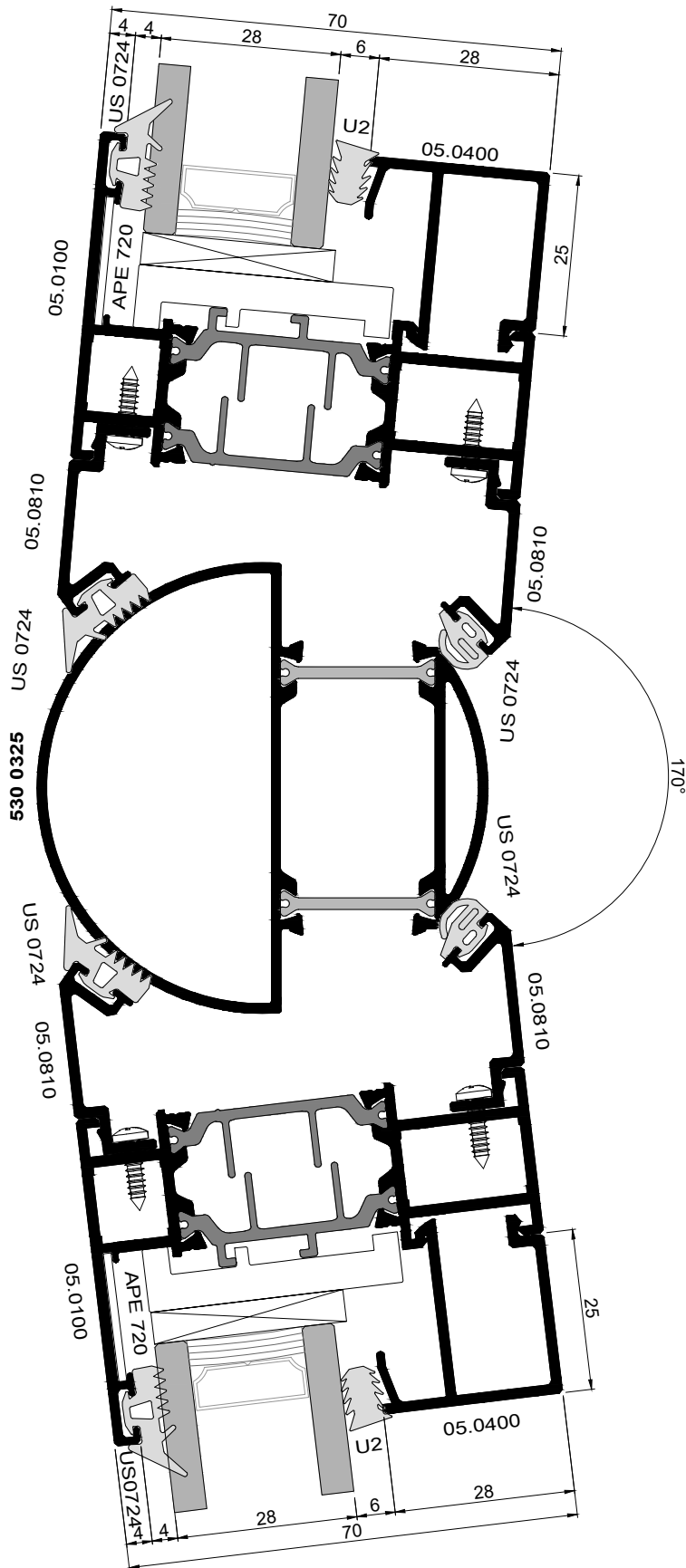


## WINDOWS SECTIONS



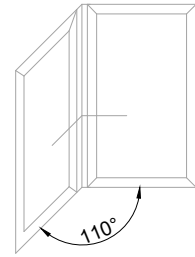
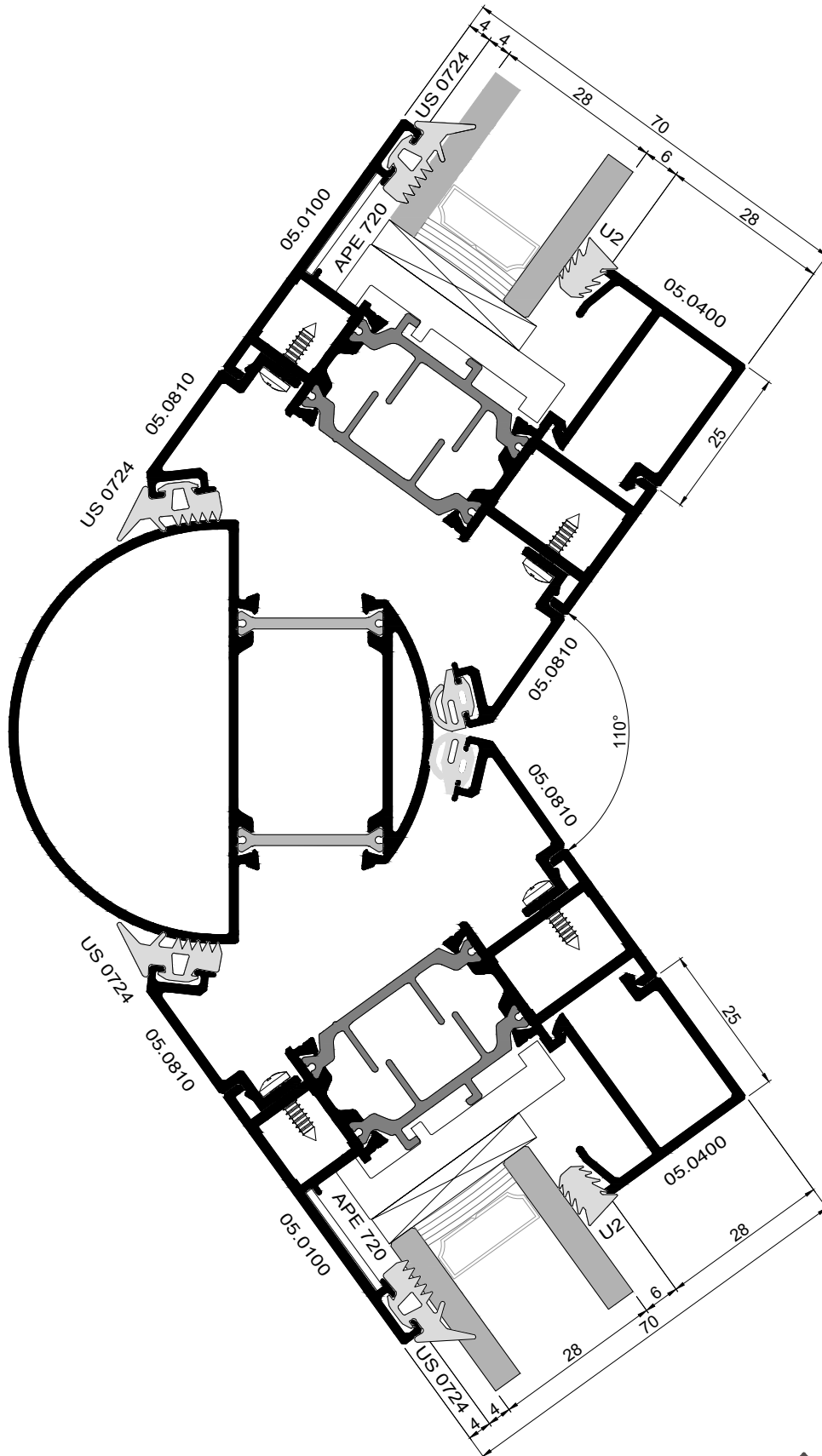
## WINDOWS SECTIONS



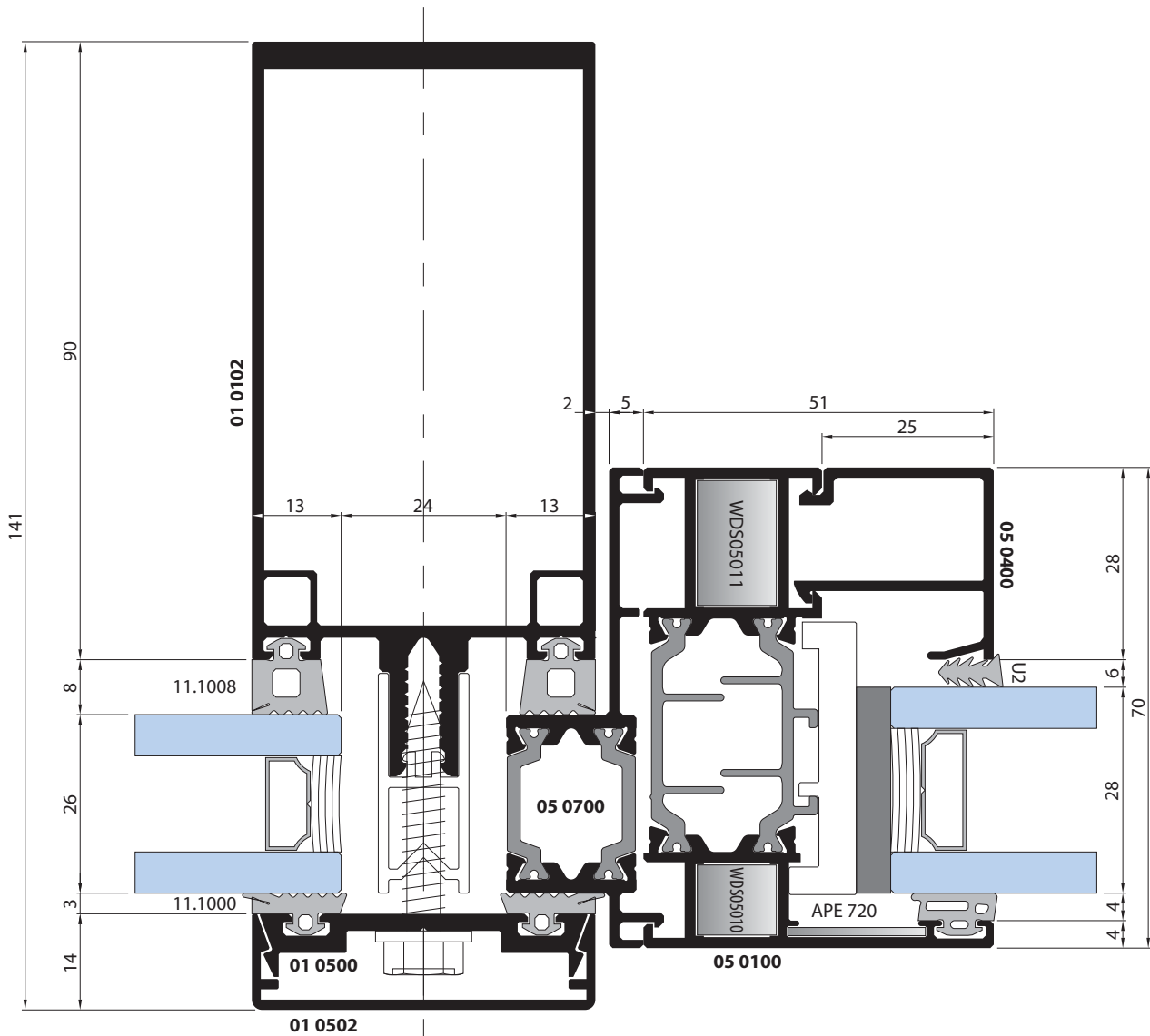
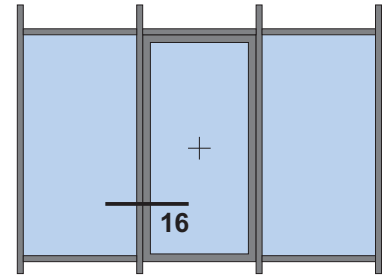




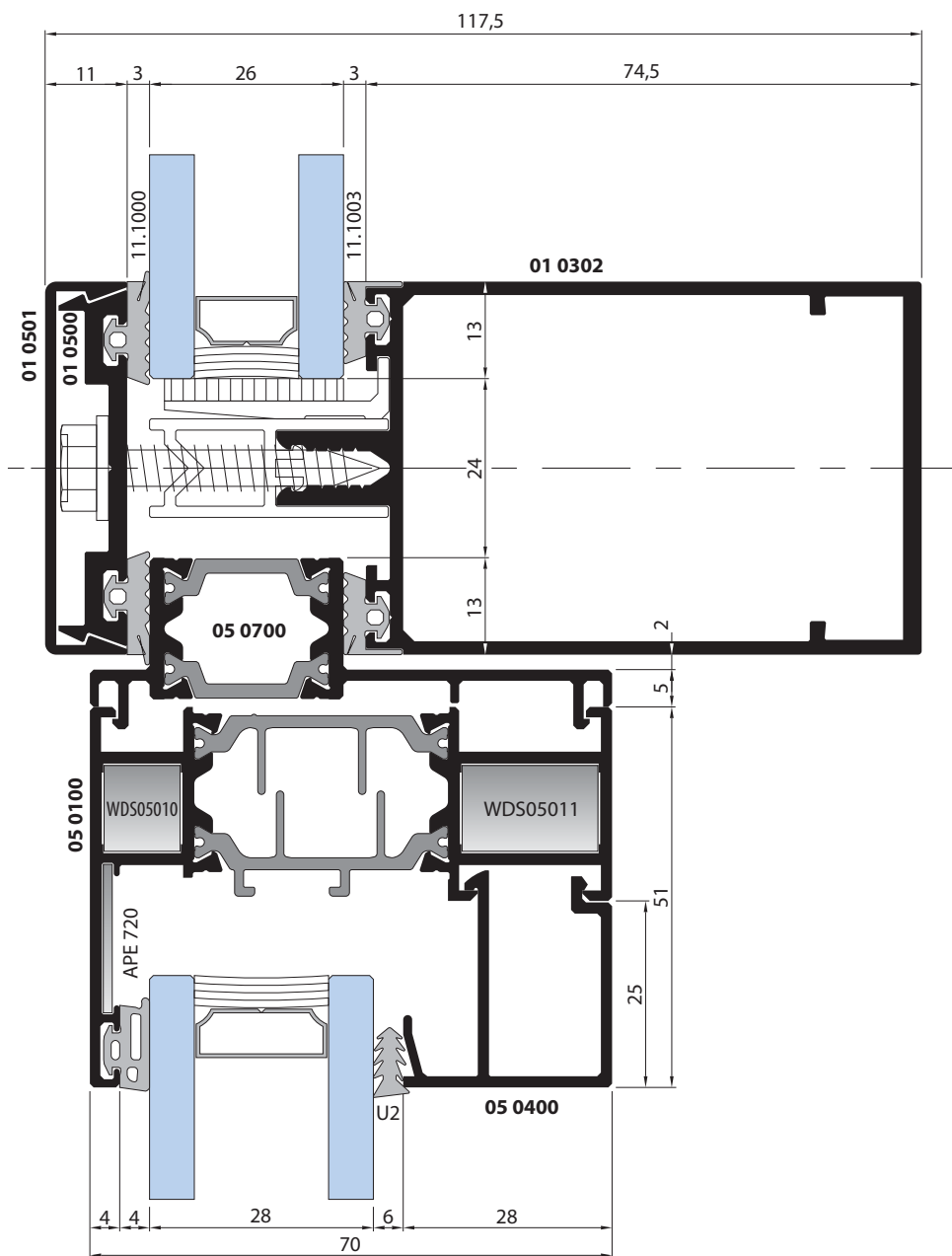
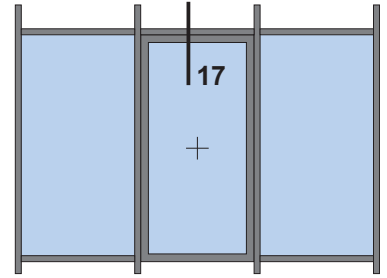
## WINDOWS SECTIONS



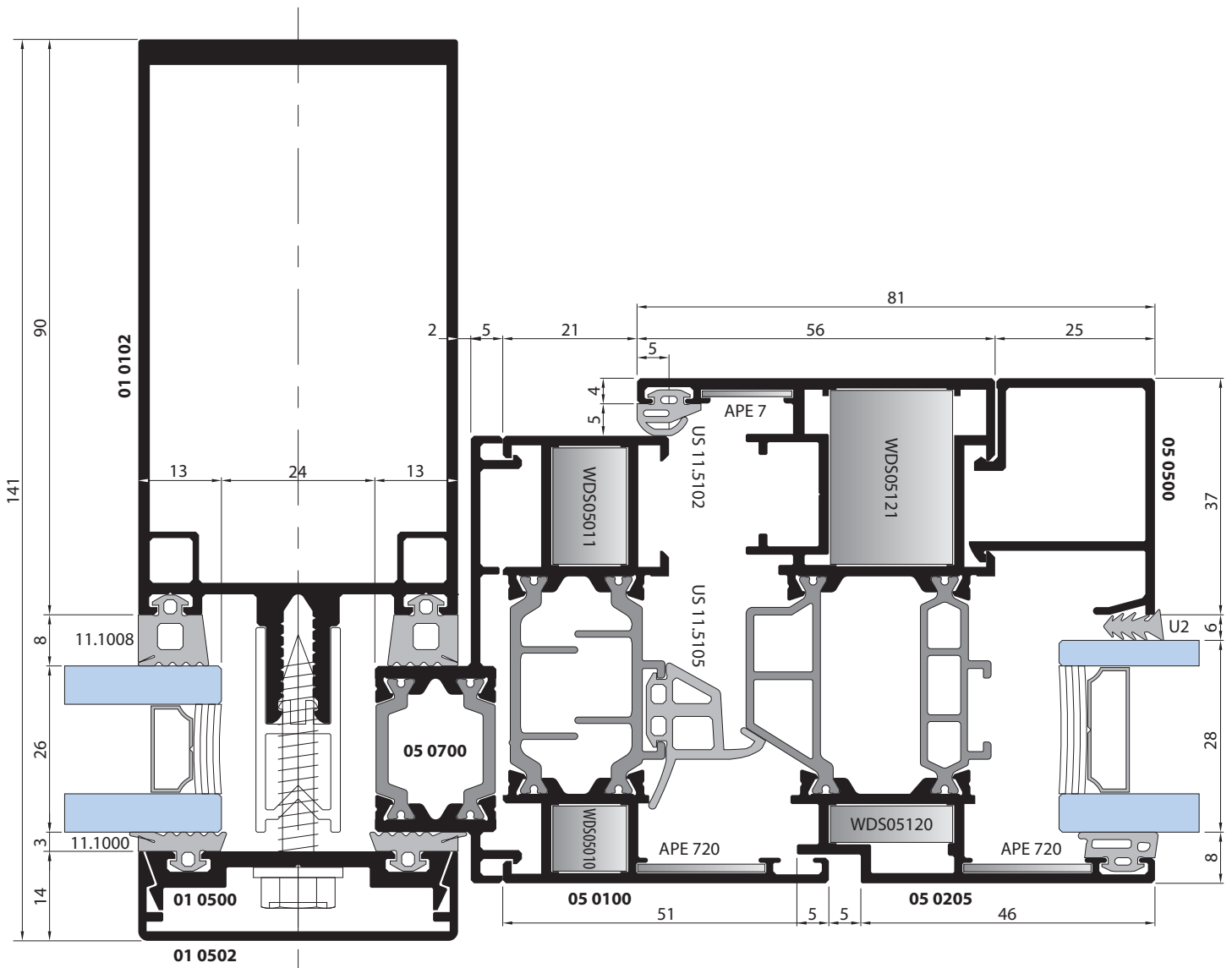
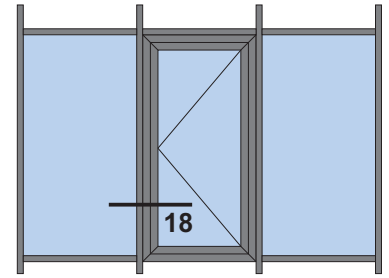
## WINDOWS SECTIONS



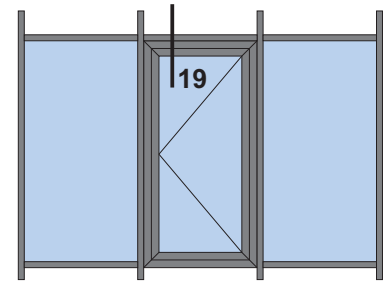
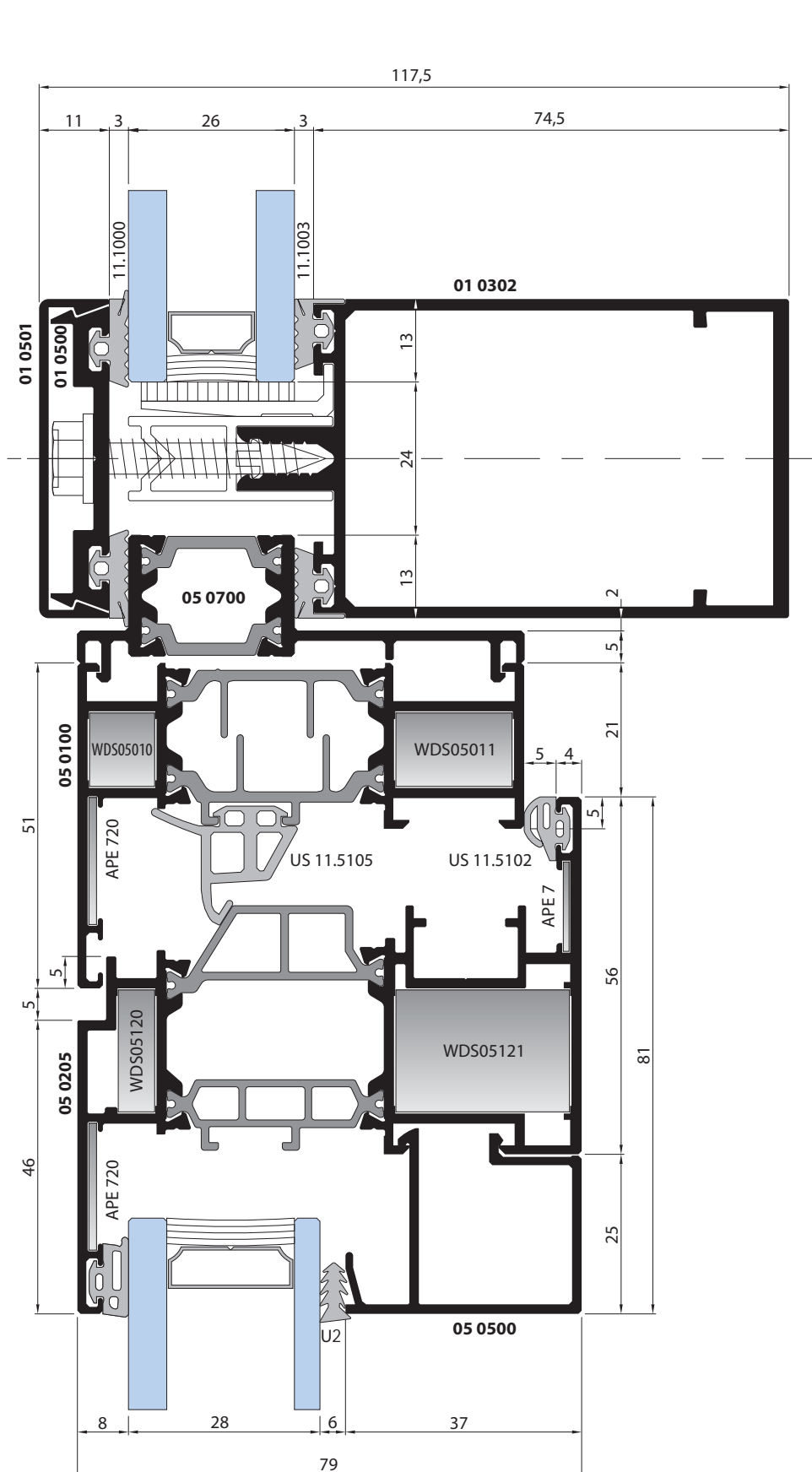
## WINDOWS SECTIONS



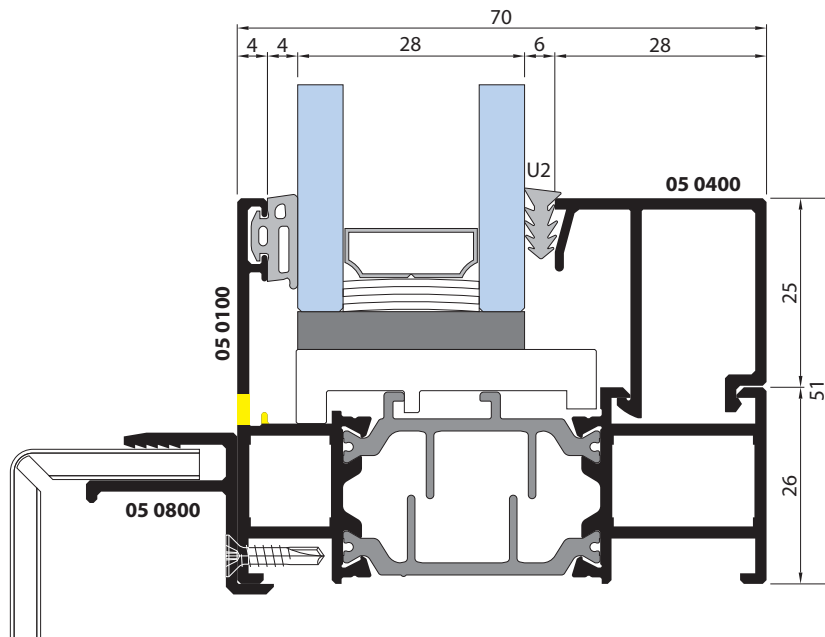
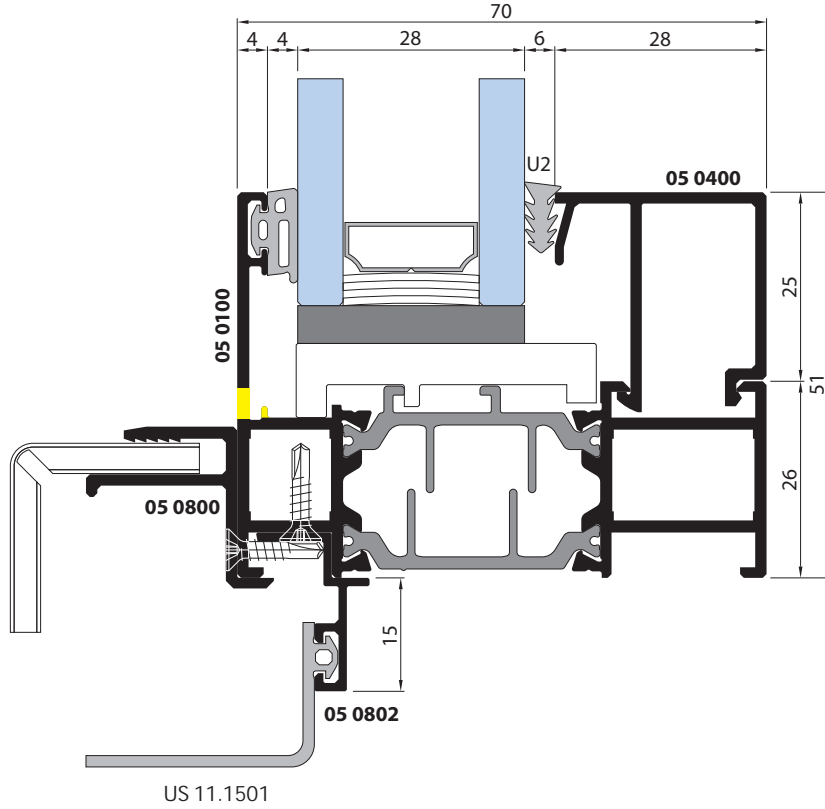
## WINDOWS SECTIONS



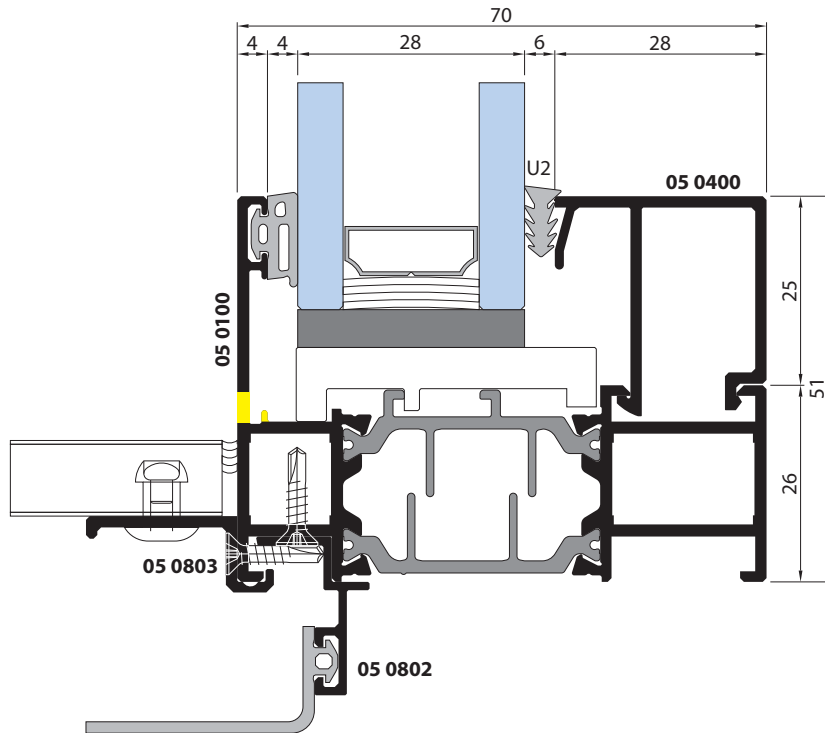
## WINDOWS SECTIONS



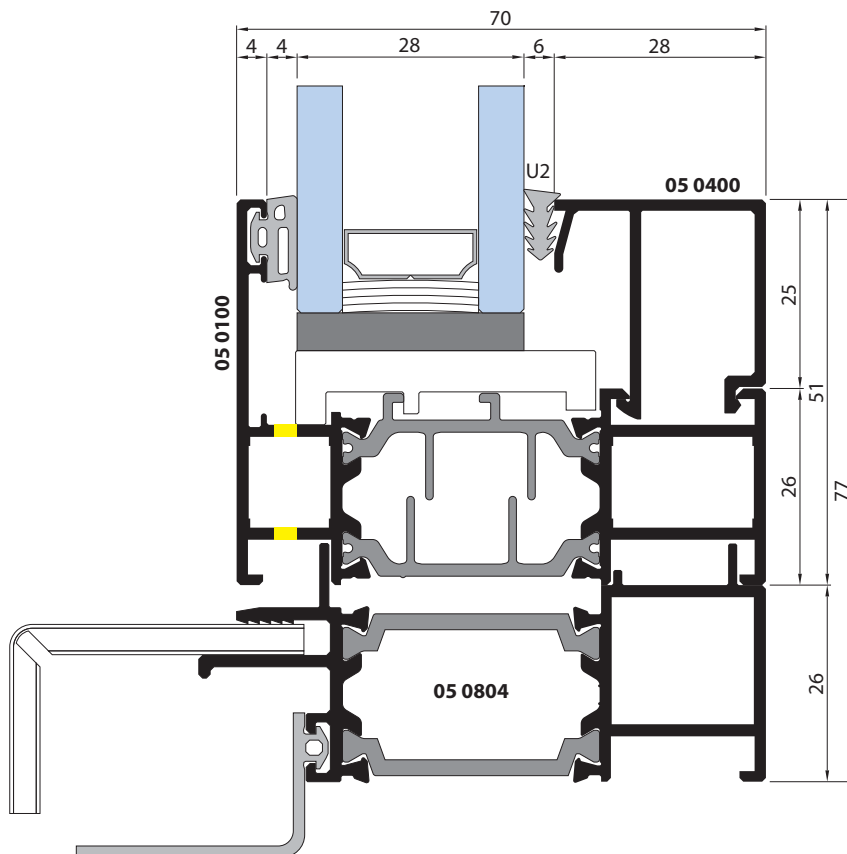
## SECTIONS WITH BOND DETAILS



**SECTIONS WITH BOND DETAILS**

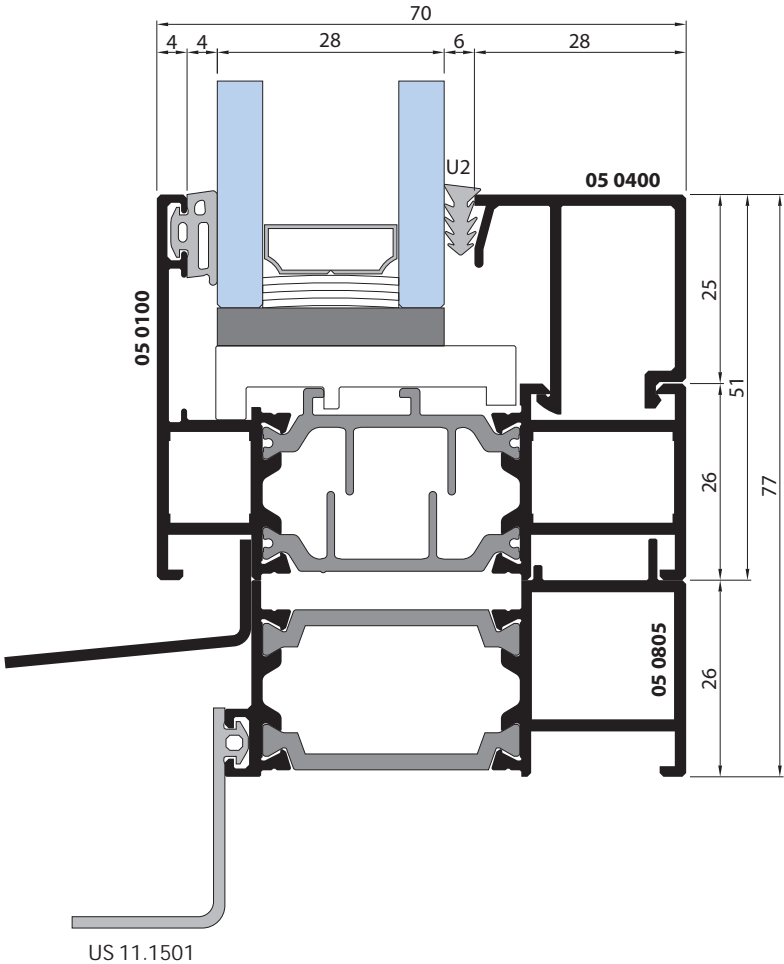


US 11.1501



US 11.1501

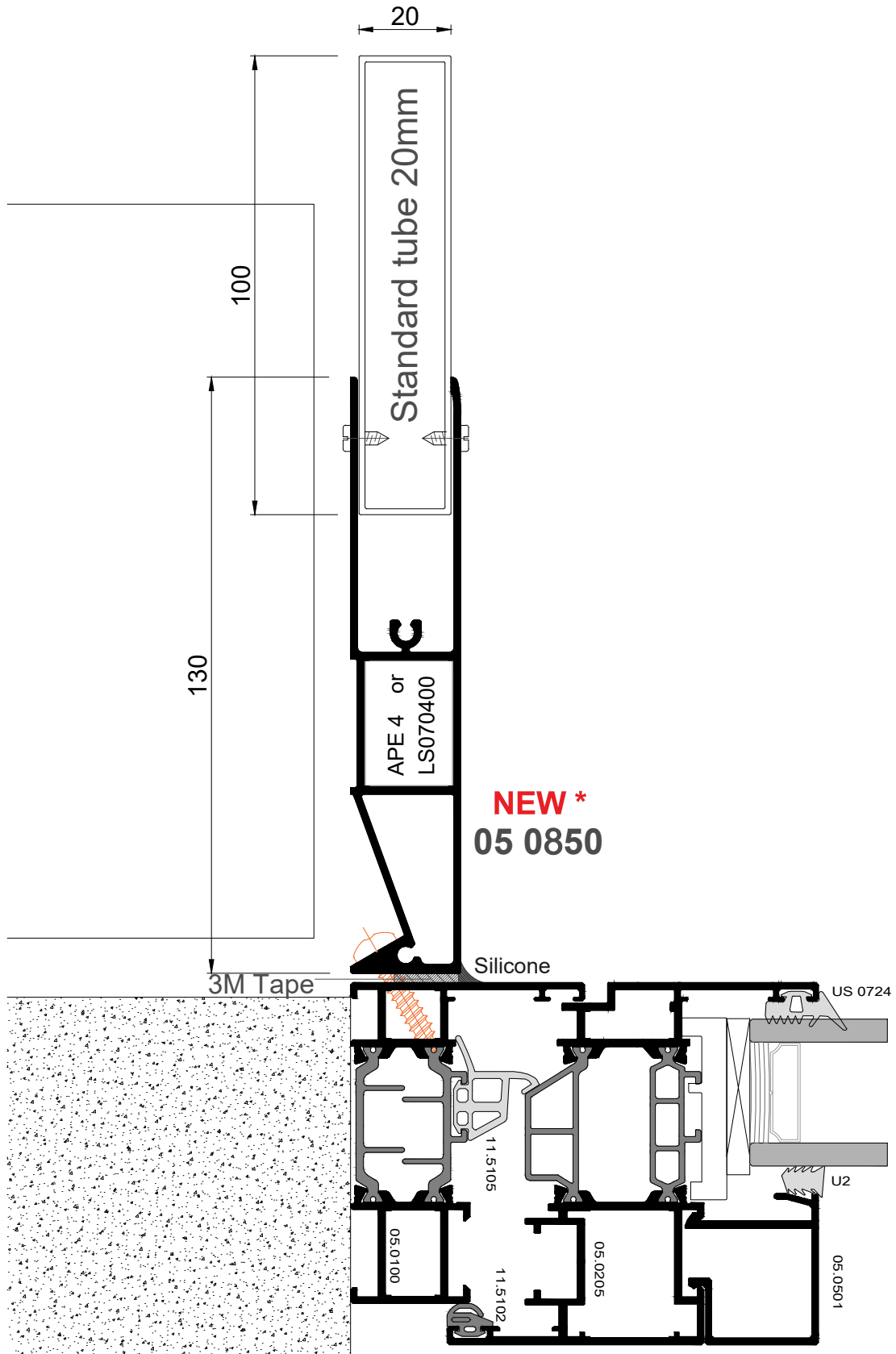
## SECTIONS WITH BOND DETAILS





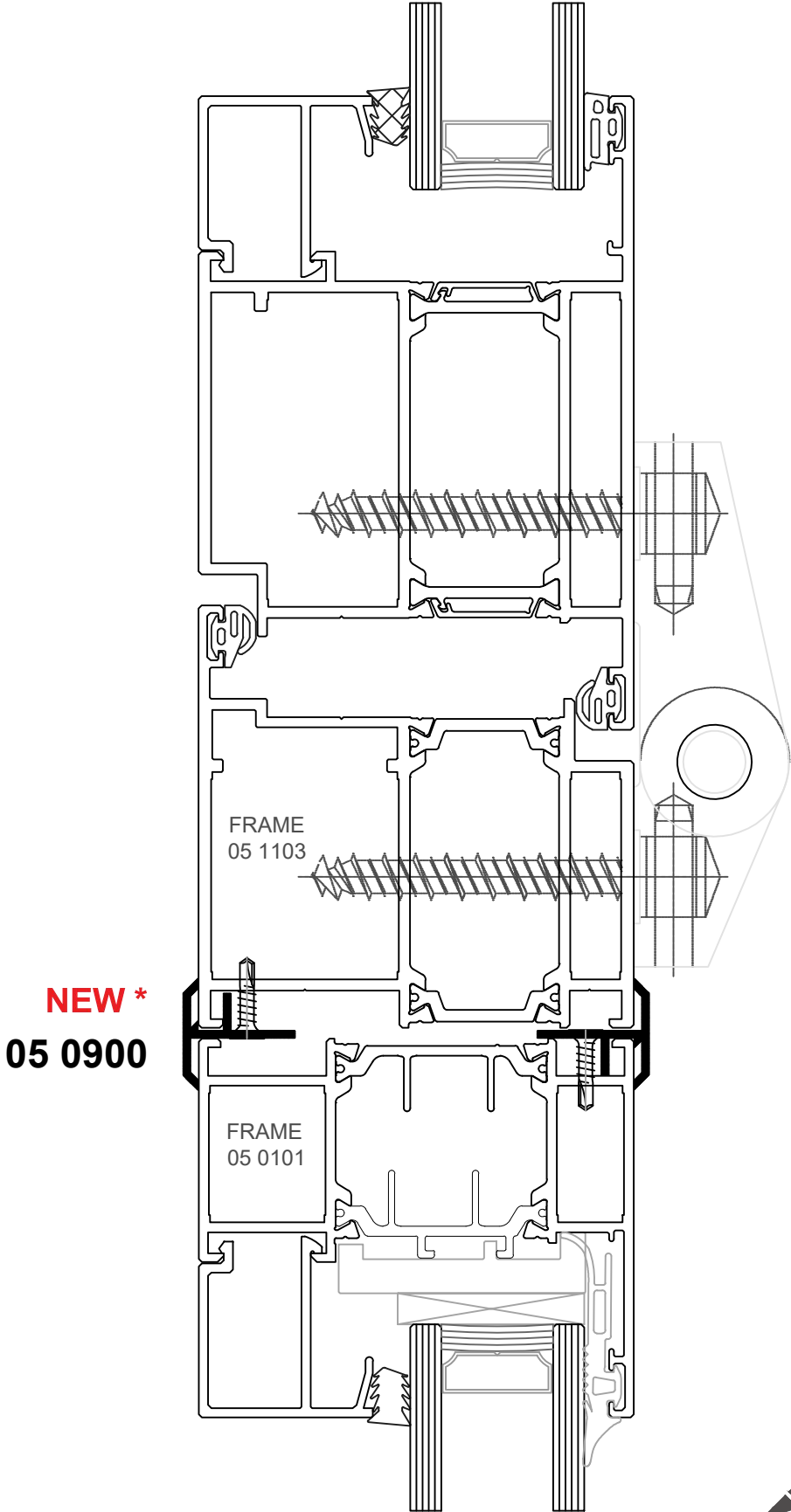
# Series WDS 70

## FRAME TO FACADE SECTIONS

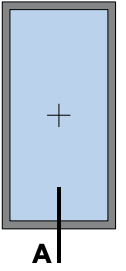
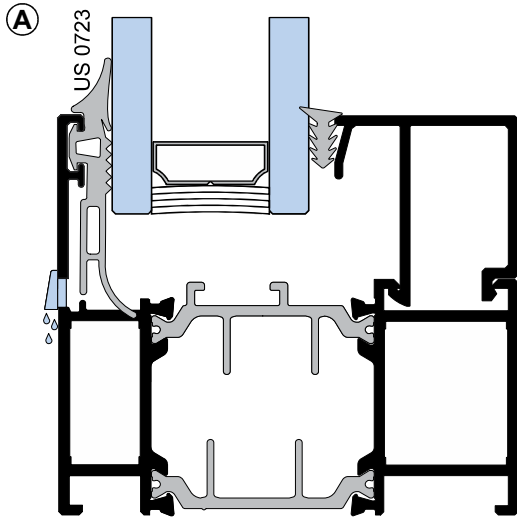


**Series  
WDS 70**

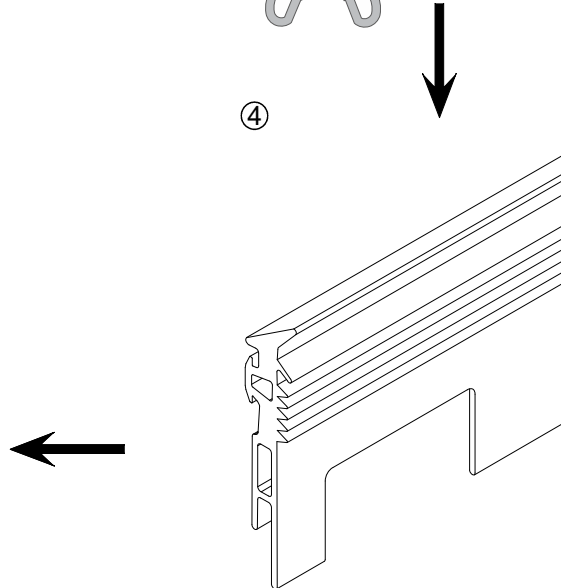
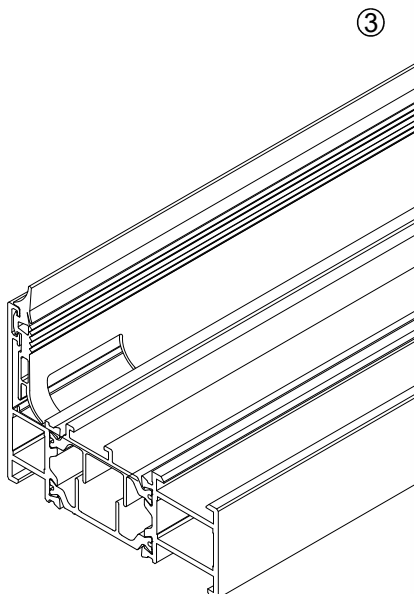
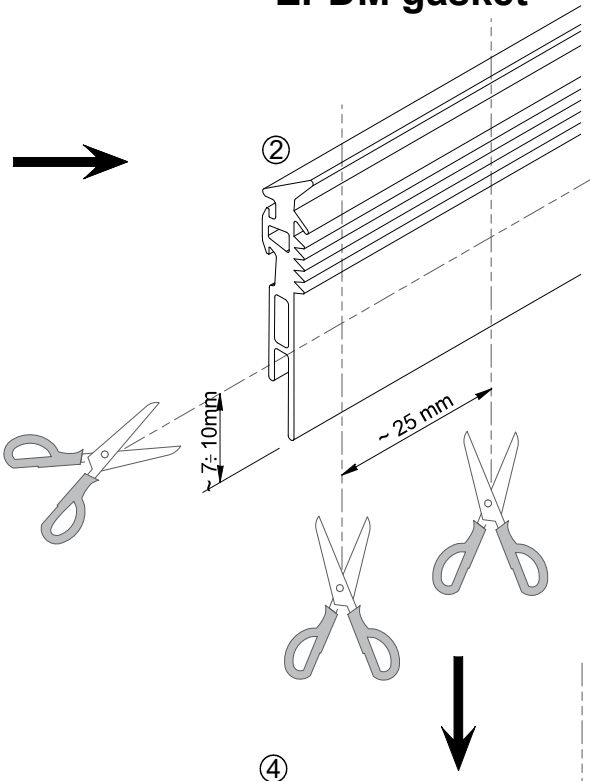
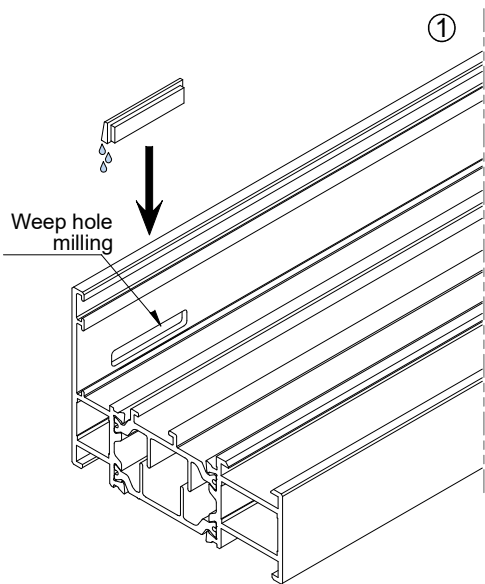
**FRAME TO FRAME SECTIONS**



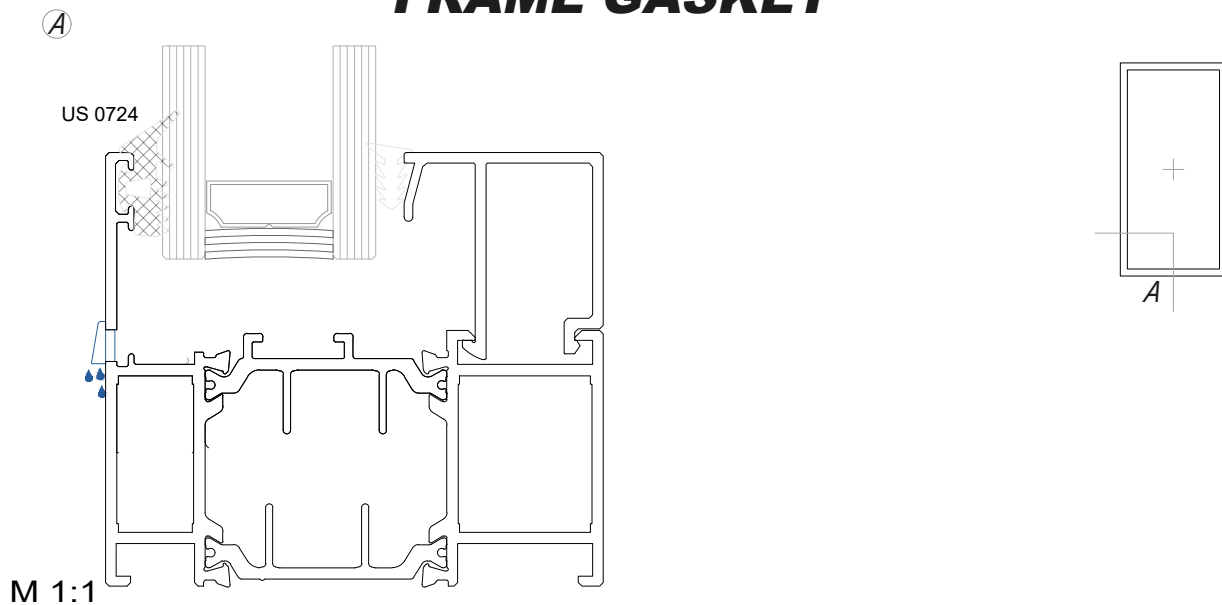
## DRAINAGE



Pattern of cutting  
of US 0723  
EPDM gasket

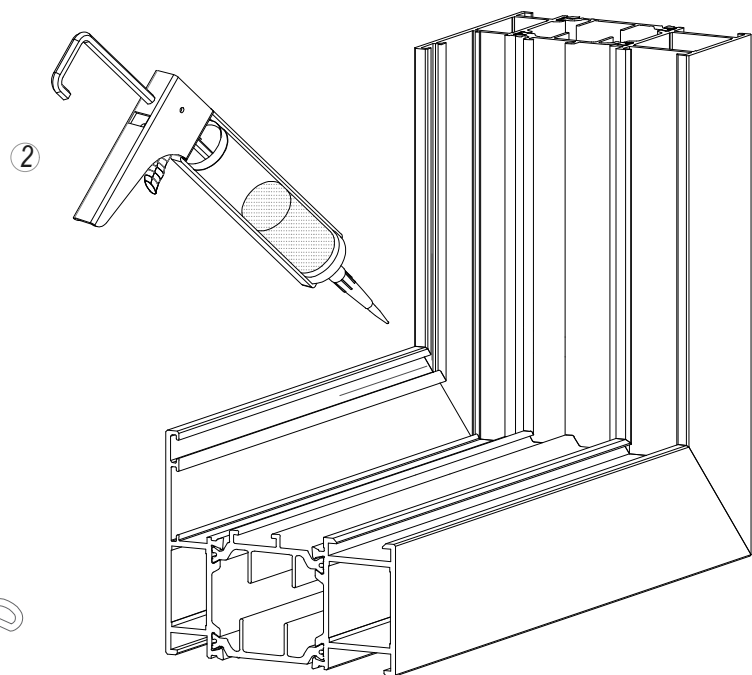
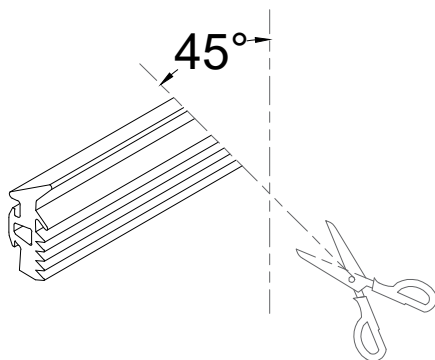


## **CUTTING AND GLUING FRAME GASKET**

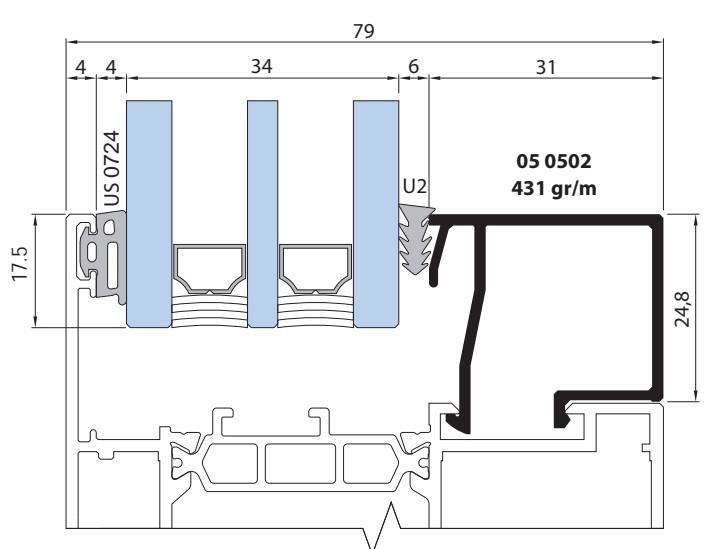
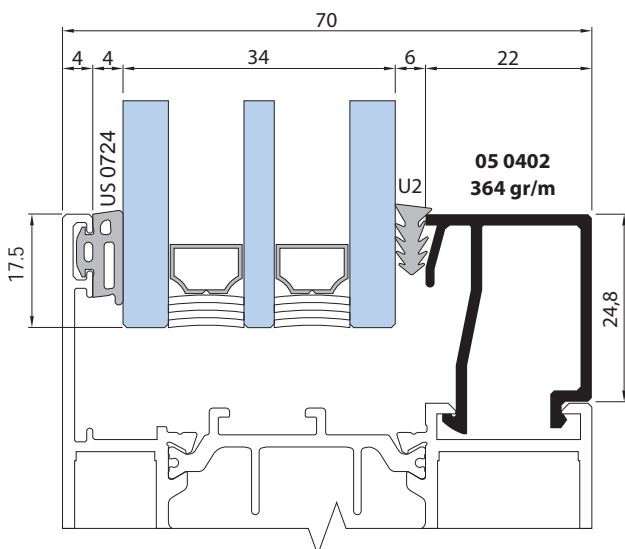
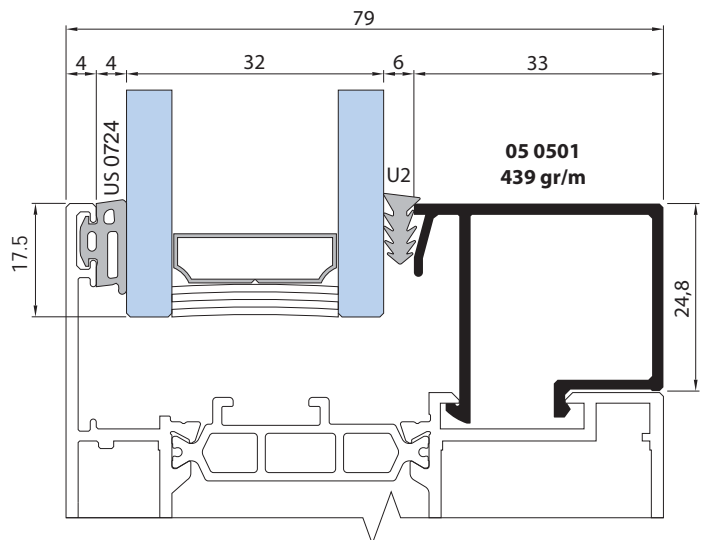
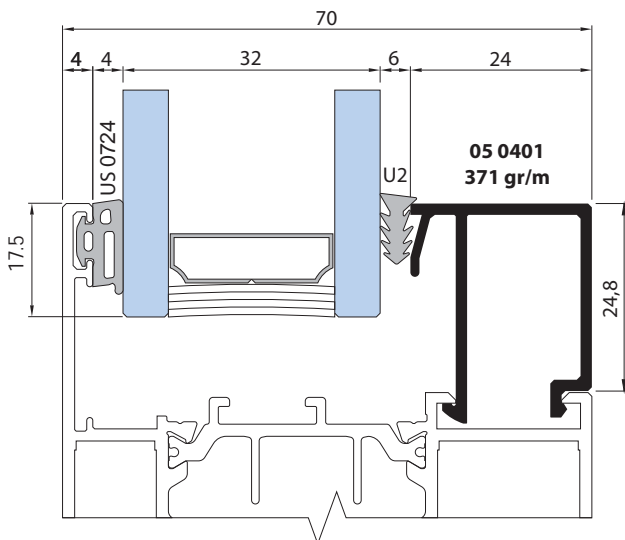
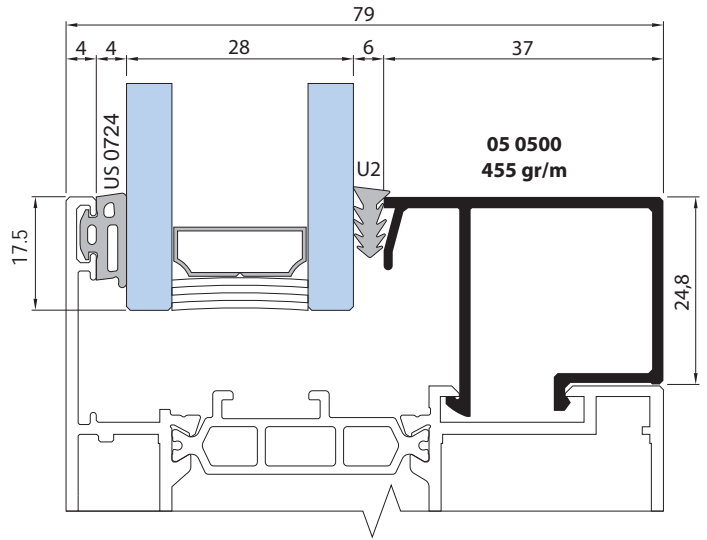
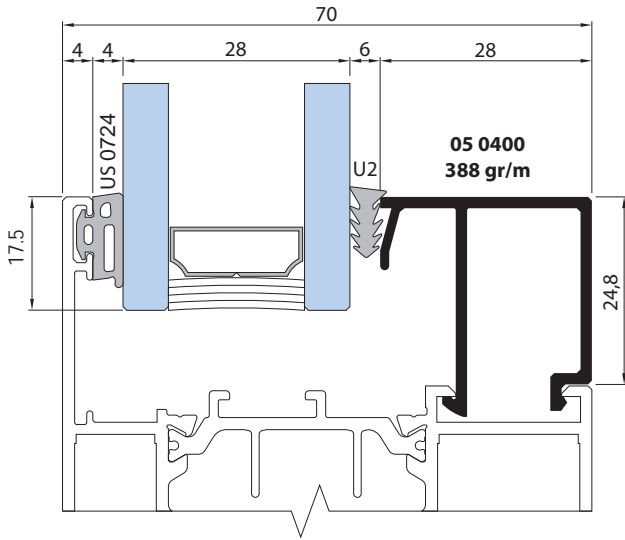


Apply glue code LSK144 to highlighted edges

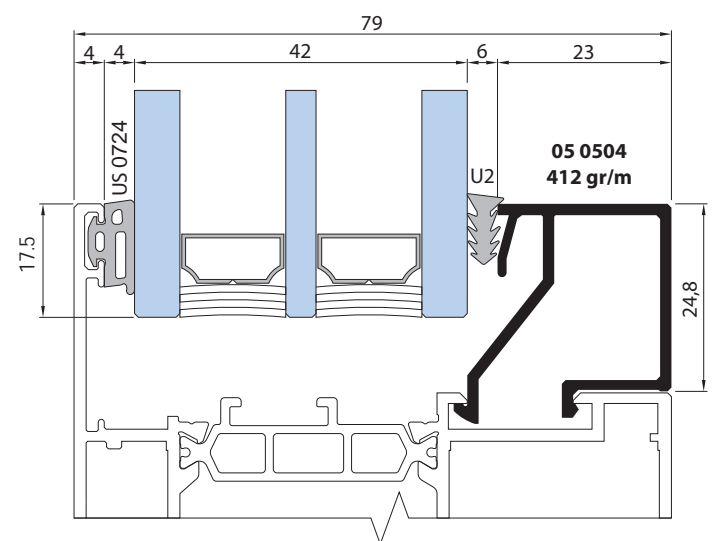
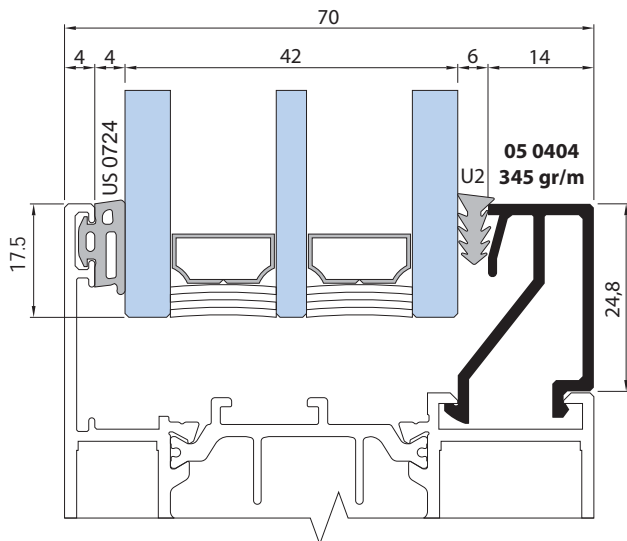
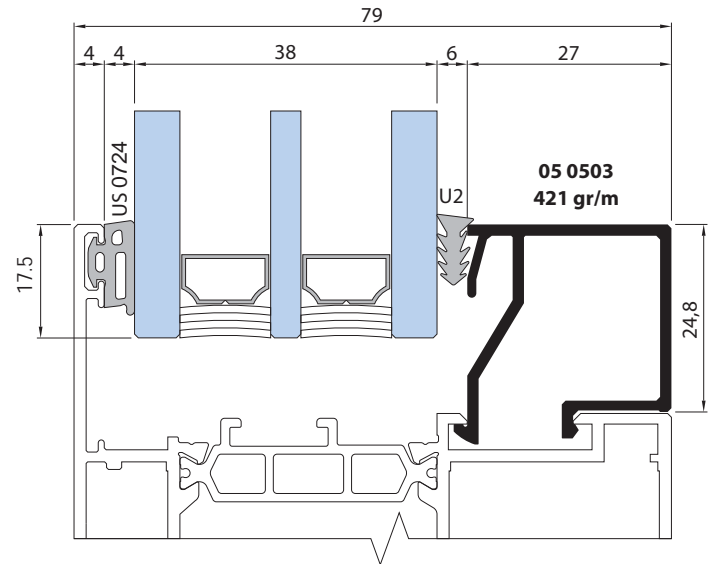
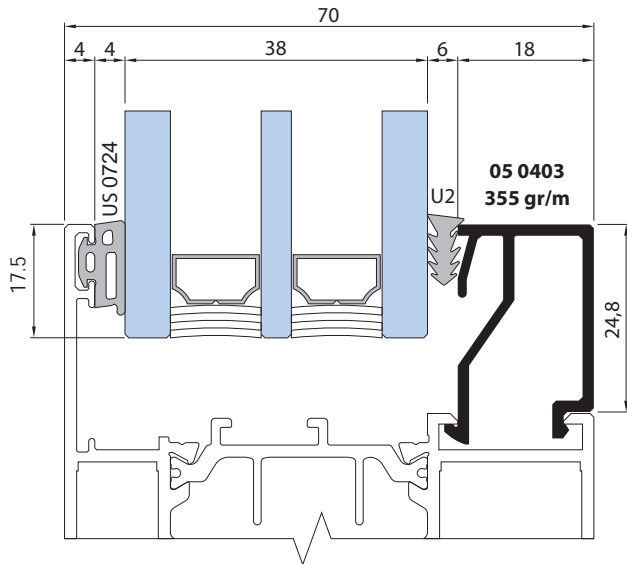
①  
Cutting  
of US 0724 EPDM gasket



## GLAZING OPTIONS



## GLAZING OPTIONS



**DOORS**

**ASPECT SECTIONS**

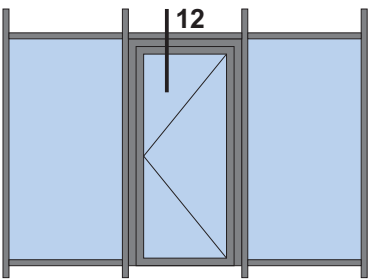
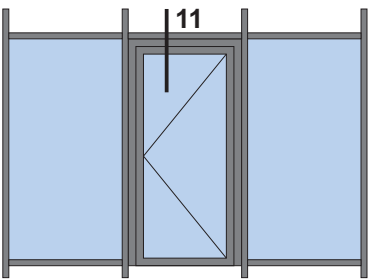
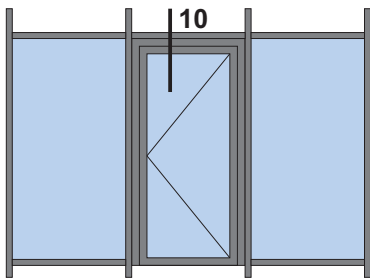
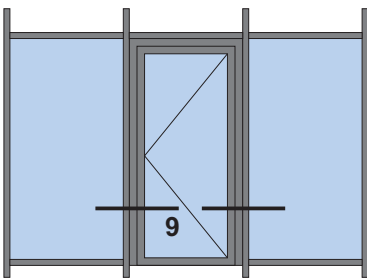
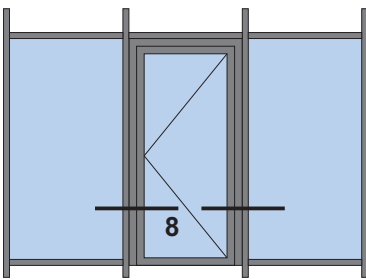
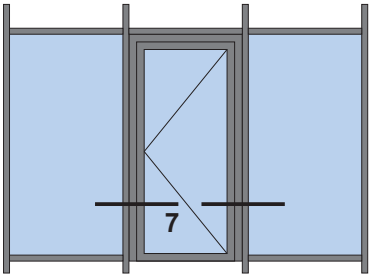
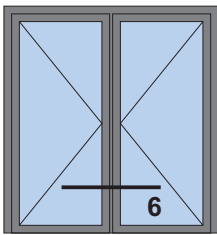
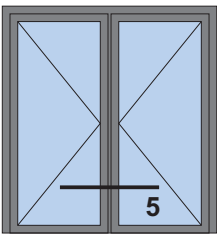
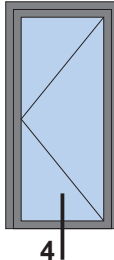
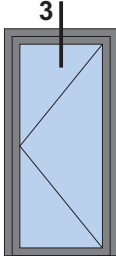
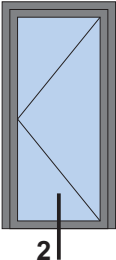
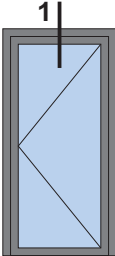
**DOORS SECTIONS**

**GLAZING OPTIONS**

**PANEL DOORS**

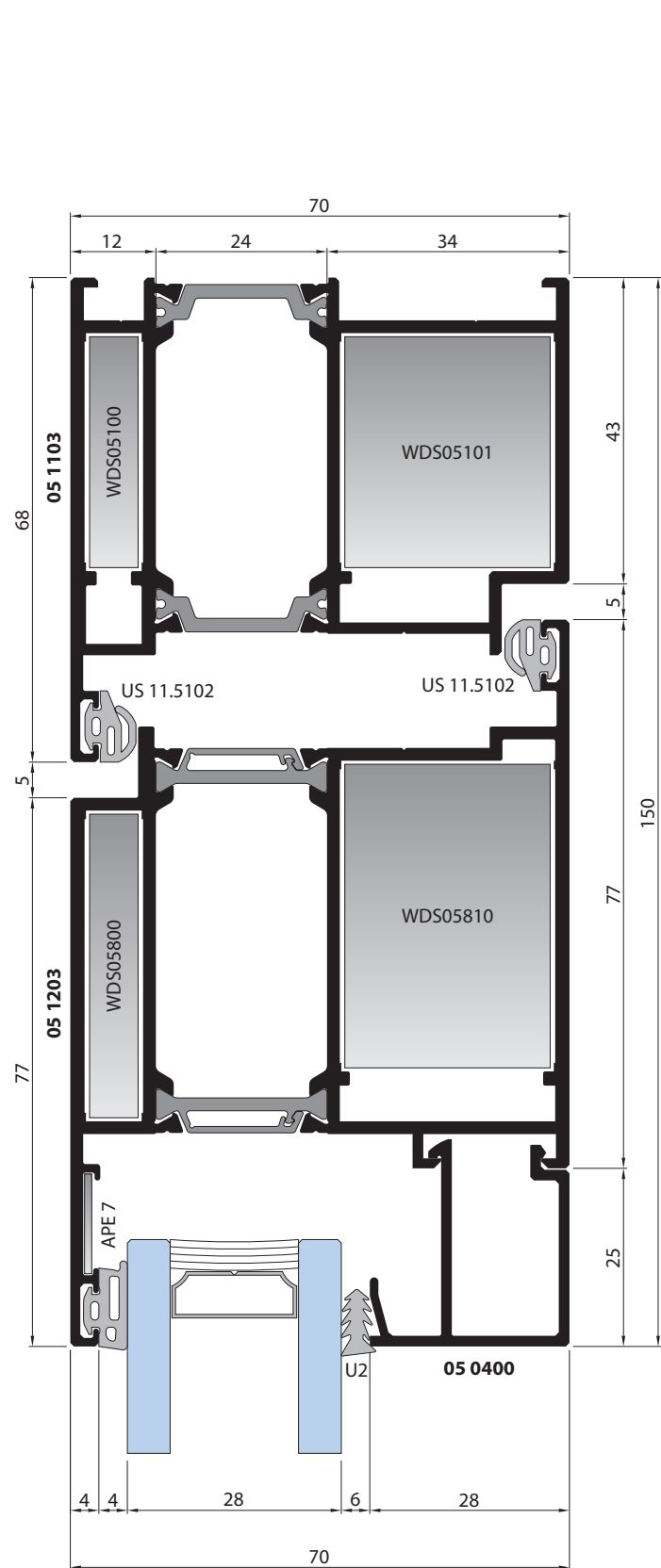
---

**ASPECT SECTIONS**

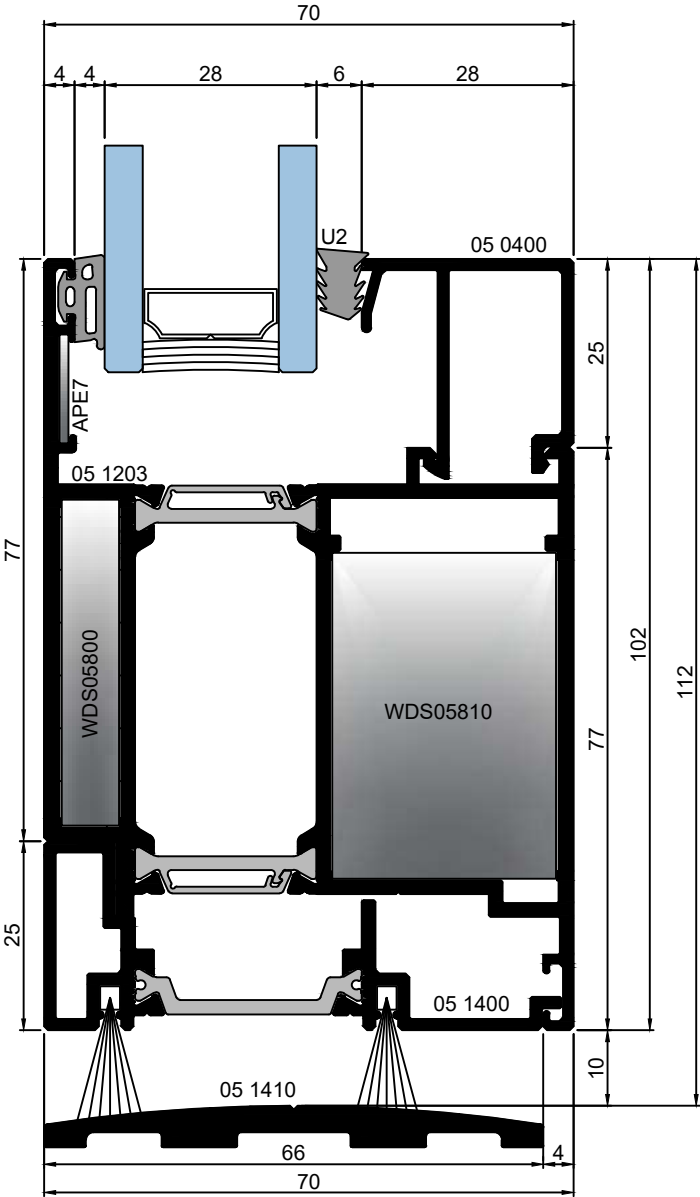
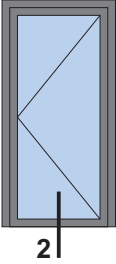




## DOORS SECTIONS

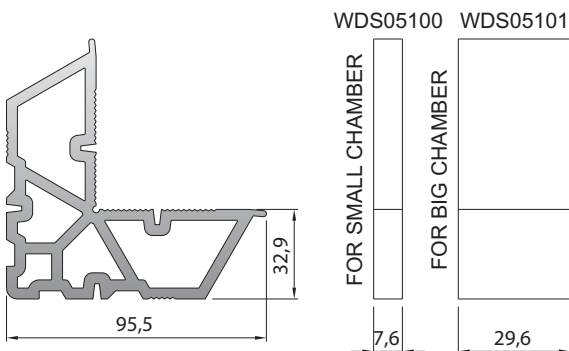
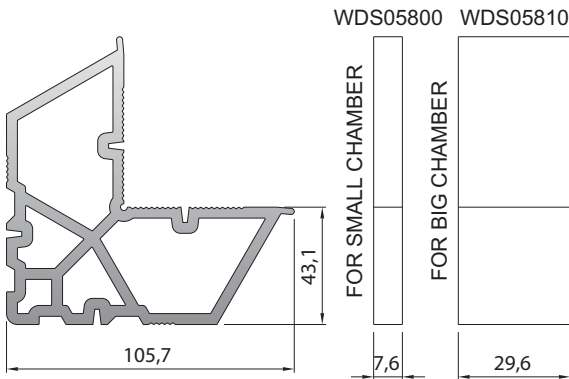
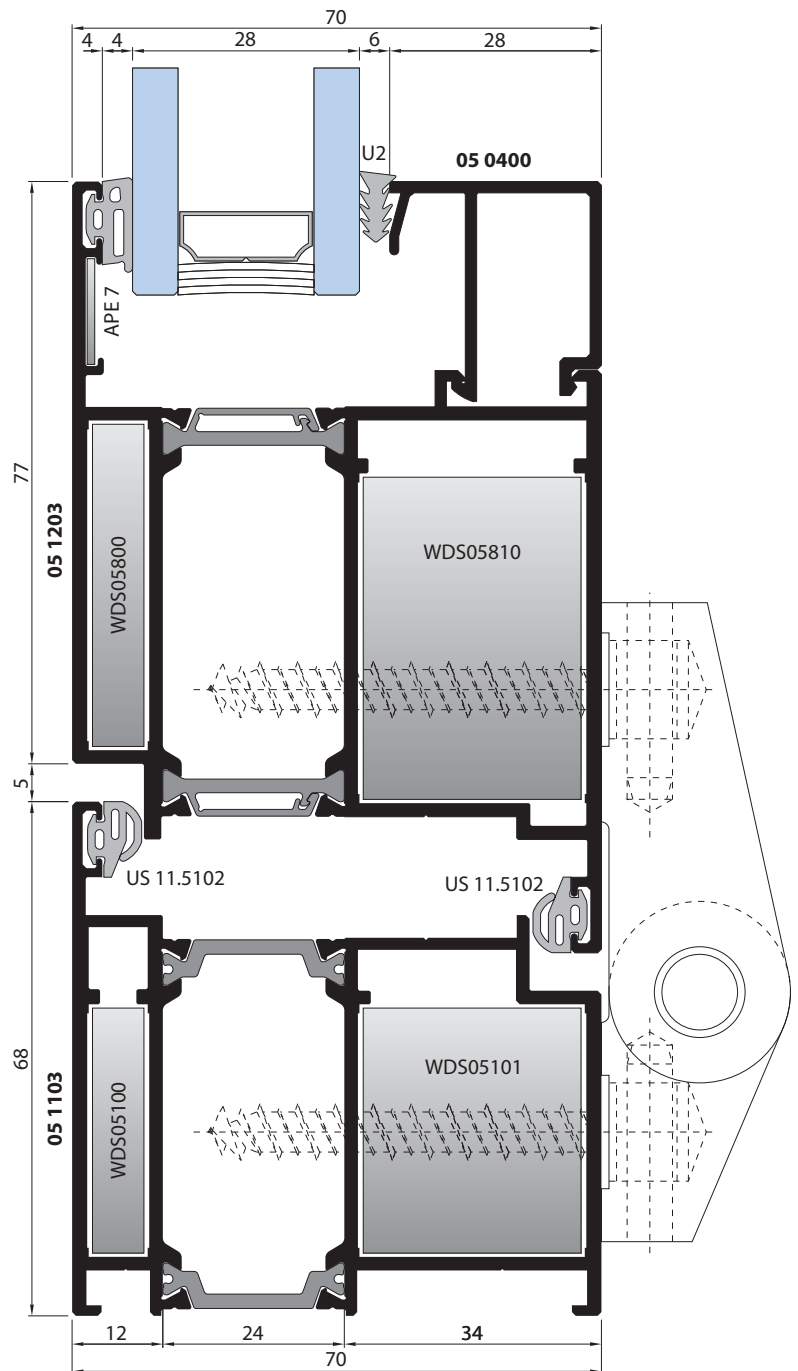
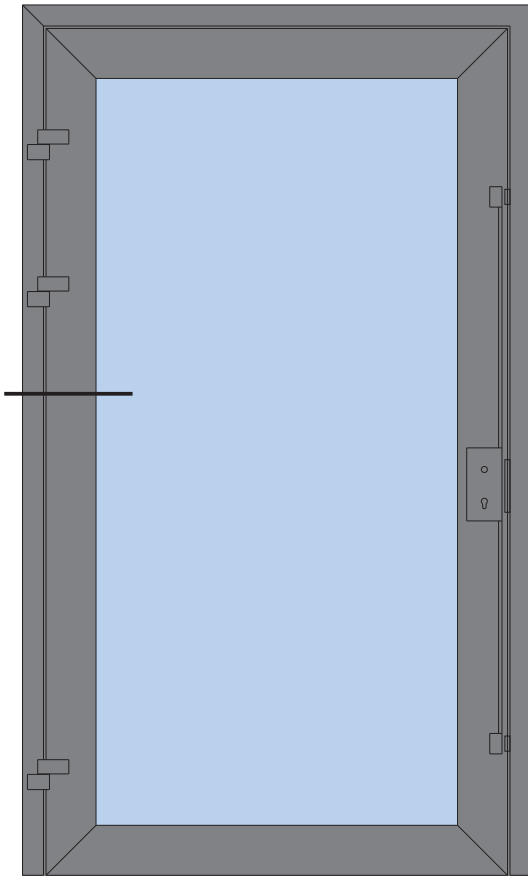


## DOORS SECTIONS



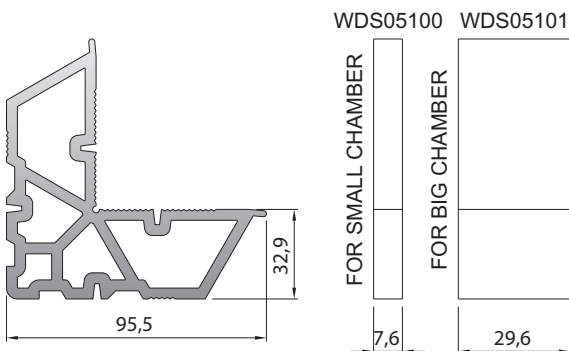
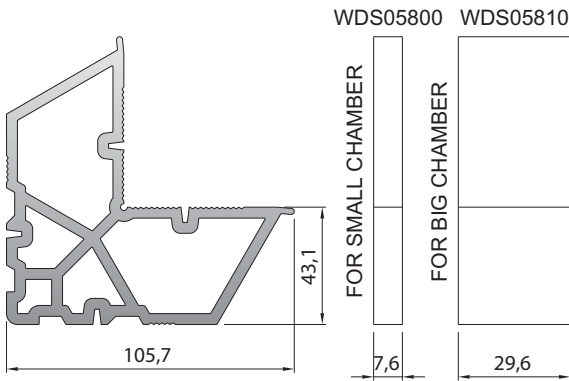
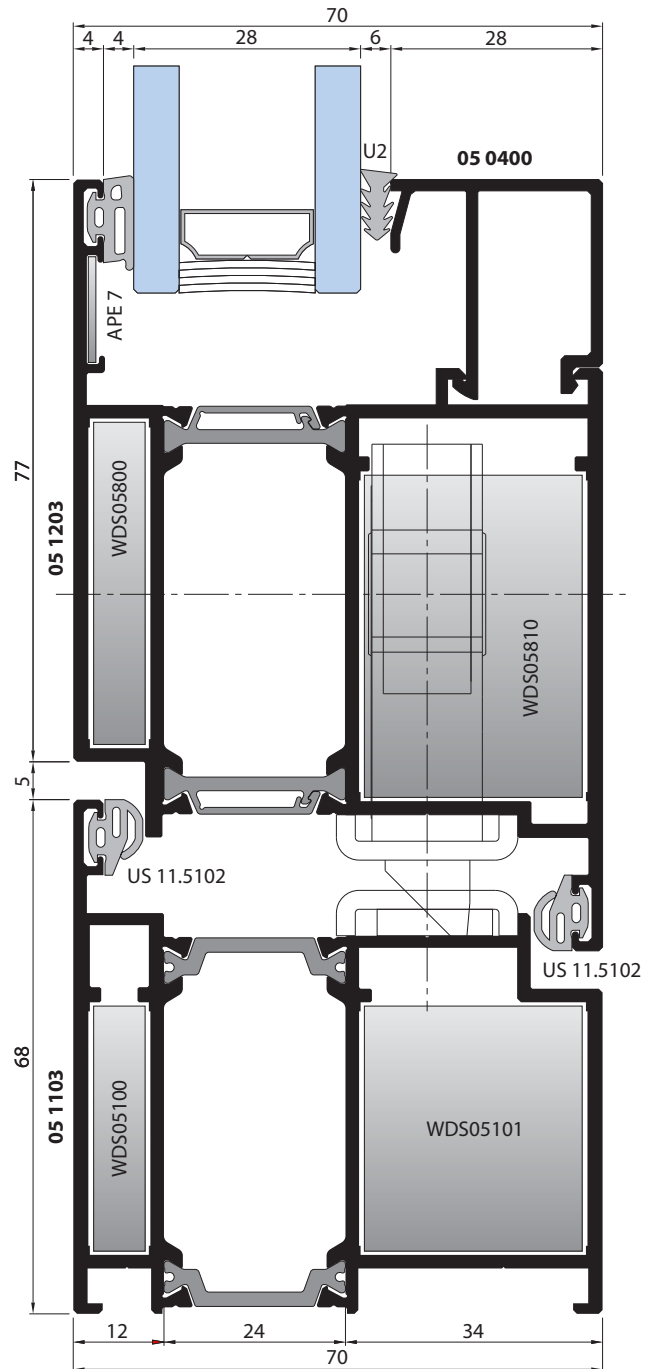
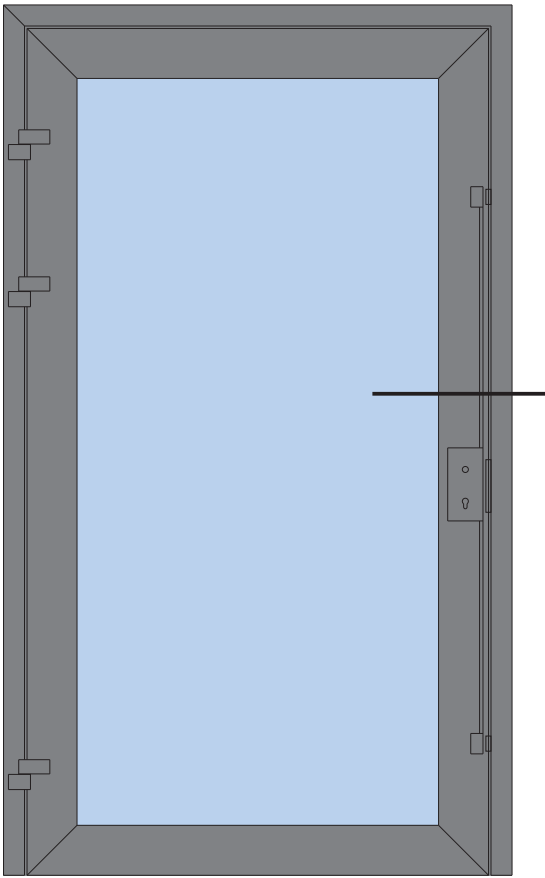
# Series WDS 70

## DOORS SECTIONS

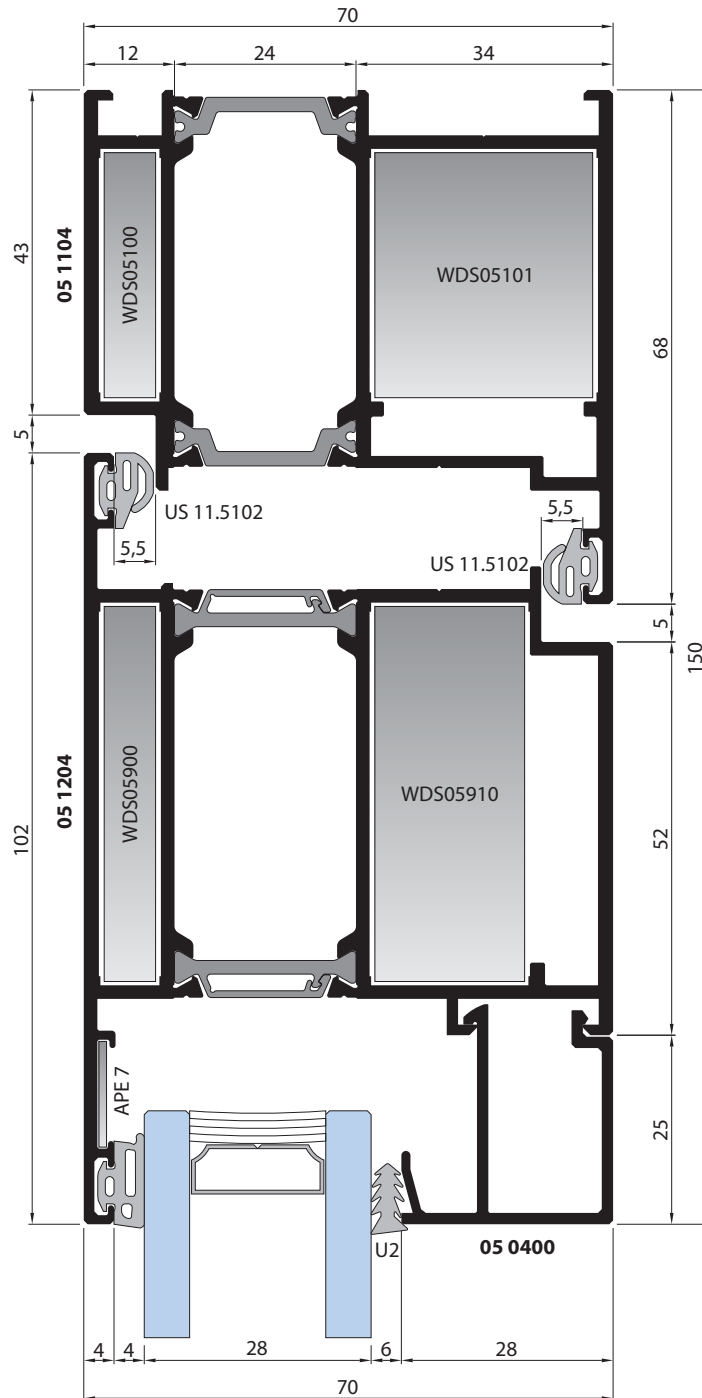
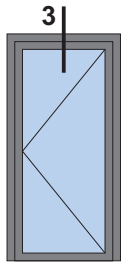


# Series WDS 70

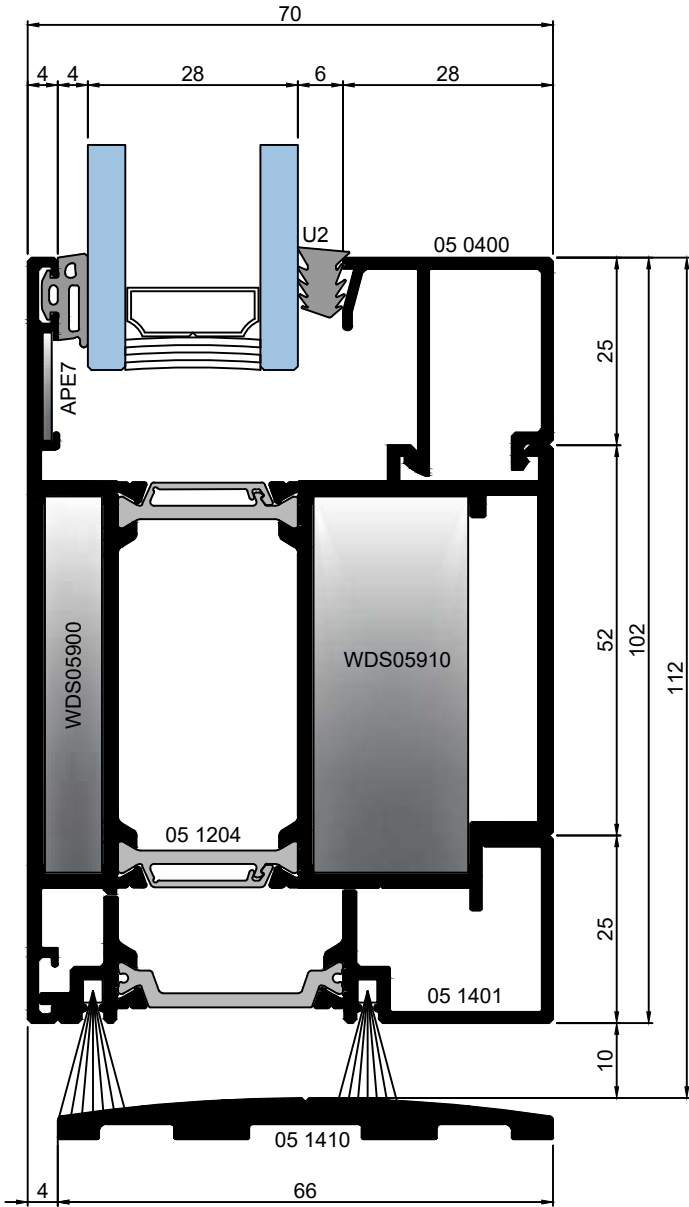
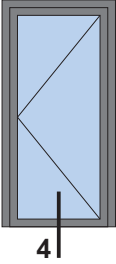
## DOORS SECTIONS



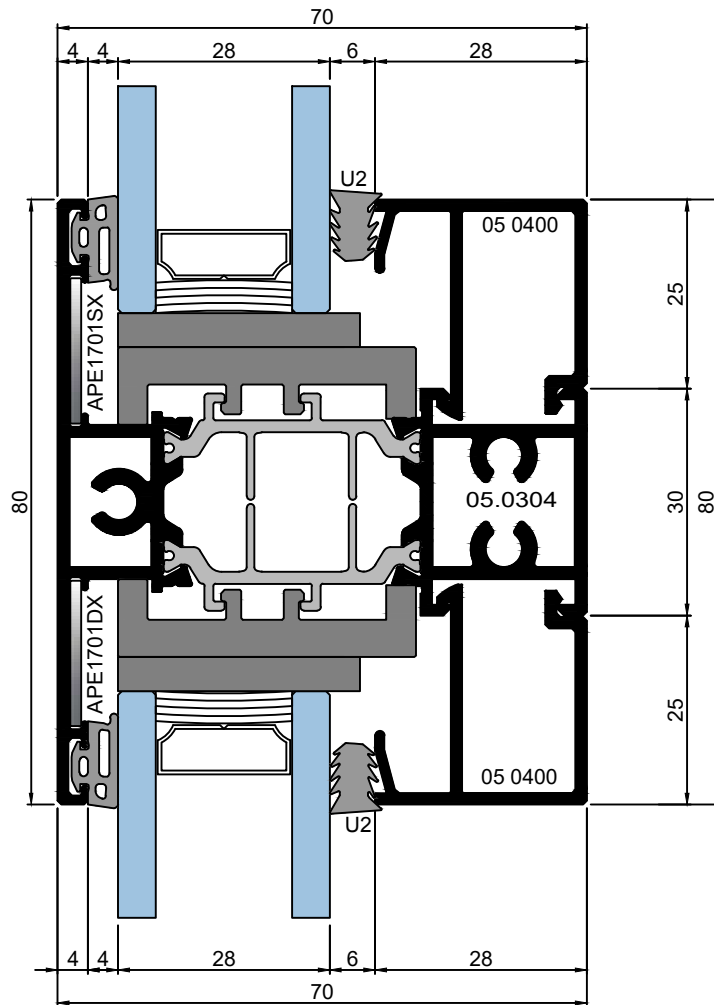
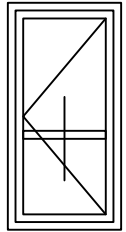
## DOORS SECTIONS



## DOORS SECTIONS

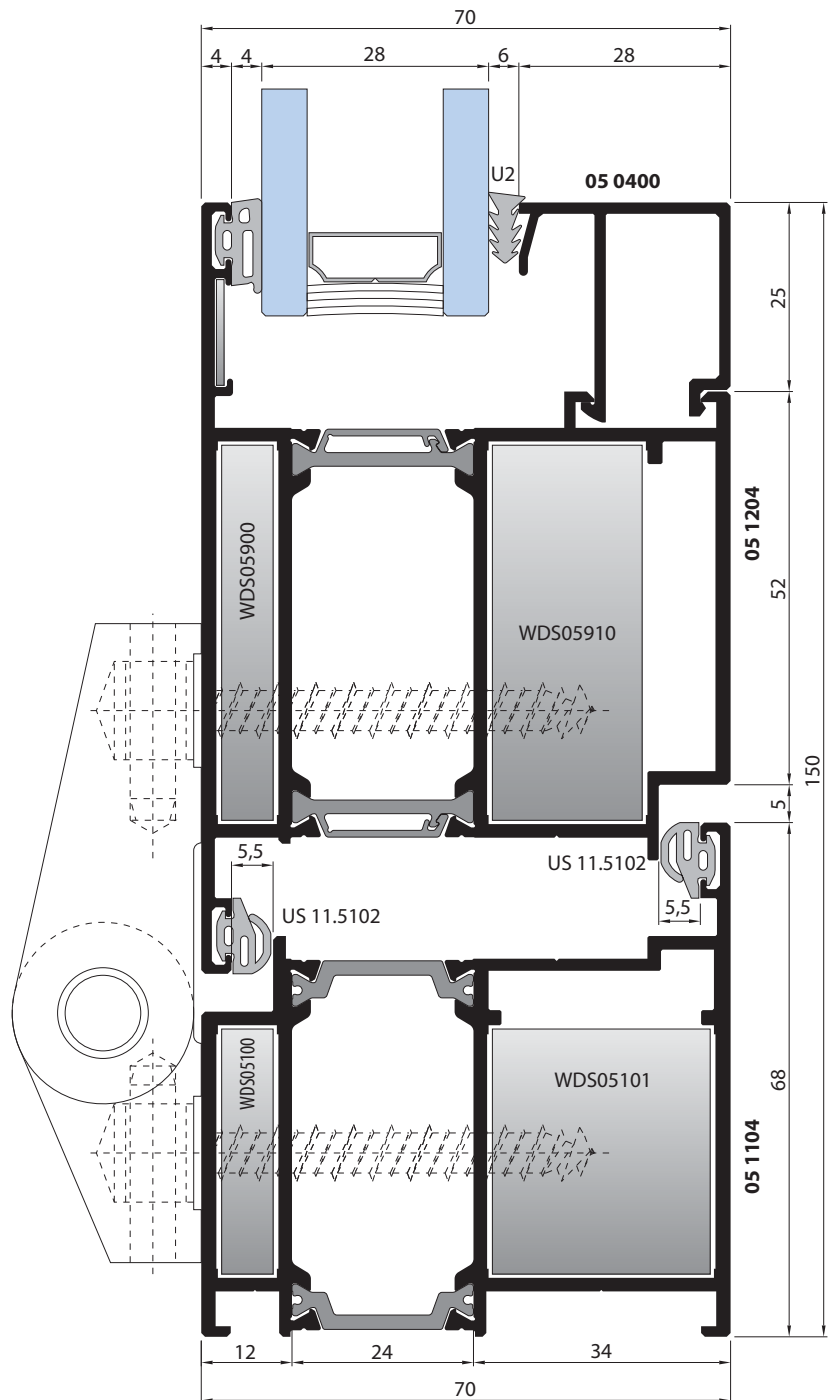
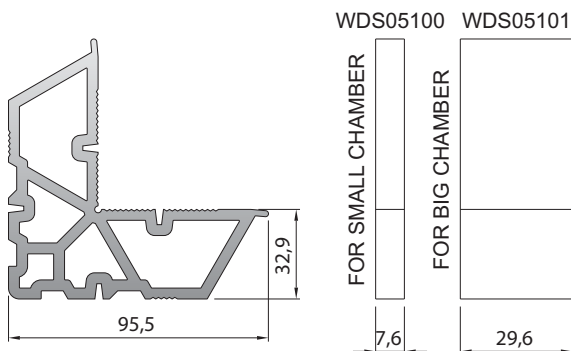
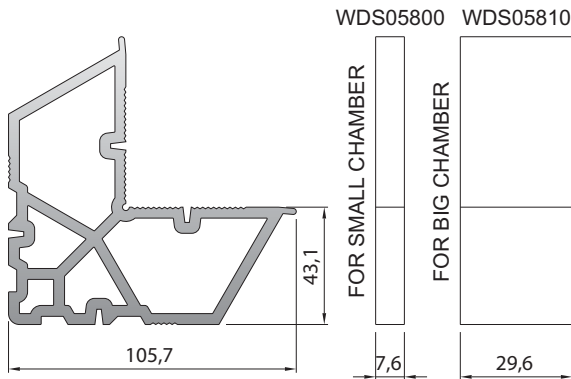
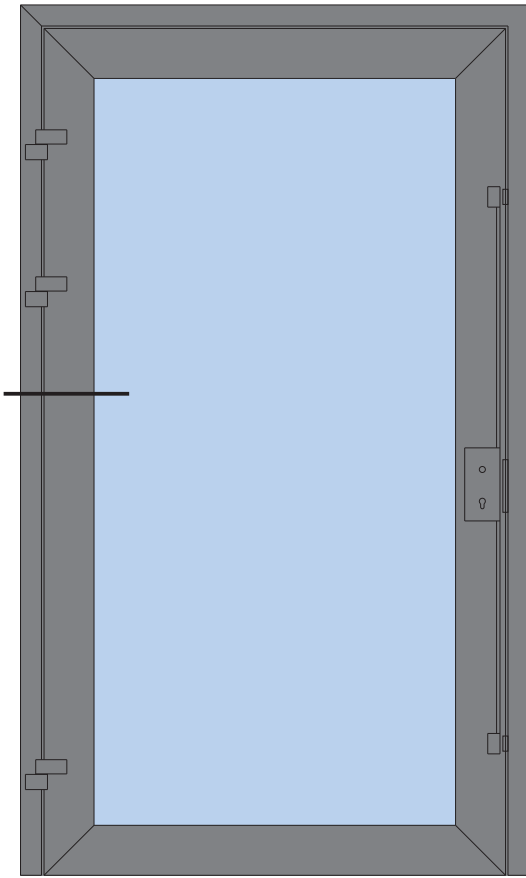


**DOORS SECTIONS**



# Series WDS 70

## DOORS SECTIONS

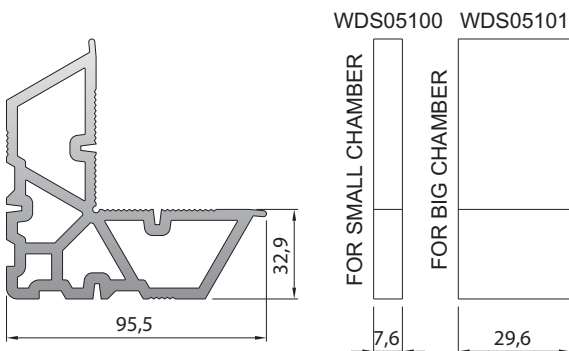
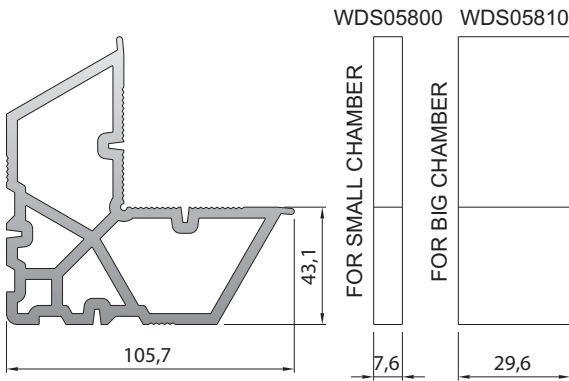
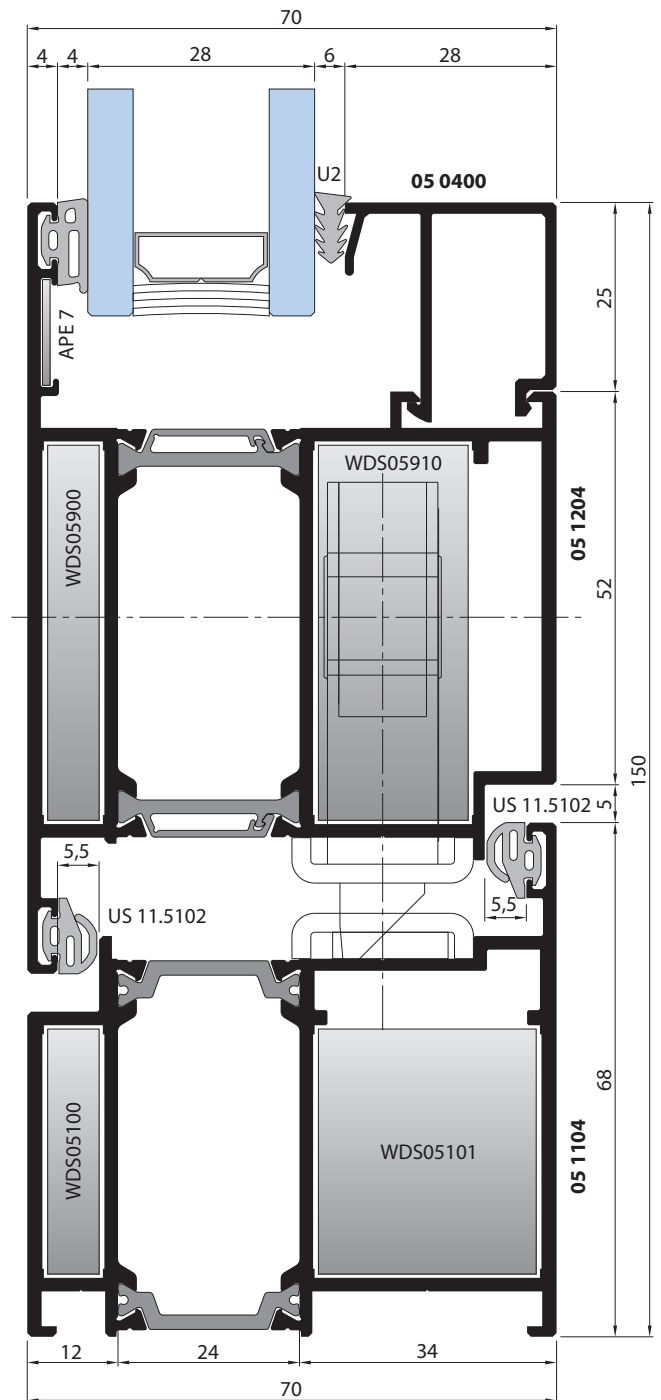
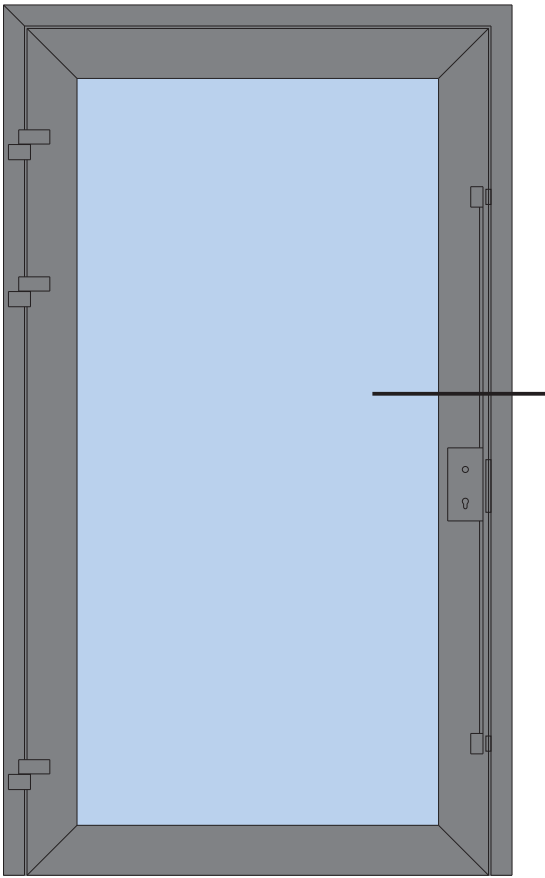


M 1:1

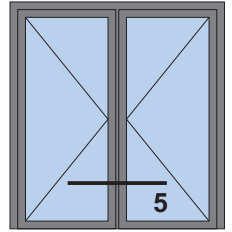
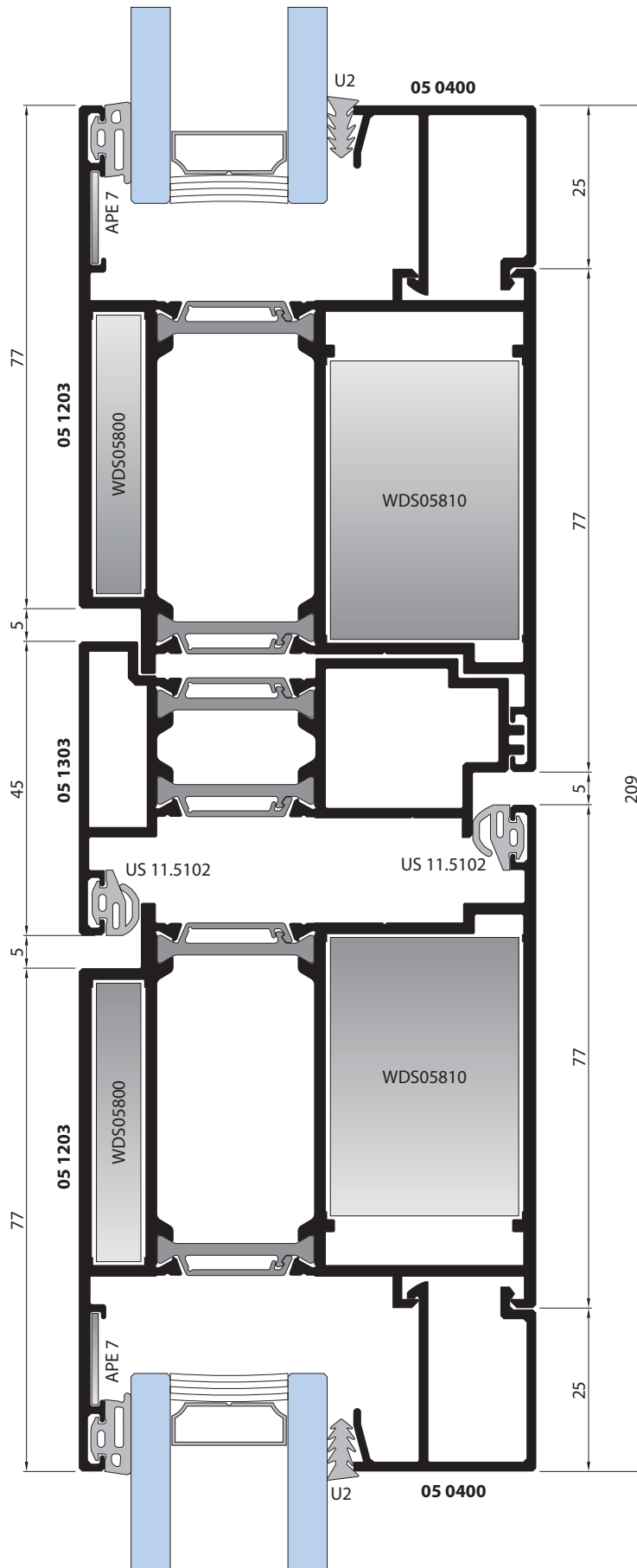


# Series WDS 70

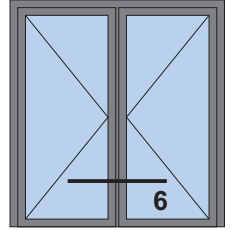
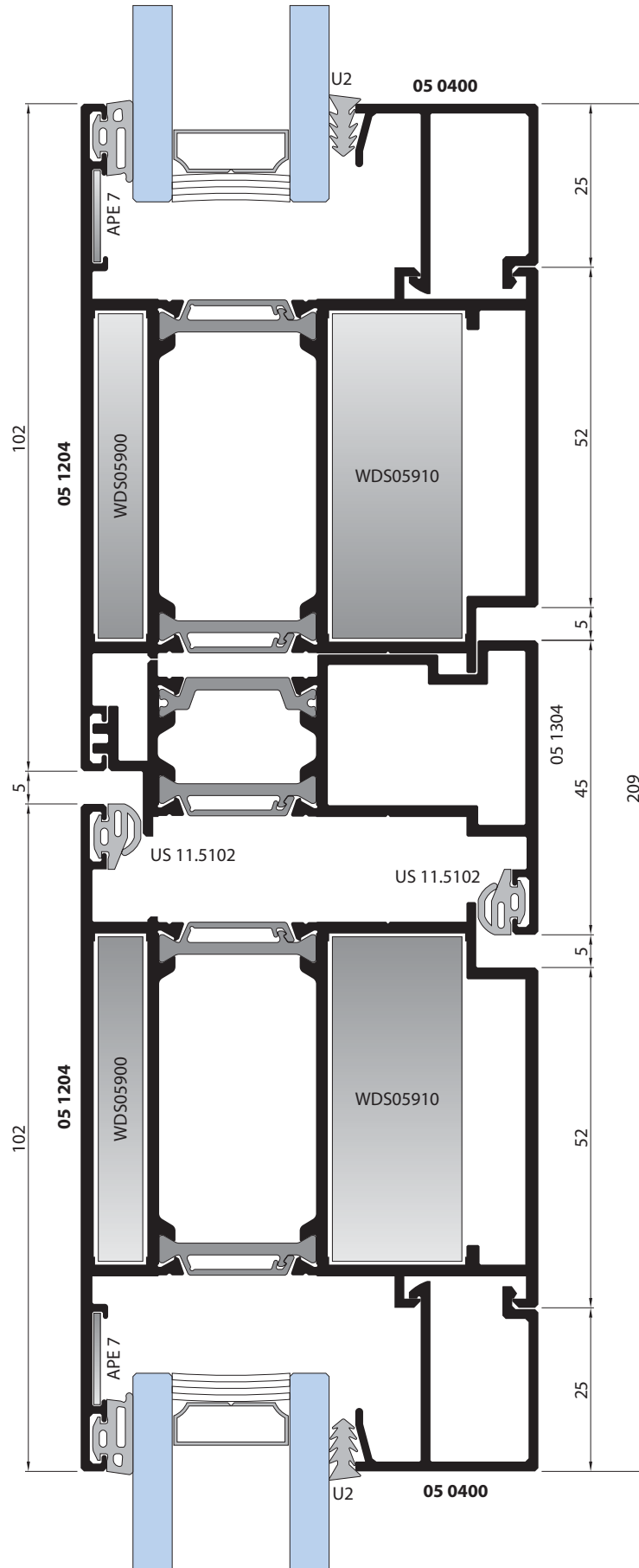
## DOORS SECTIONS



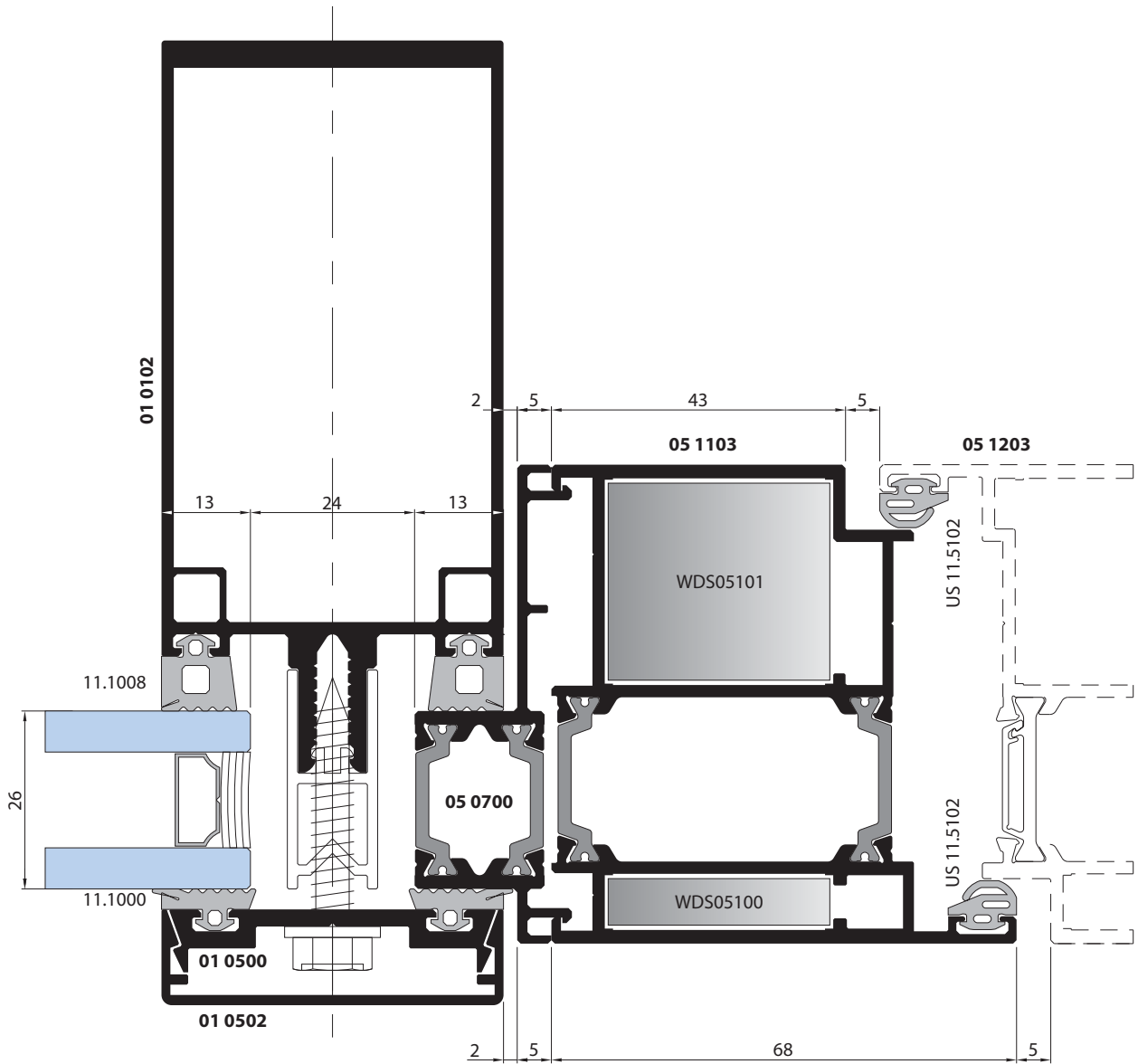
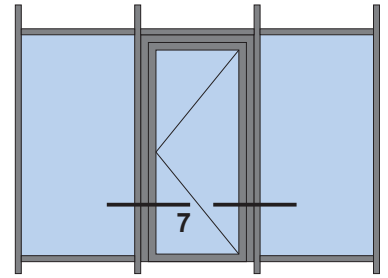
## DOORS SECTIONS



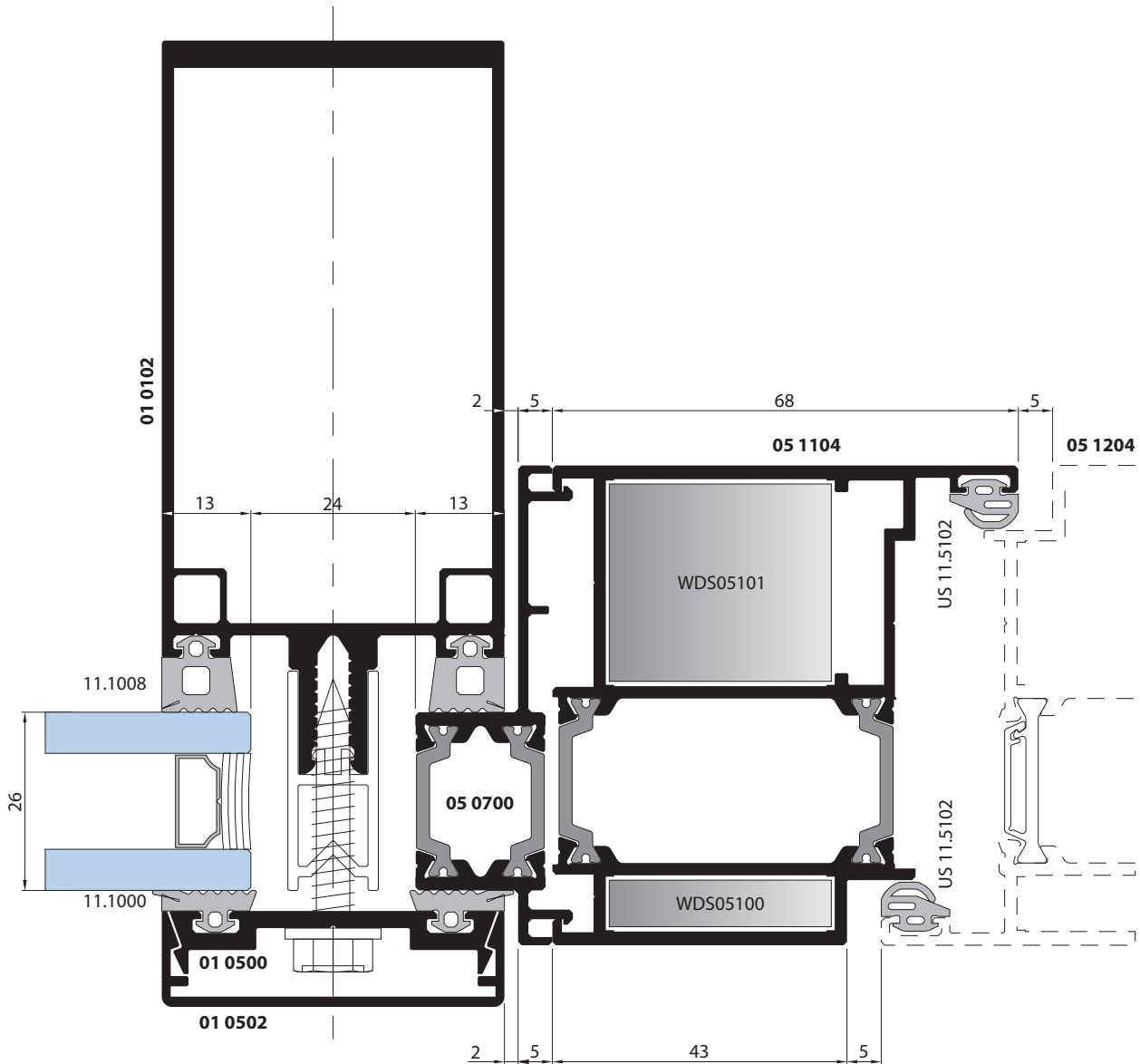
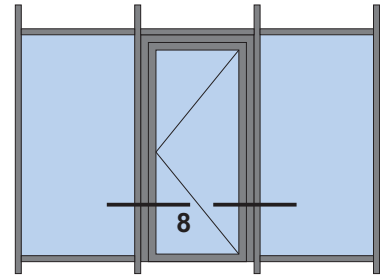
## DOORS SECTIONS



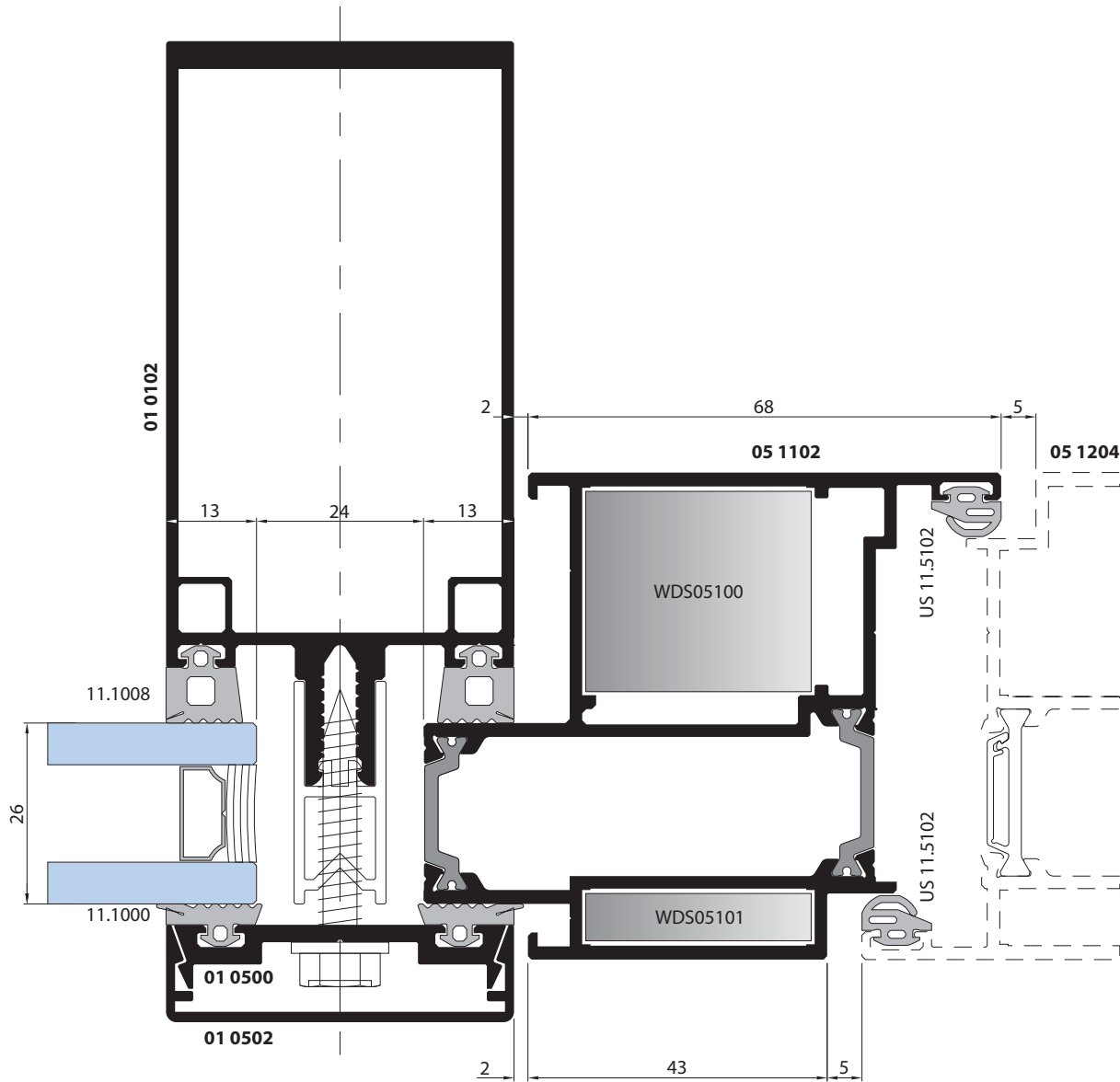
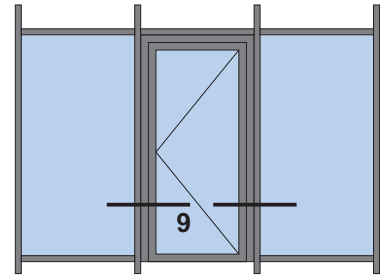
## DOORS SECTIONS



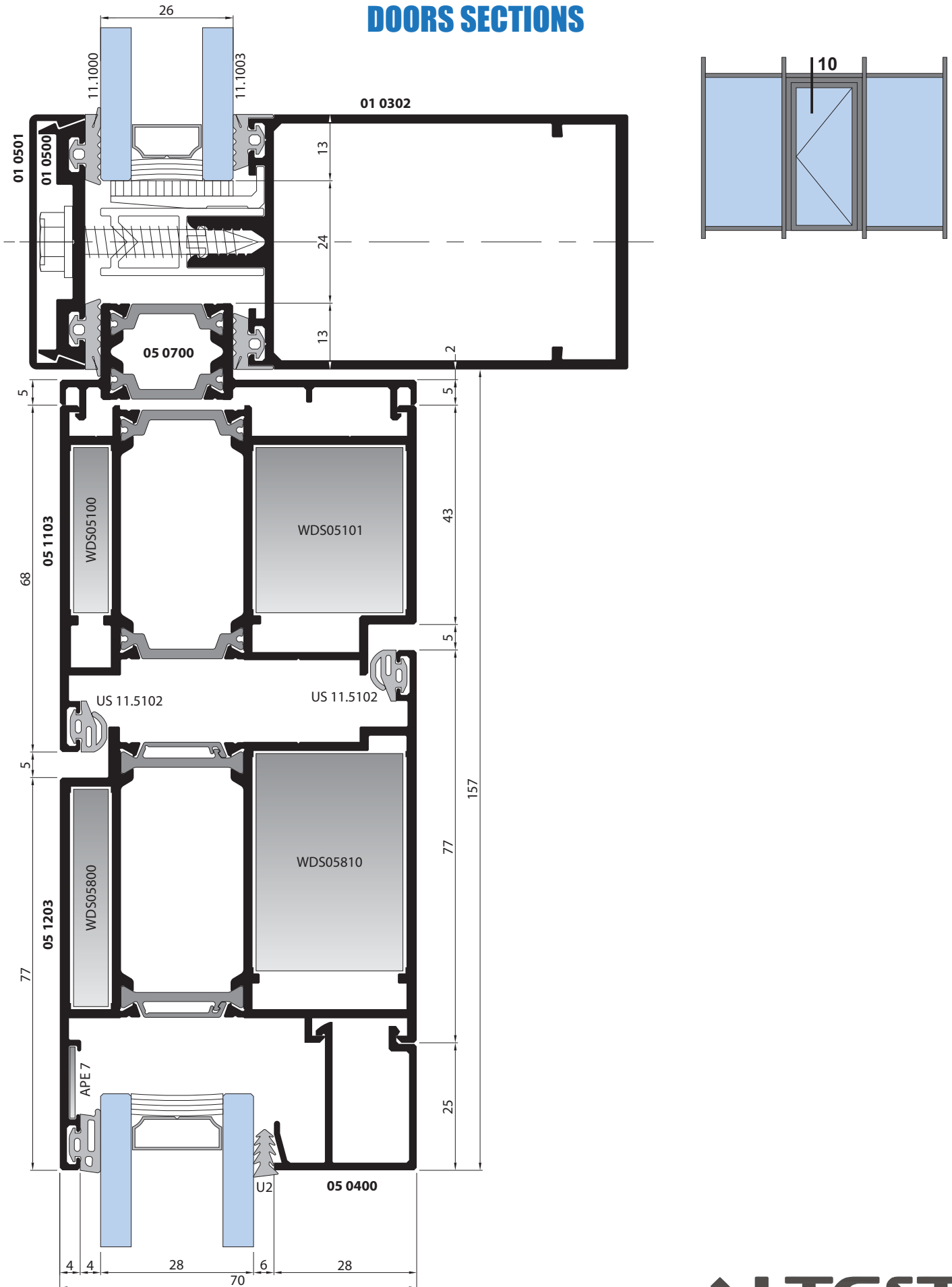
## DOORS SECTIONS



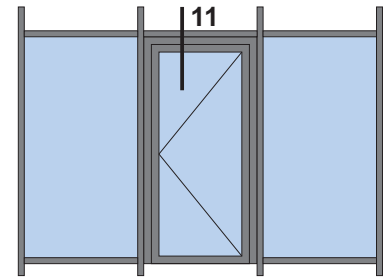
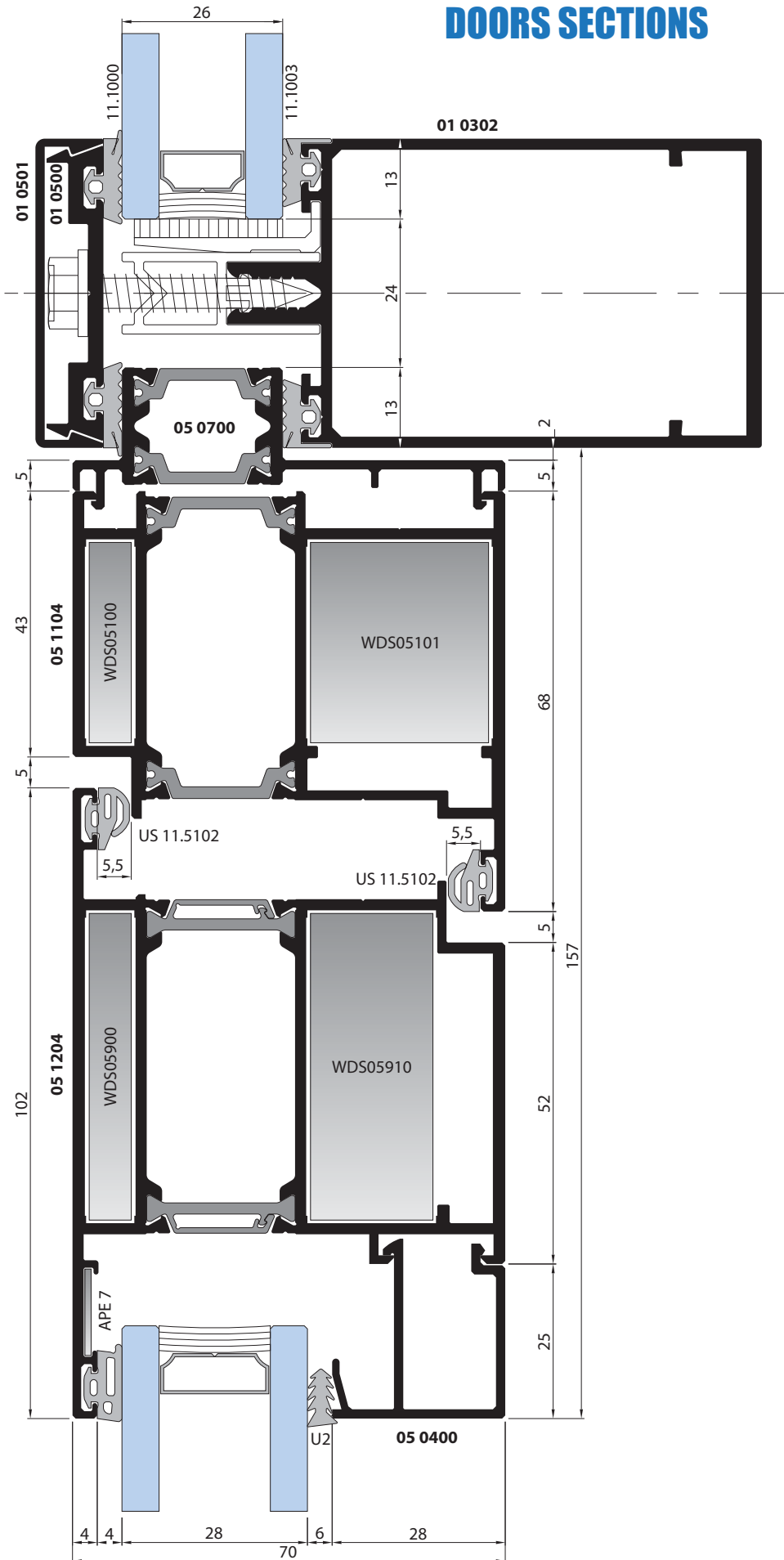
## DOORS SECTIONS



## DOORS SECTIONS

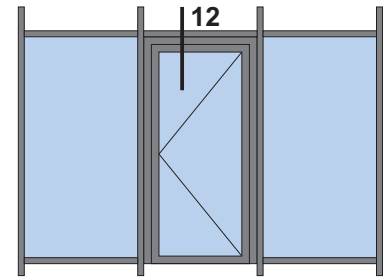
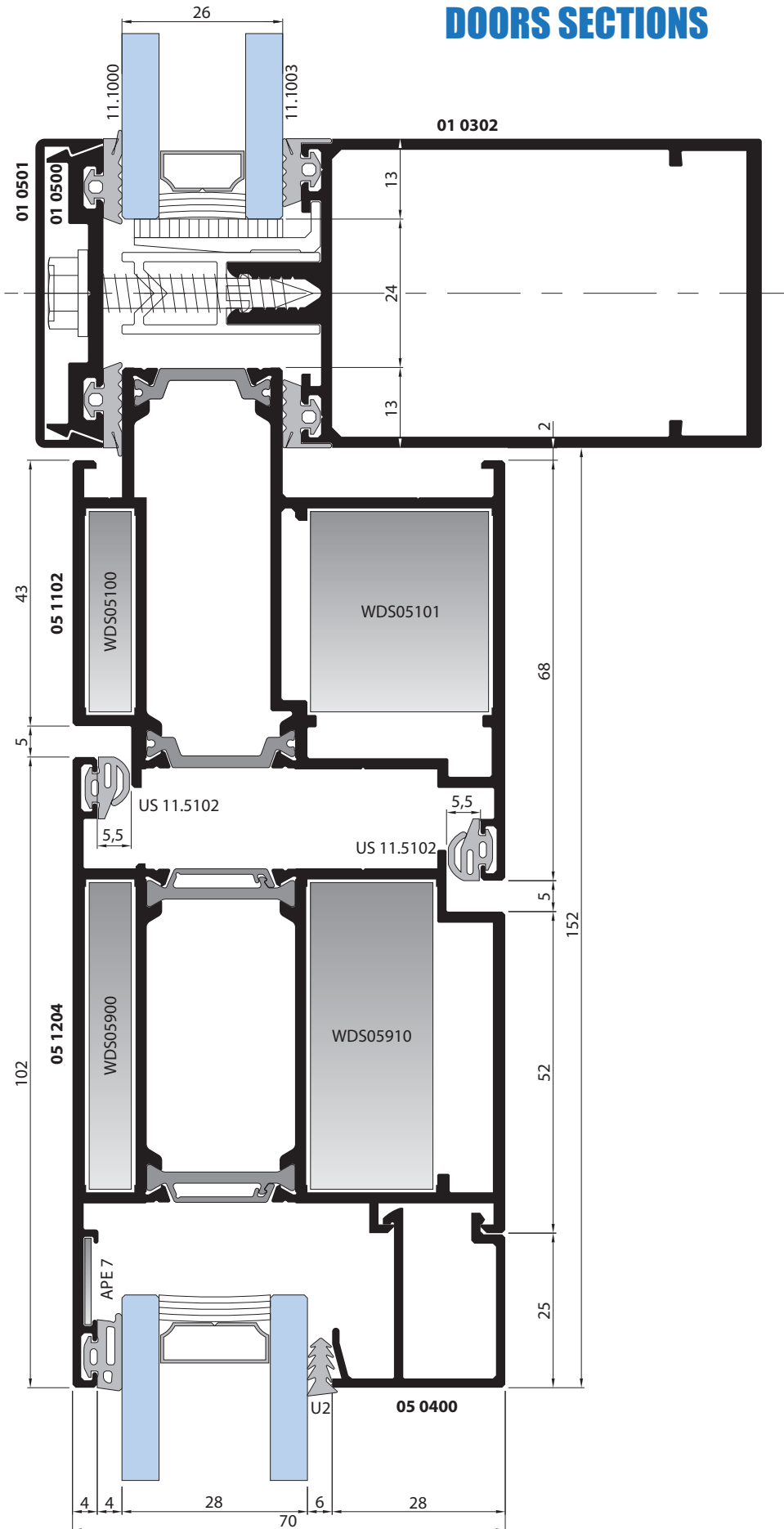


## DOORS SECTIONS

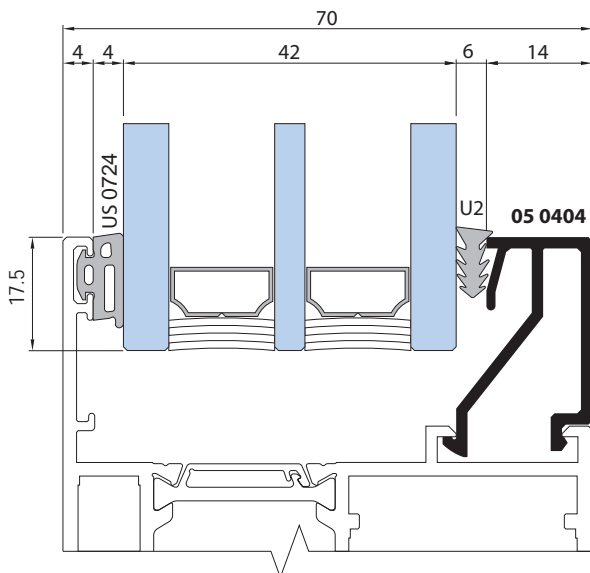
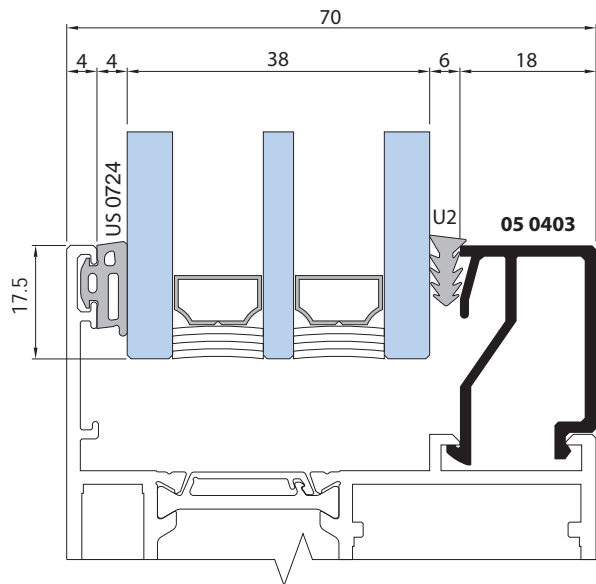
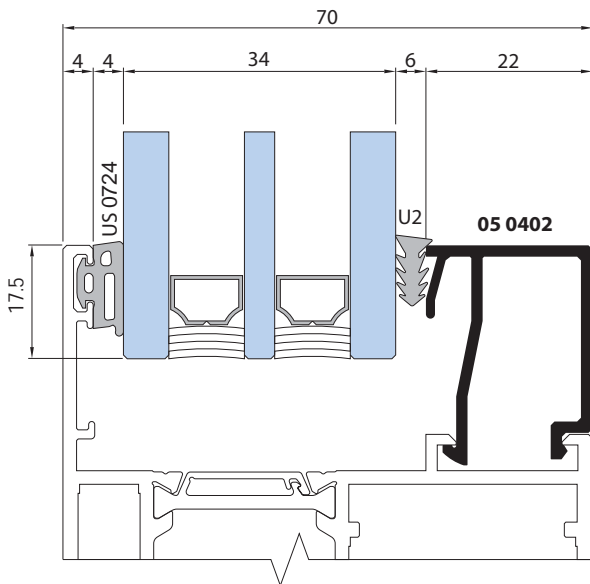
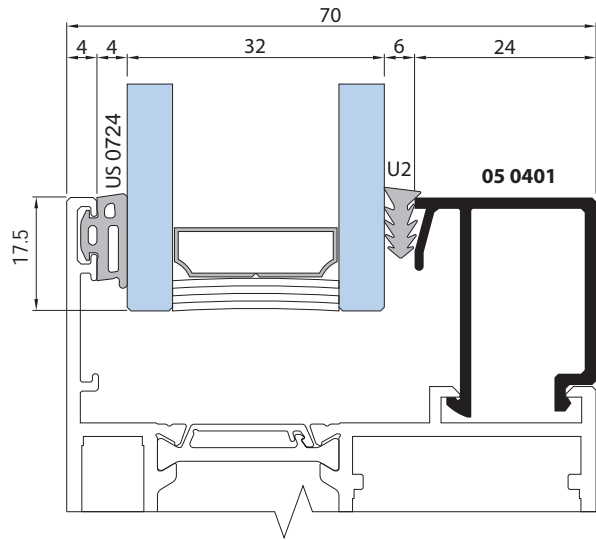
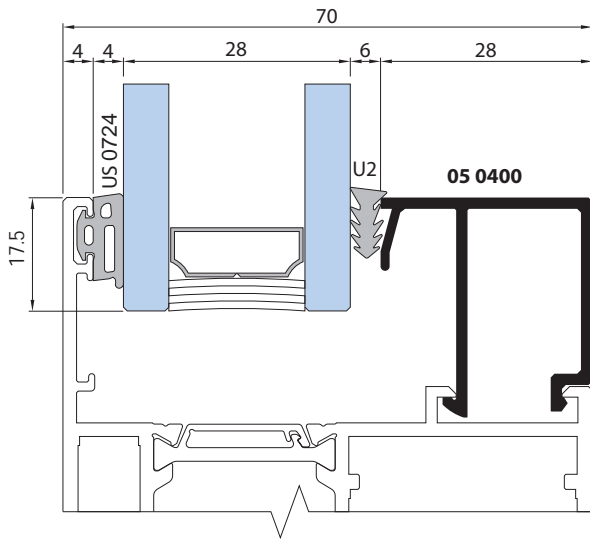




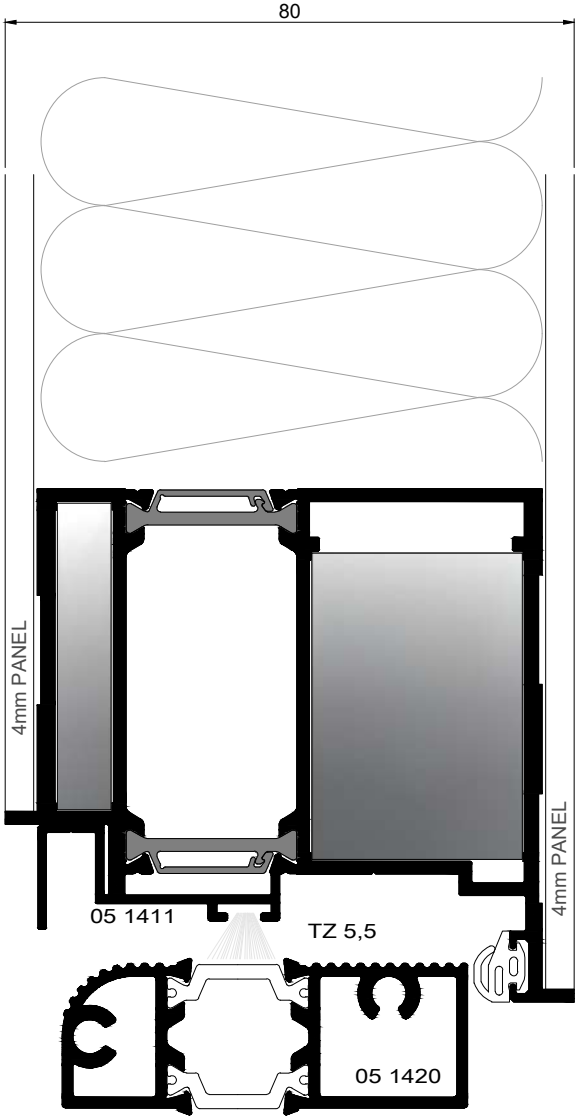
## DOORS SECTIONS



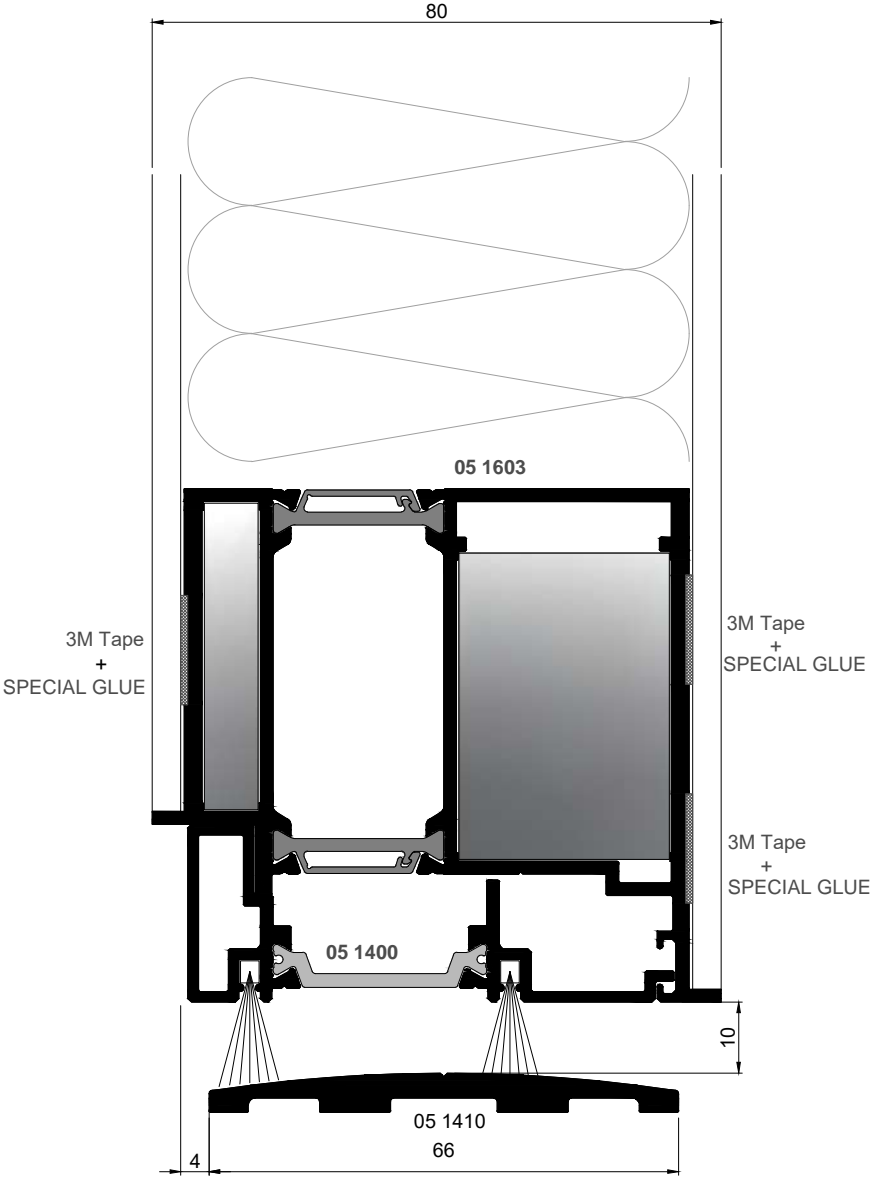
## GLAZING OPTIONS



**PANEL DOORS SECTIONS**

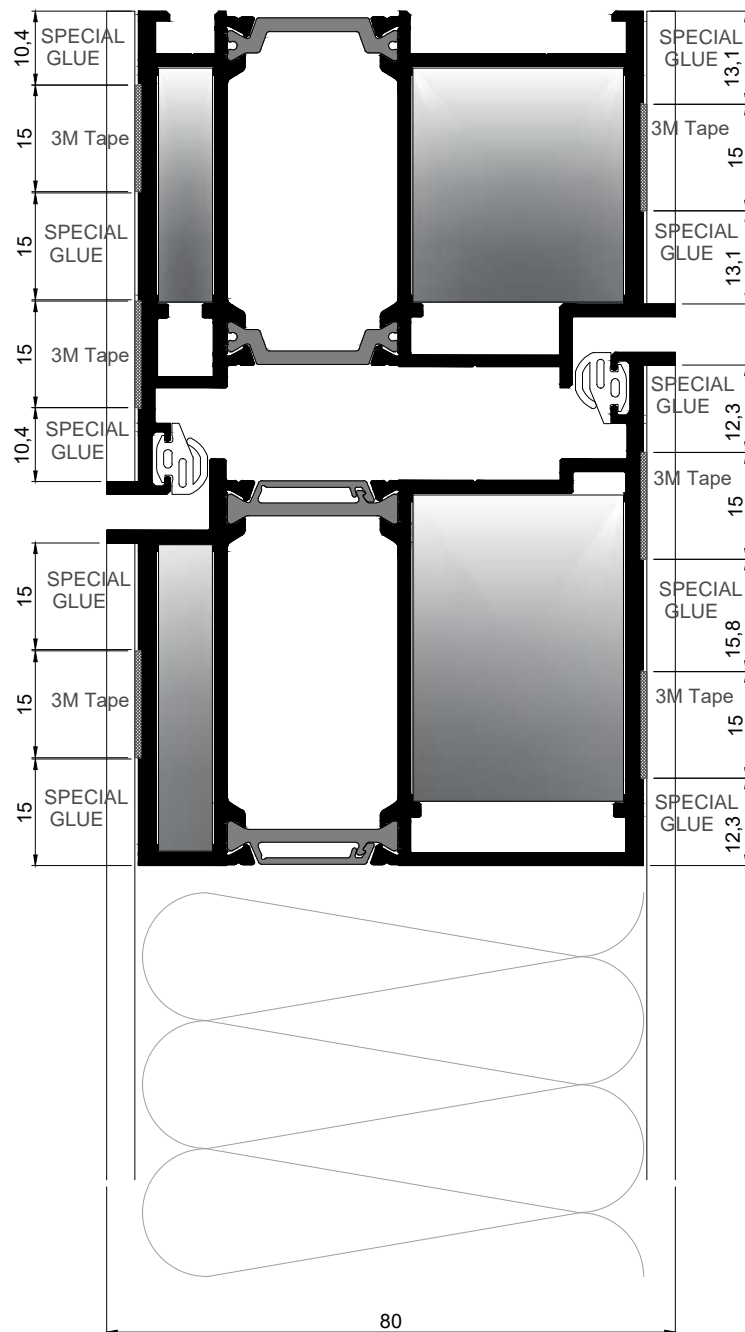


**PANEL DOORS SECTIONS**



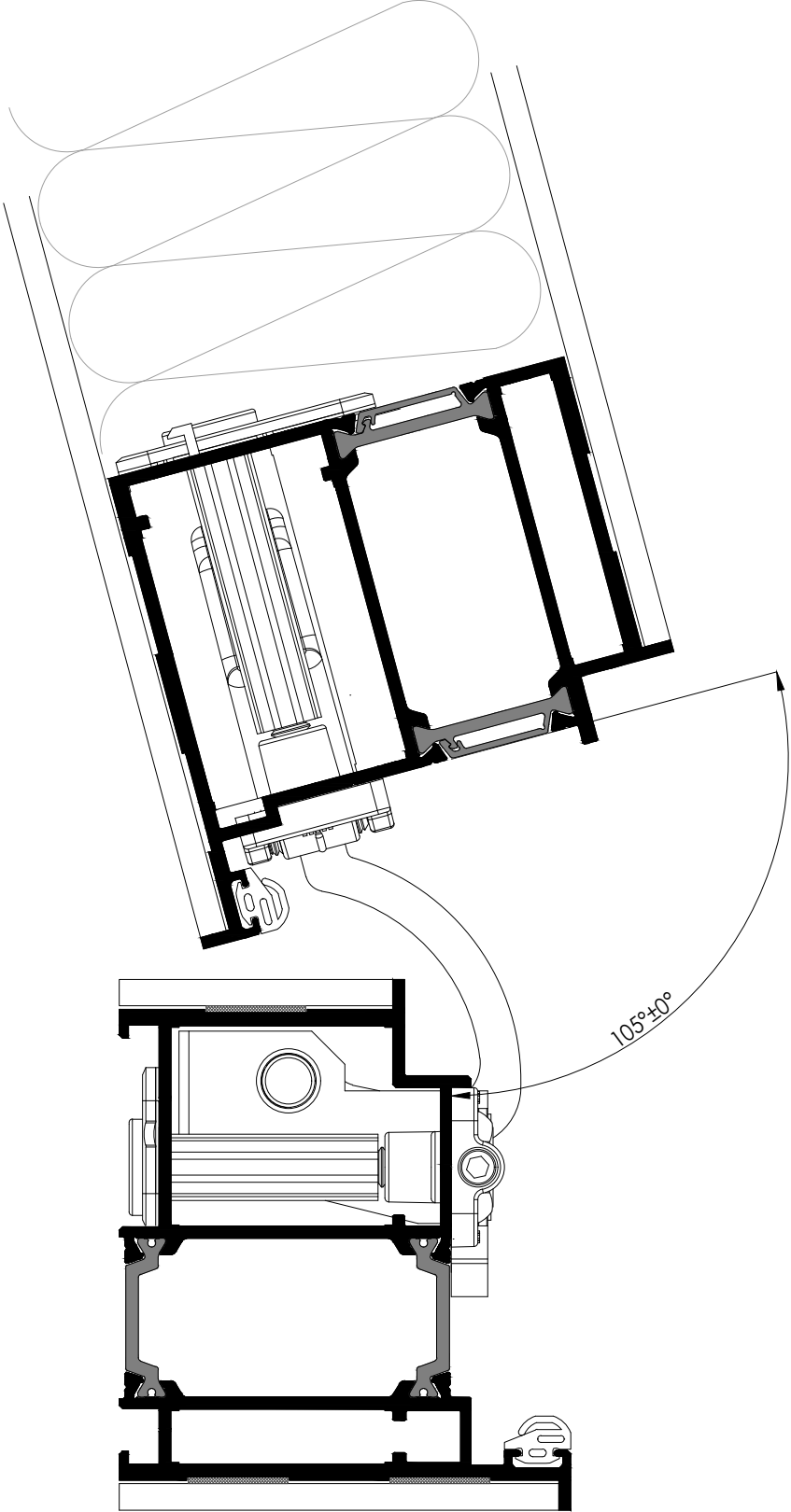
## PANEL DOORS SECTIONS

Apply 3M Tape and glue for panel connection



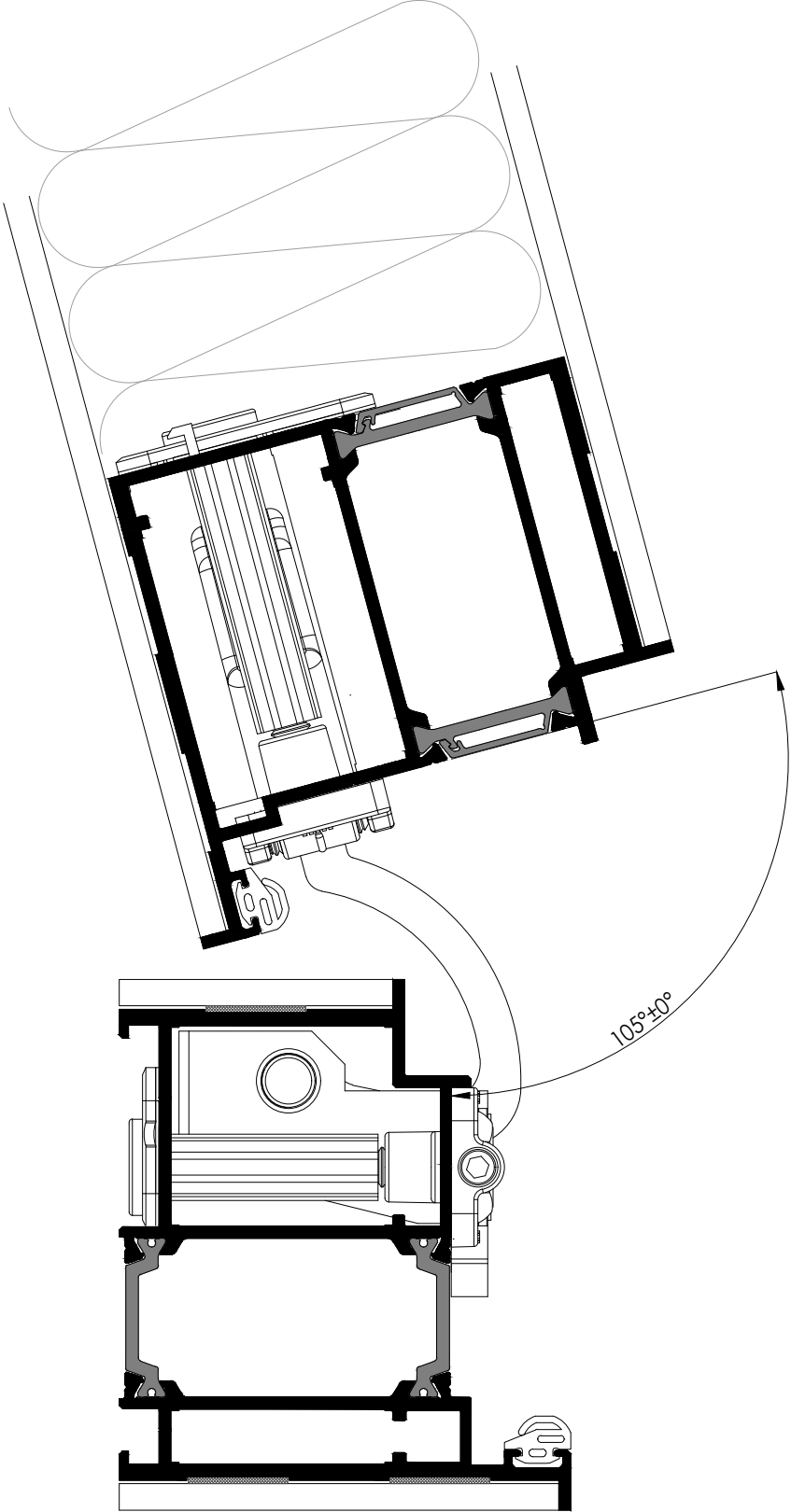
# Series WDS 70

## PANEL DOORS SECTIONS



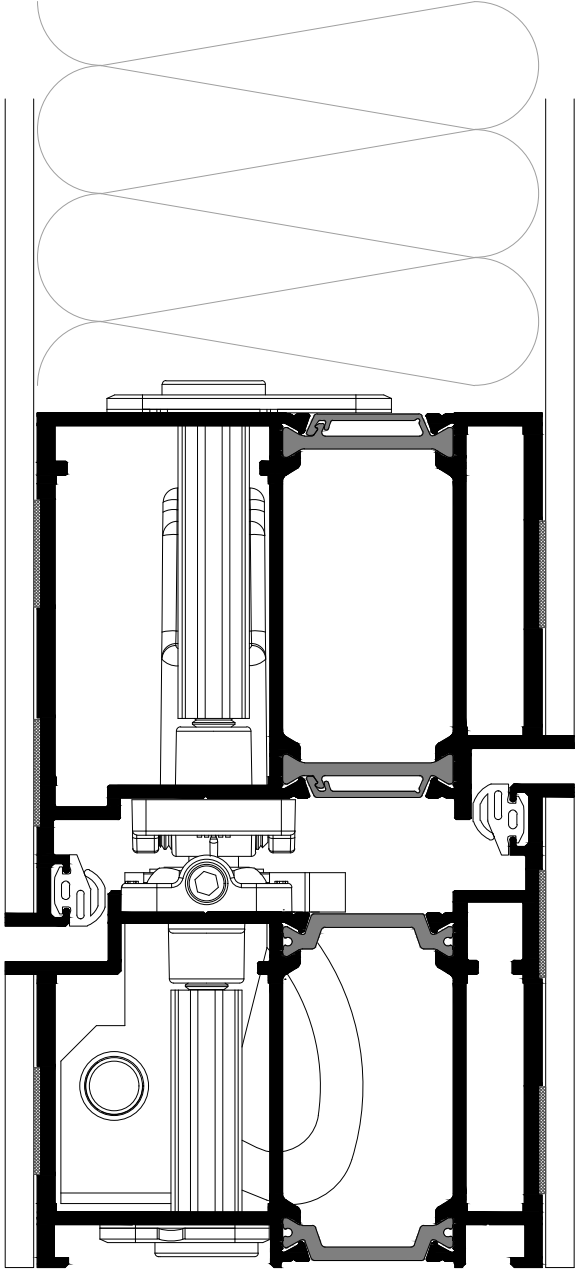
# Series WDS 70

## PANEL DOORS SECTIONS



**Series  
WDS 70**

**PANEL DOORS SECTIONS**





**NOTES**

Dotted lines for taking notes.

**Series  
WDS 70**

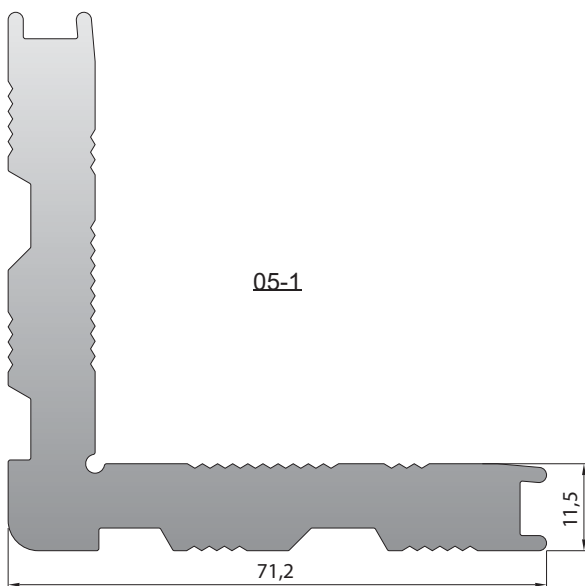
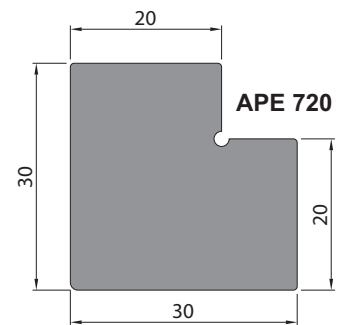
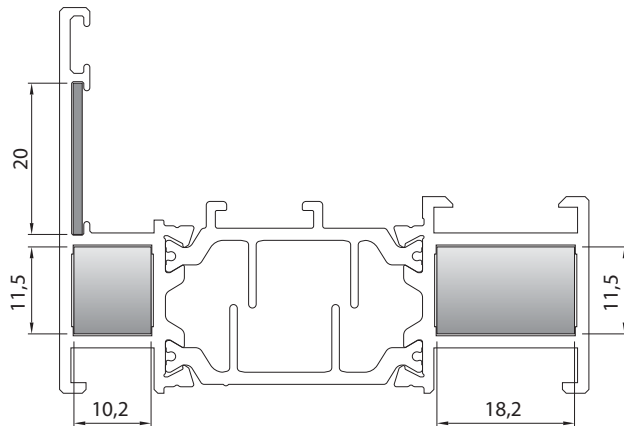
---

**DETAILS**

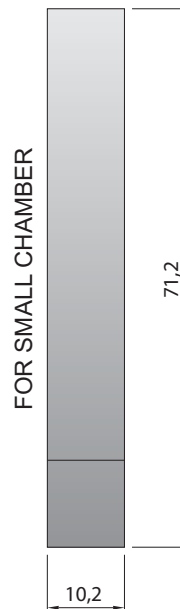
---

## DETAILS

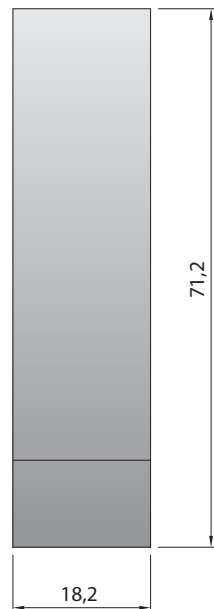
### CONNECTION CORNERS FOR PROFILE - 05.0100



WDS05010

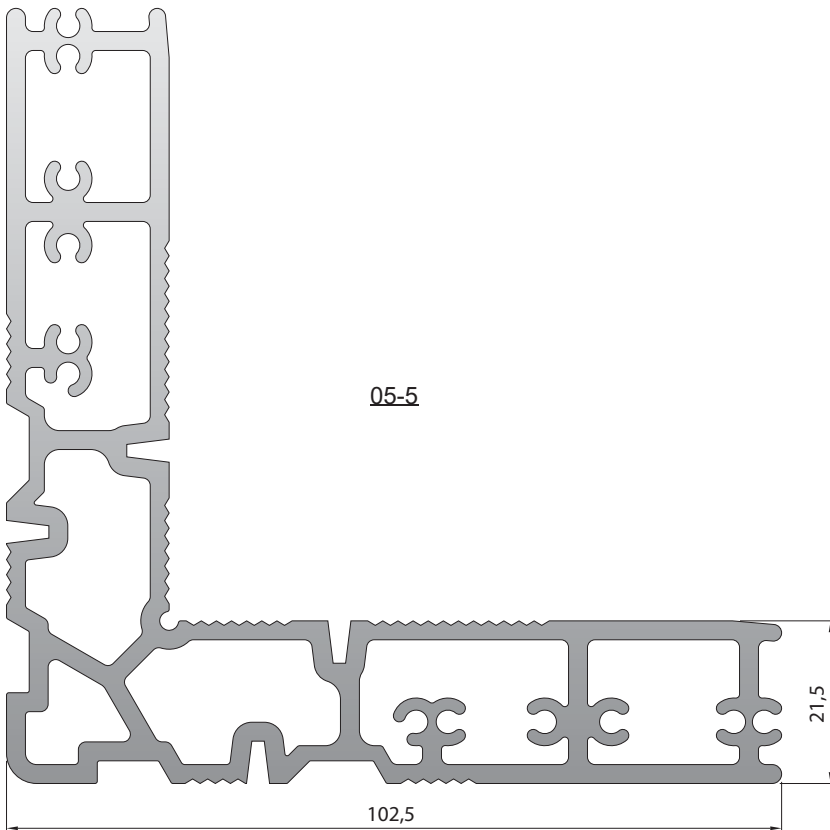
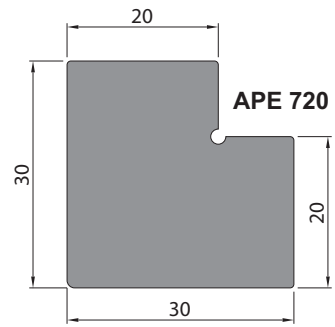
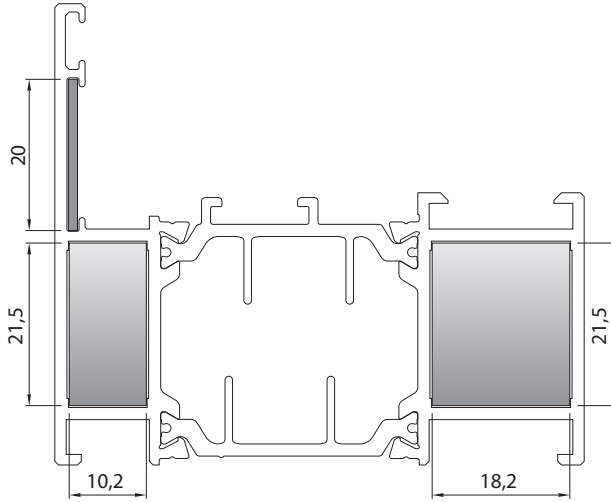


WDS05011

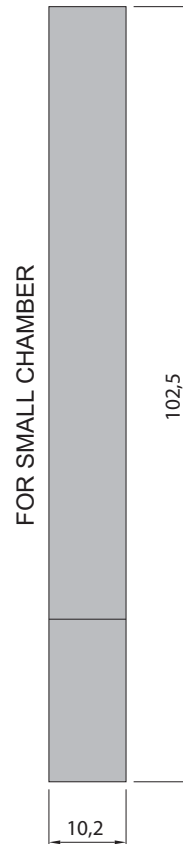


## DETAILS

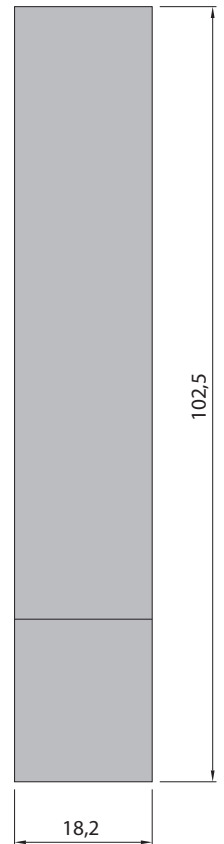
### CONNECTION CORNERS FOR PROFILE - 05.0101



WDS05500

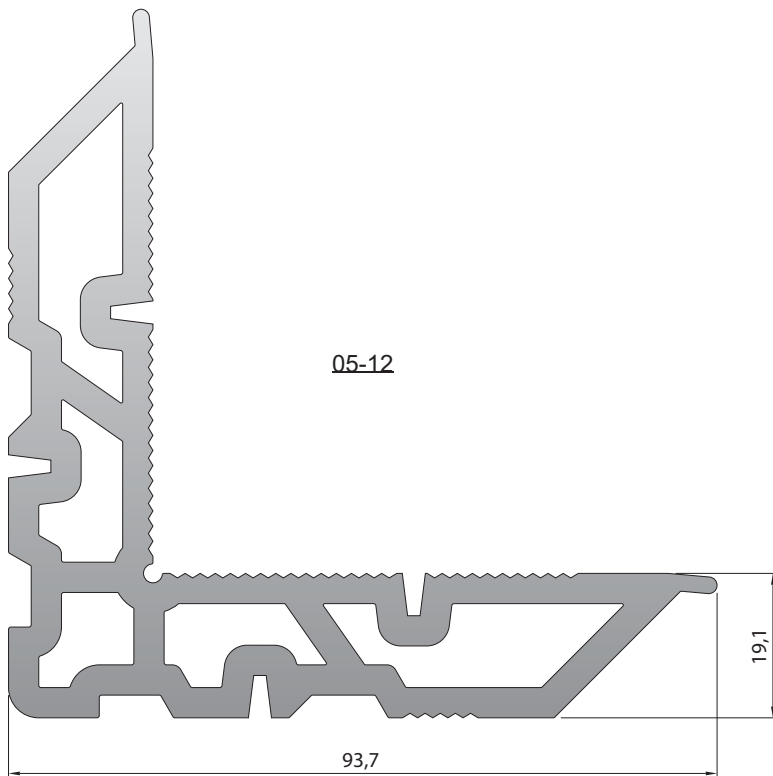
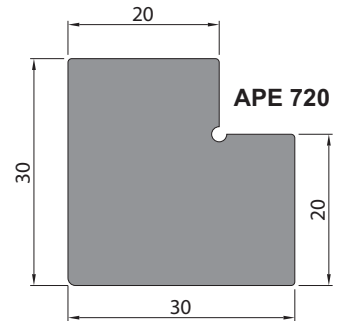
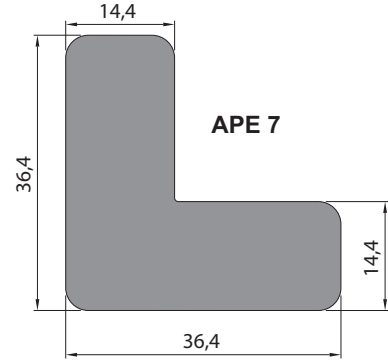
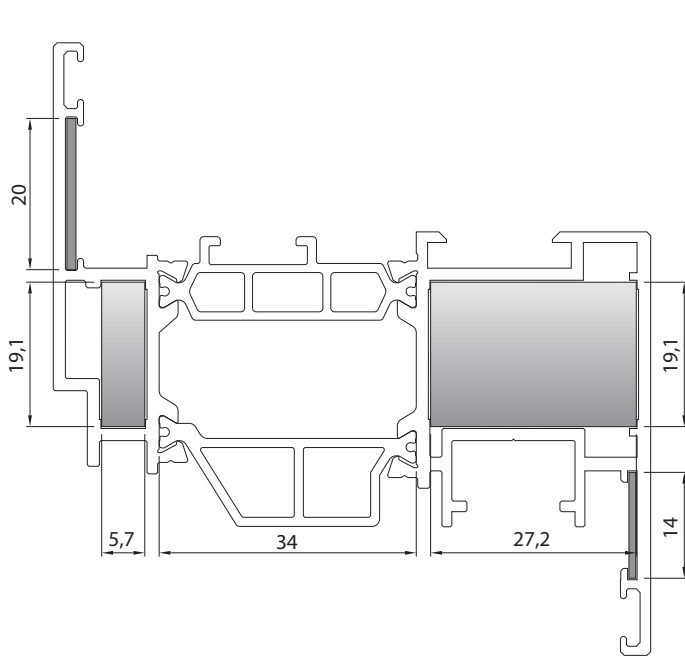


WDS05510

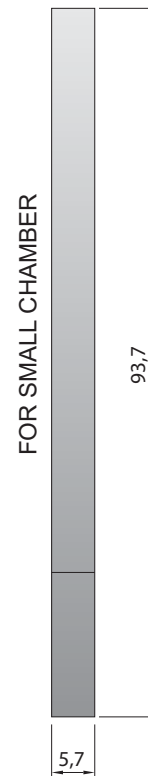


## DETAILS

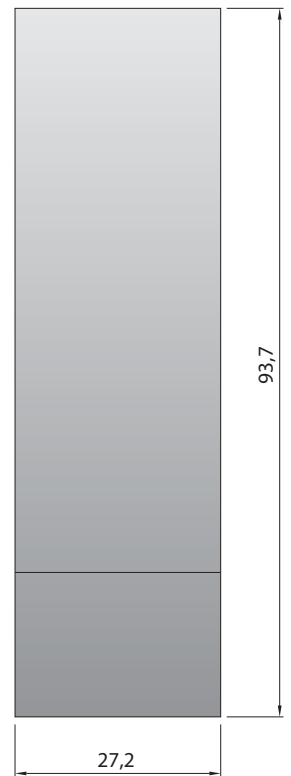
### CONNECTION CORNERS FOR PROFILE - 05.0205



WDS05120

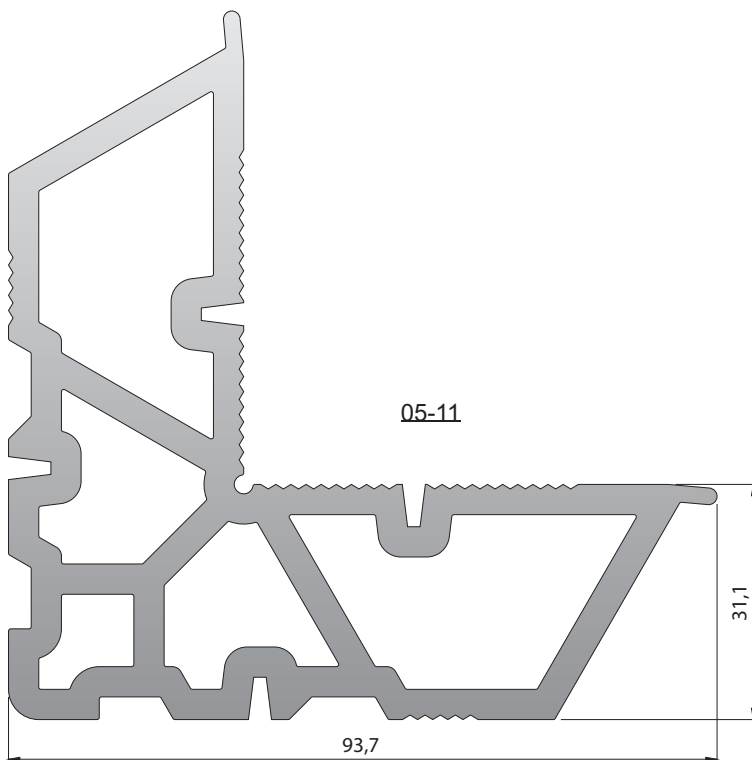
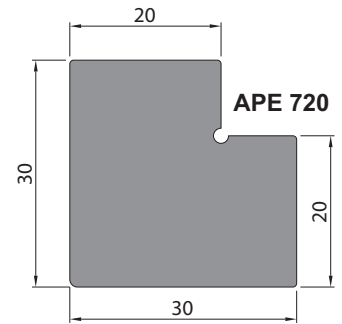
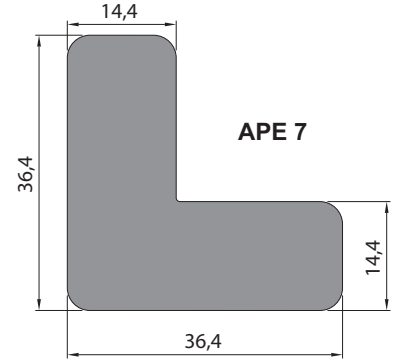
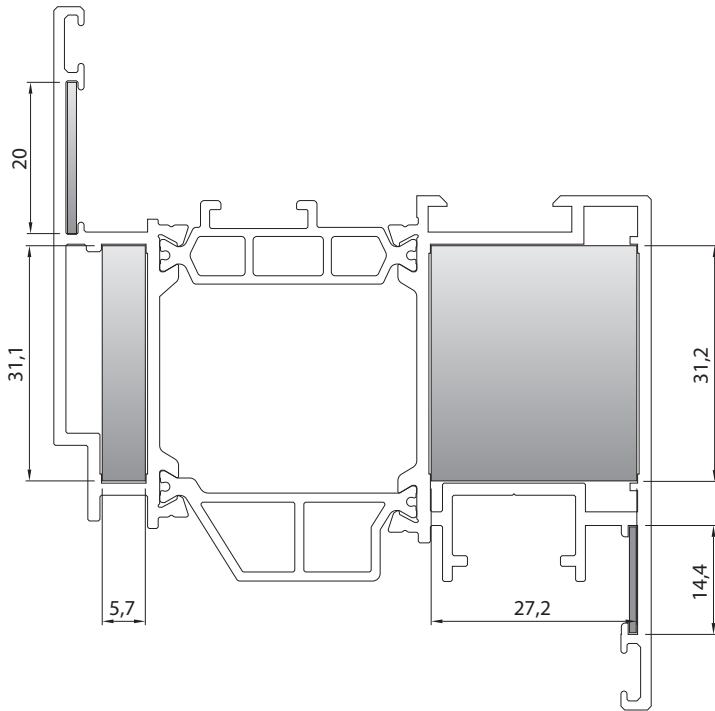


WDS05121



## DETAILS

### CONNECTION CORNERS FOR PROFILE - 05.0211



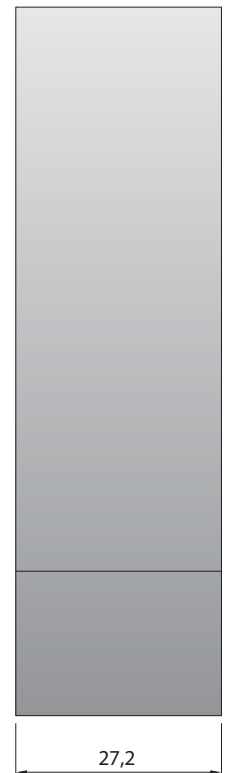
WDS05110

FOR SMALL CHAMBER



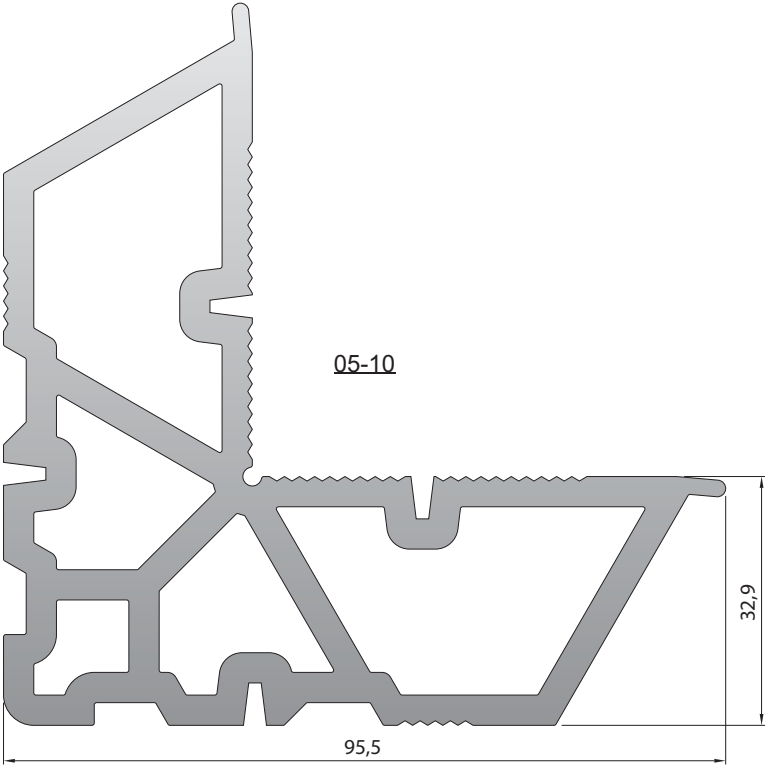
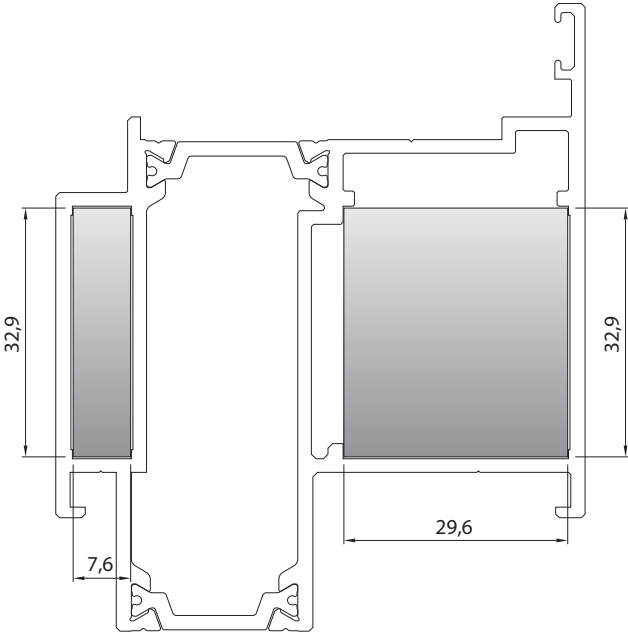
WDS05111

FOR BIG CHAMBER



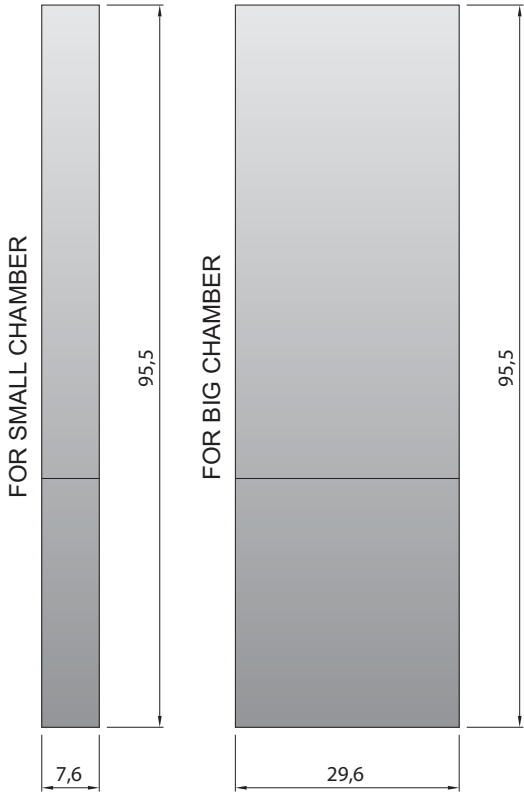
## DETAILS

### CONNECTION CORNERS FOR PROFILE - 05.1102



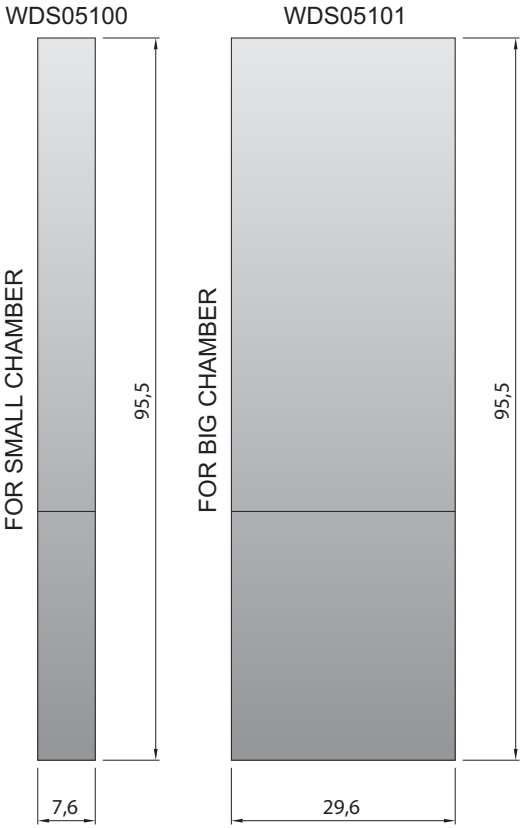
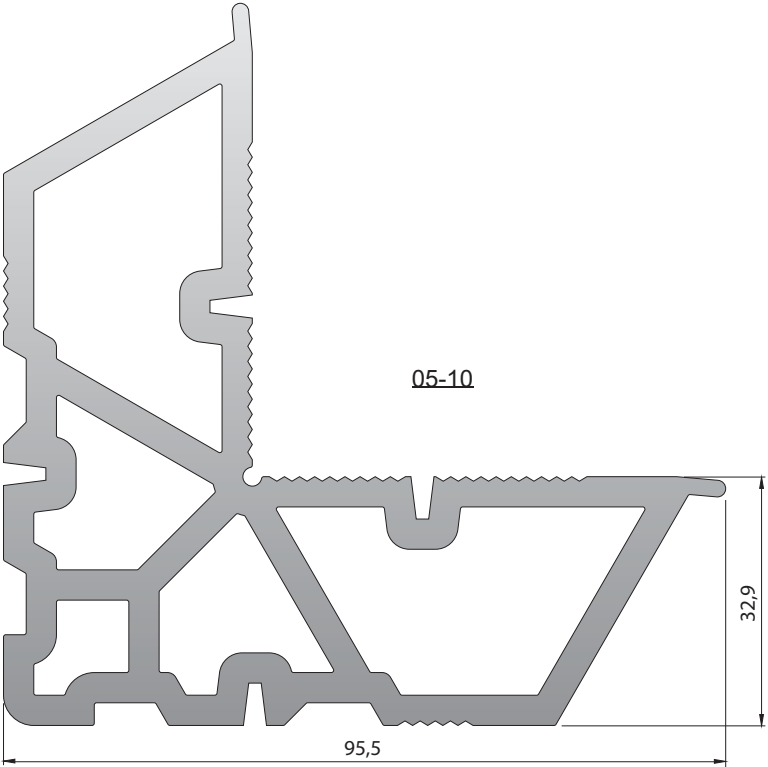
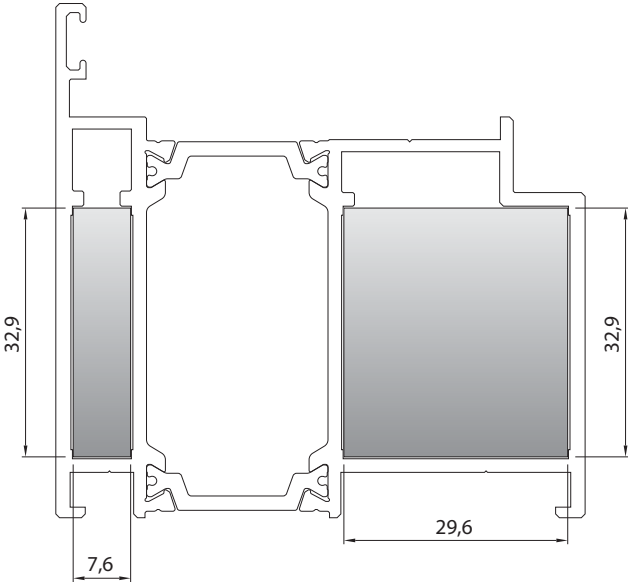
WDS05100

WDS05101



## DETAILS

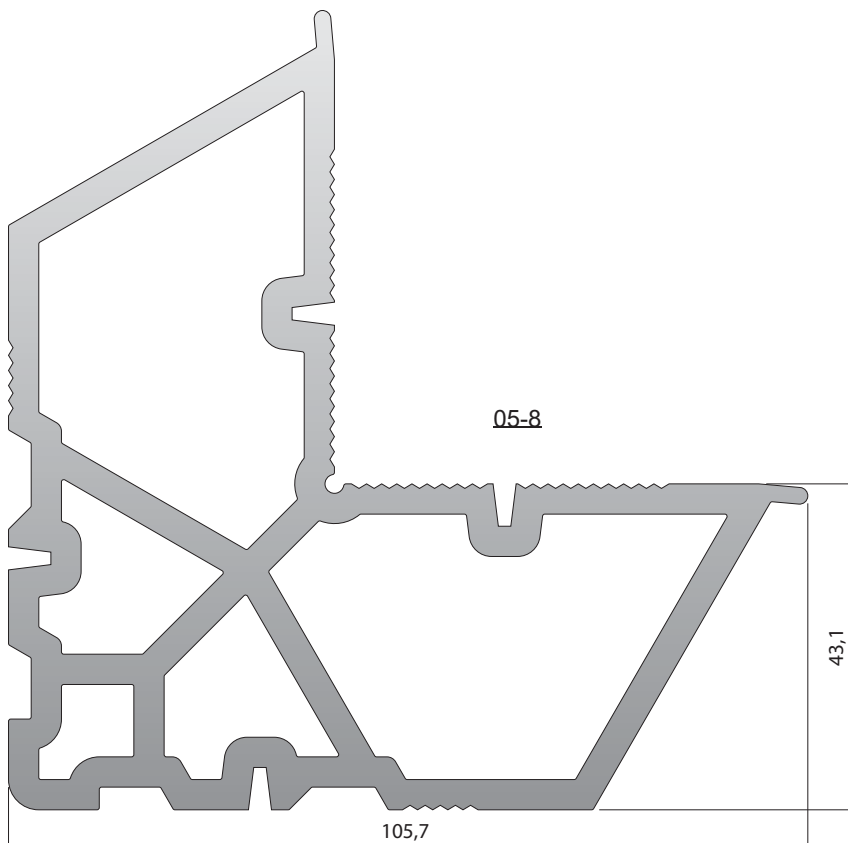
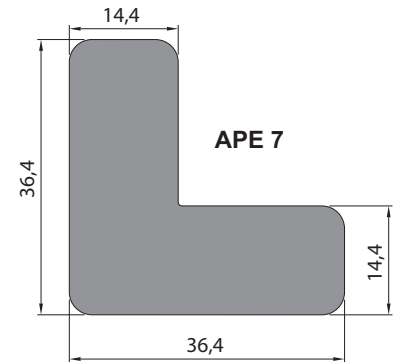
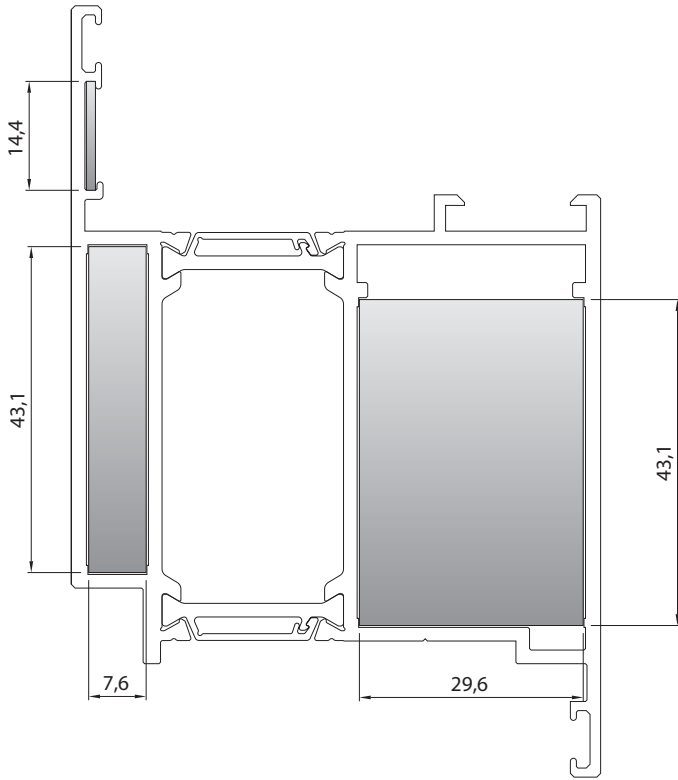
### CONNECTION CORNERS FOR PROFILE - 05.1103





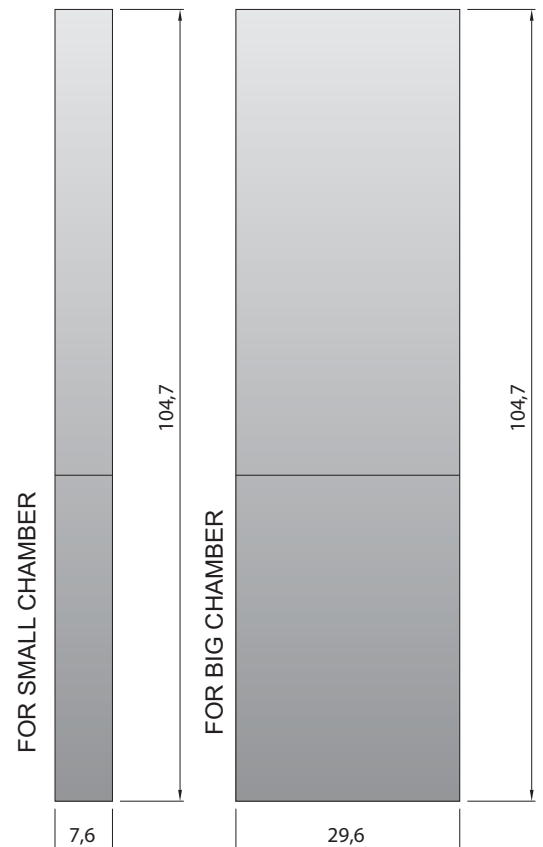
## DETAILS

### CONNECTION CORNERS FOR PROFILE - 05.1203



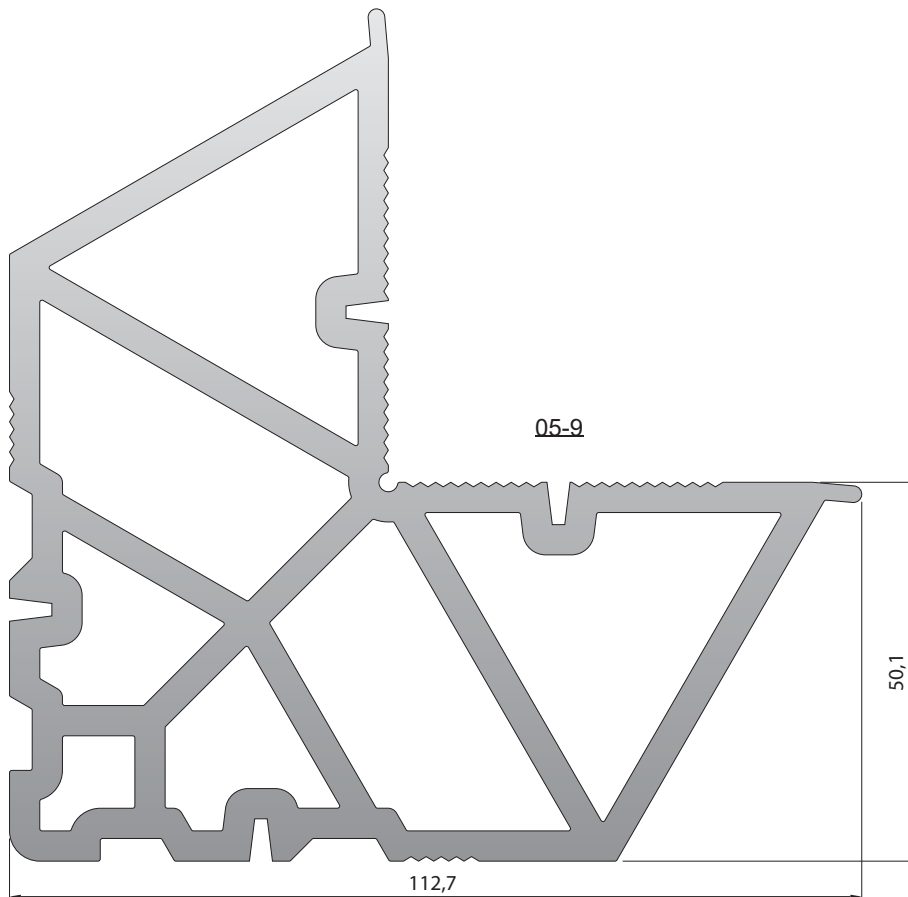
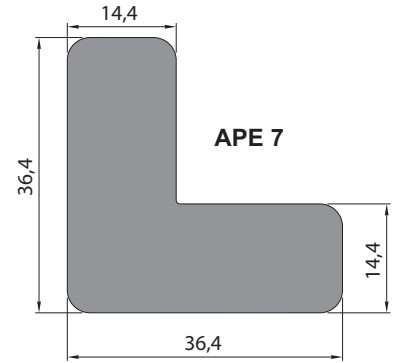
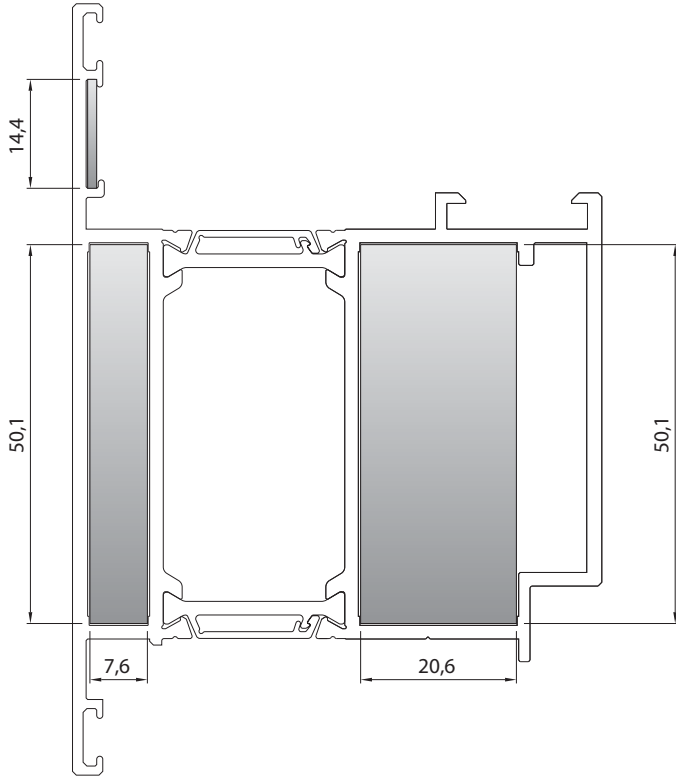
WDS05800

WDS05810



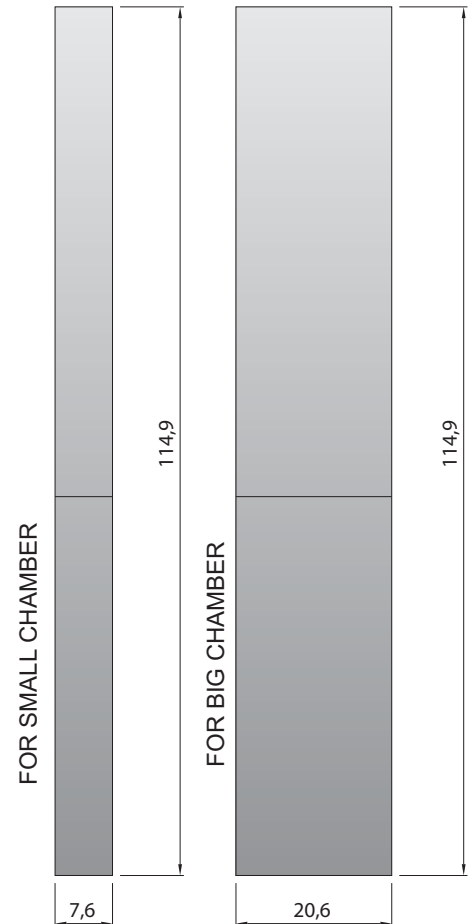
## DETAILS

### CONNECTION CORNERS FOR PROFILE - 05.1204



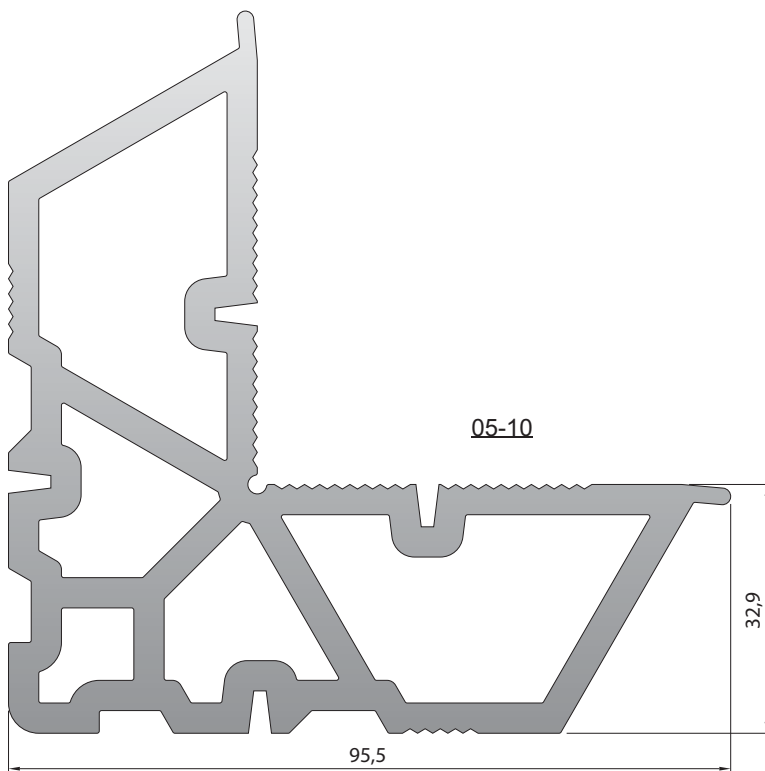
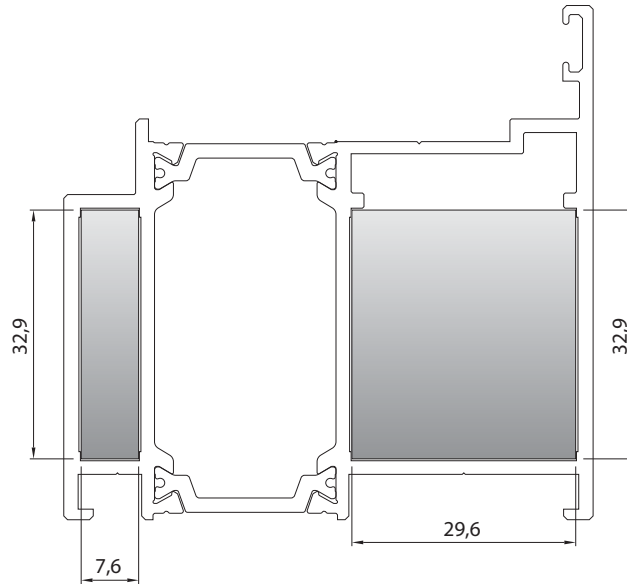
WDS05900

WDS05910



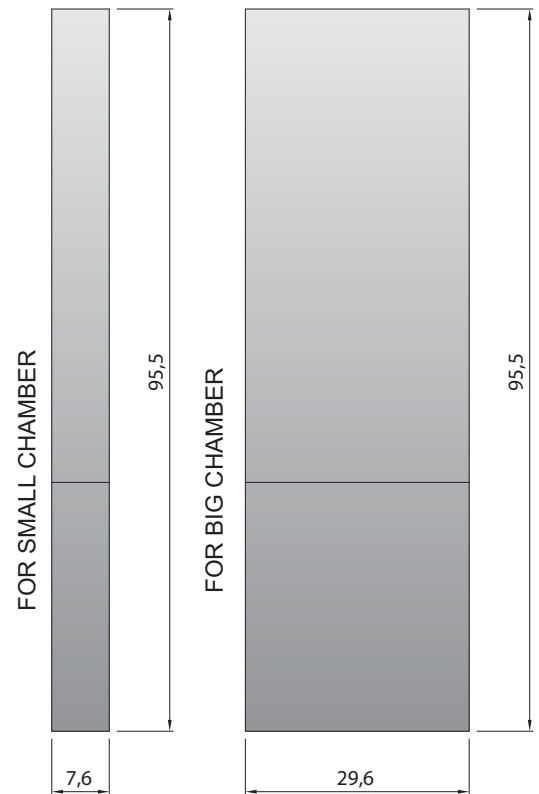
## DETAILS

### CONNECTION CORNERS FOR PROFILE - 05.1104



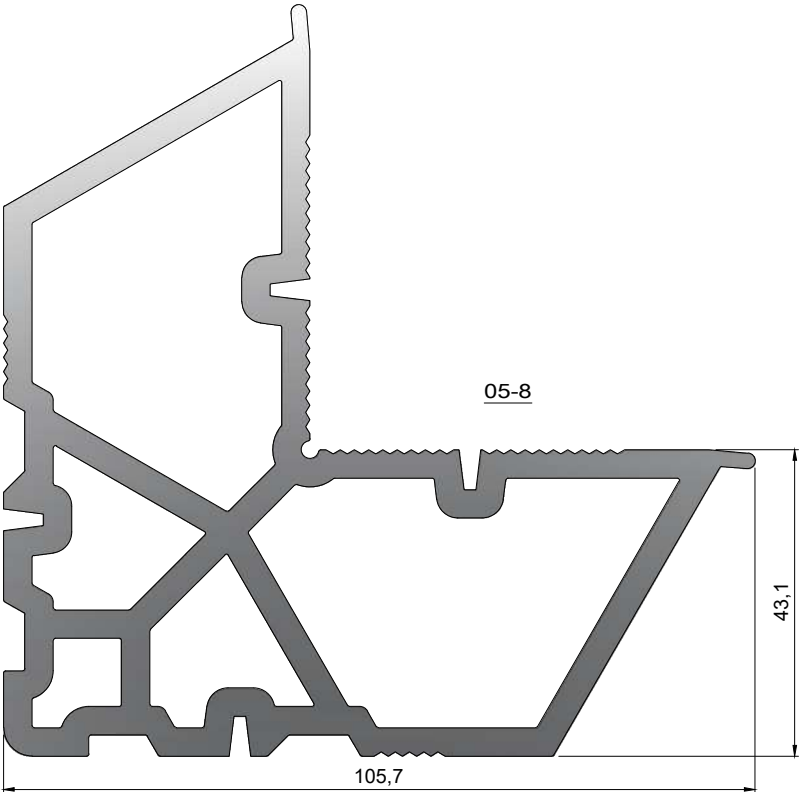
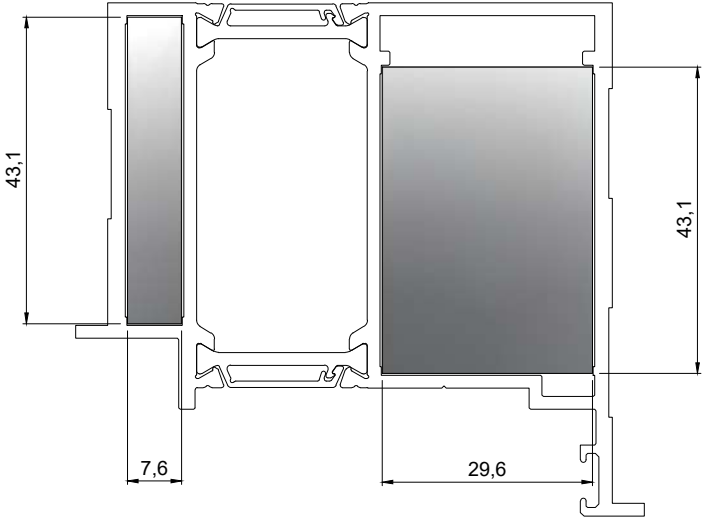
WDS05100

WDS05101



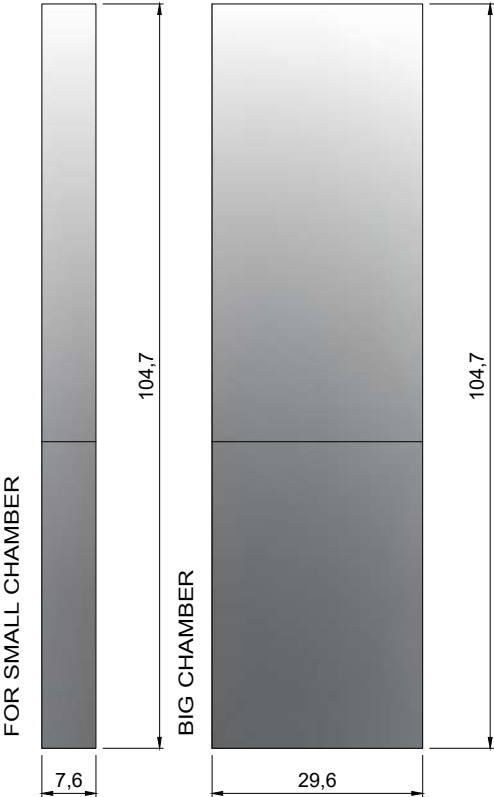
# Series WDS 70

CONNECTION CORNERS FOR PROFILE - 05.1603



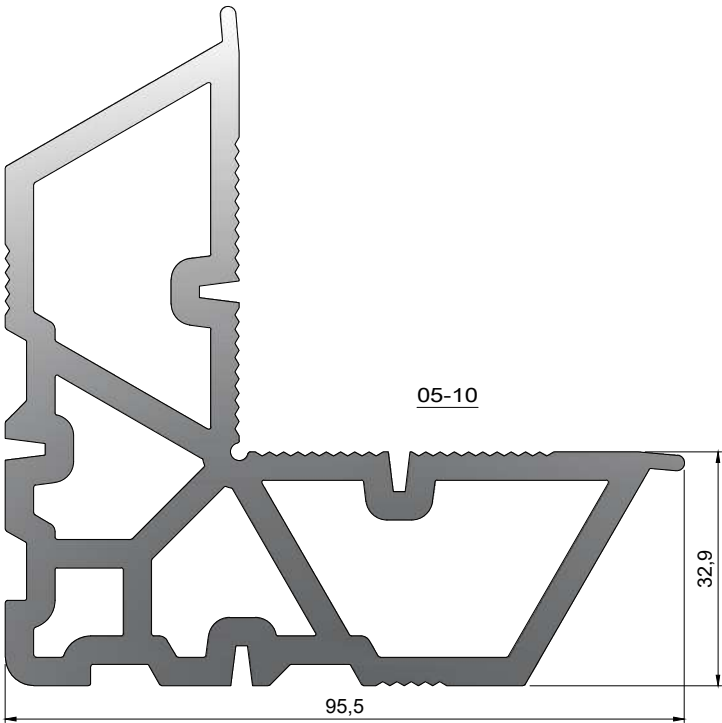
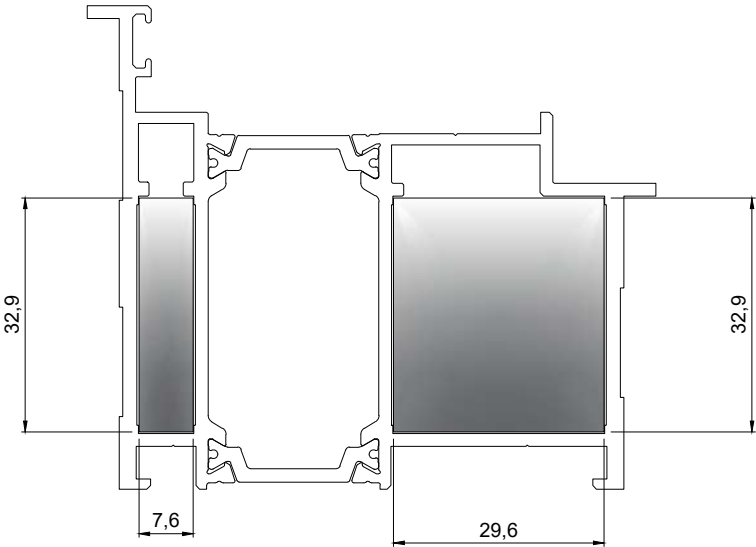
WDS05800

WDS05810



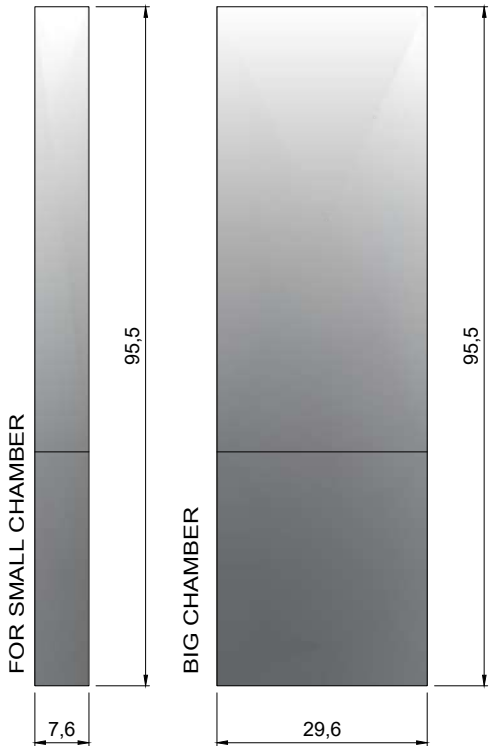
# Series WDS 70

CONNECTION CORNERS FOR PROFILE - 05.1503



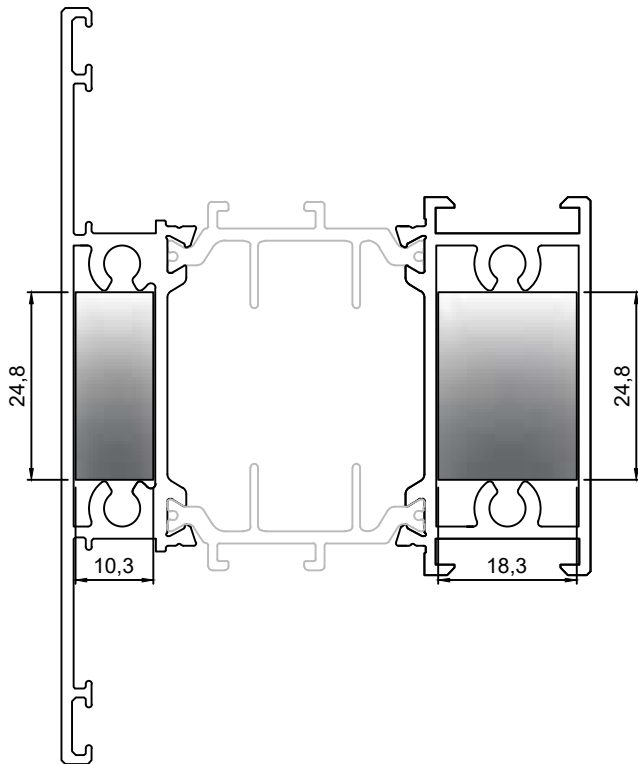
WDS05100

WDS05101



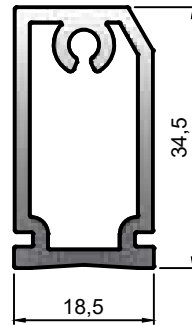
# Series WDS 70

## CONNECTION CORNERS FOR MULLION - 05.0301

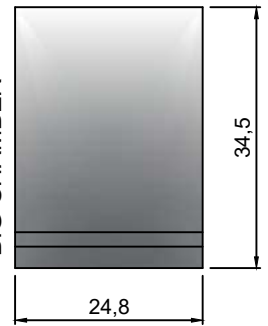


05-3

WDS05300

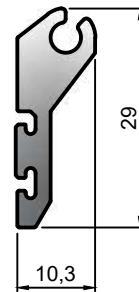


BIG CHAMBER

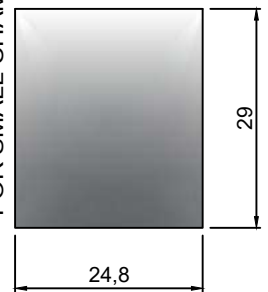


05-4

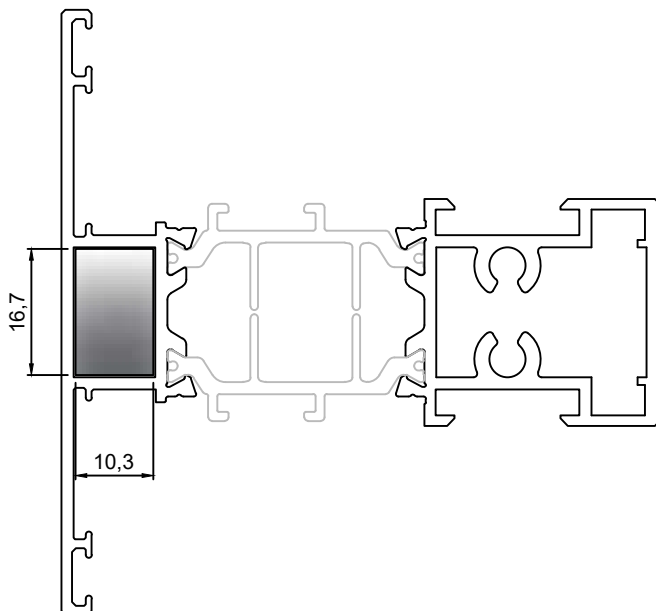
WDS05410



FOR SMALL CHAMBER

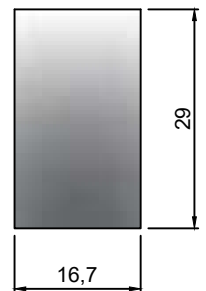
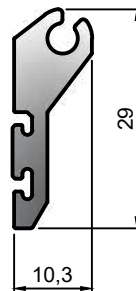


## CONNECTION CORNER FOR MULLION - 05.0309



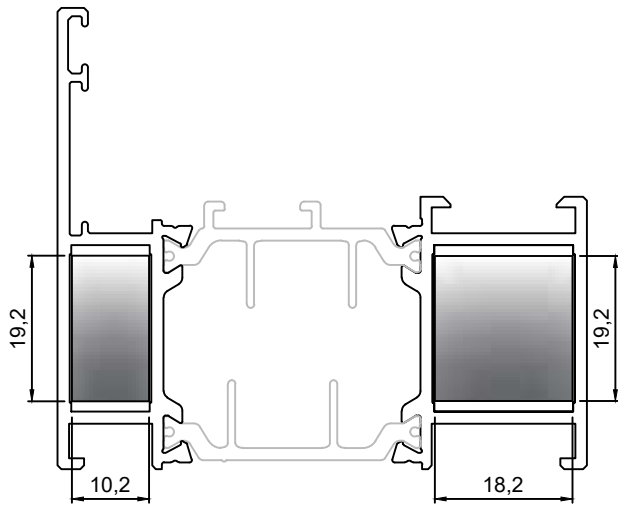
05-4

WDS05400

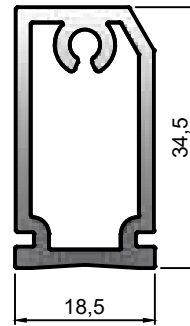


# Series WDS 70

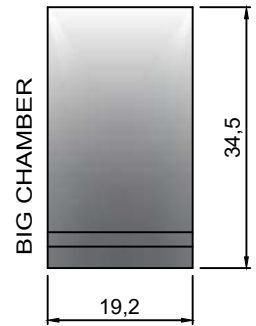
CONNECTING MULLIONS 05 0302 AND 05 0303 WITH FRAME 05 0101



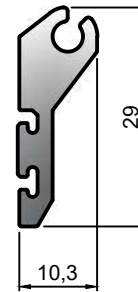
05-3



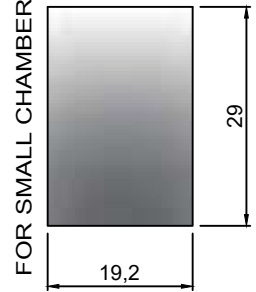
WDS05310



05-4



WDS05420



## ACCESSORIES

Gasket:  
US11.5100



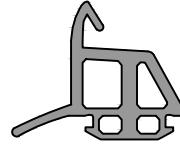
Gasket:  
U2



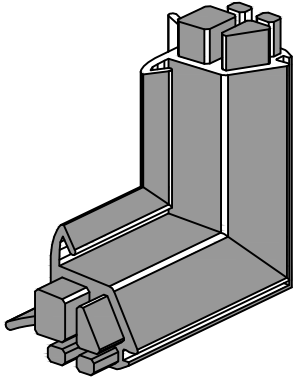
Gasket:  
US11.5102



Gasket:  
US11.5105



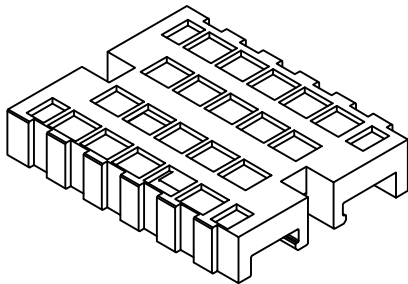
US11.5107



US11.1501



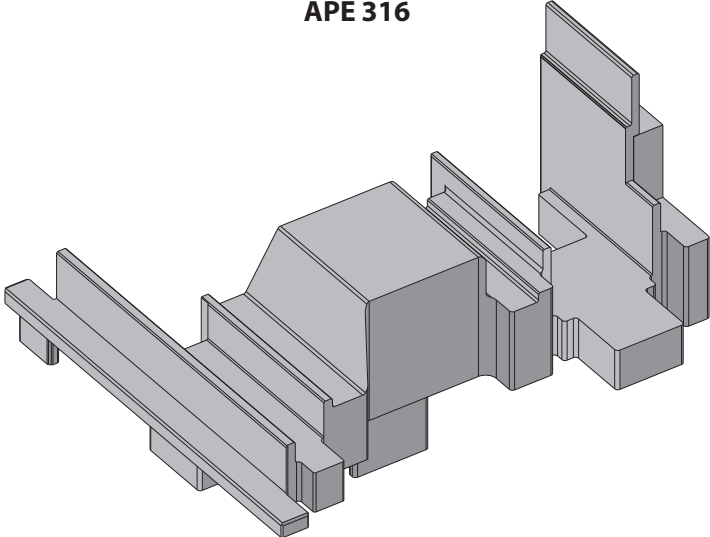
Glazing pad:  
WDS141



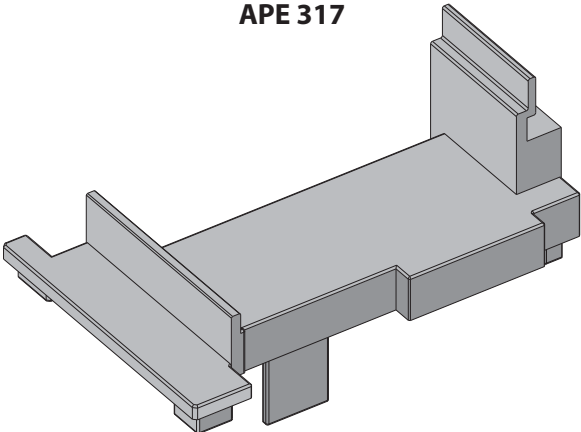


**DETAILS**

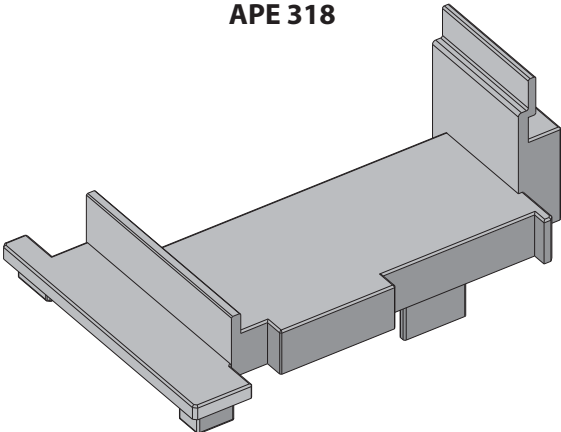
**APE 316**



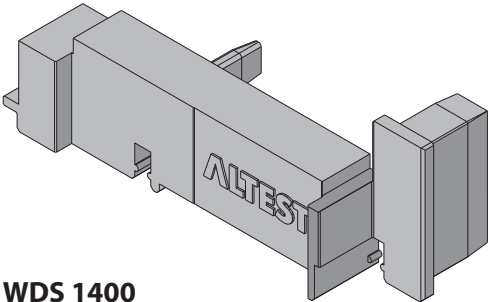
**APE 317**



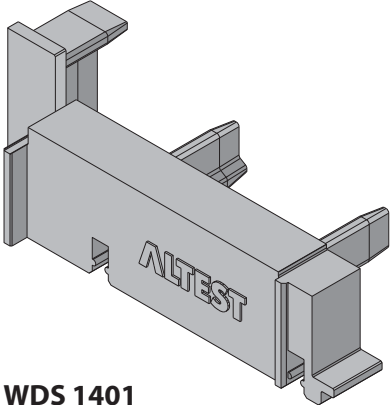
**APE 318**



**WDS 1400**



**WDS 1401**



**Series  
WDS 70**

---

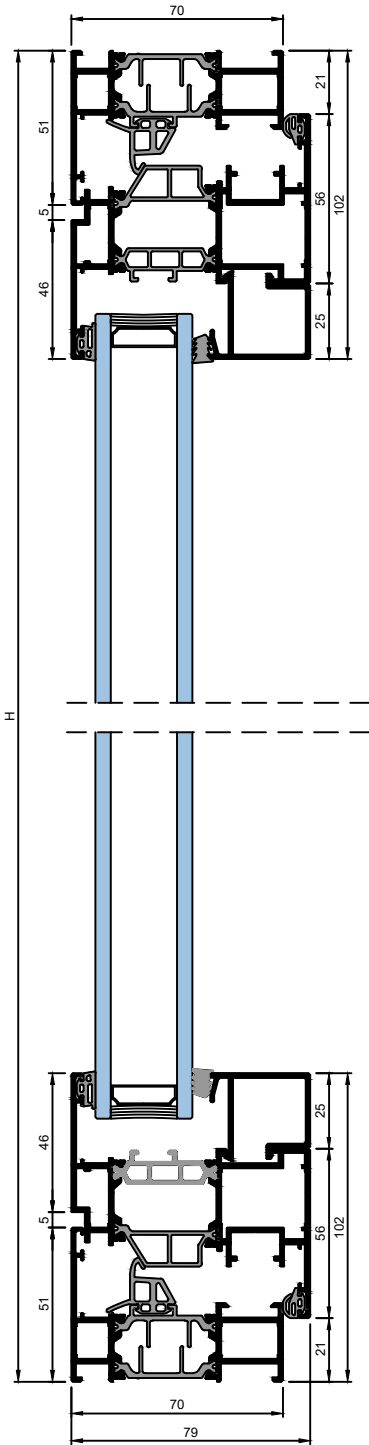
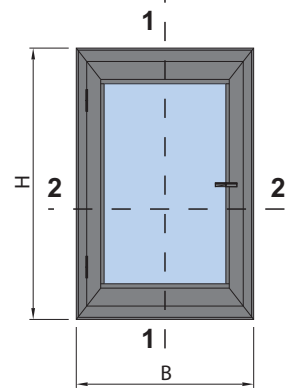
**SCHEMES**

---

# Series WDS 70

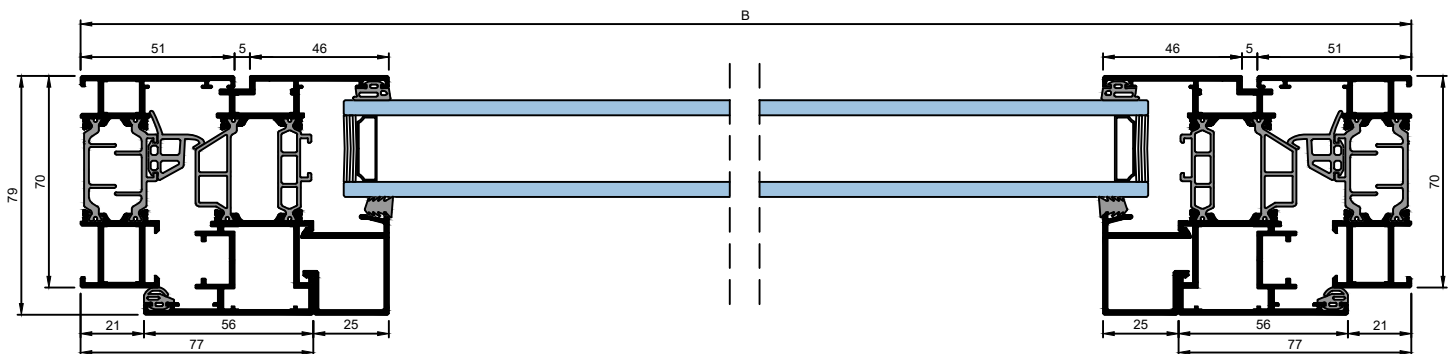
## SCHEMES

FRAME	2pcs=B	
	2pcs=H	
SASH	2pcs=B-42 mm	
	2pcs=H-42mm	
For frame: 05.0100		
GLASSHOLDER	2pcs=B-154mm	
	2pcs=B-204mm	
For frame: 05.0100 Sash: 05.0205		
GLASS WIDTH	GW=B-169 mm	
GLASS HEIGHT	GH=H-169 mm	



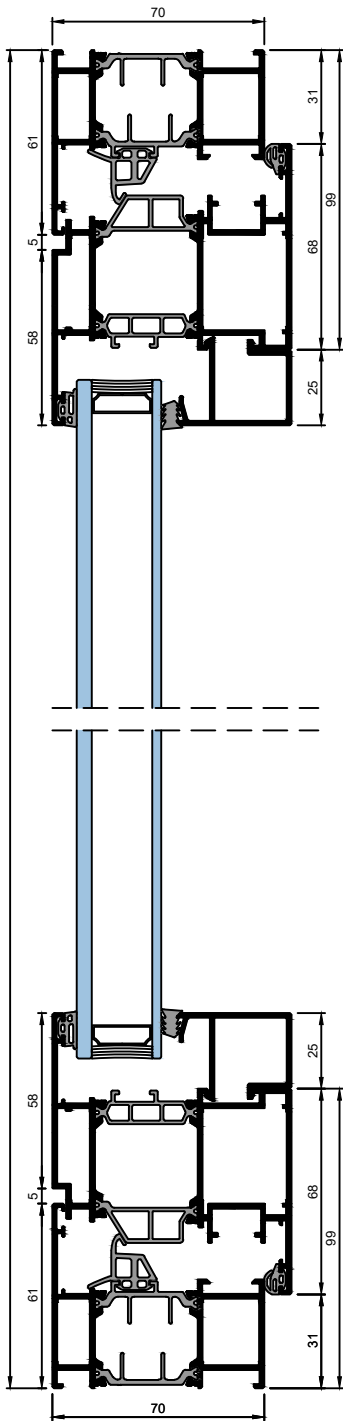
1-1

2-2



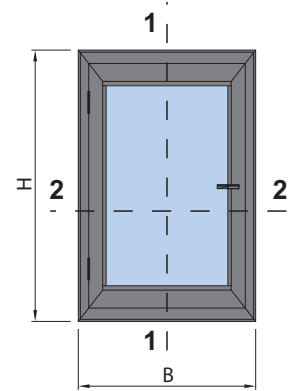
SCALE 1:2

## SCHEMES

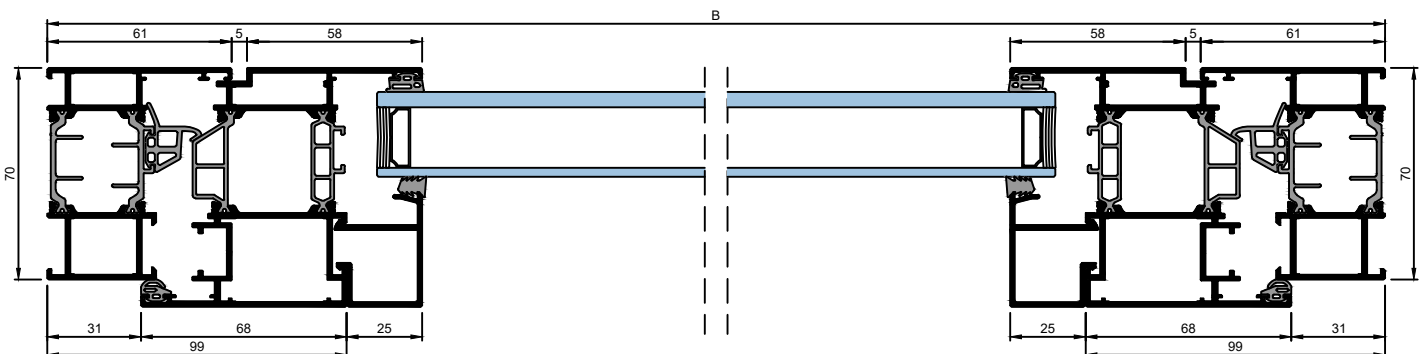


1-1

FRAME	2pcs=B	
	2pcs=H	
SASH	2pcs=B-62 mm	
	2pcs=H-62mm	
For frame: 05.0101		
GLASSHOLDER	2pcs=B-198mm	
	2pcs=H-248mm	
For frame: 05.0101 Sash: 05.0211		
GLASS WIDTH	GW=B-213mm	
GLASS HEIGHT	GH=H-213 mm	



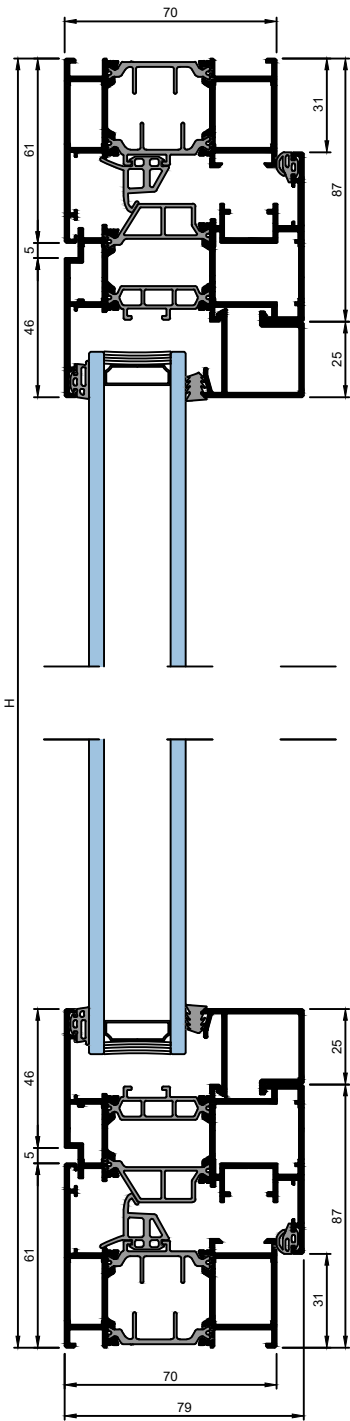
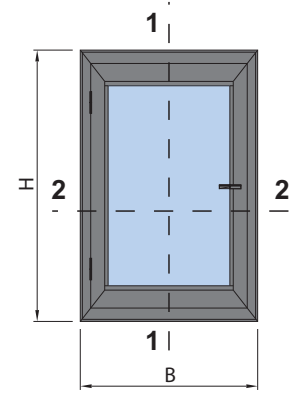
2-2



# Series WDS 70

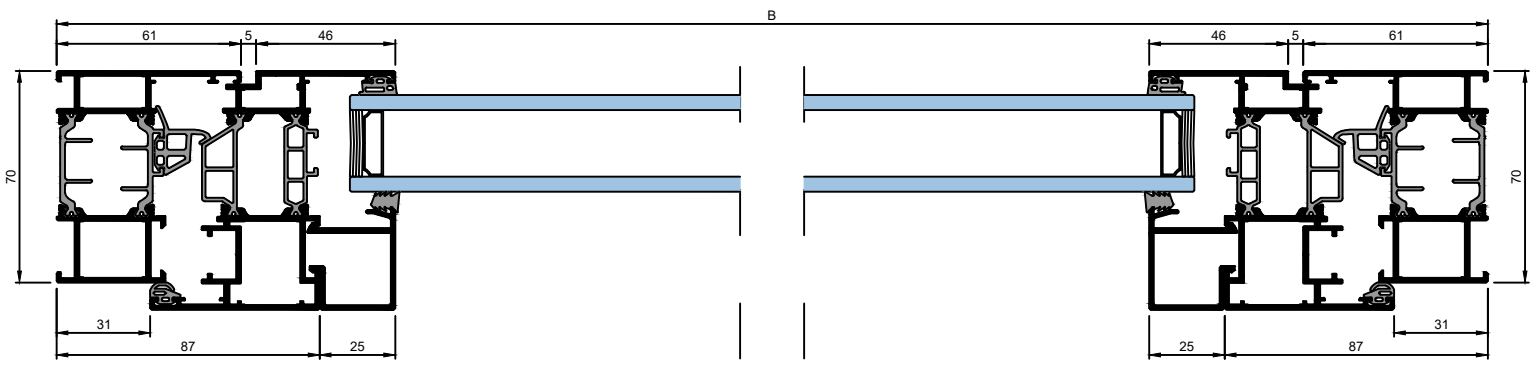
## SCHEMES

FRAME	2pcs=B	
	2pcs=H	
SASH	2pcs=B-62 mm	
	2pcs=H-62mm	
For frame: 05.0101		
GLASSHOLDER	2pcs=B-174mm	
	2pcs=H-224mm	
For frame: 05.0101 Sash: 05.0205		
GLASS WIDTH	GW=B-189 mm	
GLASS HEIGHT	GH=H-189 mm	



1-1

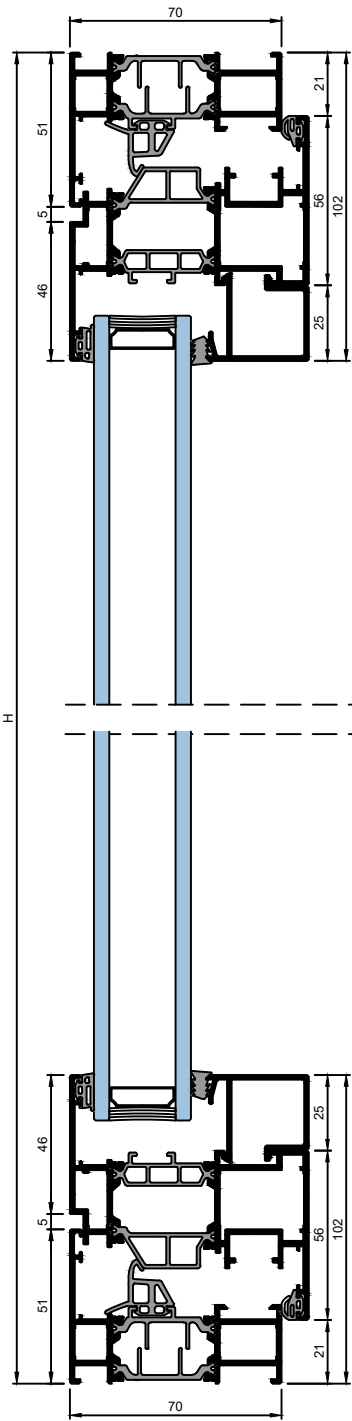
2-2



SCALE 1:2

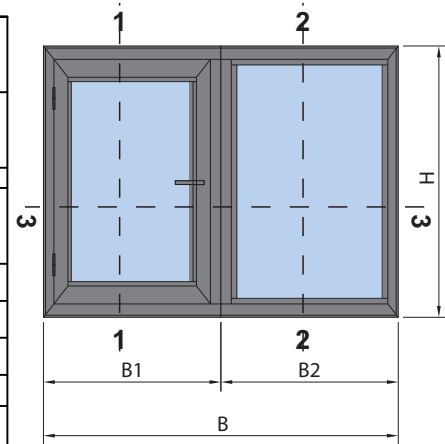
# Series WDS 70

## SCHEMES

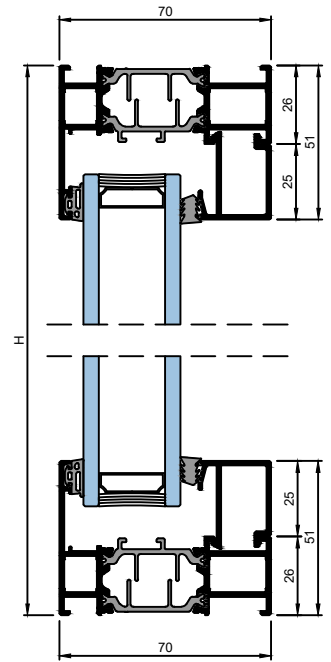


1-1

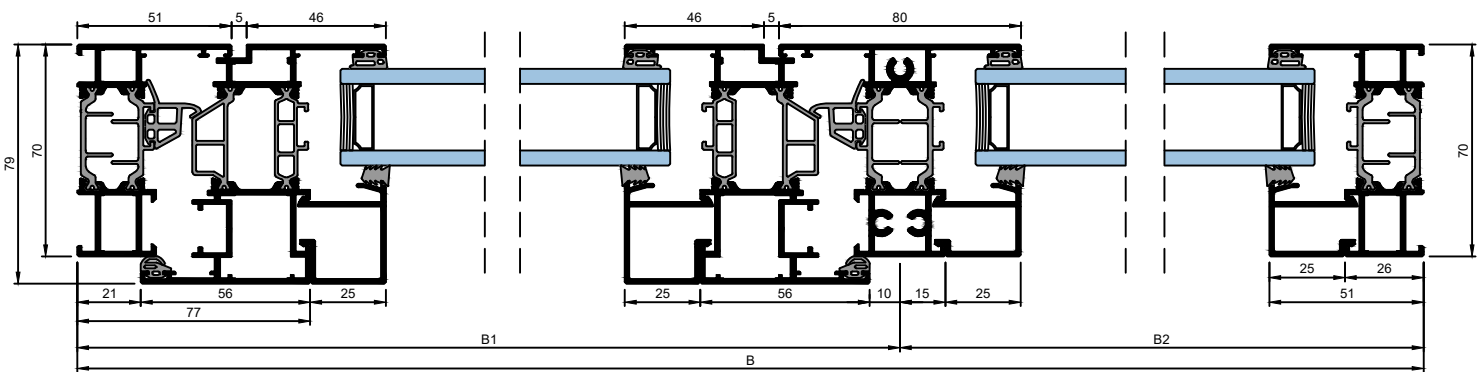
FRAME	2pcs=B	
	2pcs=H	
SASH only for 05.0205*	2pcs=B1-31 mm	
	2pcs=H-42mm	
For frame: 05.0100		
GLASSHOLDERS	2pcs=B1-143mm	
	2pcs=H-204mm	
	2pcs=B2-41mm	
	2pcs=H-102mm	
For frame: 05.0100		
MULLION	1pcs=H-52mm	
For frame: 05.0100 Sash: 05.0205		Mullion: 05.0304
GLASS WIDTH	GW <sub>1</sub> =B <sub>1</sub> -158 mm; GW <sub>2</sub> =B <sub>2</sub> -56 mm	
GLASS HEIGHT	GH=H-169 mm	



2-2



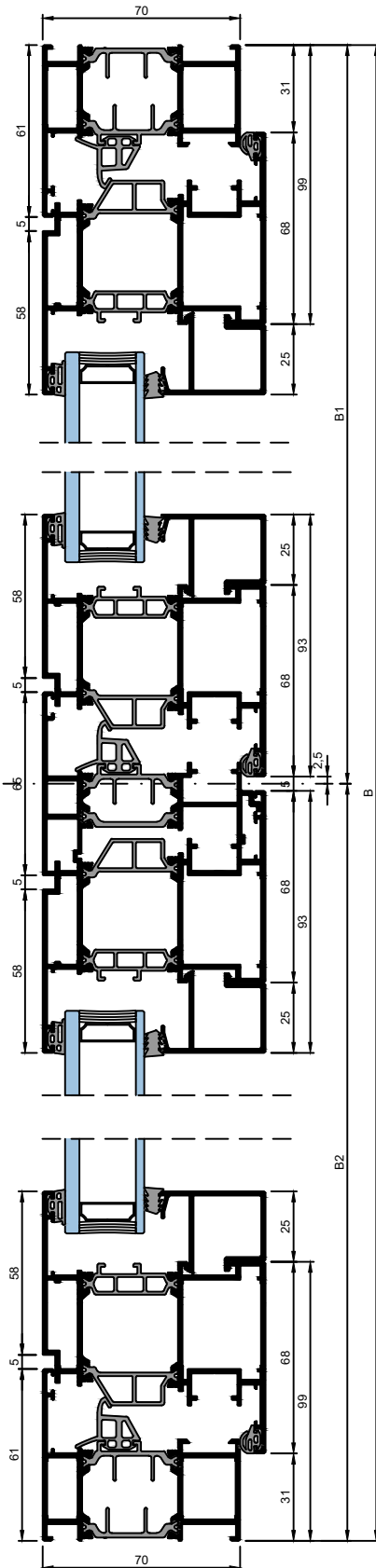
3-3



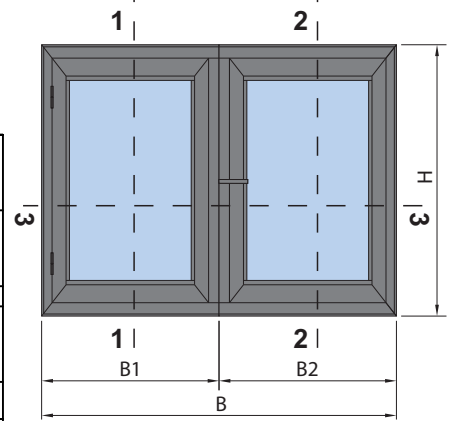
SCALE 1:2

## SCHEMES

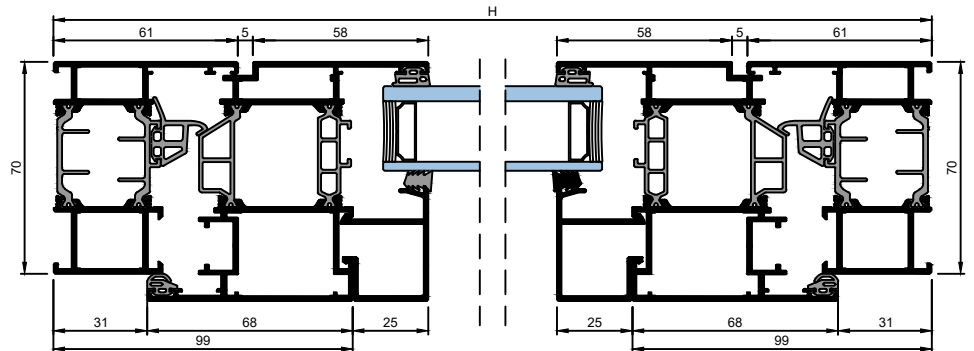
3-3



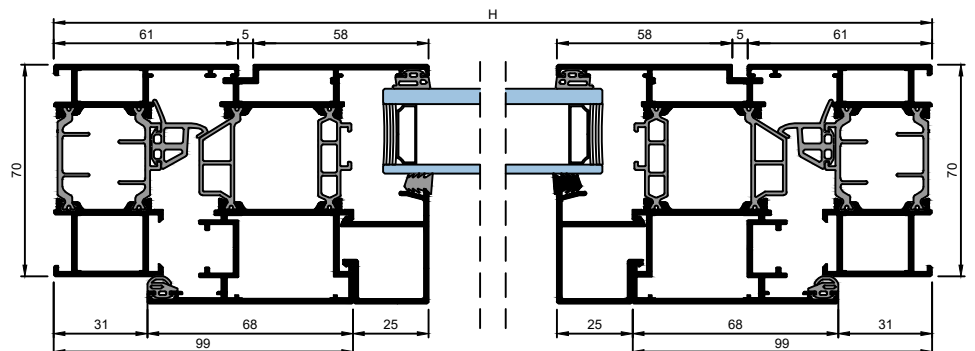
FRAME	2pcs=B	
	2pcs=H	
SASH	2pcs=B1-33.5mm	
	2pcs=B2-33.5mm	
only for 05.0211*		4pcs=H-62mm
For frame: 05.0101		
GLASSHOLDERS	2pcs=B1-169,5mm	
	4pcs=H-248mm	
		2pcs=B2-169,5mm
For frame: 05.0101		
OVERHUNG	1pcs=H-131,6mm	
For frame: 05.0101 Sash: 05.0211		overhung: 05.0322
GLASS WIDTH	$GW_1=B_1-184.5 \text{ mm}; GW_2=B_2-184.5 \text{ mm}$	
GLASS HEIGHT	GH=H-213 mm	



1-1



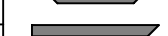
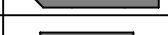
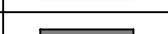
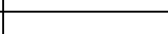

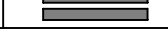


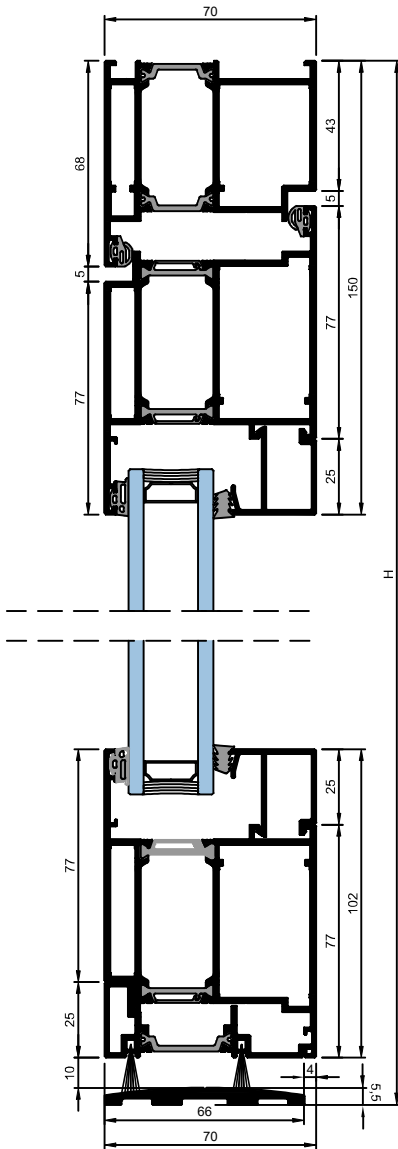
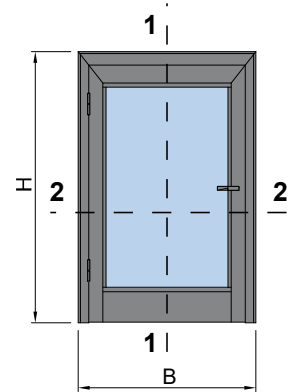
2-2



SCALE 1:2

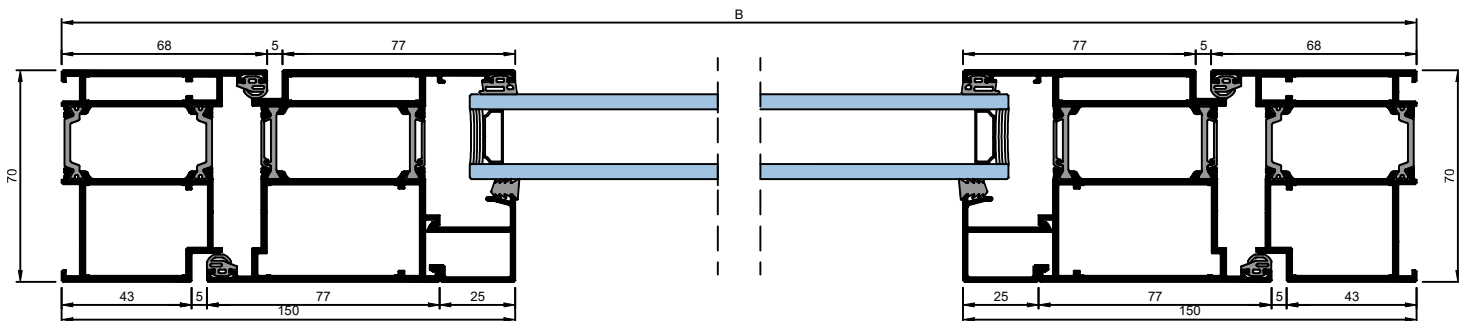
## SCHEMES

FRAME	1pcs=B	
	2pcs=H	
SASH	1pcs=B-96 mm	
	2pcs=H-63,5mm	
ADD ON	1pcs=B-150mm	
KICKPLATE	1pcs=B-106mm	
For sash: 05.1203	For kickplate: 05.1410	
GLASSHOLDER	2pcs=B-250mm	
	2pcs=H-267,5mm	
GLASS	Glass width=B-265mm	
	Glass height=H-232,5mm	



1-1

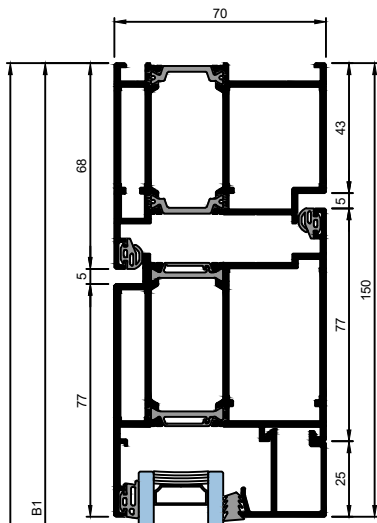
2-2



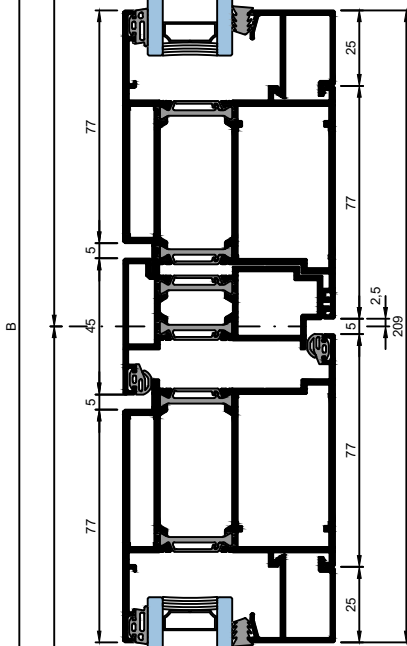
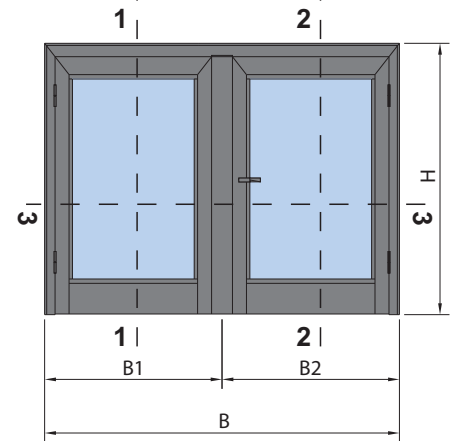


## SCHEMES

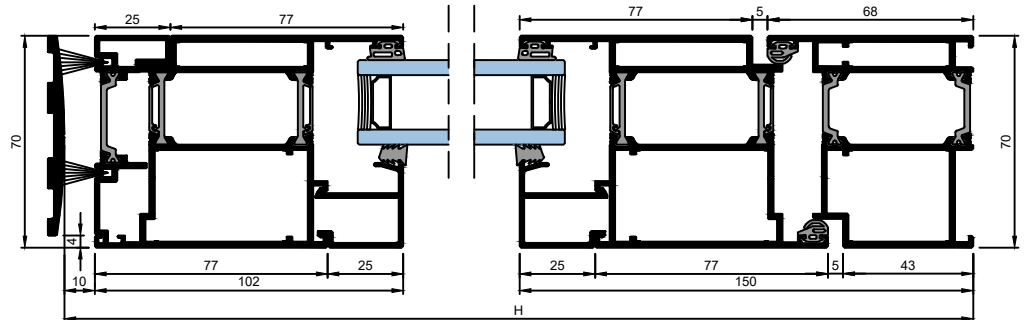
3-3



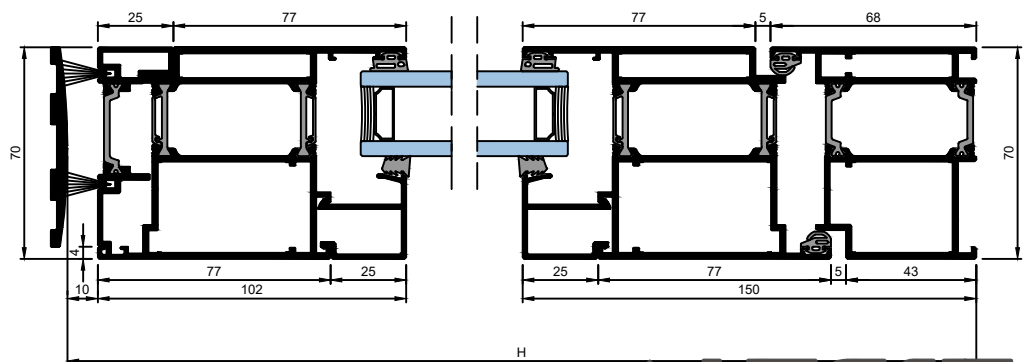
FRAME	1pcs=B	
	2pcs=H	
SASH	2pcs=B1-50,5mm	
	2pcs=B2-50,5mm	
	4pcs=H-58mm	
ADD ON	1pcs=B1-104,5mm	
	1pcs=B2-104,5mm	
KICKPLATE	1pcs=B-106mm	
	*only for 05 1410	
GLASSHOLDERS	2pcs=B1-204,5mm	
	4pcs=H-262mm	
	2pcs=B2-204,5mm	
GLASS WIDTH	GW <sub>1</sub> =B <sub>1</sub> -219,5 mm; GW <sub>2</sub> =B <sub>2</sub> -219,5 mm	
GLASS HEIGHT	GH=H-227 mm	



1-1



2-2



**Series  
WDS 70**

---

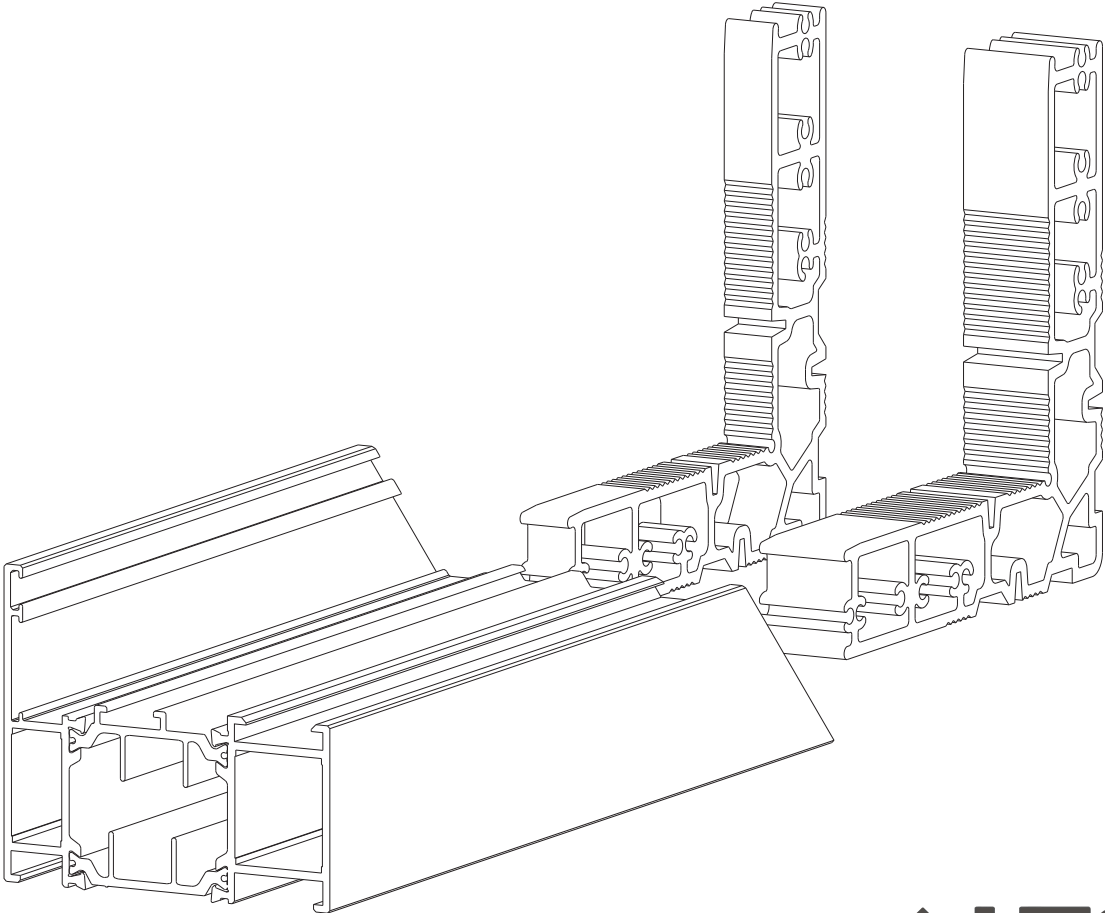
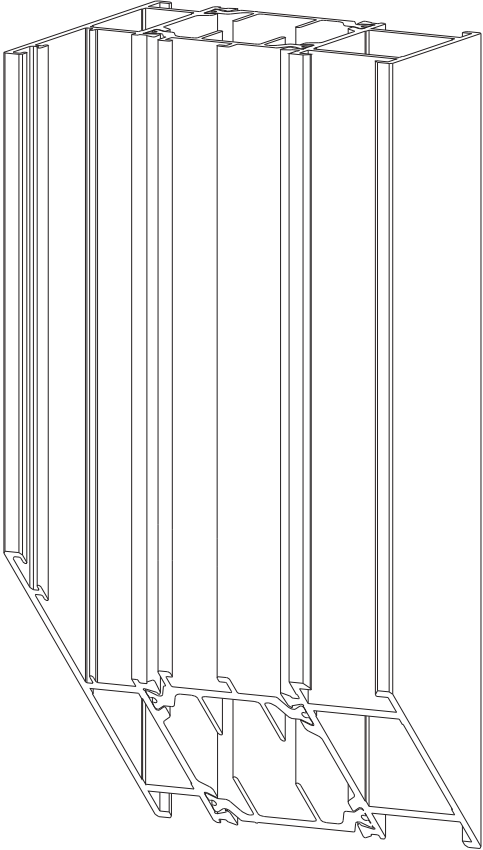
# **THREE DIMENSIONS DETAILS**

---

# Series WDS 70

## THREE DIMENSIONS DETAILS

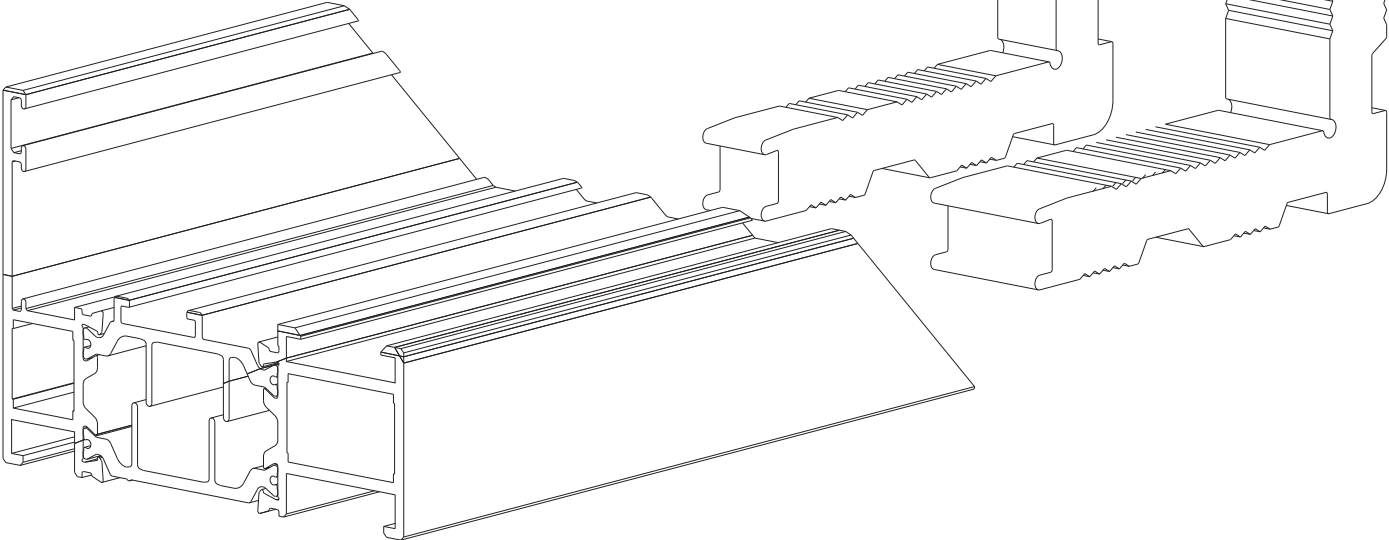
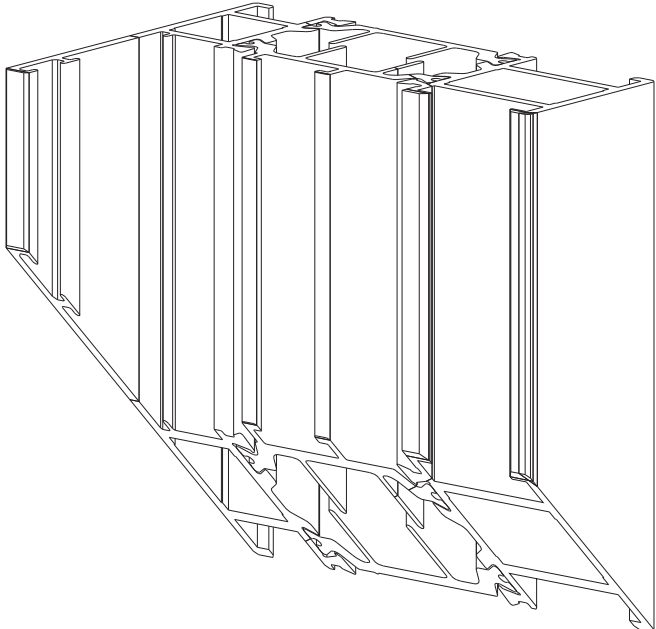
CONNECTION FRAME 05 0100



# Series WDS 70

## THREE DIMENSIONS DETAILS

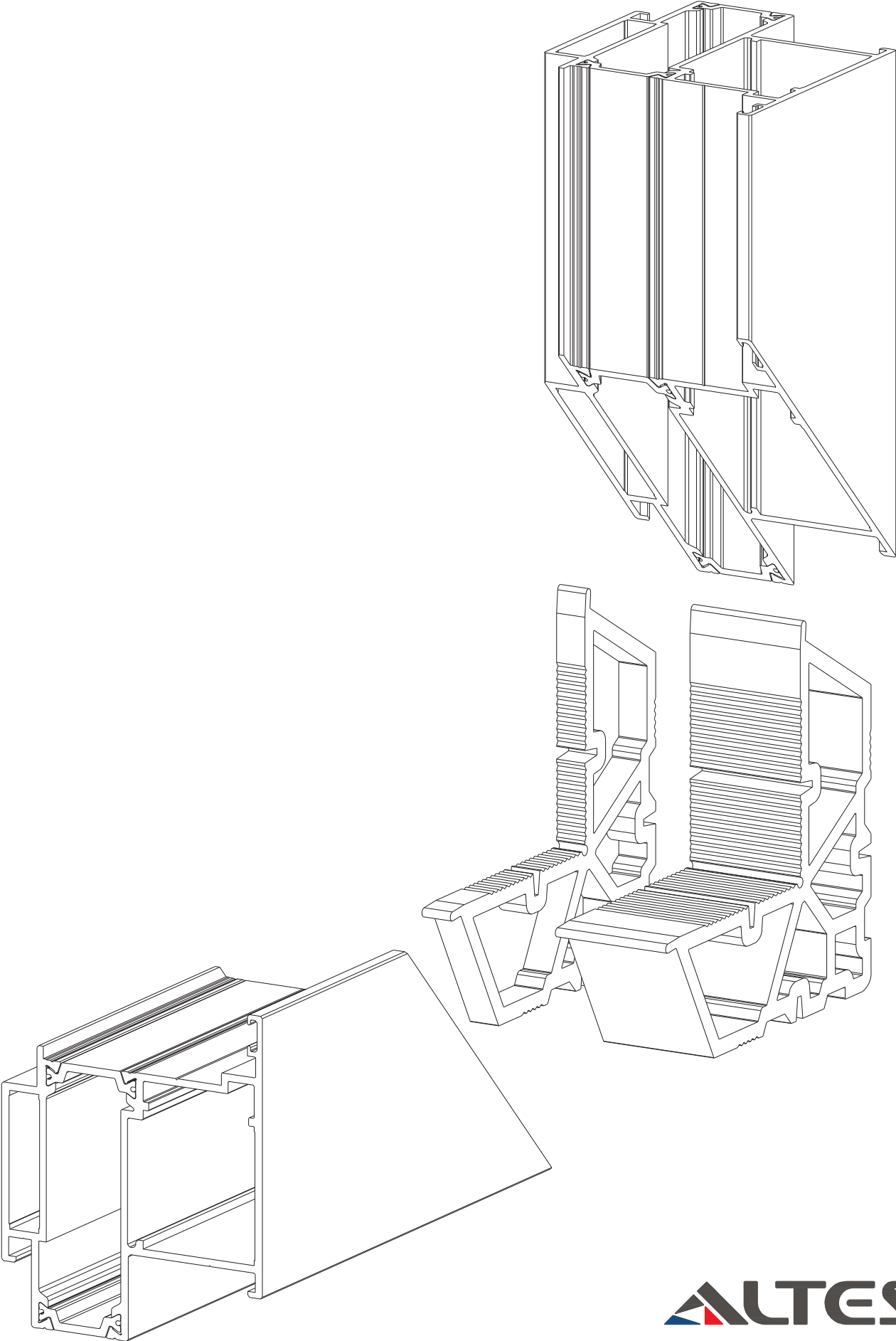
CONNECTION FRAME 05 0101



# Series WDS 70

## THREE DIMENSIONS DETAILS

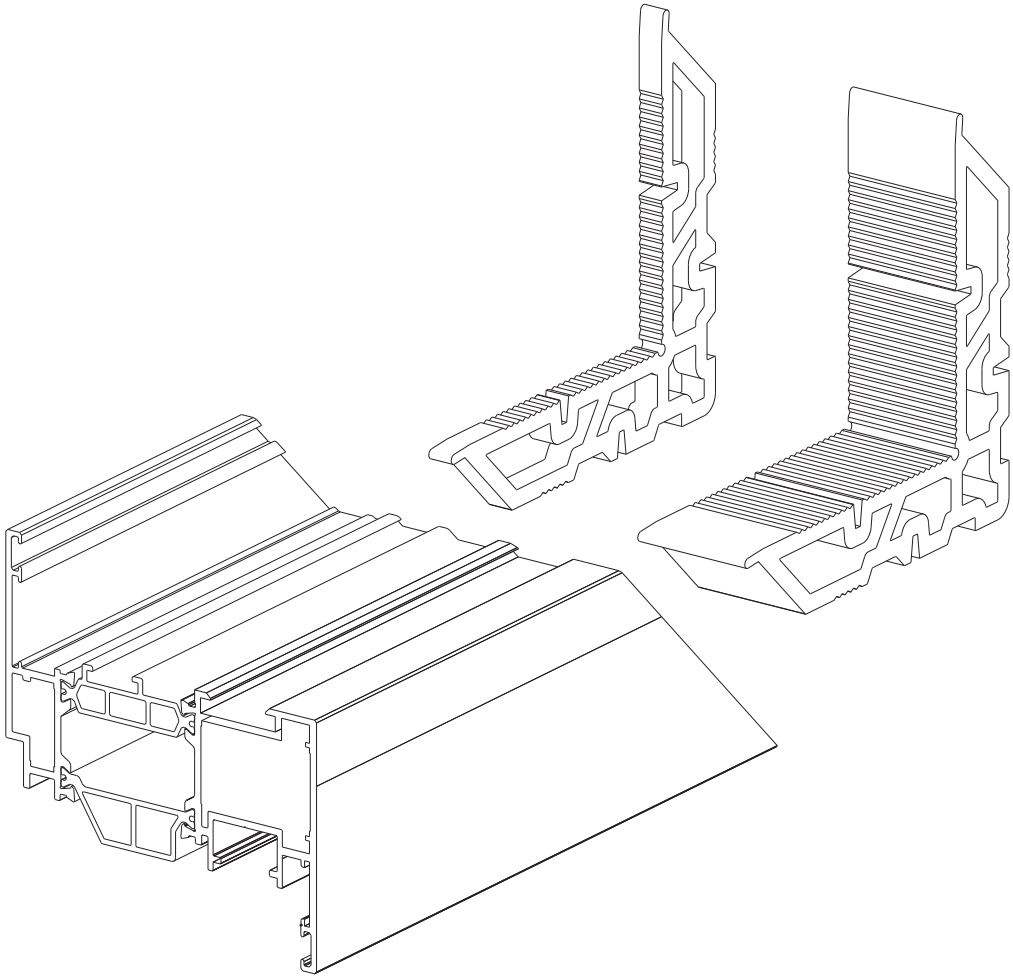
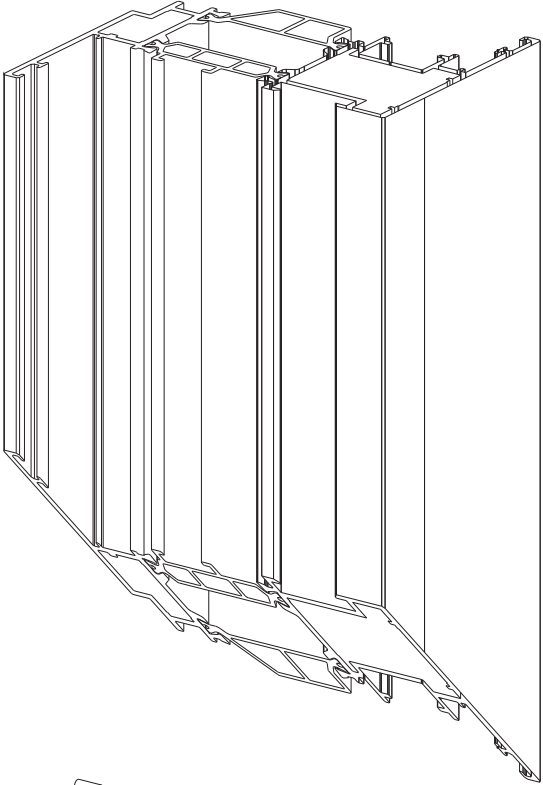
CONNECTION FRAME 05 0102



# Series WDS 70

## THREE DIMENSIONS DETAILS

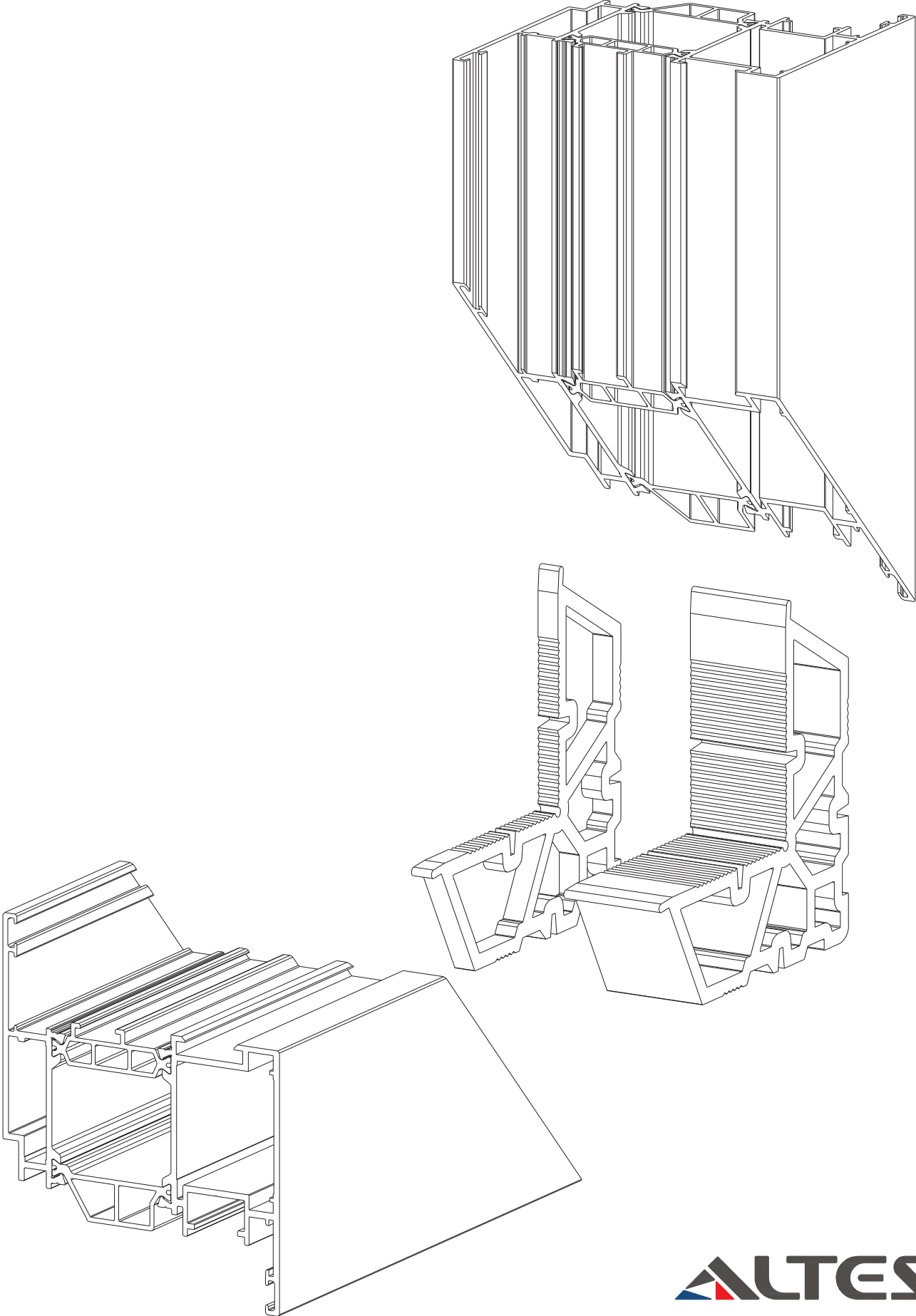
CONNECTION SASH 05 0205



# Series WDS 70

## THREE DIMENSIONS DETAILS

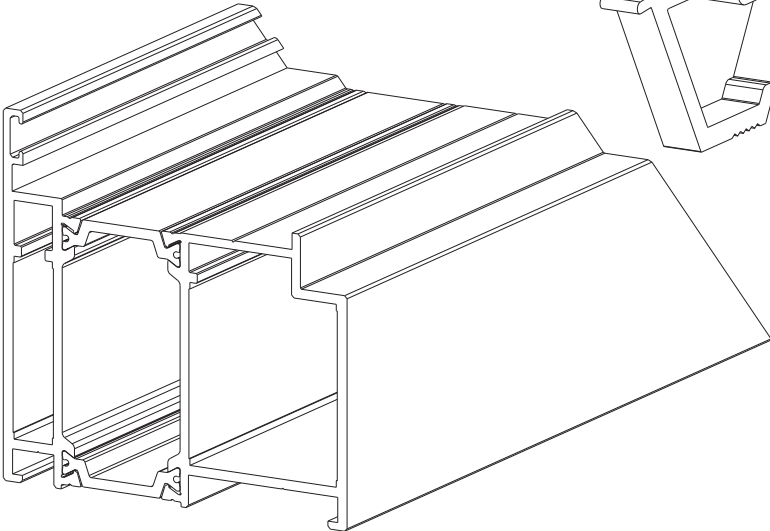
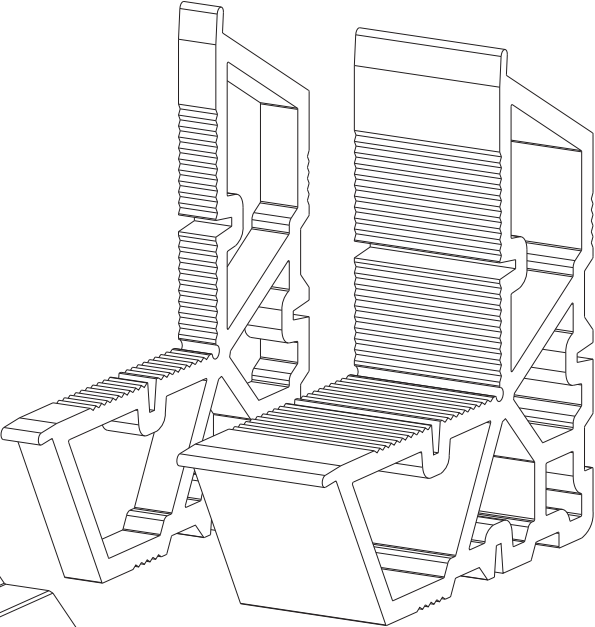
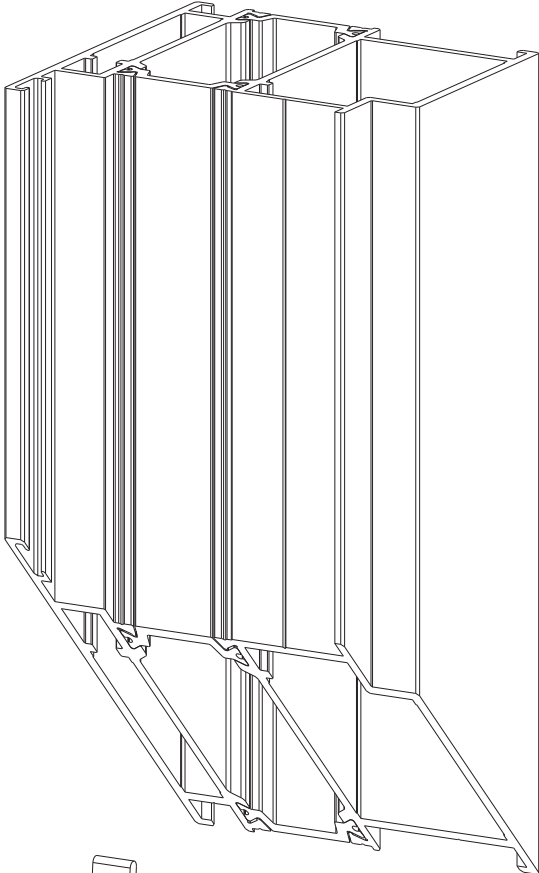
CONNECTION SASH 05 0211



# Series WDS 70

## THREE DIMENSIONS DETAILS

CONNECTION FRAME 05 1103

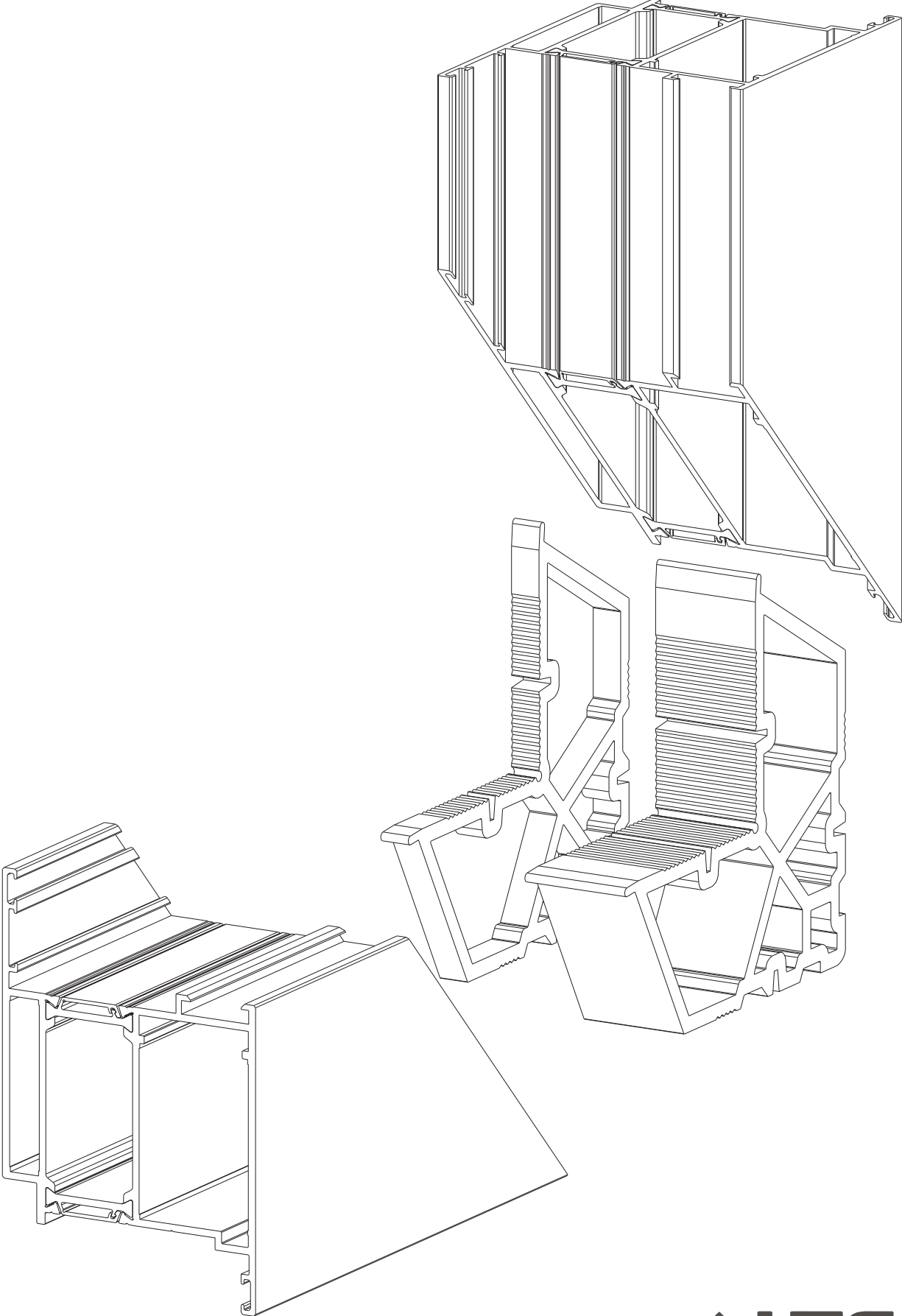




# Series WDS 70

## THREE DIMENSIONS DETAILS

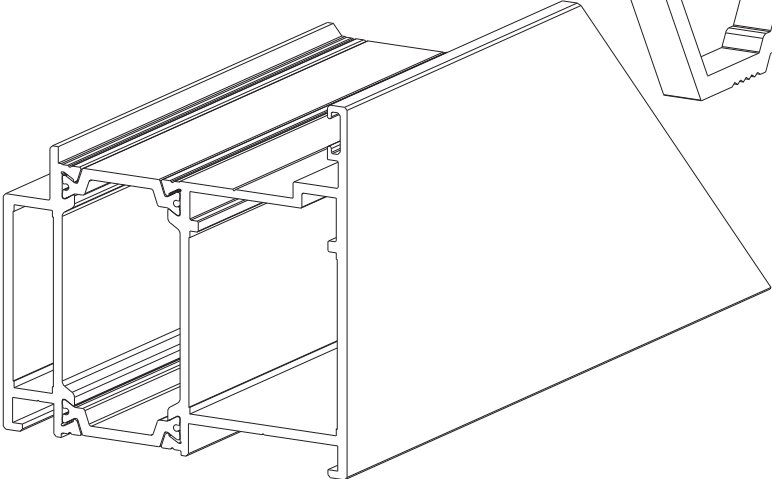
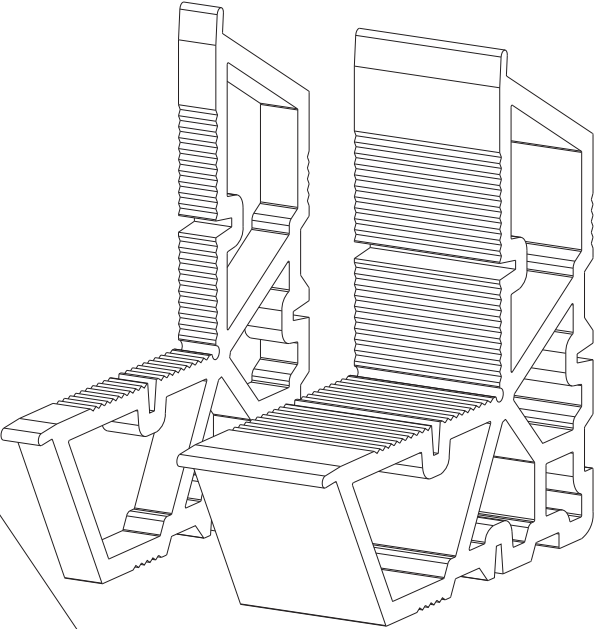
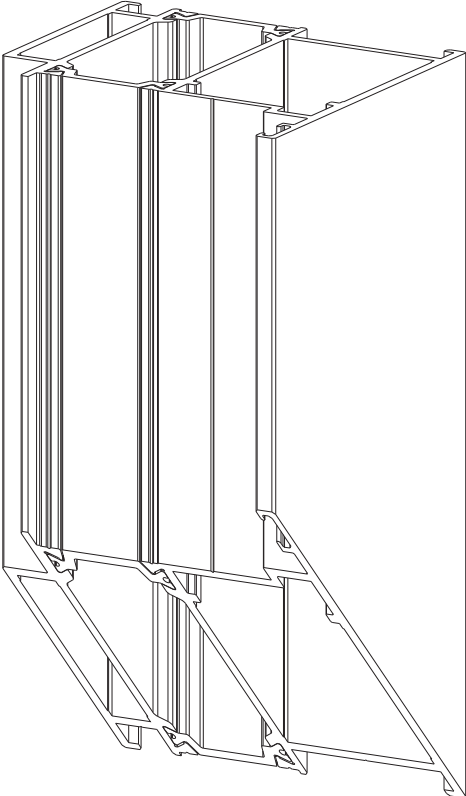
CONNECTION SASH 05 1203



# Series WDS 70

## THREE DIMENSIONS DETAILS

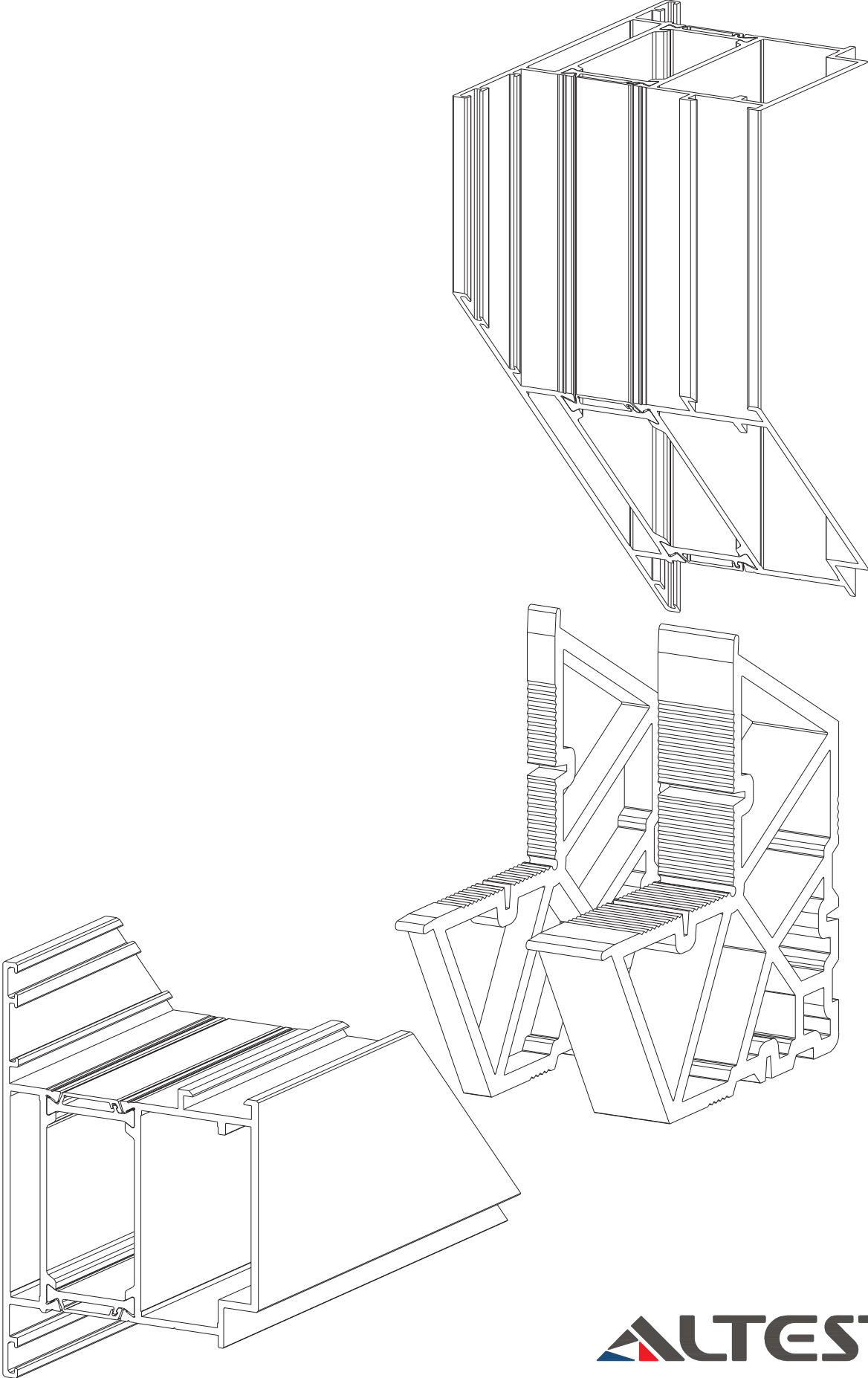
CONNECTION FRAME 05 1104



**Series  
WDS 70**

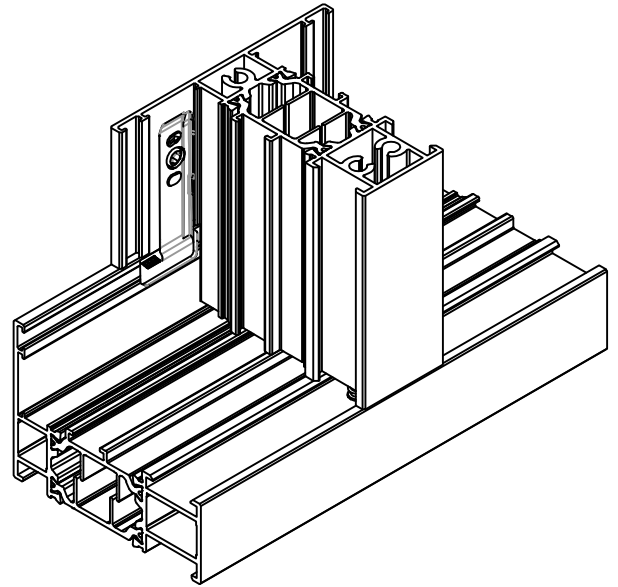
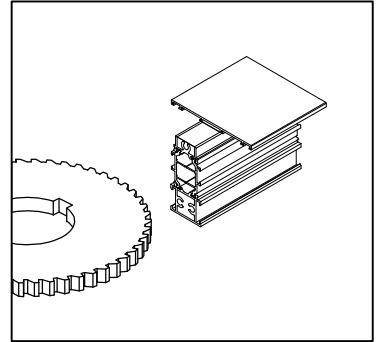
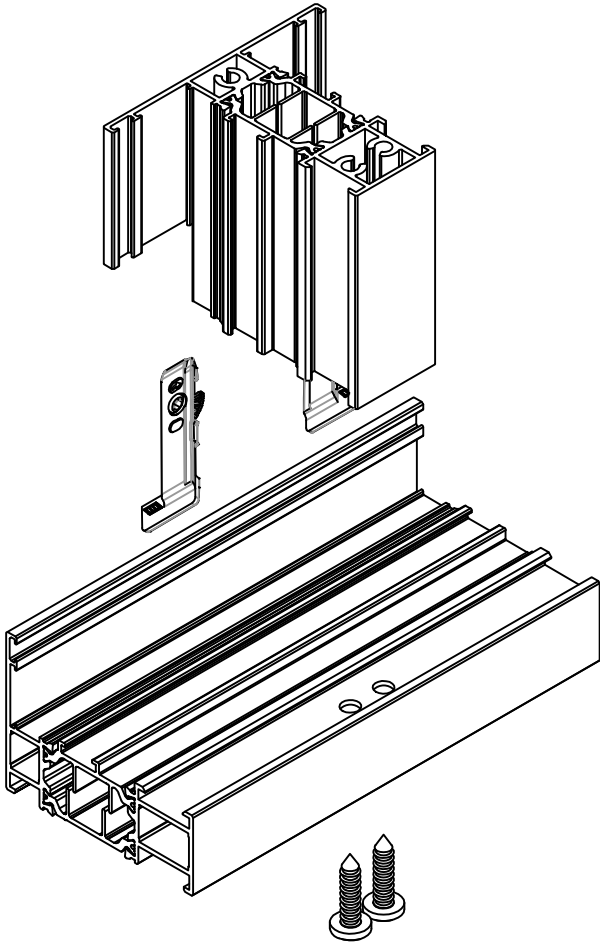
**THREE DIMENSIONS DETAILS**

CONNECTION SASH 05 1204

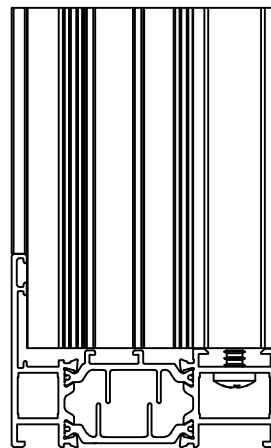
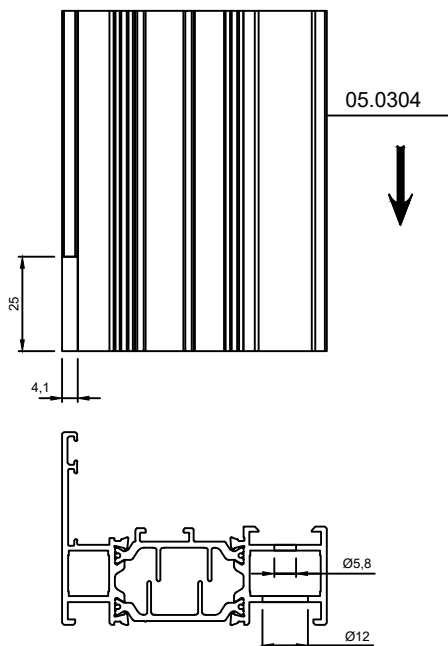


# Series WDS 70

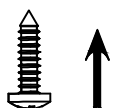
## CONNECTION "T" PROFILE 05.0304 WITH FRAME 05.0100 AND CUTTING OF "T" PROFILE



Front view  
Scale 1:2

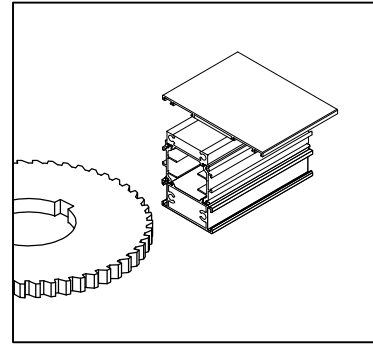
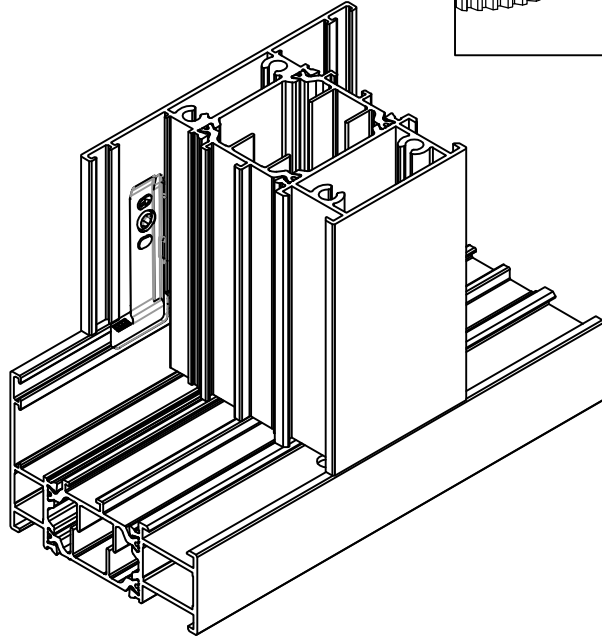
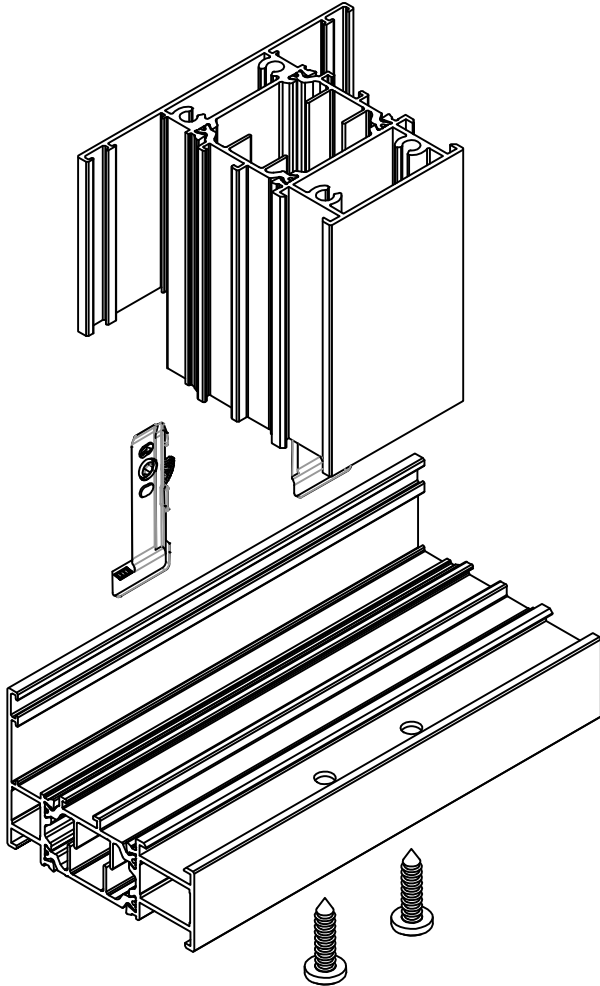


SCALE 1:2  
FRONT VIEW

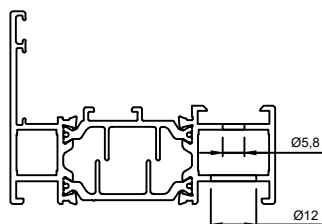
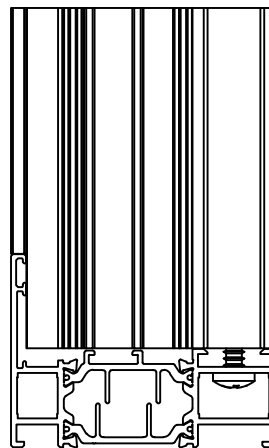
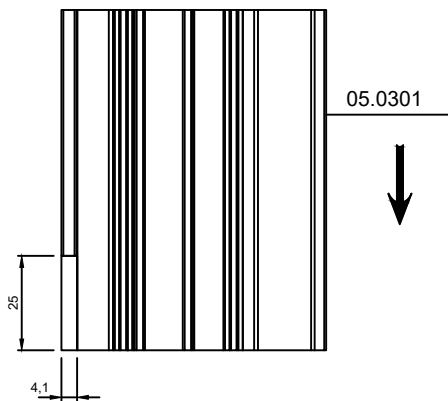


# Series WDS 70

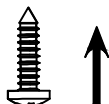
## CONNECTION "T" PROFILE 05.0301 WITH FRAME 05.0100 AND CUTTING OF "T" PROFILE



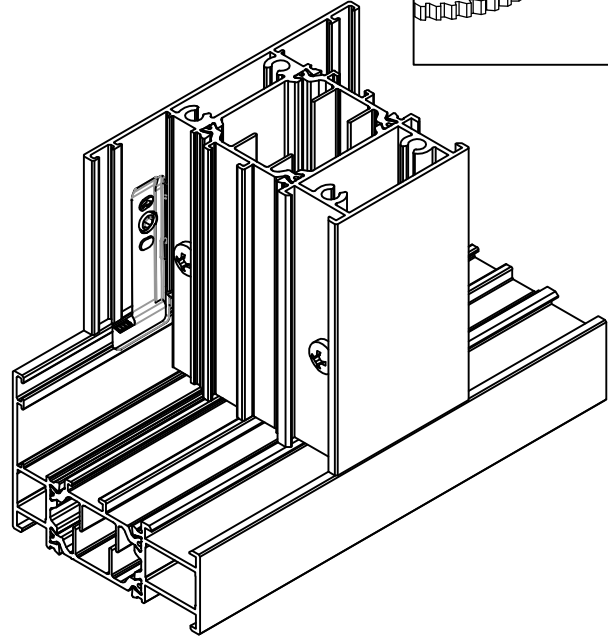
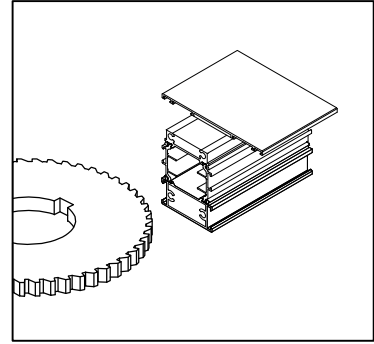
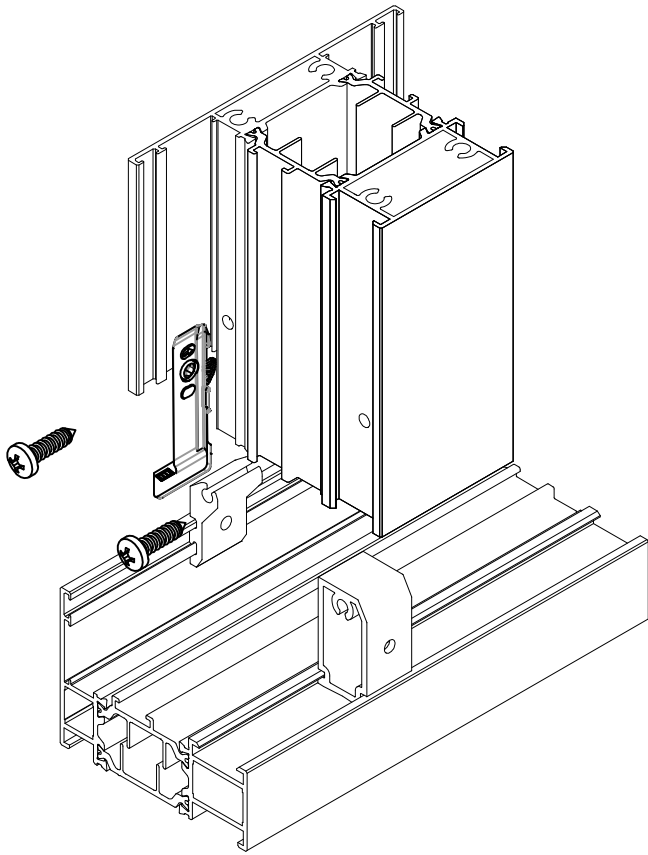
Front view  
Scale 1:2



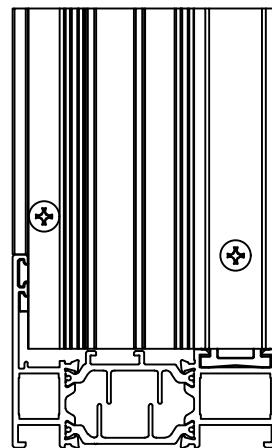
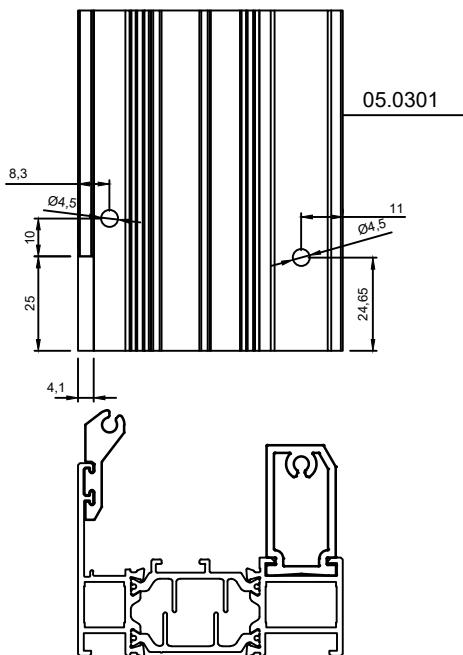
SCALE 1:2  
FRONT VIEW



CONNECTION "T" PROFILE 05.0301 WITH FRAME 05.0100  
AND CUTTING OF "T" PROFILE  
CONNECTION WITH ACCESSORIES 05-3 & 05-4

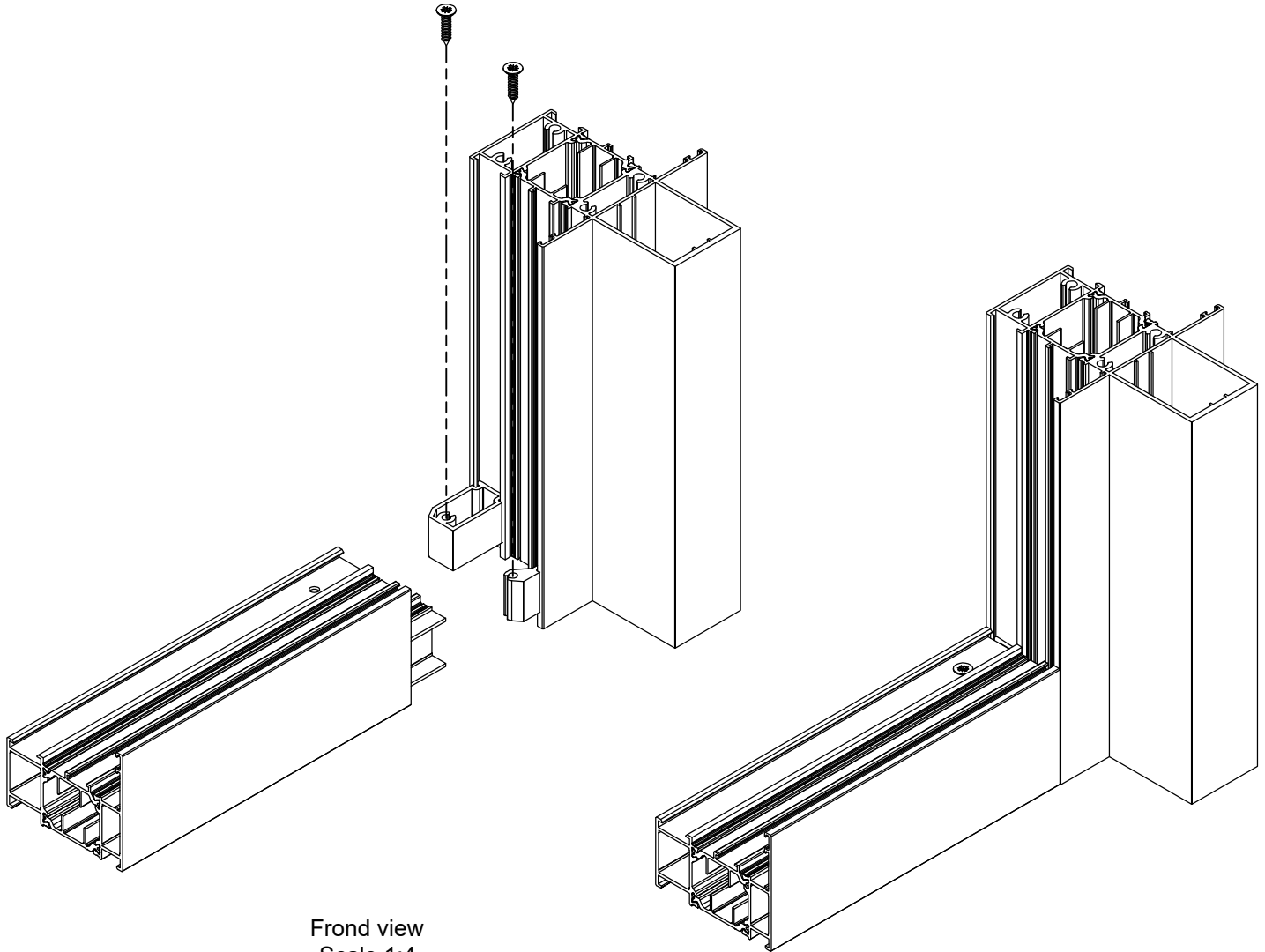


Front view  
Scale 1:2

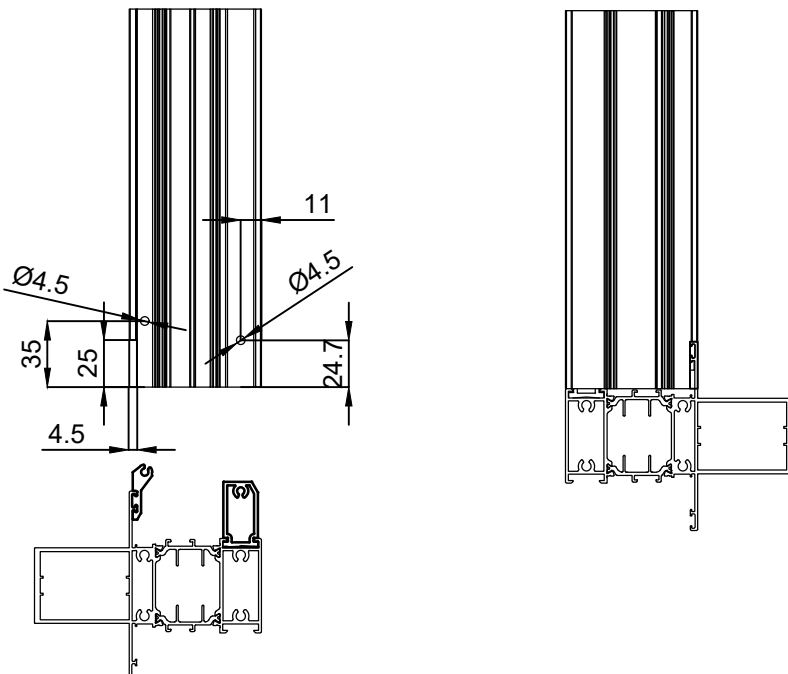


# Series WDS 70



## CONNECTION "MULION" PROFILE 05.0302 WITH FRAME 05.0101 AND CUTTING OF FRAME PROFILE CONNECTION WITH ACCESSORIES 05-3 & 05-4

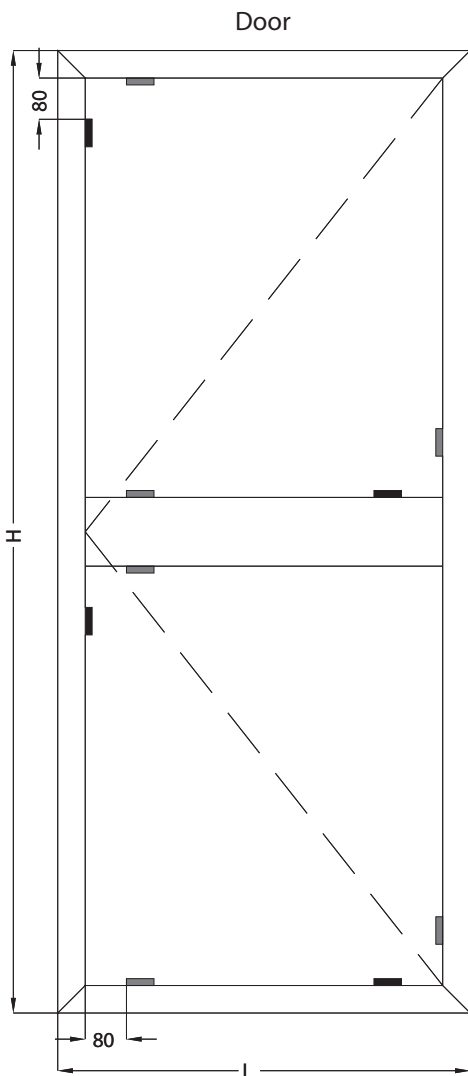


Front view  
Scale 1:4

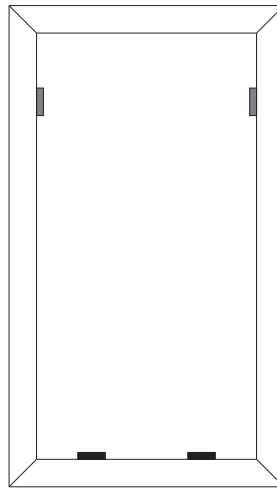


## THREE DIMENSIONS DETAILS GLAZING WEDGES

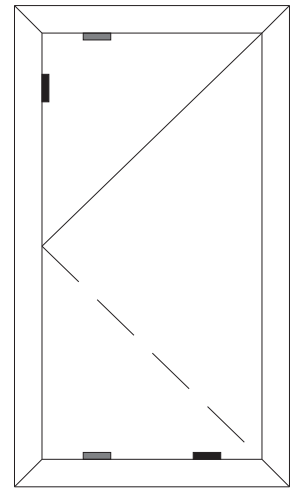
-  Glazing wedge for leveling
-  Glazing wedge for support



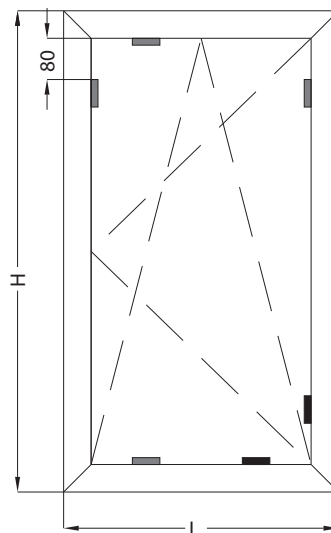
Fixed window



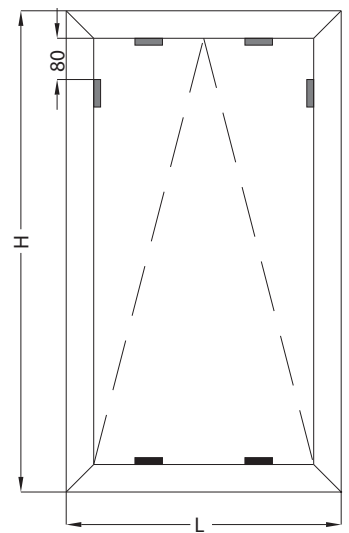
Turn window



Tilt and turn window



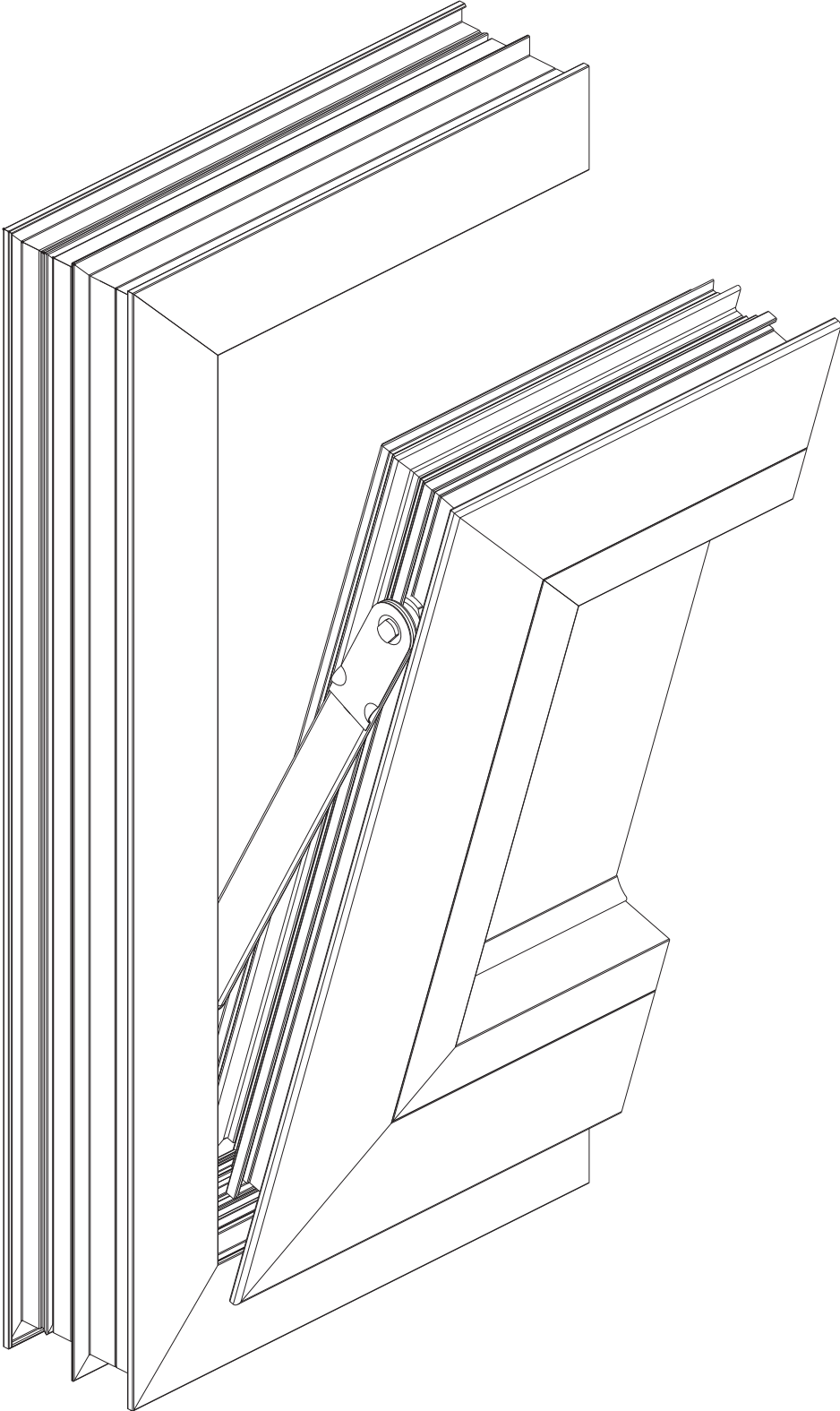
Tilt window





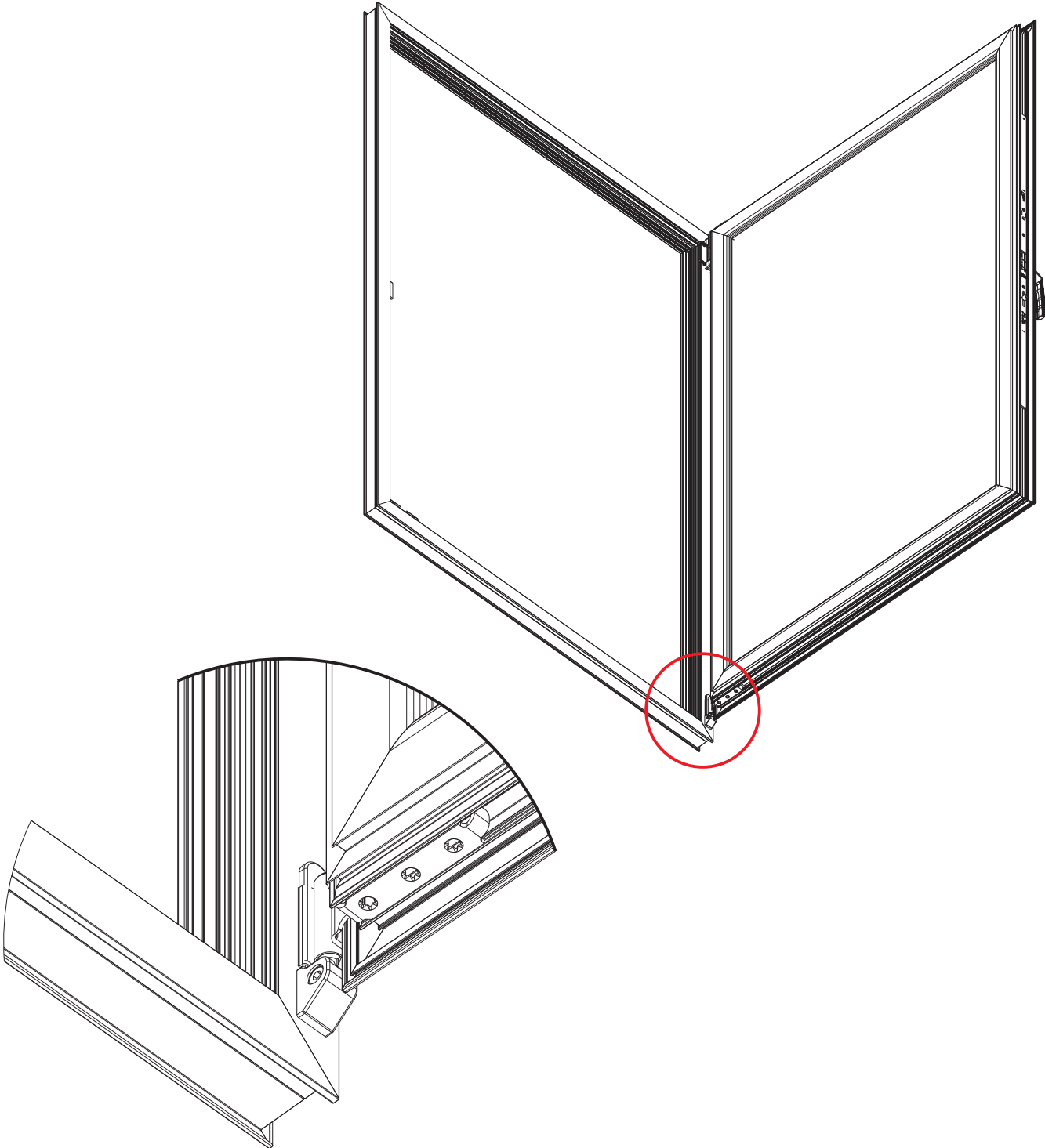
**Series  
WDS 70**

**THREE DIMENSIONS DETAILS**



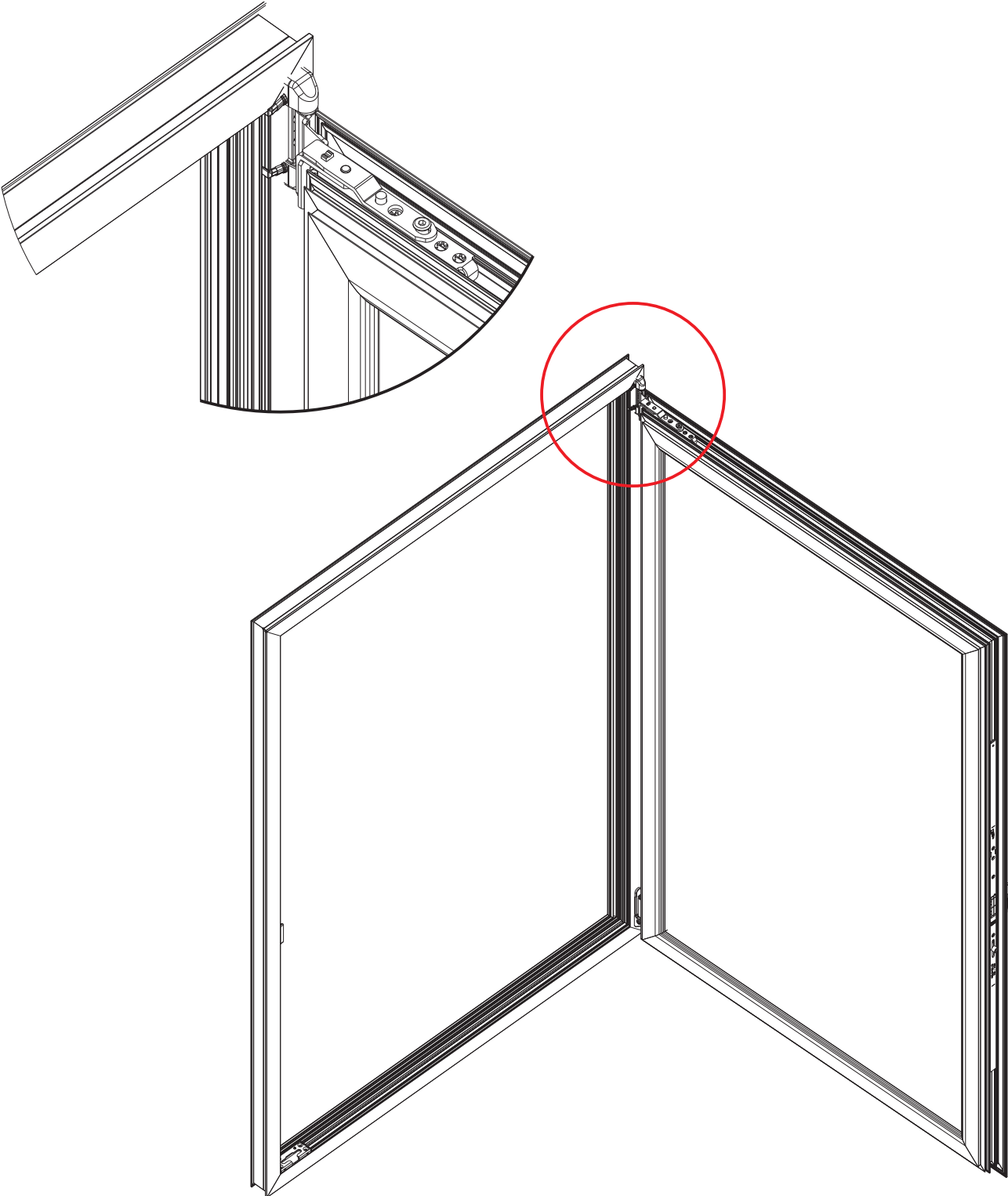
# Series WDS 70

## THREE DIMENSIONS DETAILS



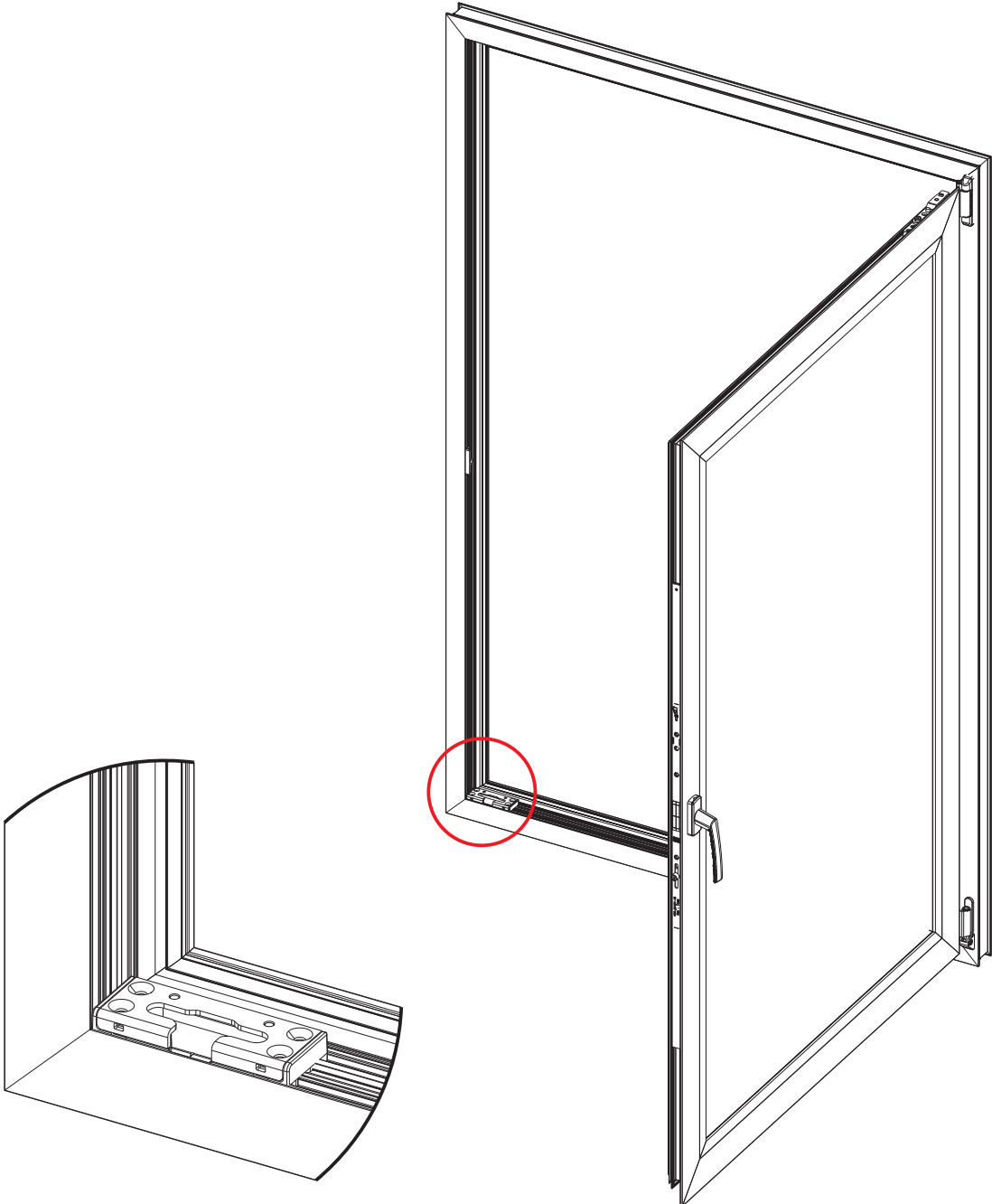
# Series WDS 70

## THREE DIMENSIONS DETAILS



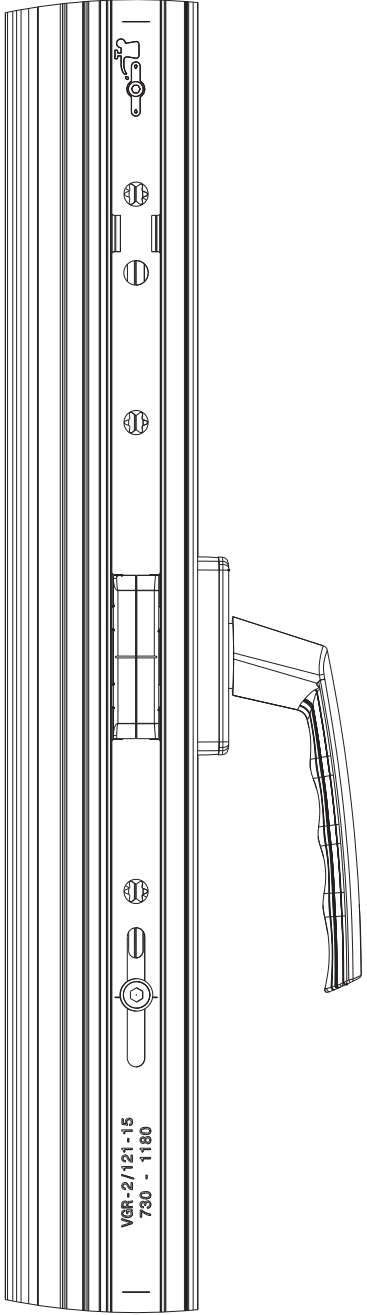
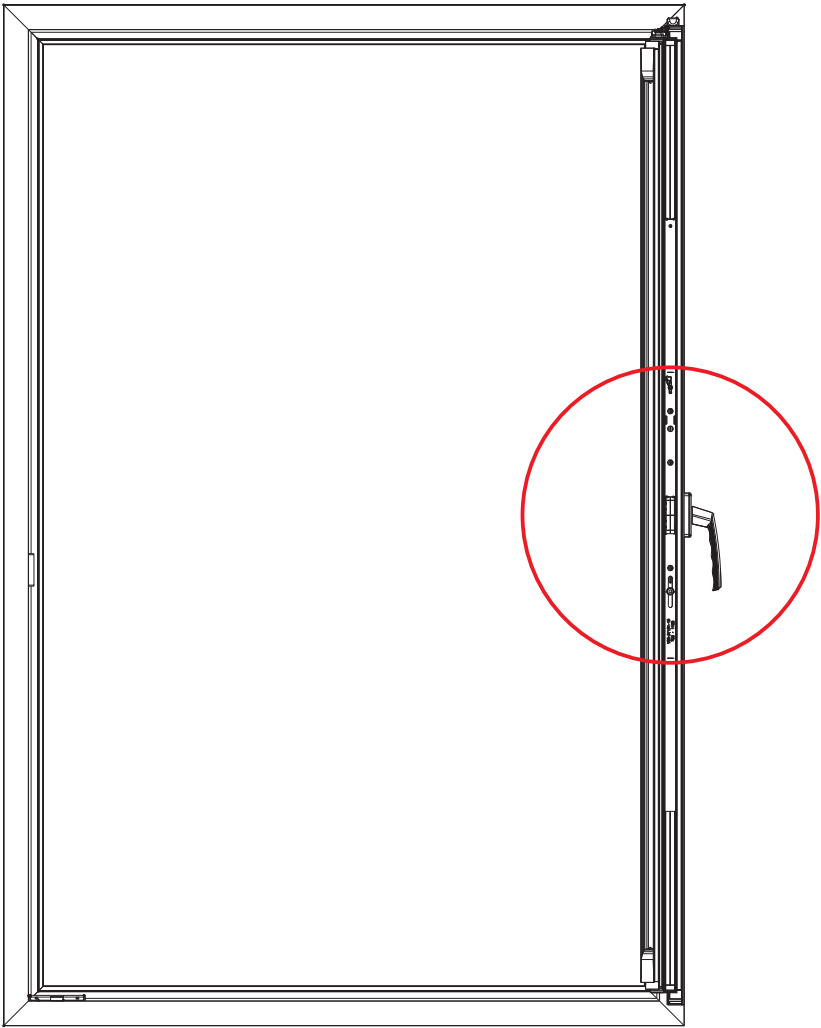
# Series WDS 70

## THREE DIMENSIONS DETAILS



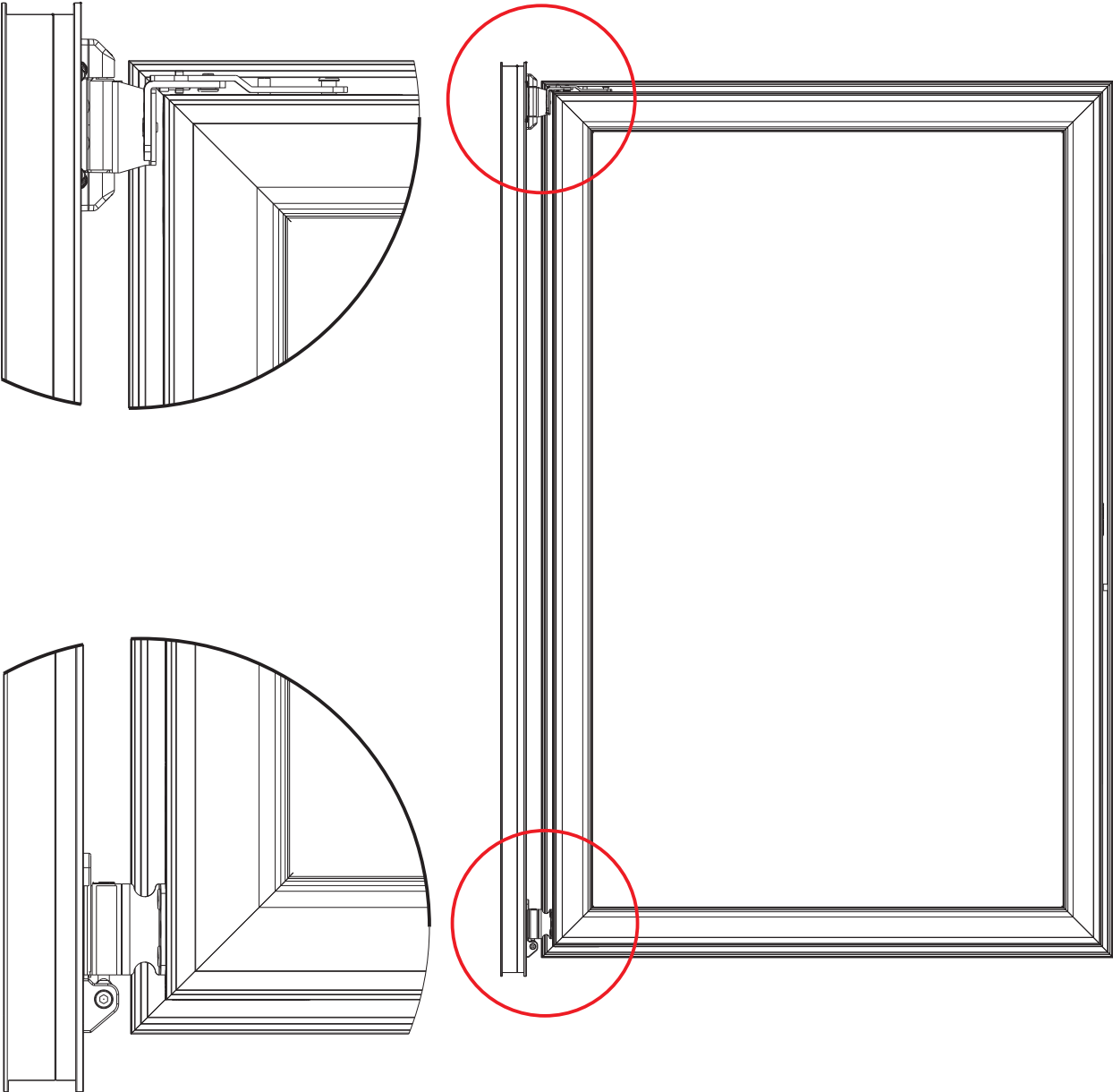
# Series WDS 70

## THREE DIMENSIONS DETAILS



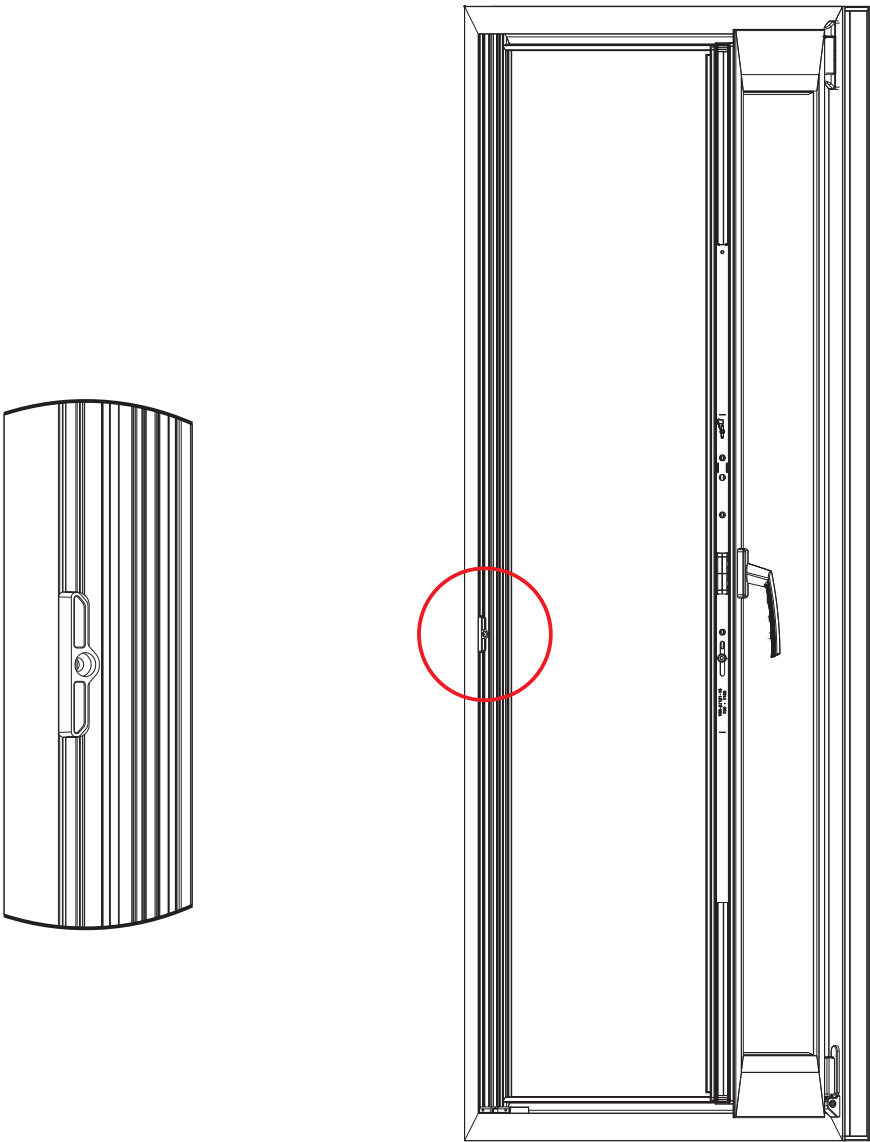
# Series WDS 70

## THREE DIMENSIONS DETAILS



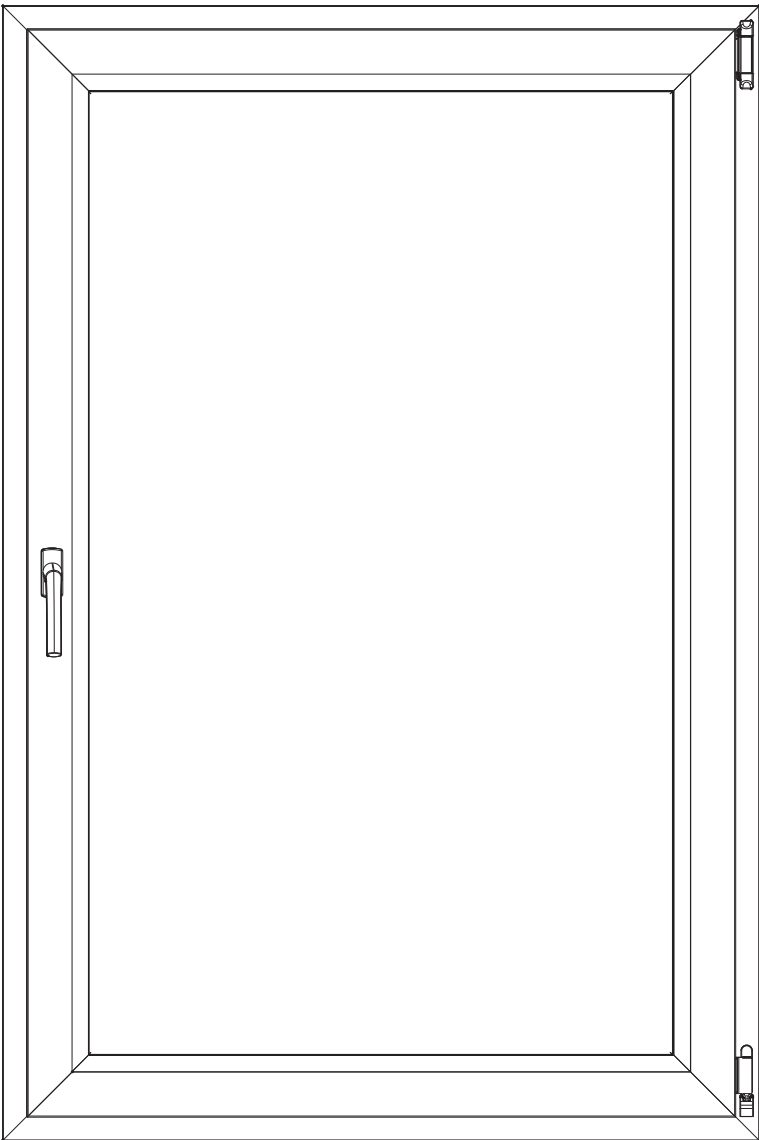
# Series WDS 70

## THREE DIMENSIONS DETAILS



# Series WDS 70

## THREE DIMENSIONS DETAILS









ALUMINIUM PROFILE SYSTEMS

**8000 Burgas**  
**South Industrial Zone, Bulgaria**

**Tel.: +359 56 880 440**  
**Fax: +359 56 880 443**  
**office@altest-kmg.com**

**[www.altest-kmg.com](http://www.altest-kmg.com)**