



A ALTEST[®] ALUMINIUM PROFILES SYSTEM



PS 50 Patio Slide System



ATTENTION!

For faultless operation, please read carefully this catalogue!

It was elaborated by ALTEST Company. Its copying, reproduction and reprinting without our consent is not welcomed!

The profiles presented in the catalogue are patented and ALTEST Company has the exclusive rights.

ALTEST Company reserves the right to modify the profiles and the presented sections at its own discretion. The system is equipped with full set of calculations made in accordance with the existing manufacturing requirements, presented in this catalogue.

In conclusion – use original ALTEST profiles in compliance with the peculiarities and the technical characteristics presented in this catalogue.

CONTENTS

INTRODUCTION	4 - 6
PROFILES	7 - 14
SECTIONS	
TYPOLOGIES	16
DOOR SECTIONS	17 - 21
WINDOW SECTIONS	22 - 23
CONNECTION DETAILS	25 - 46
THREE DIMENSIONS DETAILS	47 - 56
CUTTING DIMENSIONS	57 - 60
CUTTING LIST	
DOOR CUTTING LIST	61 - 70
WINDOW CUTTING LIST	71 - 80
ACCESSORIES	81 - 84

INTRODUCTION

Comfort and Vision

Create an enclosed space for your Café or Tavern that brings you closer to nature. With **PS 50** you can create a large opening with a new sliding system concept that opens the view to the outside.

The system has a very low threshold profile that is only 8 mm high. This allows for easy passage from the inside to the outside for wheel chairs and baby strollers.

The intermediate vertical profiles are only 18 mm and allow you to have an uninterrupted view to the outside. And the main advantage of the system is that the sash is only 20 mm in depth, which allows you to have up to 10 sliding panels at a depth of only 14 cm.

This unique glazing system is easy and flexible to use for every outdoor space and the panels can open and close easily by hand.

You can also combine the system with a retractable tent in order to completely close an outdoor space in winter time.

With **PS 50** you can make your place of business suitable for summer and winter. Create a longer summer with **PS 50**.

Define your space

The glass panels use double wheels that allow you to create the openings exactly as you wish.
Maximum glazing depth: 10 mm

Maximum dimensions of the system:

Maximum weight with double wheels: 80 Kg

Maximum height with double wheels: 2800 mm

Maximum width with double wheels: 1000 mm

Technical Details

The frames are made with natural anodized aluminium alloy EN AW 6063. The infill panels can be glass, polycarbonate, or other materials. Powder coating and other anodize finishes are available upon request.

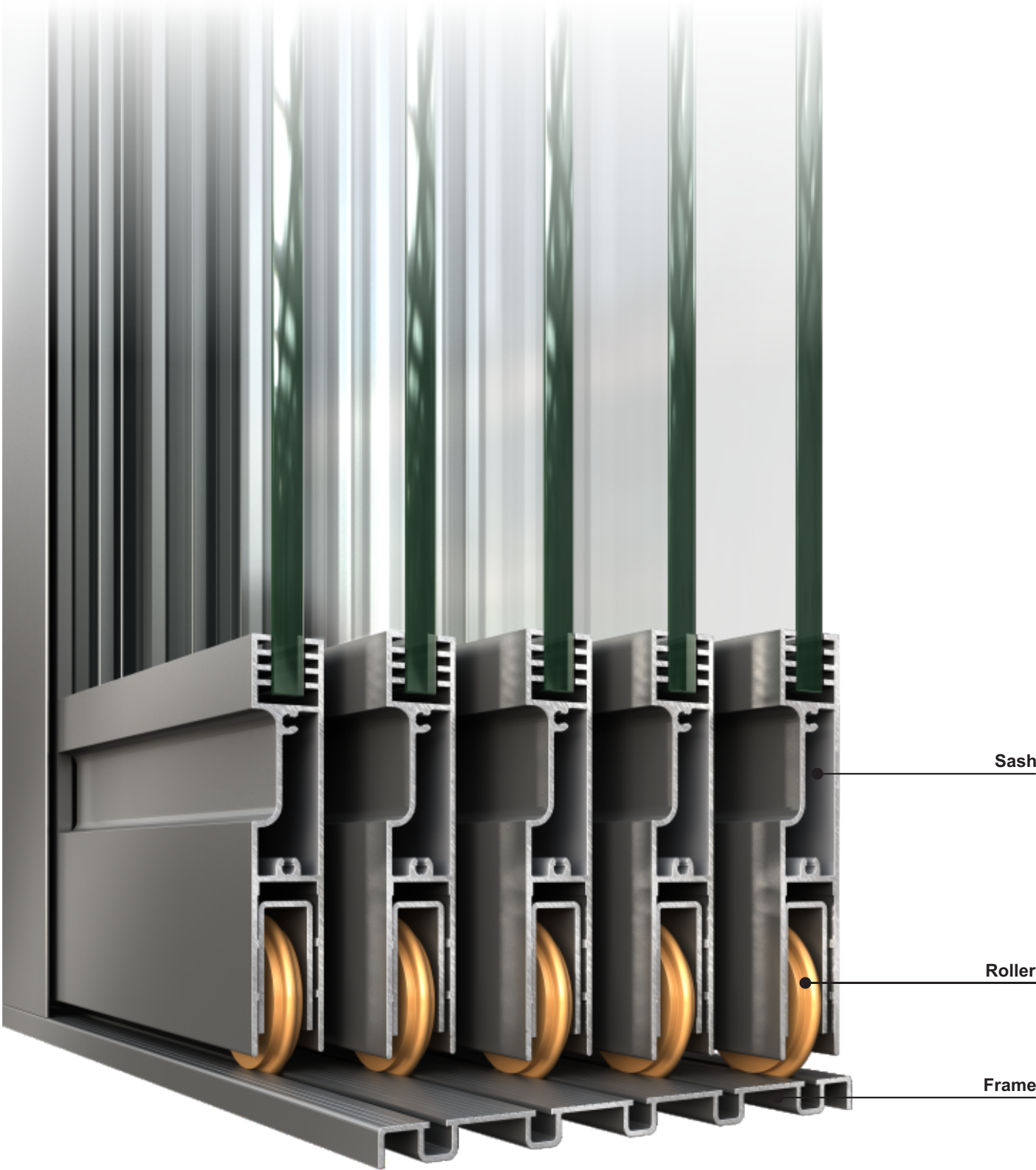
The **PS 50** system can be delivered and installed by our team of installers located in every major city in Greece.

The lock used in the **PS 50** system is placed in the glazing. At the same time, it serves as a handle, giving ease of usage, design and ideal aesthetics as it does not obstruct the view of outside space. For its construction stainless steel is used.

PS 50 Patio Slide System



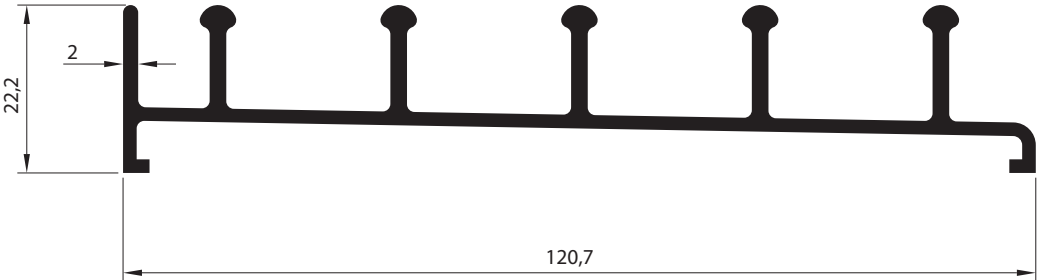
INTRODUCTION



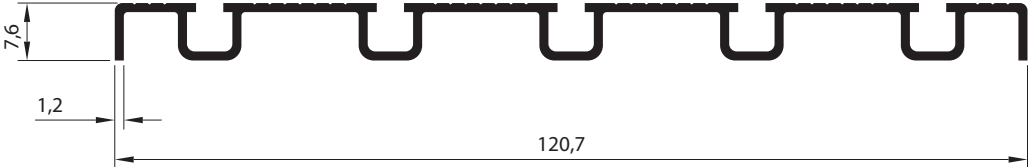
PROFILES

PROFILES

1502 Weight: 1244 gr/m

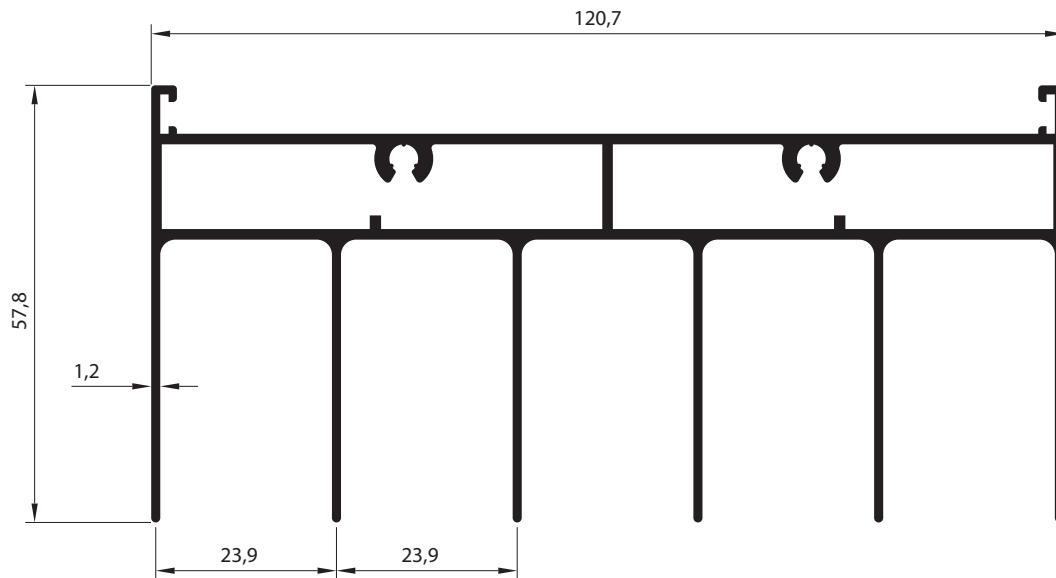


1501 Weight: 659 gr/m



PROFILES

1500 Weight: 1989 gr/m

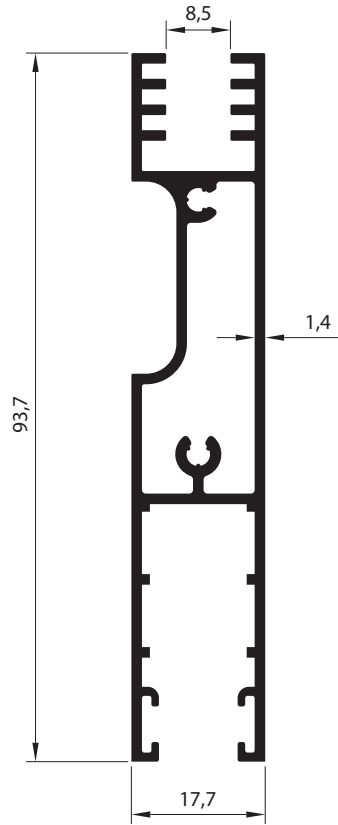


1507 Weight: 1496 gr/m

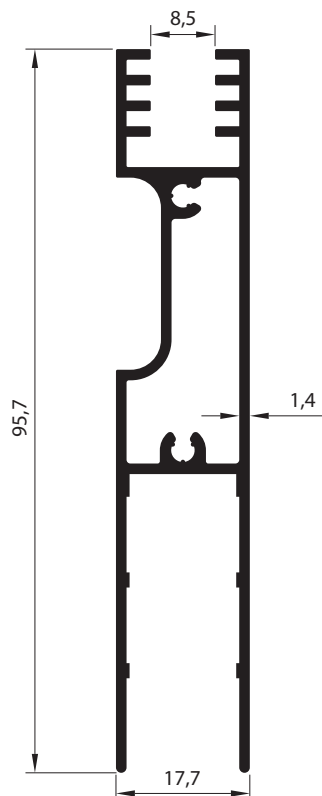


PROFILES

1504 Weight: 1014 gr/m

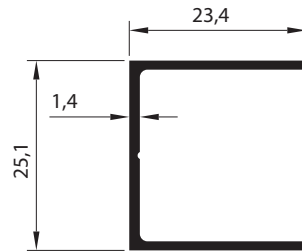


1503 Weight: 1098 gr/m

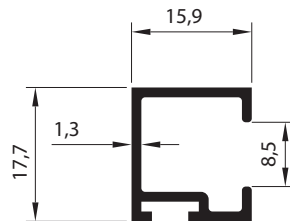


PROFILES

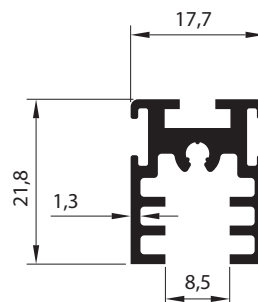
1506 Weight: 239 gr/m



1509 Weight: 208 gr/m

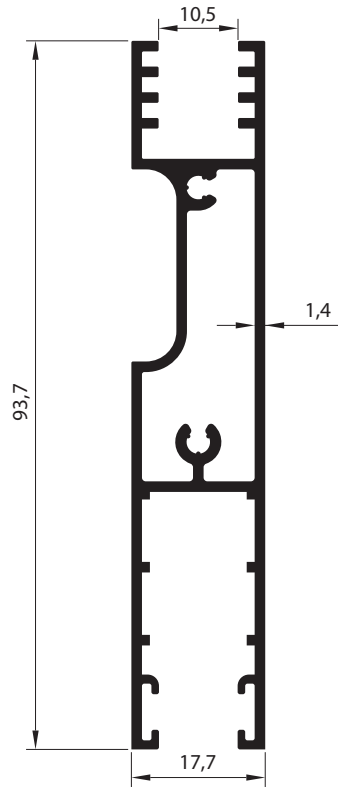


1508 Weight: 414 gr/m

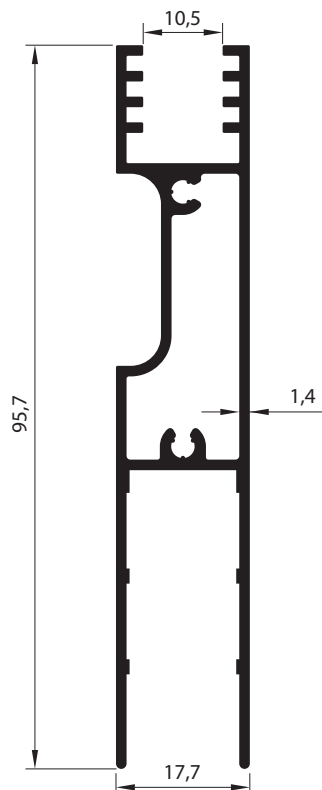


PROFILES

1511 Weight: 1067 gr/m



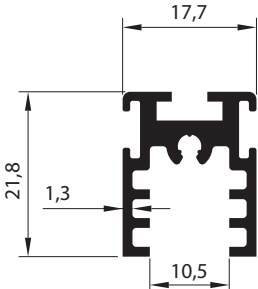
1510 Weight: 1014 gr/m



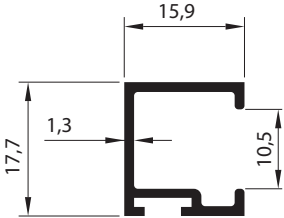
ALL OF THE PROFILE WEIGHTS ARE THEORETICAL
M 1:1

PROFILES

1512 Weight: 401 gr/m



1505 Weight: 198 gr/m



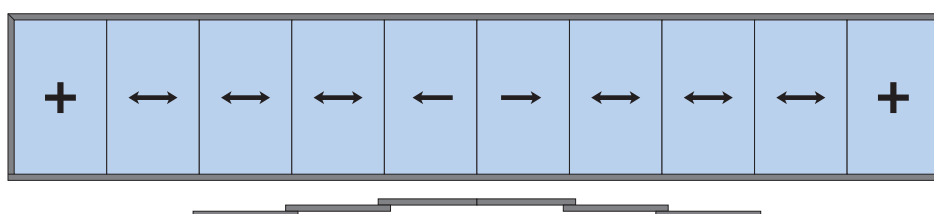
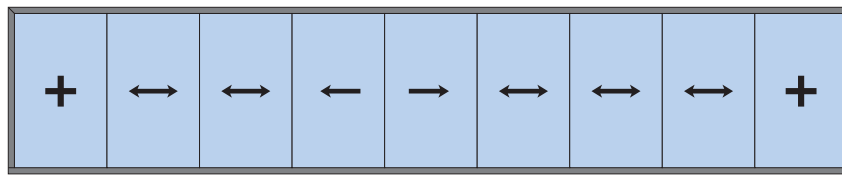
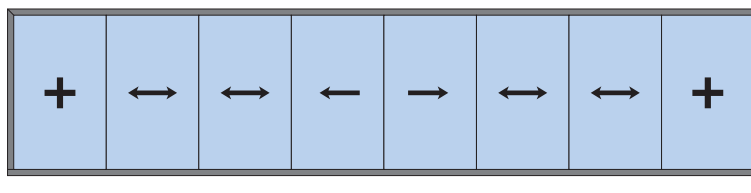
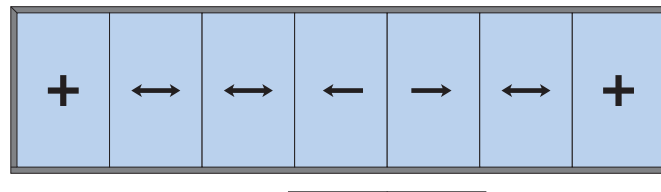
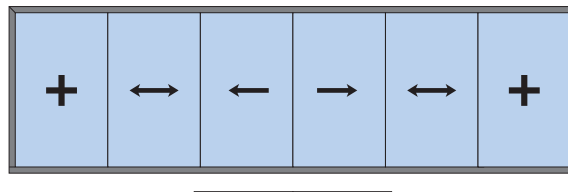
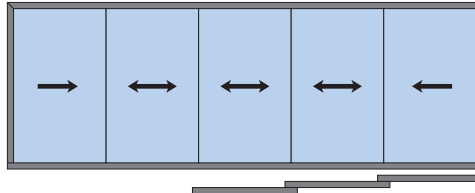
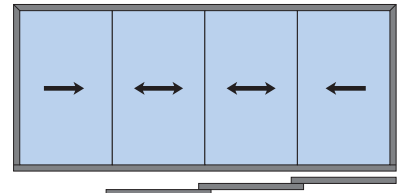
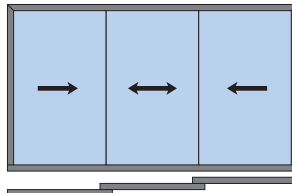
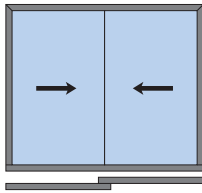
SECTIONS

TYPLOGIES

DOOR SECTIONS

WINDOW SECTIONS

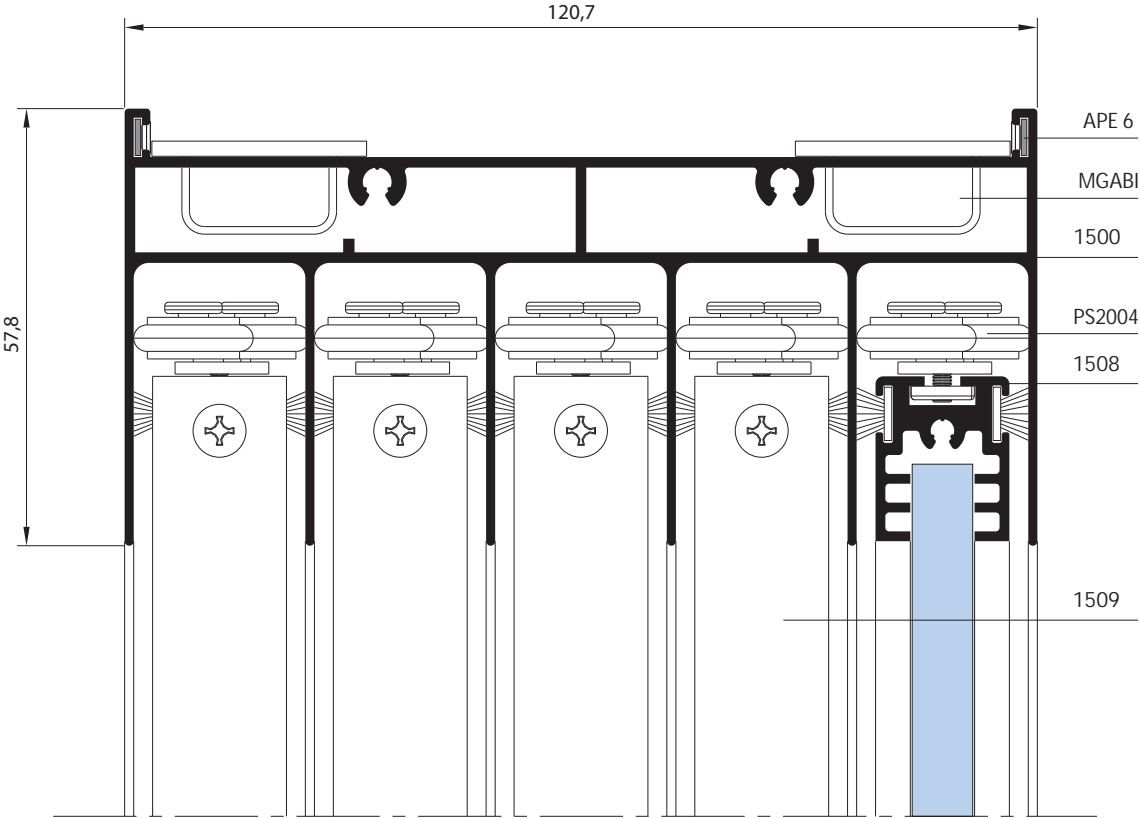
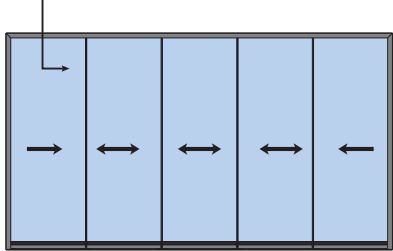
TYPOLOGIES



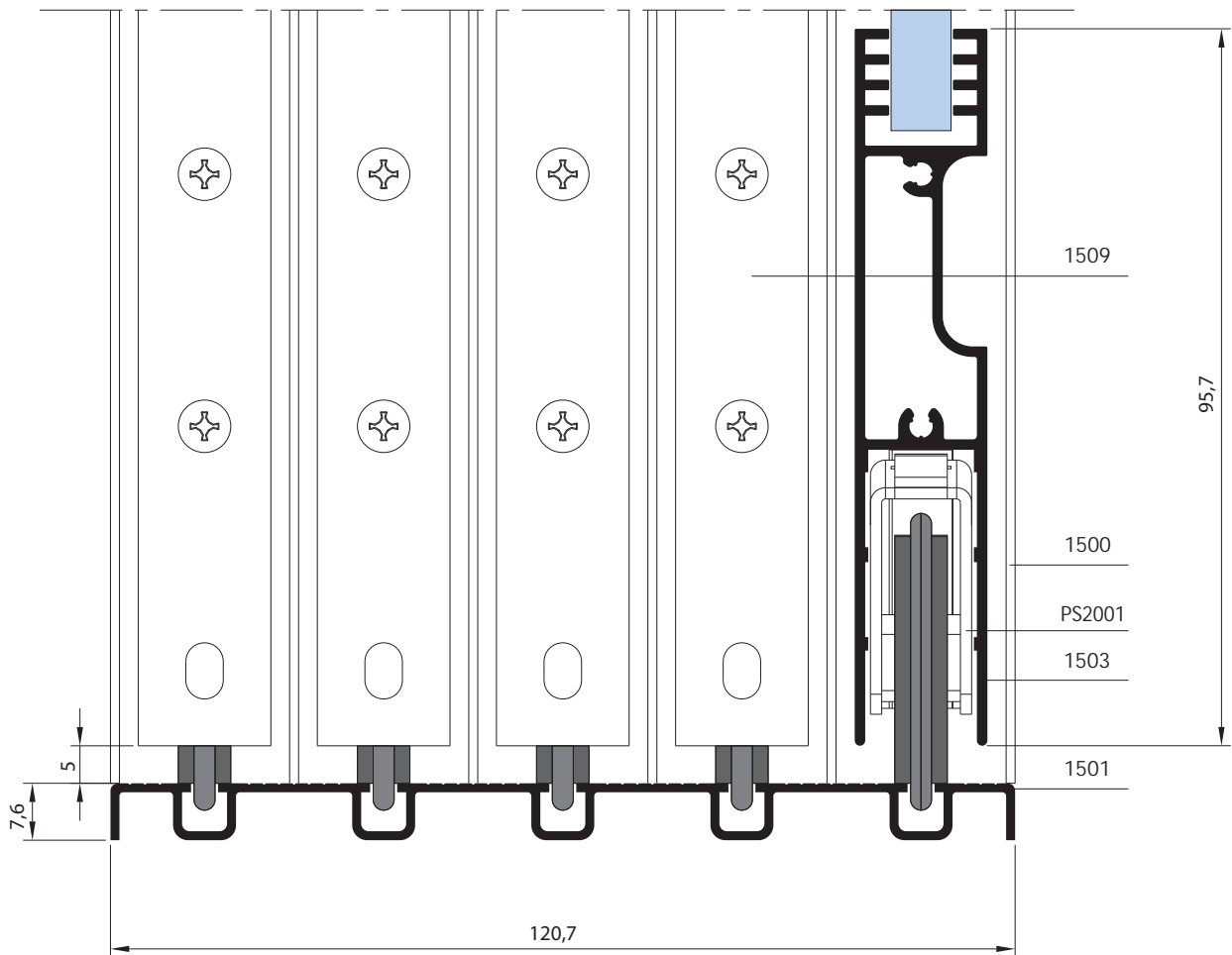
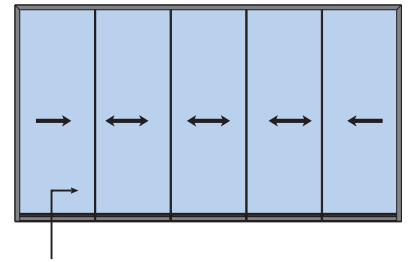
PS 50 Patio Slide System



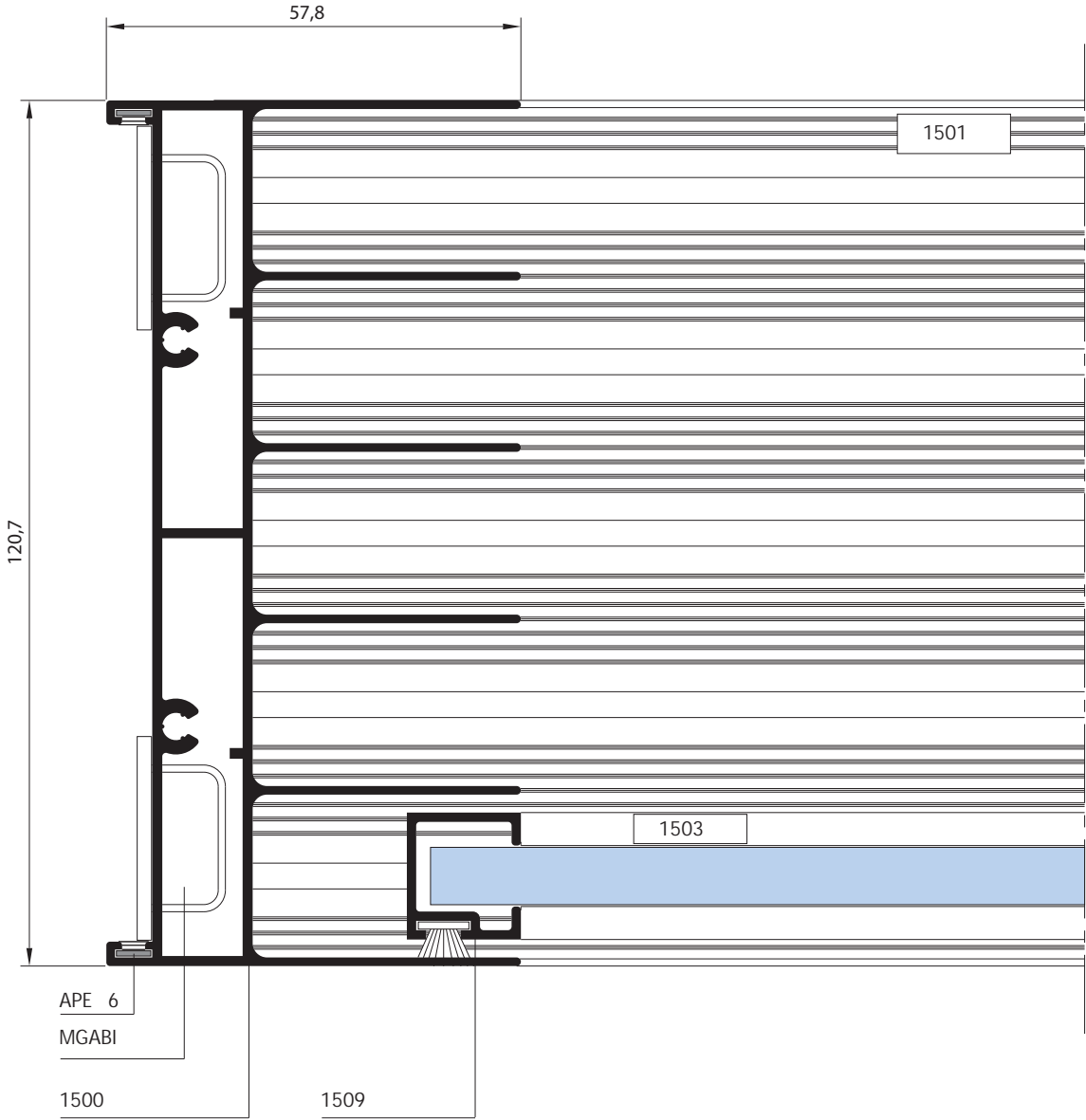
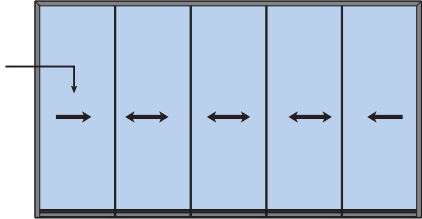
DOOR SECTIONS



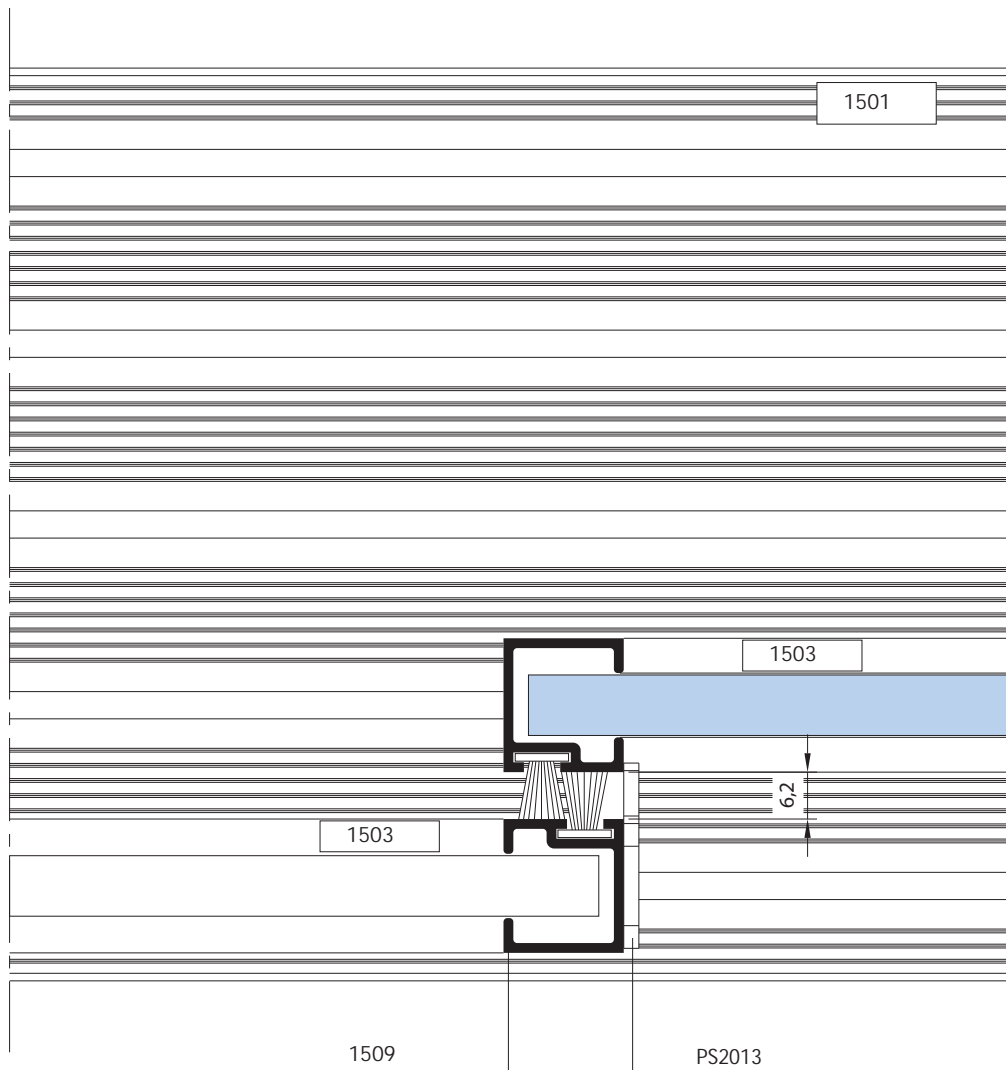
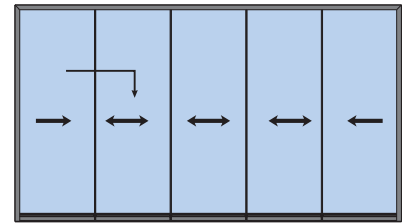
DOOR SECTIONS



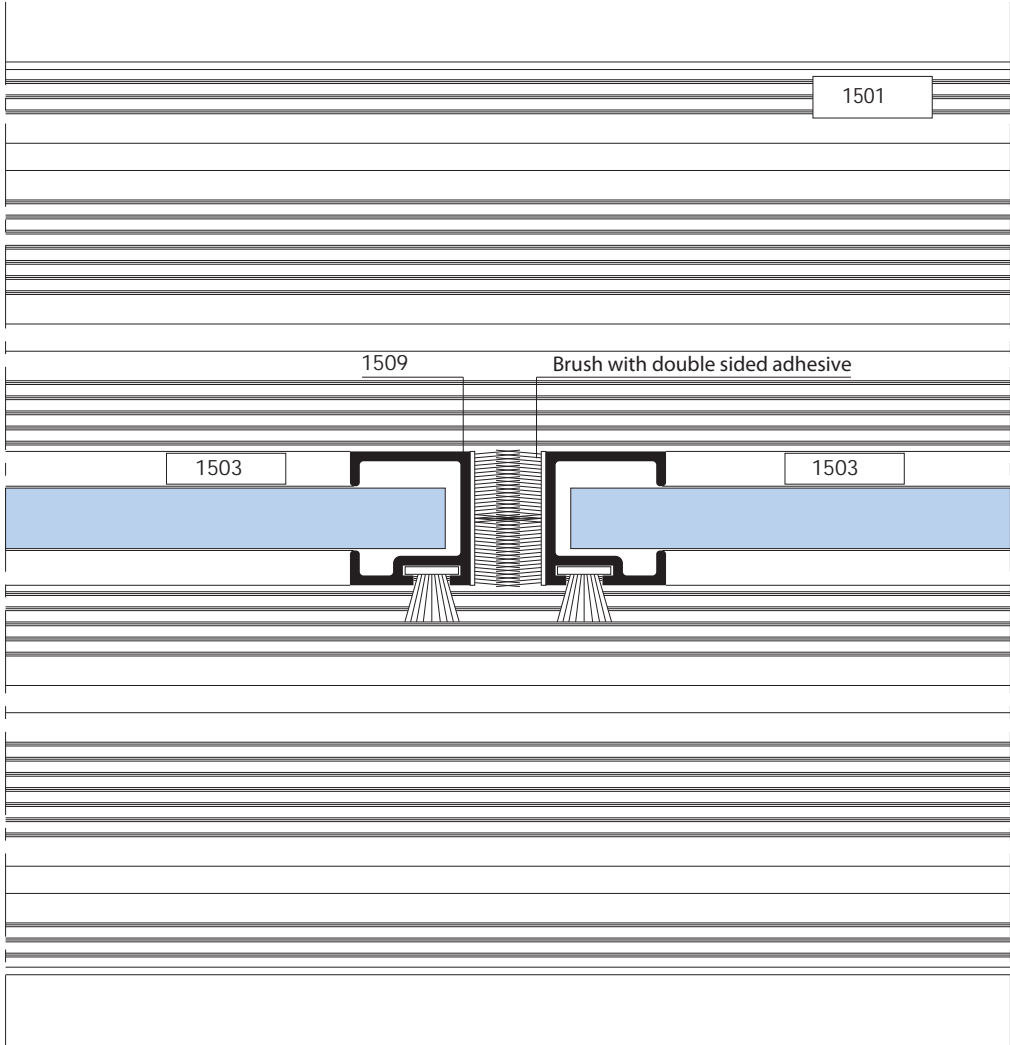
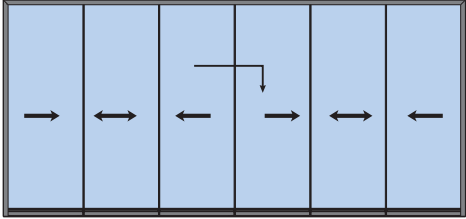
DOOR SECTIONS



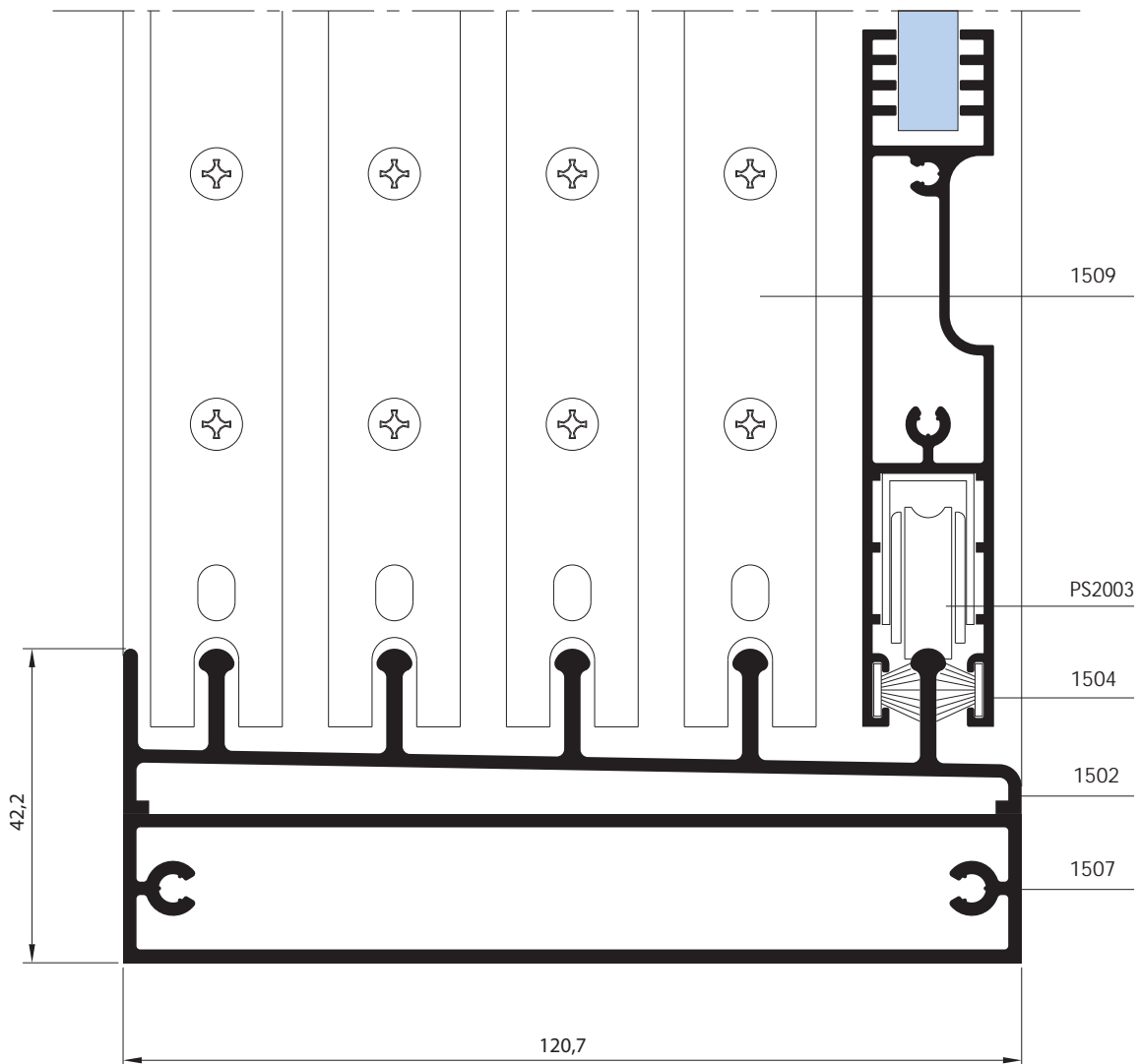
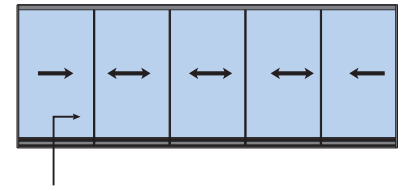
DOOR SECTIONS



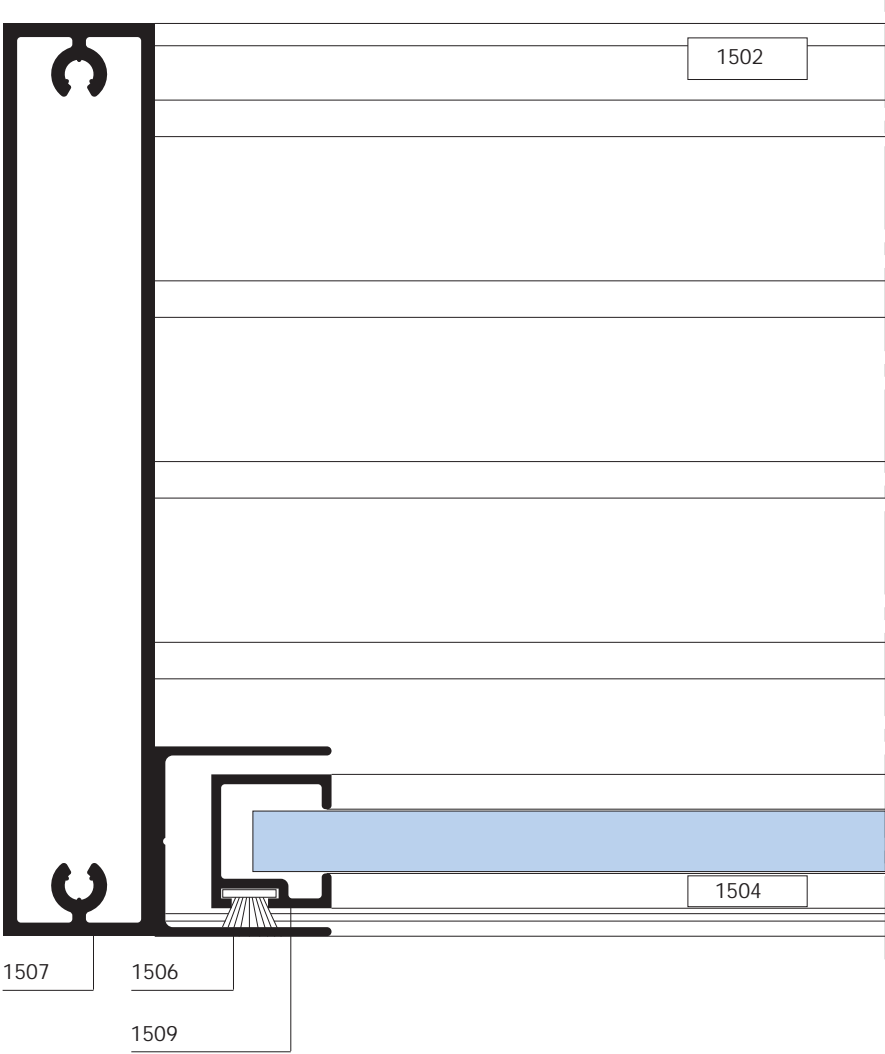
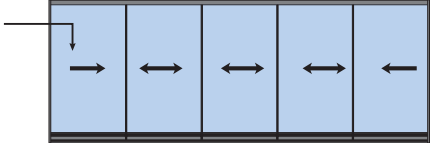
DOOR SECTIONS



WINDOW SECTIONS



WINDOW SECTIONS



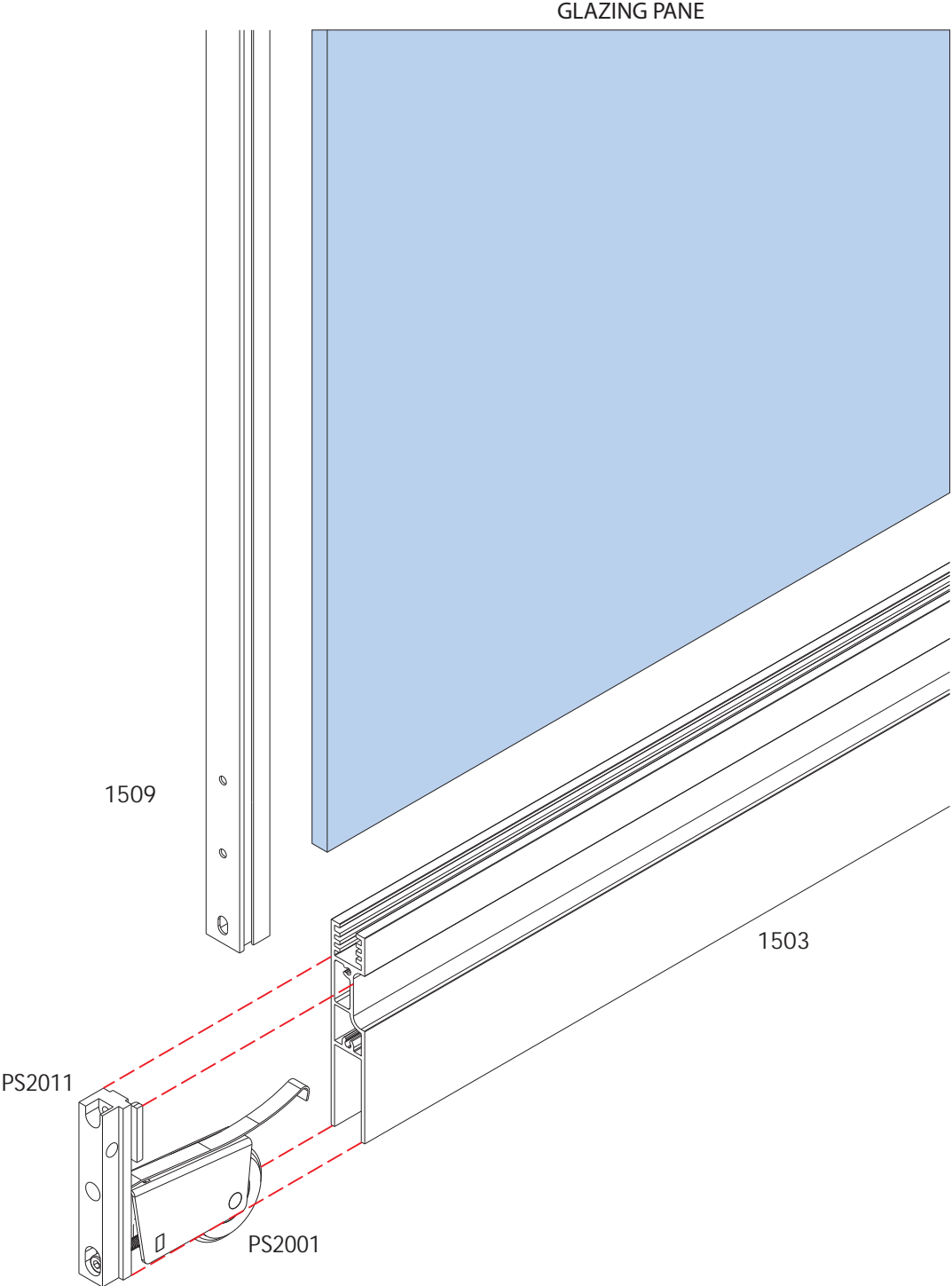
NOTES

A series of horizontal dotted lines for taking notes.

CONNECTION DETAILS

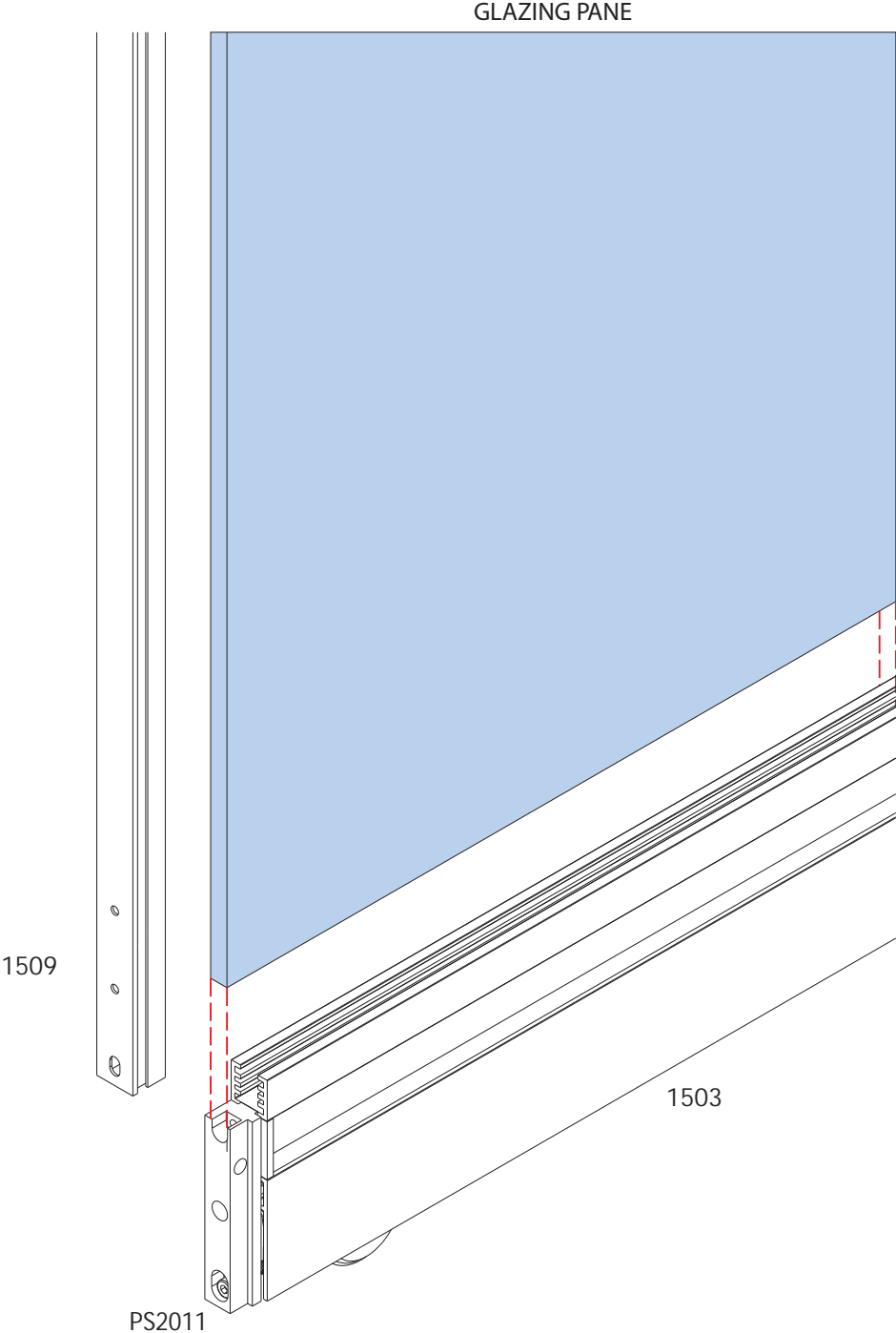
CONNECTION DETAILS

DOOR SASH



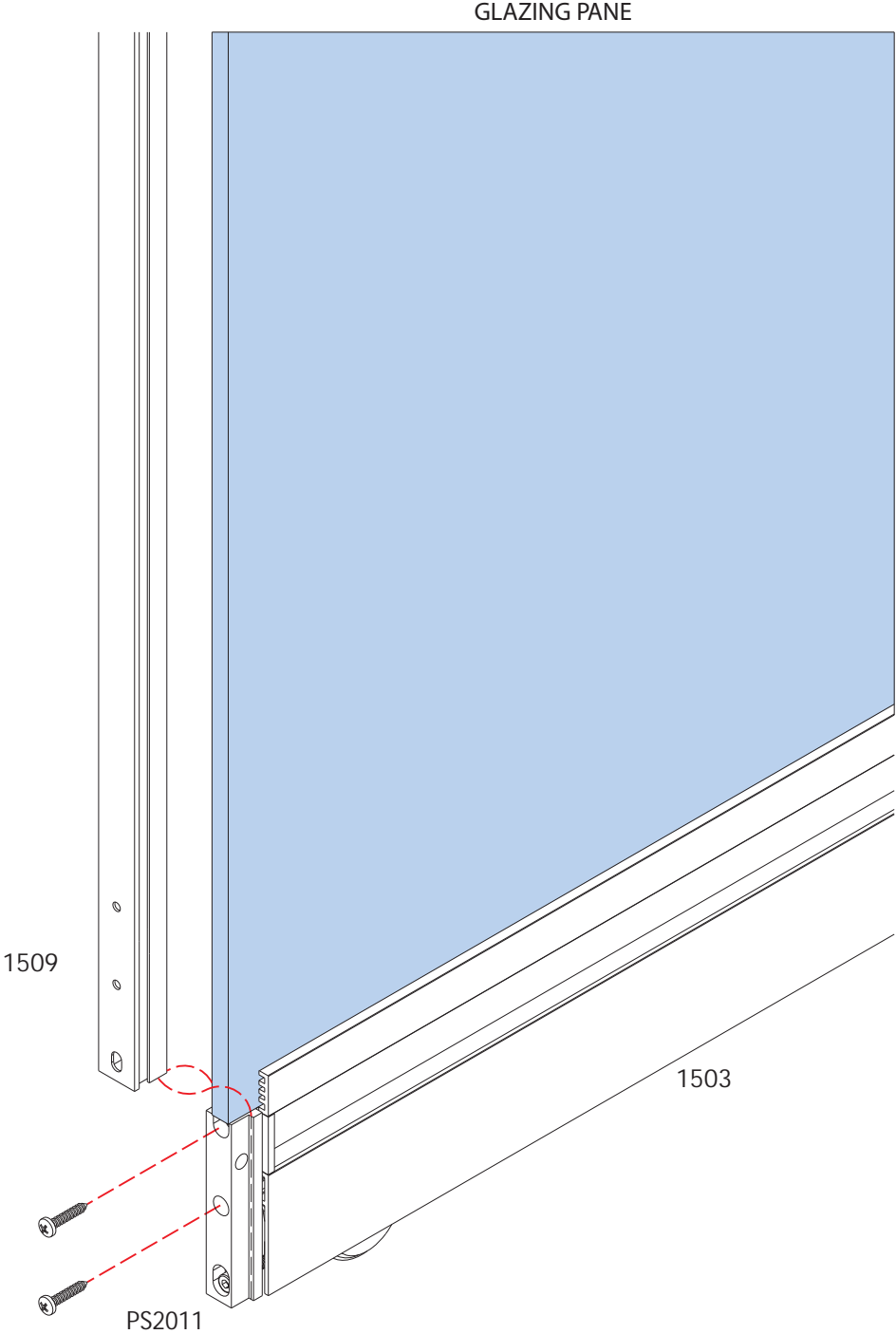
CONNECTION DETAILS

DOOR SASH



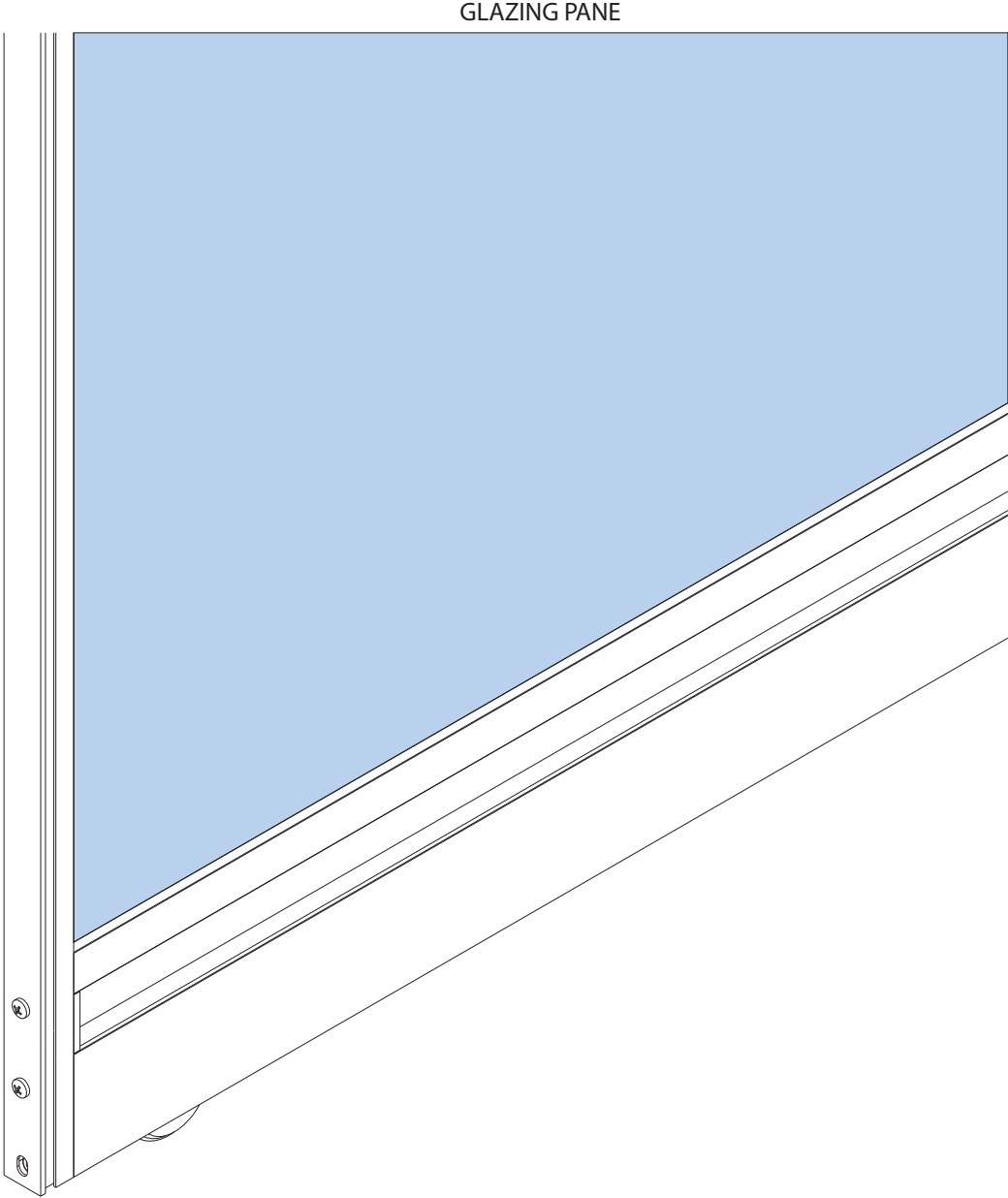
CONNECTION DETAILS

DOOR SASH



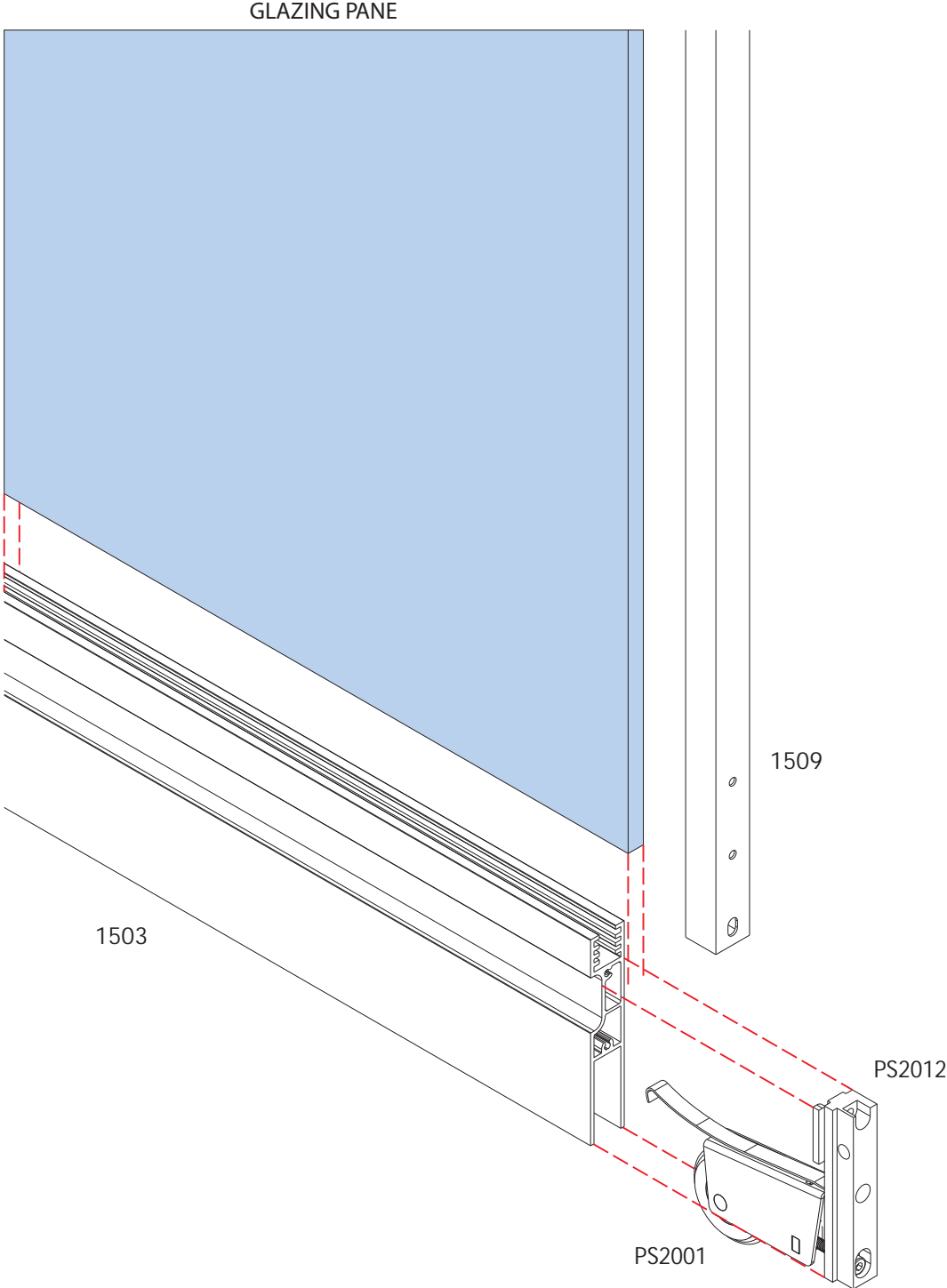
CONNECTION DETAILS

DOOR SASH



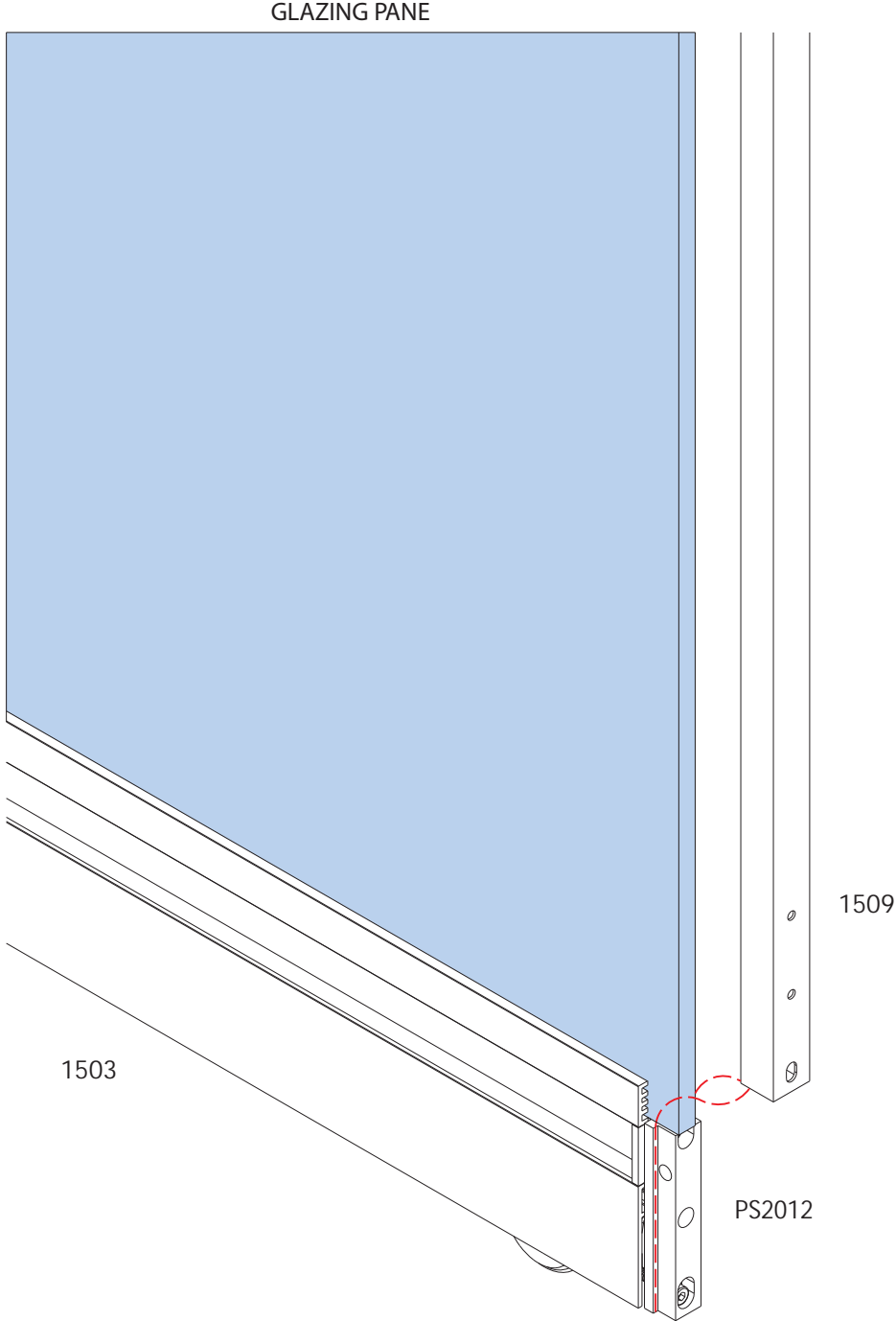
CONNECTION DETAILS

DOOR SASH



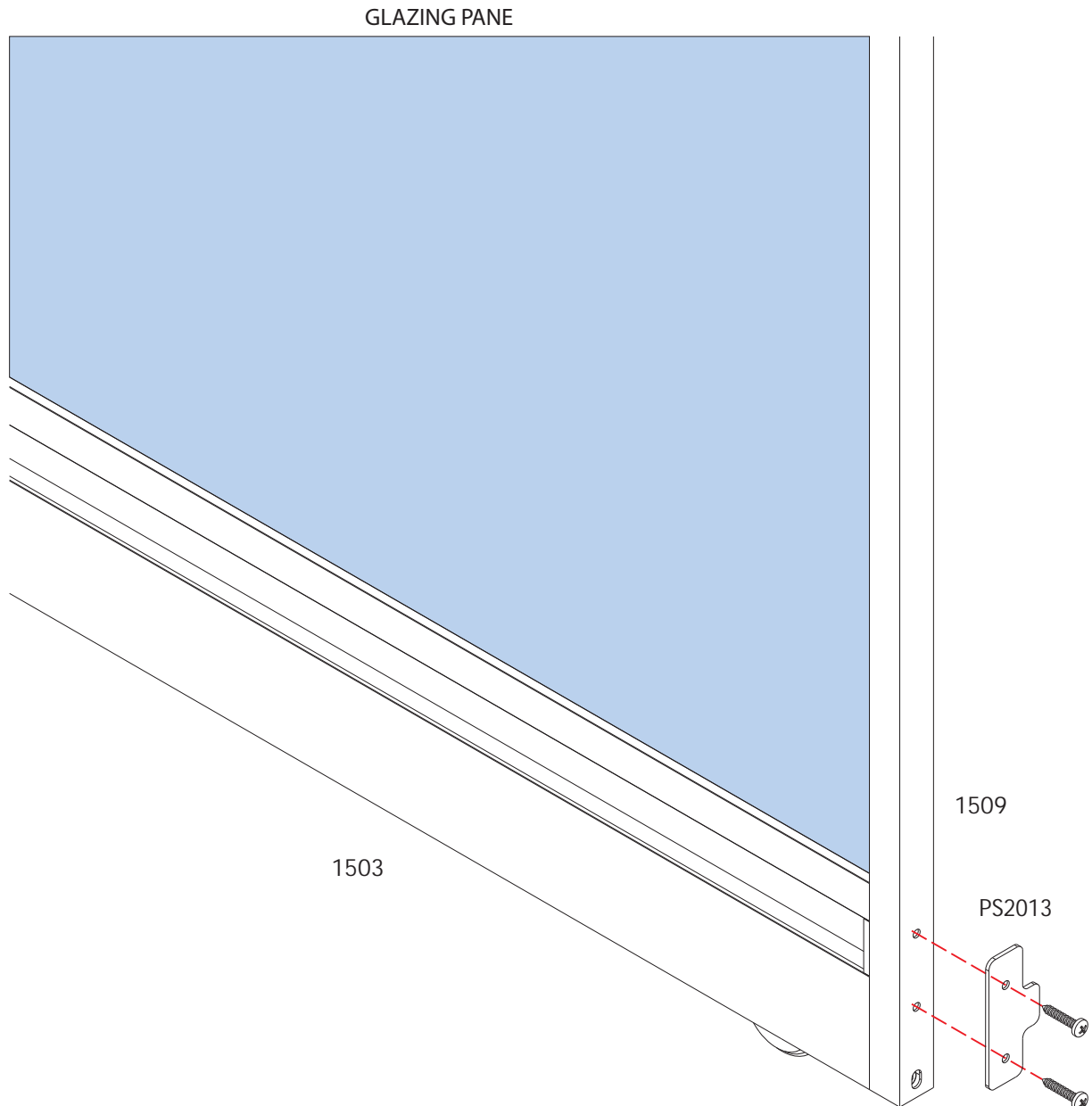
CONNECTION DETAILS

DOOR SASH



CONNECTION DETAILS

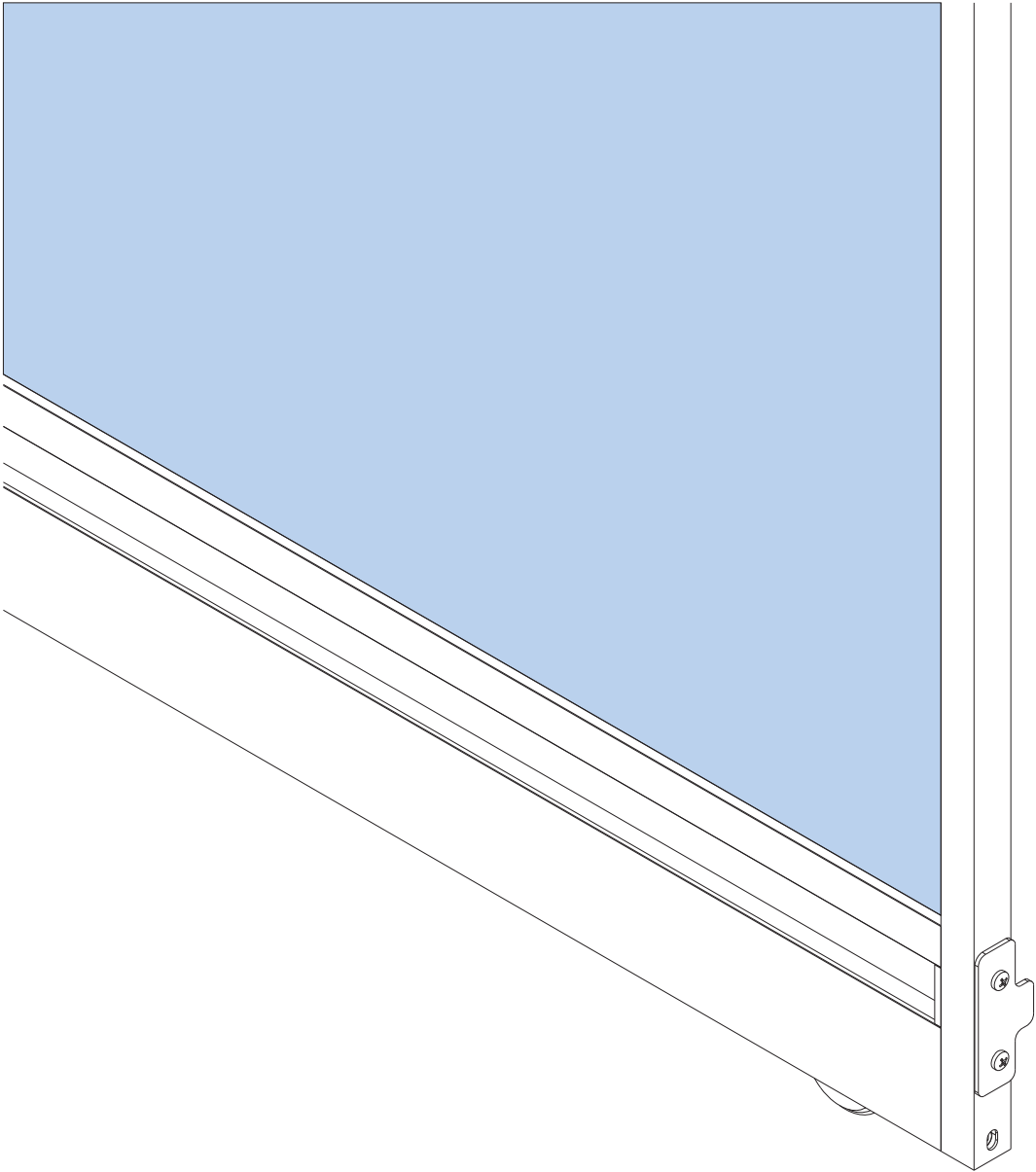
DOOR SASH



CONNECTION DETAILS

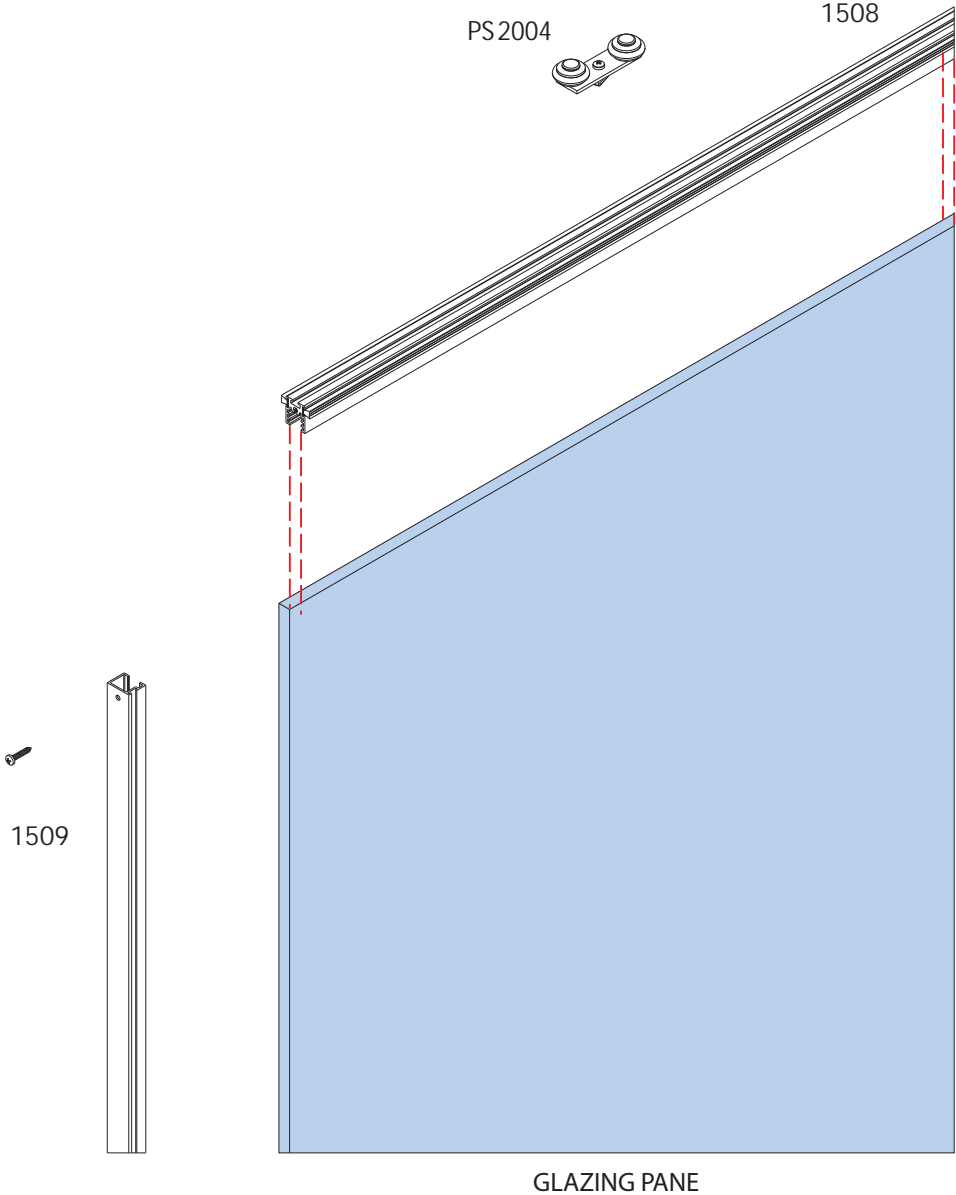
DOOR SASH

GLAZING PANE



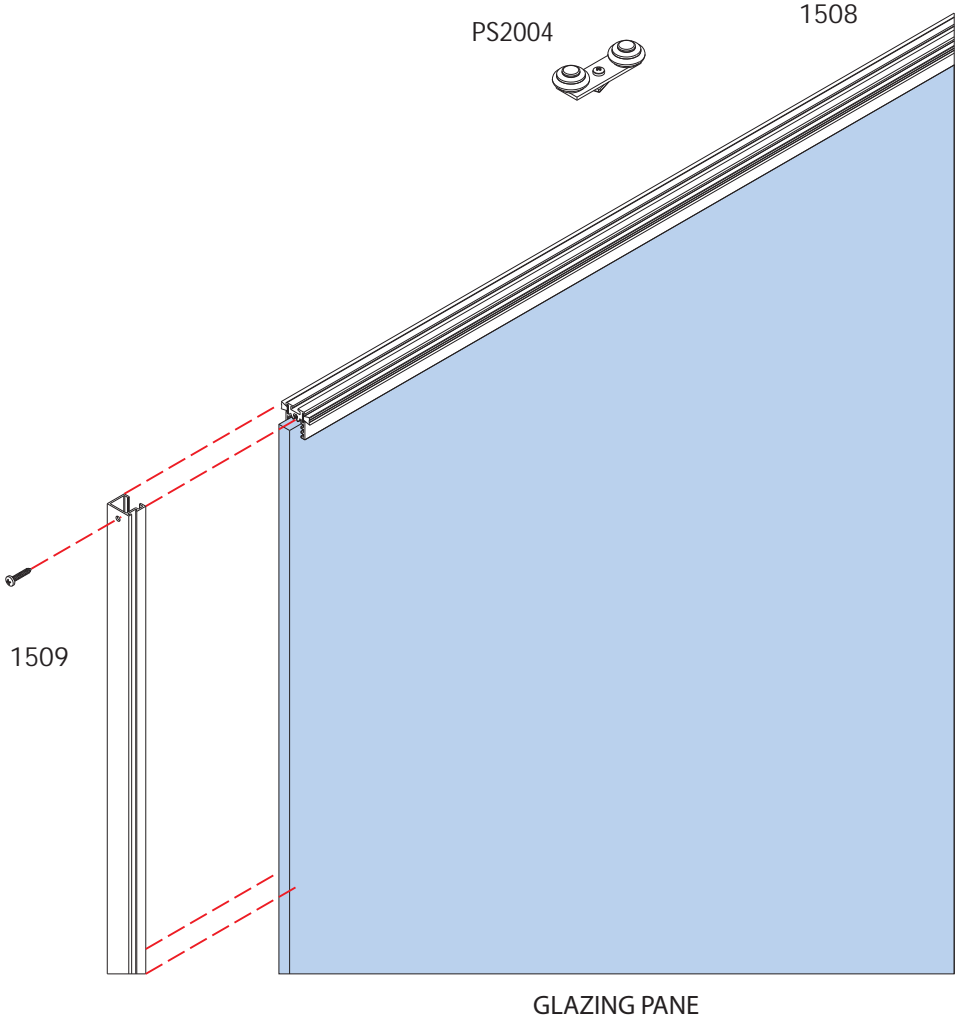
CONNECTION DETAILS

DOOR SASH



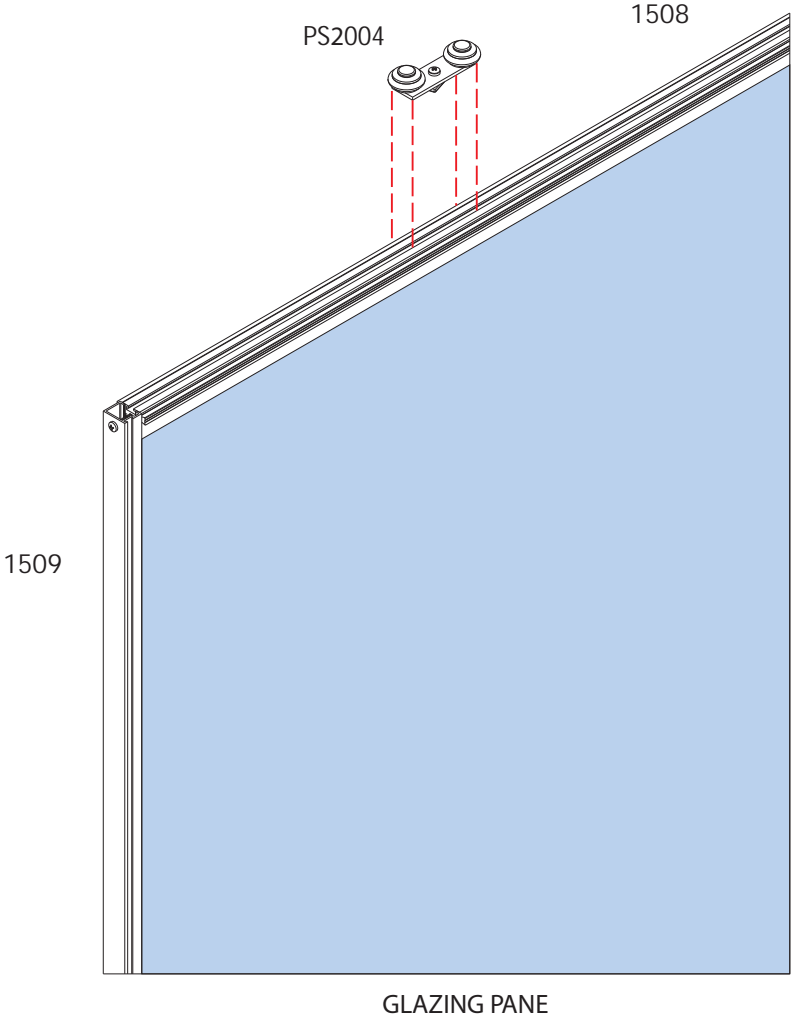
CONNECTION DETAILS

DOOR SASH



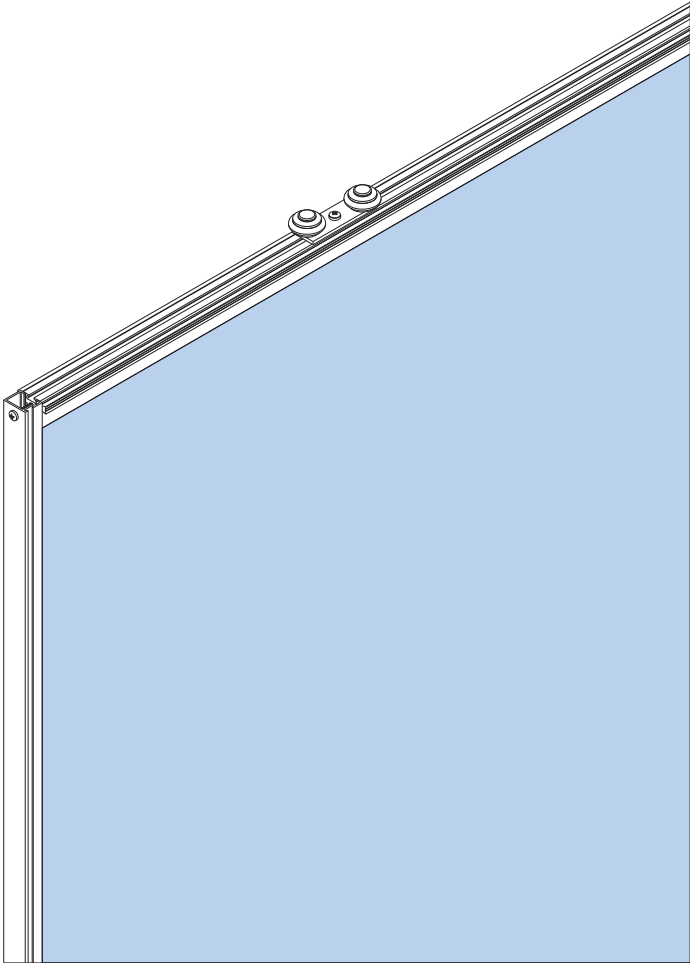
CONNECTION DETAILS

DOOR SASH



CONNECTION DETAILS

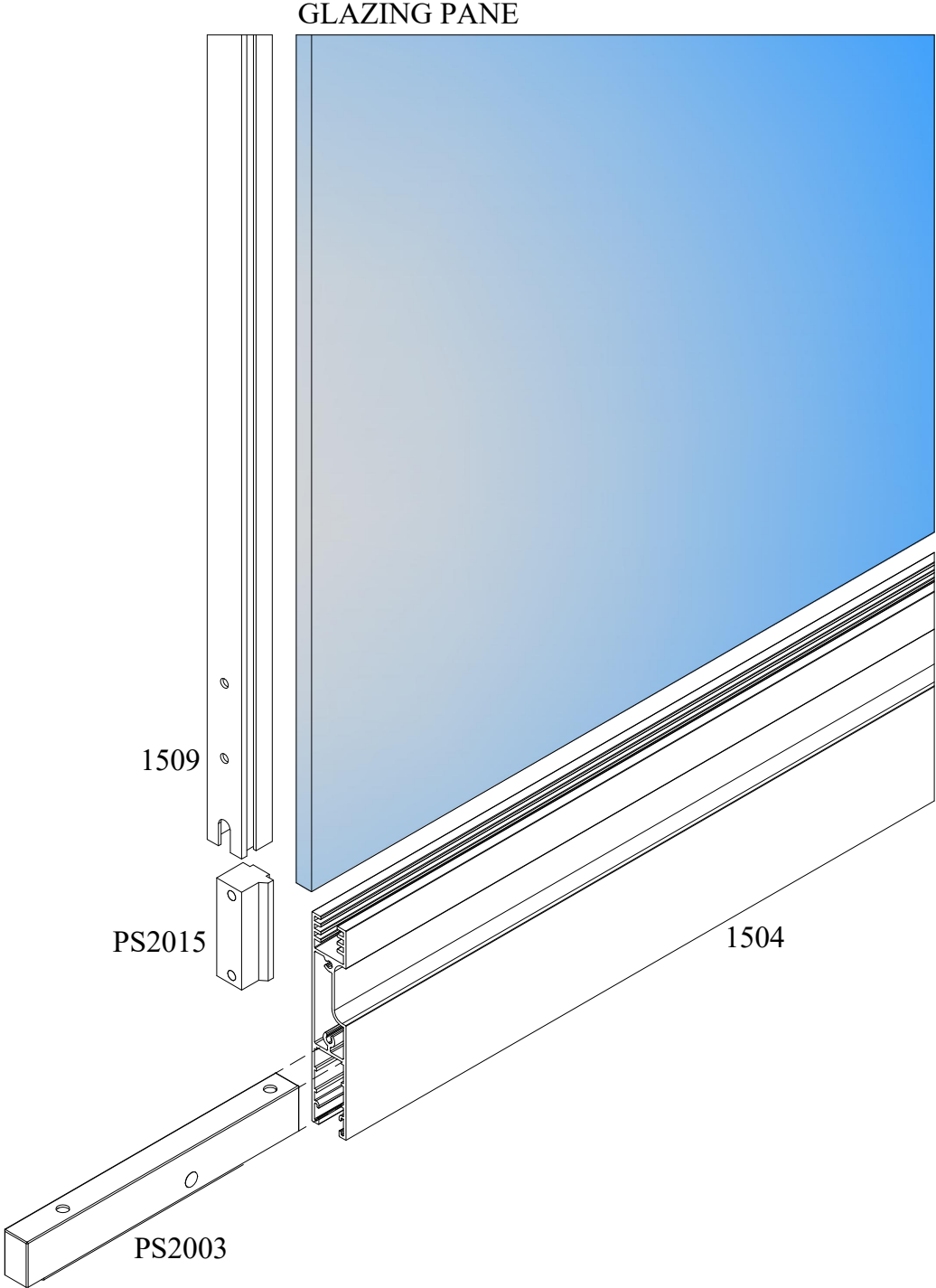
DOOR SASH



GLAZING PANE

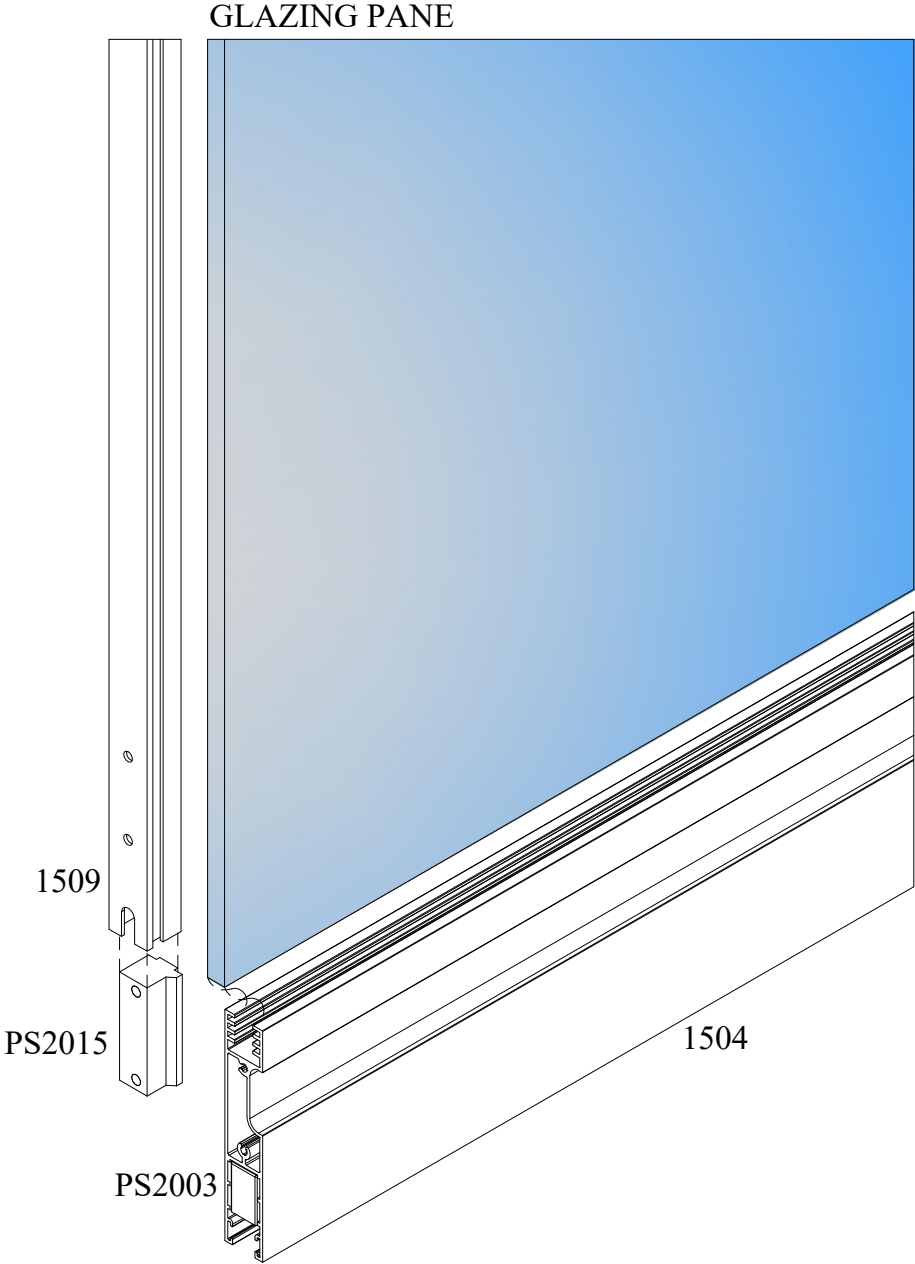
CONNECTION DETAILS

WINDOW SASH



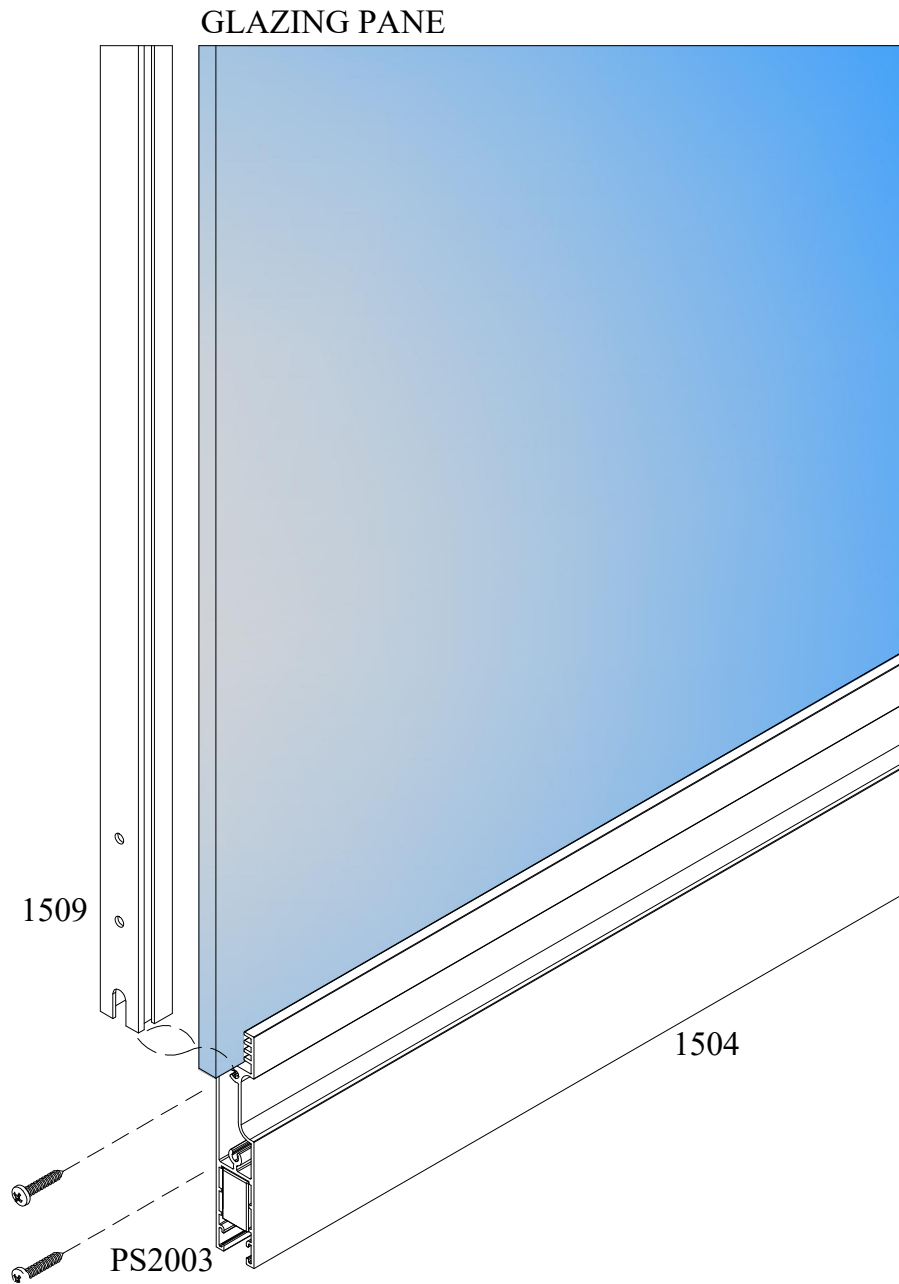
CONNECTION DETAILS

WINDOW SASH



CONNECTION DETAILS

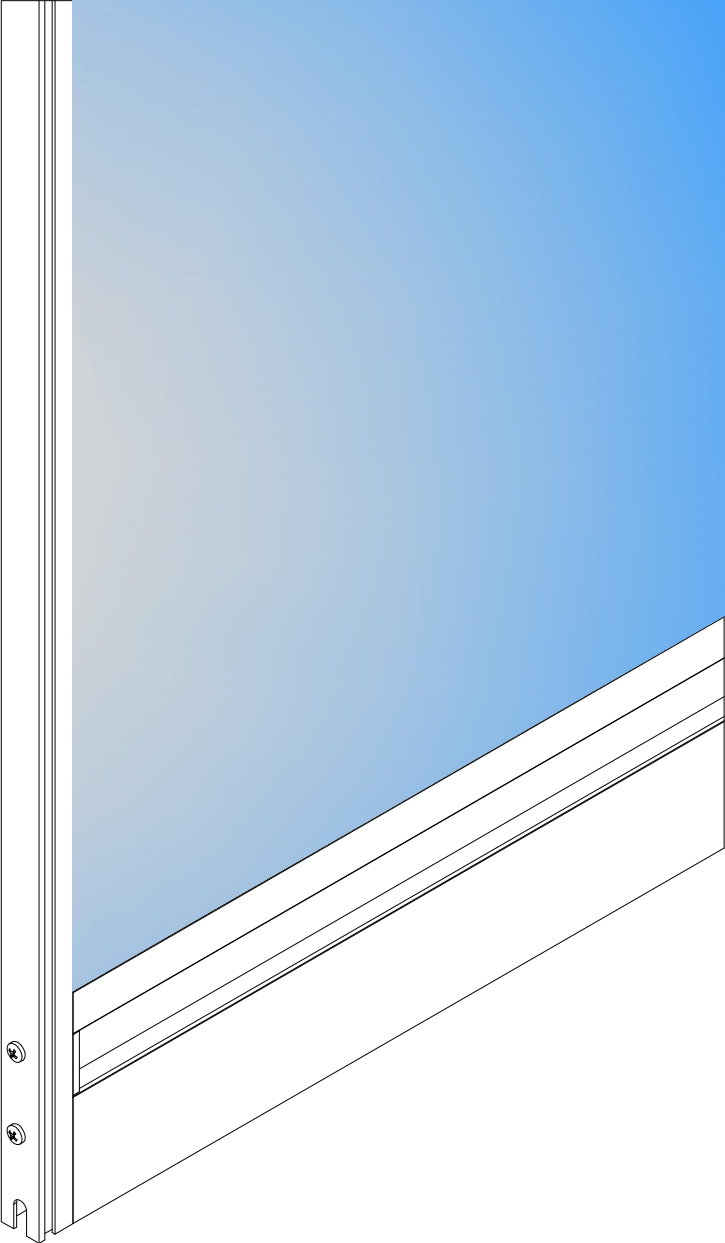
WINDOW SASH



CONNECTION DETAILS

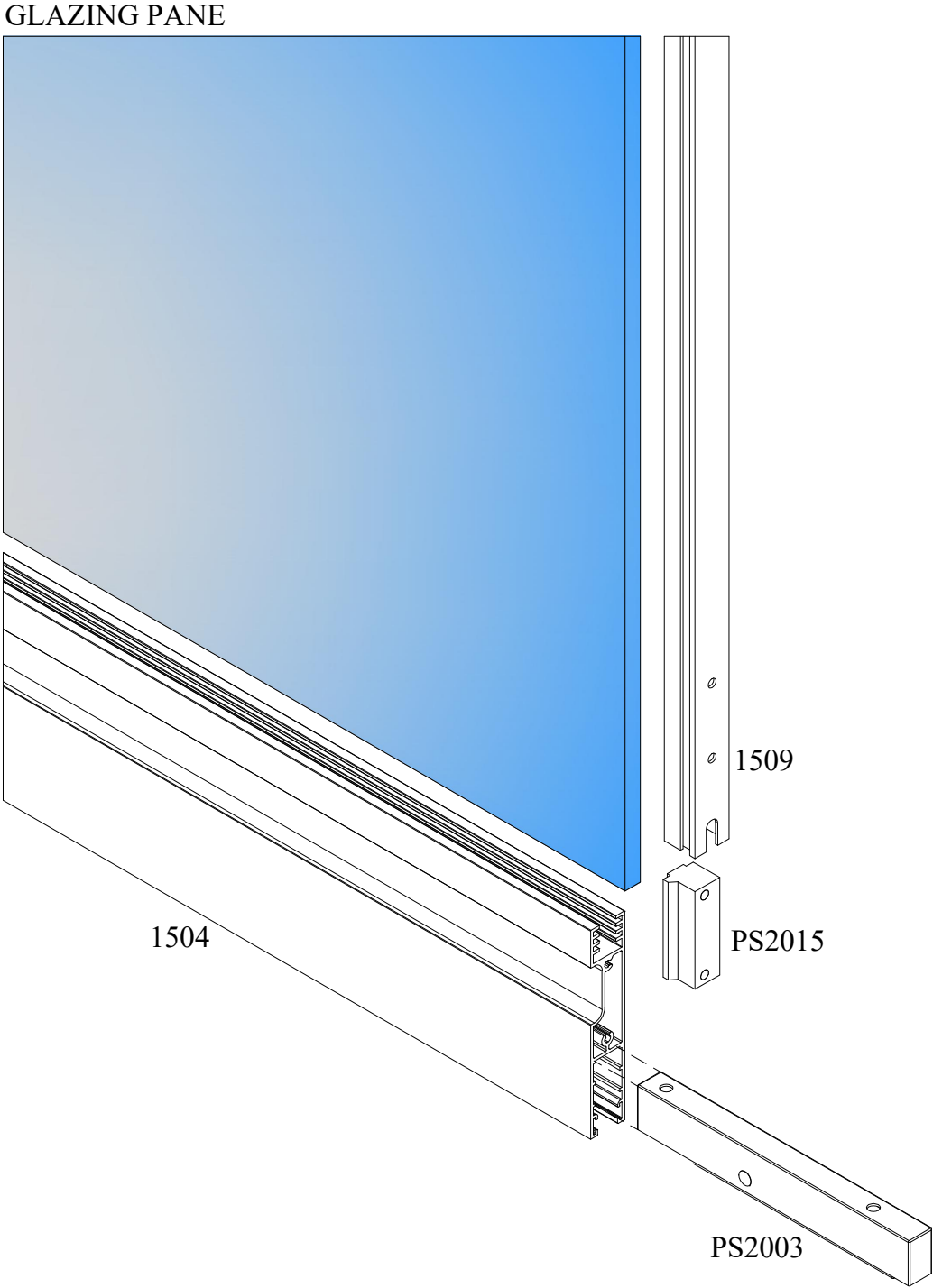
WINDOW SASH

GLAZING PANE



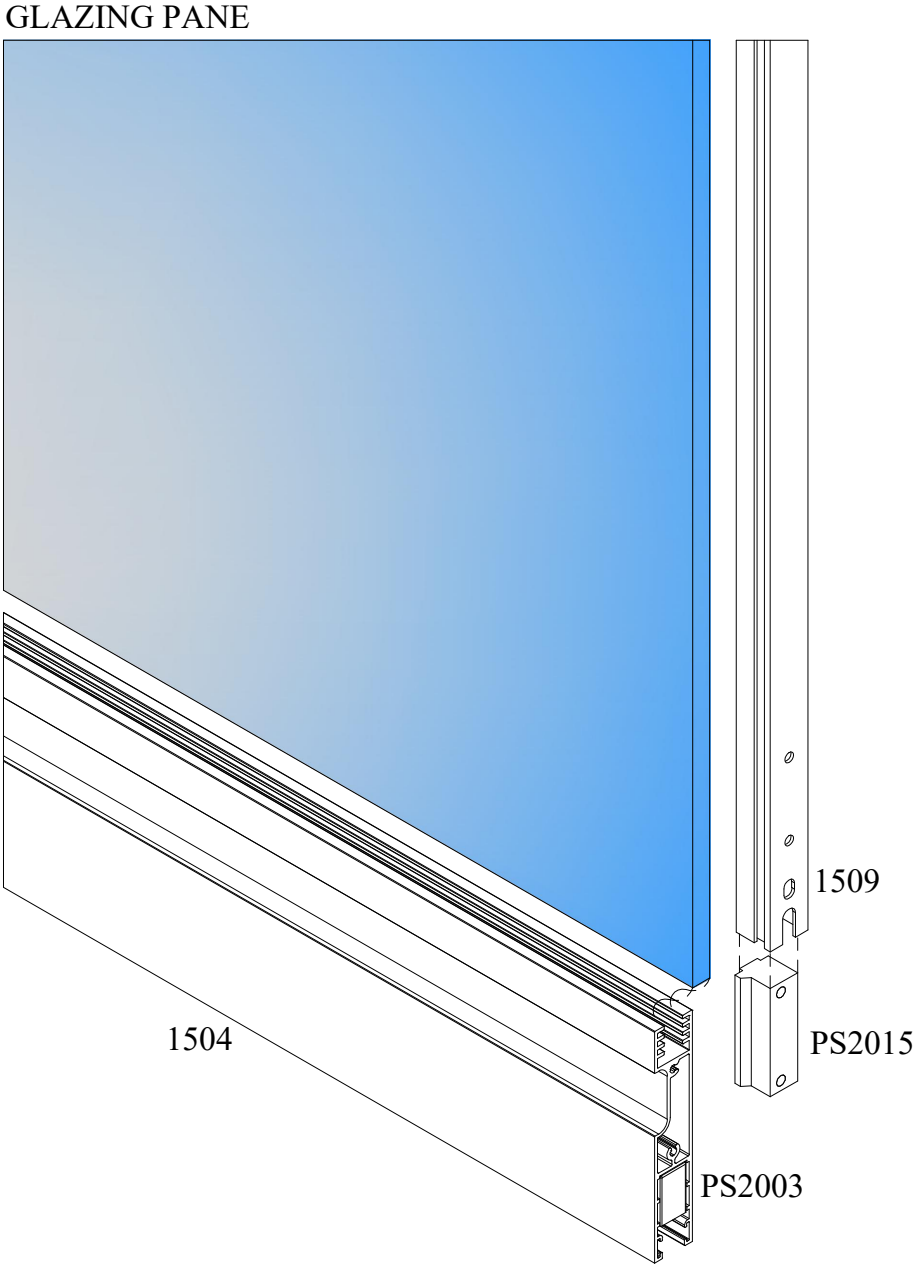
CONNECTION DETAILS

WINDOW SASH



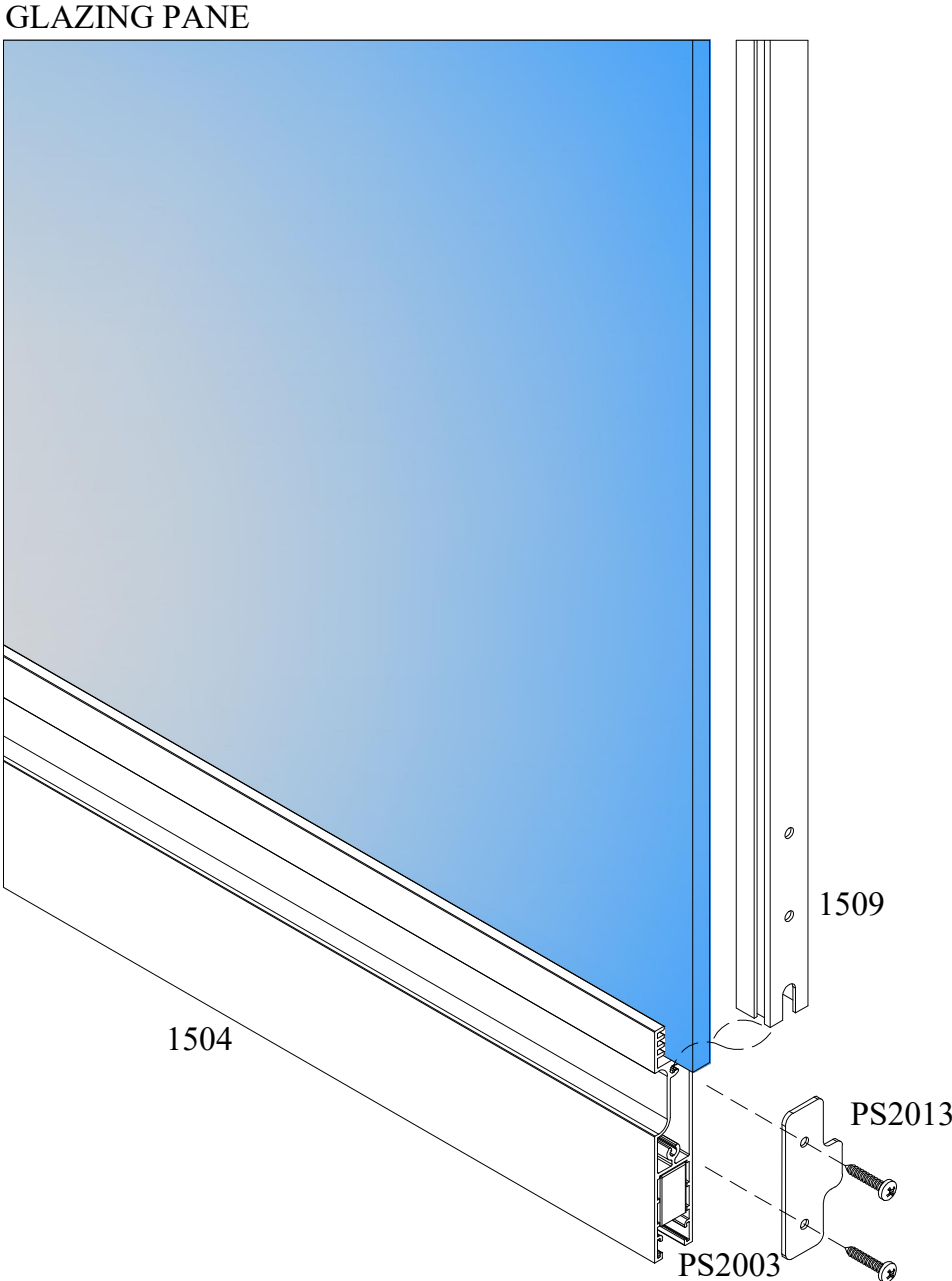
CONNECTION DETAILS

WINDOW SASH



CONNECTION DETAILS

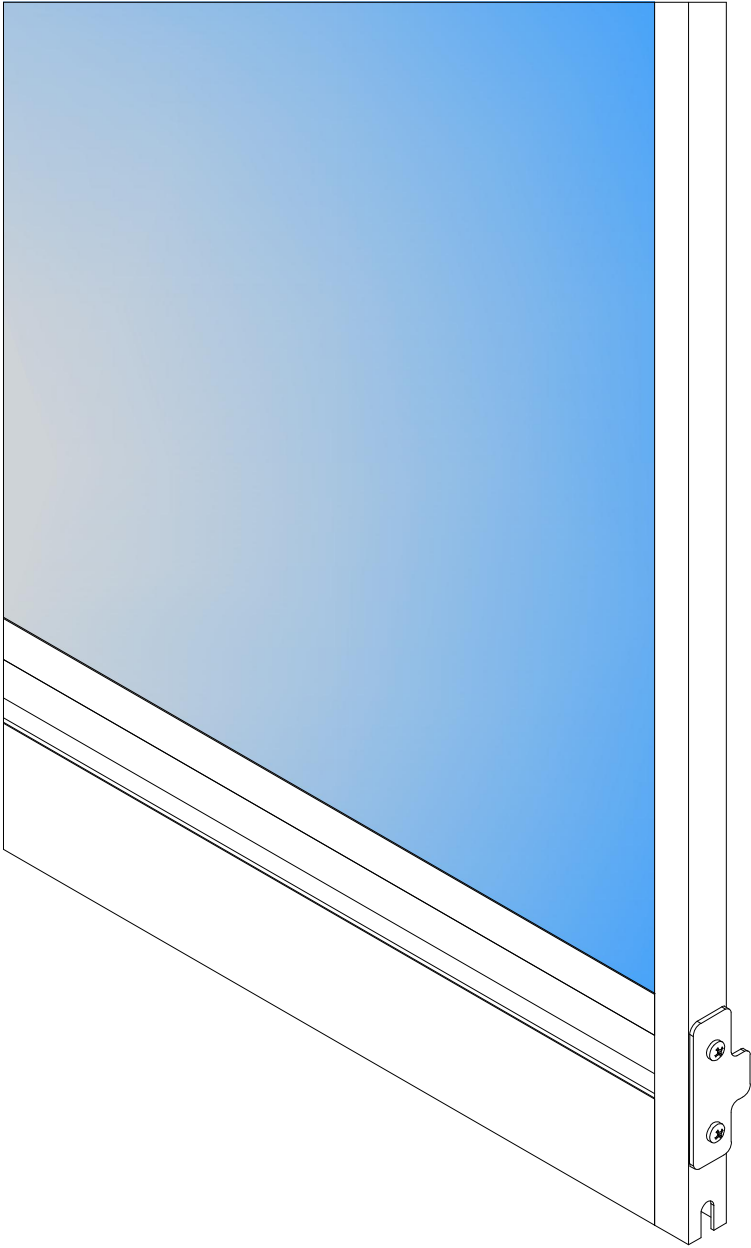
WINDOW SASH



CONNECTION DETAILS

WINDOW SASH

GLAZING PANE



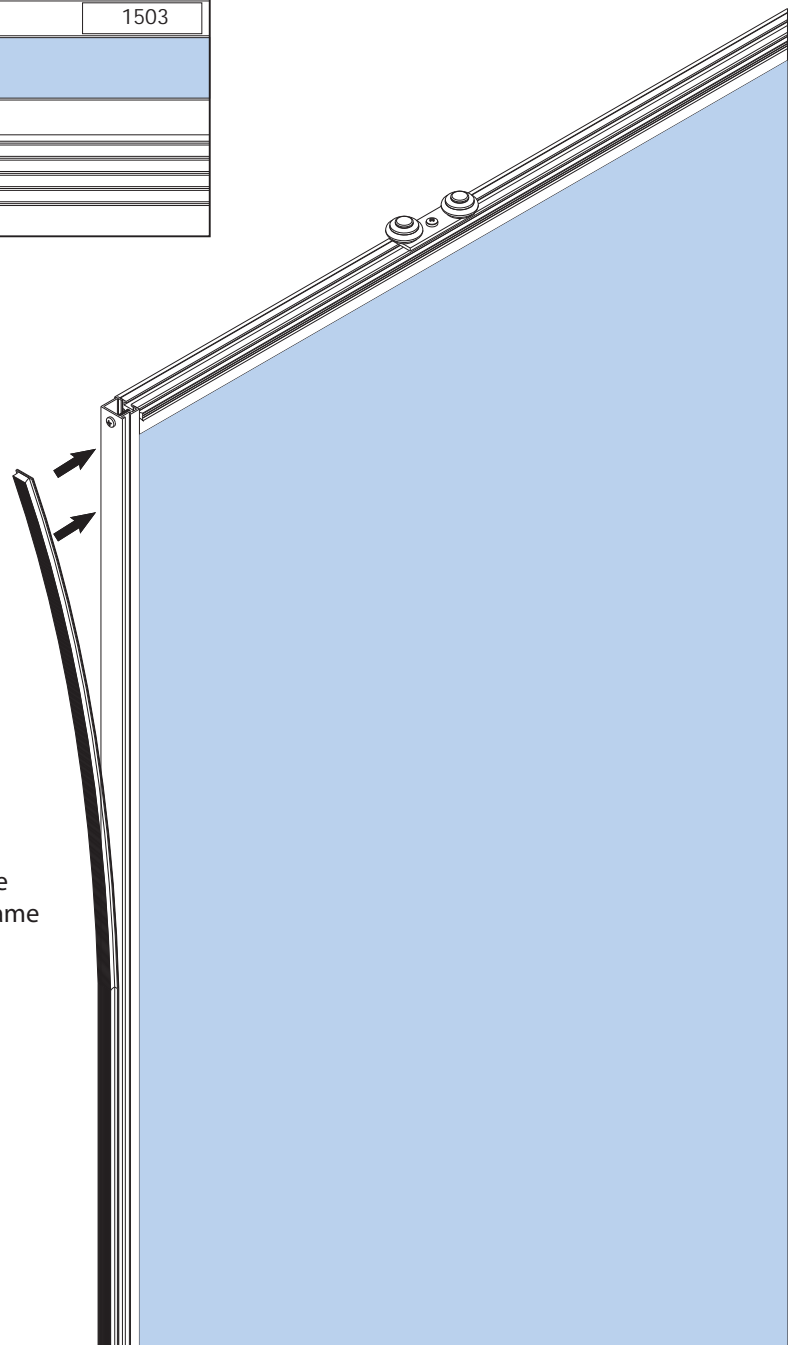
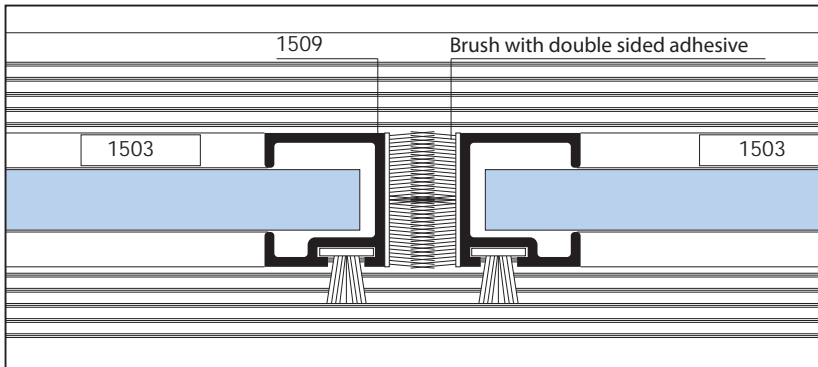
NOTES

A series of horizontal dotted lines for taking notes.

THREE DIMENSIONS DETAILS

THREE DIMENSIONS DETAILS

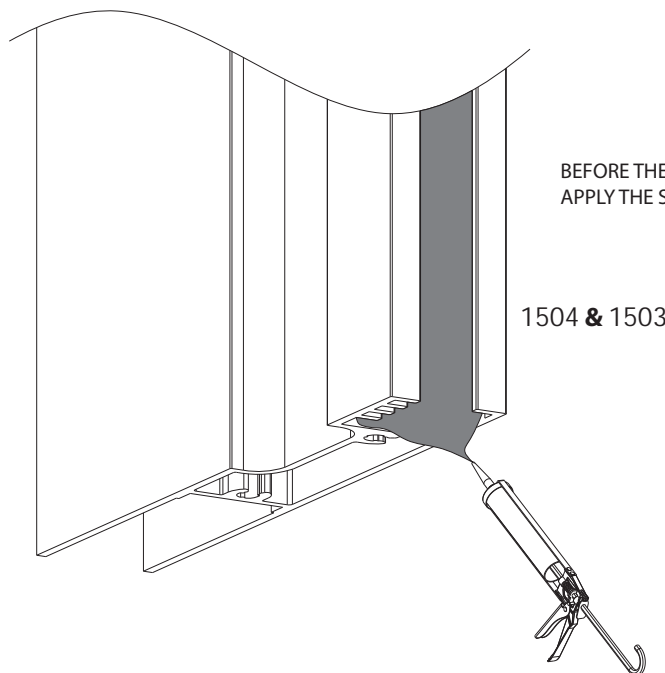
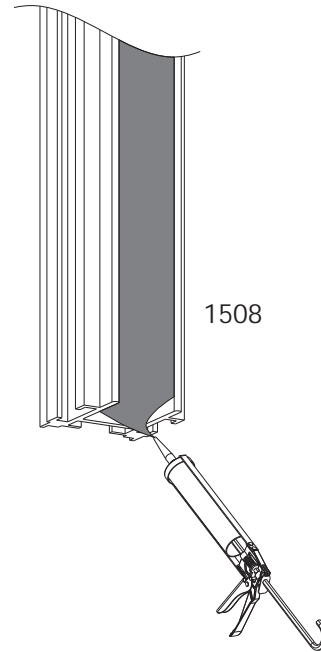
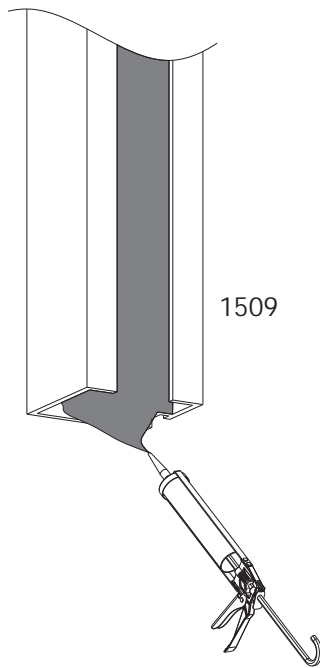
MEETING STILE DETAIL



For the reasons we have a meeting stile sash, we place the brush before load the sash into the frame

THREE DIMENSIONS DETAILS

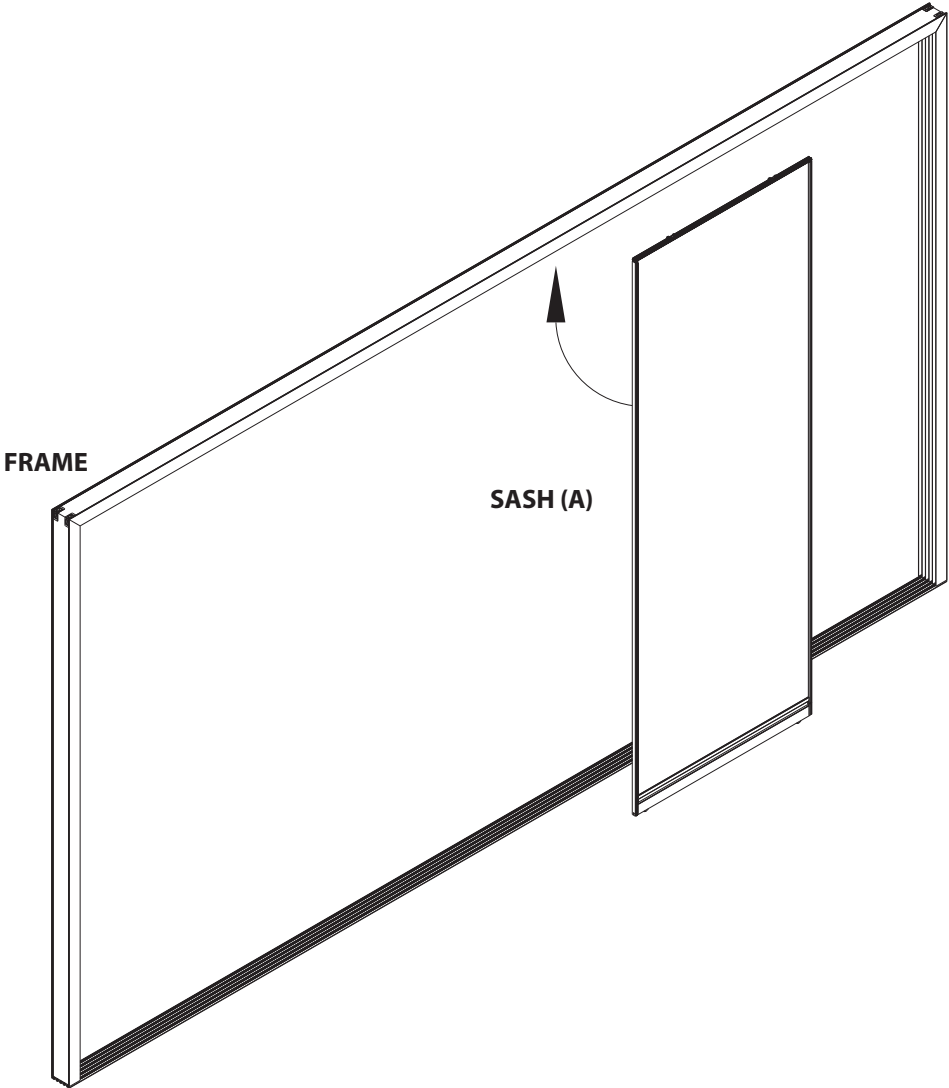
SILICONE INSTALLATION



BEFORE THE INSTALLATION GLAZING PLANE
APPLY THE SILICONE TO PROFILES

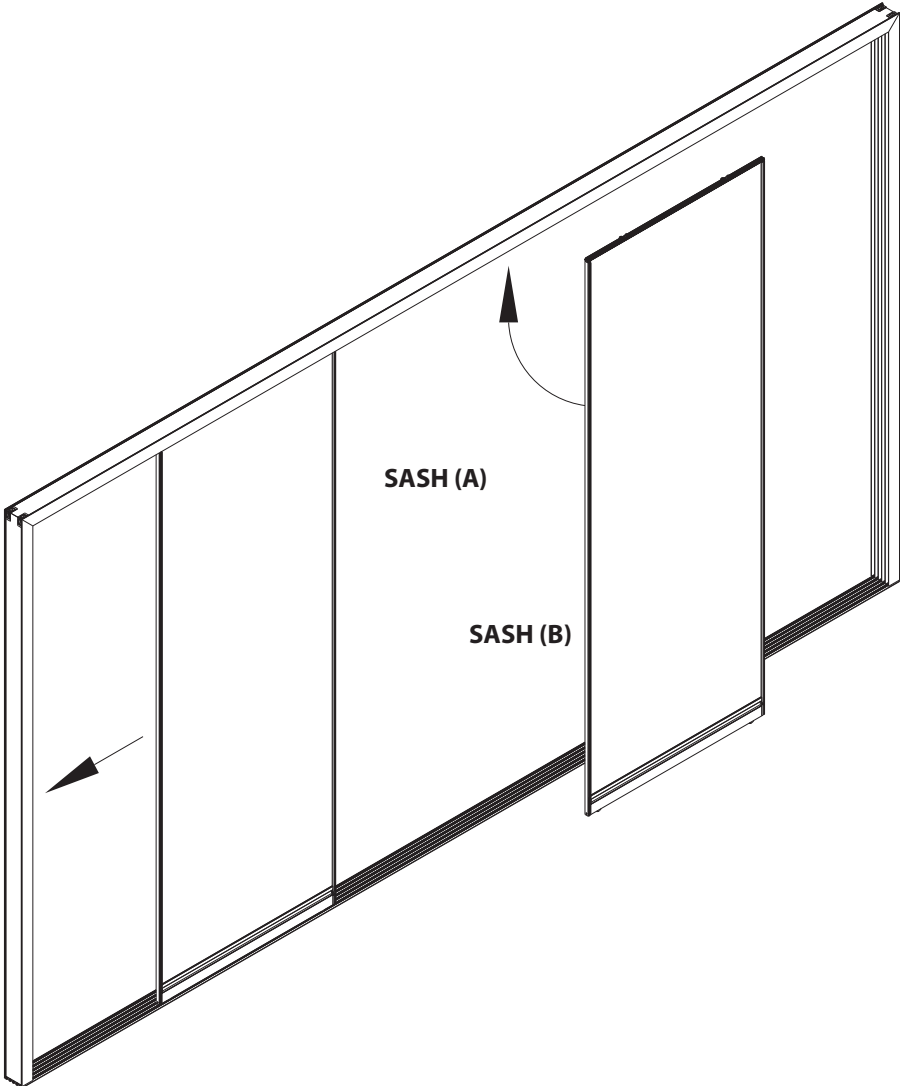
THREE DIMENSIONS DETAILS

ASSEMBLY DETAILS



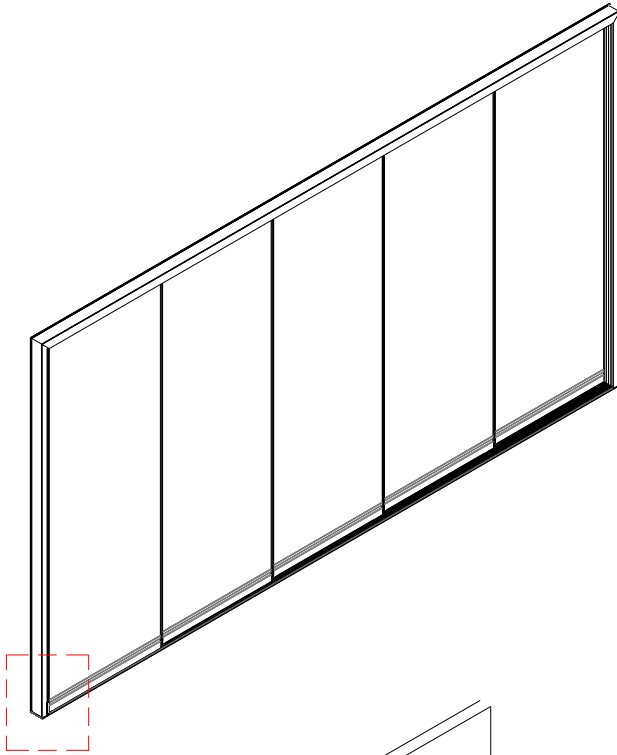
THREE DIMENSIONS DETAILS

ASSEMBLY DETAILS

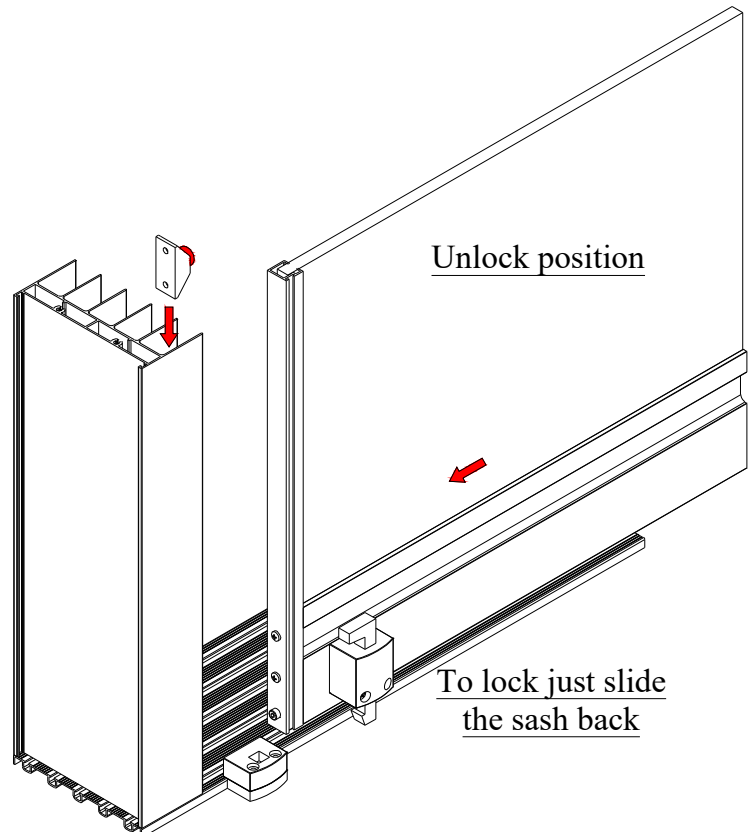
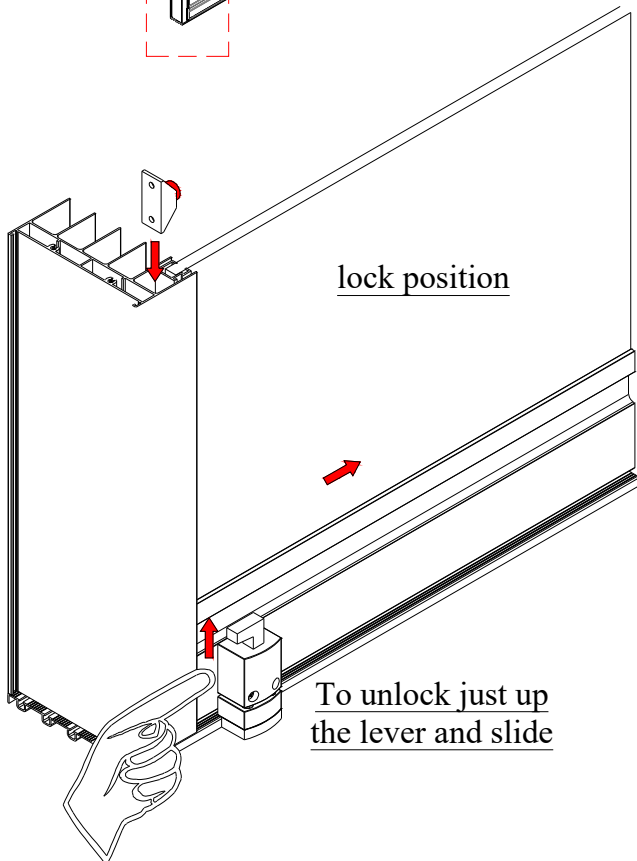


THREE DIMENSIONS DETAILS

ASSEMBLY DETAILS

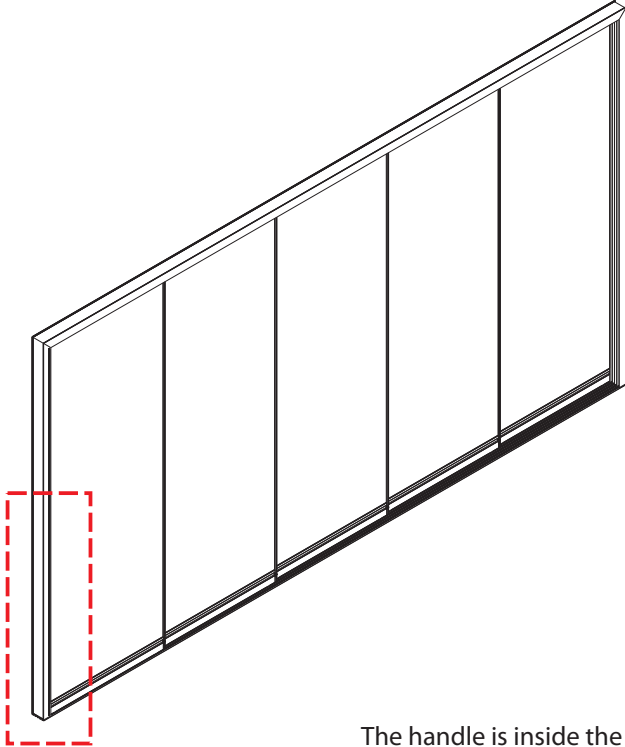


This is a example of door system.
With the same way do it in window system

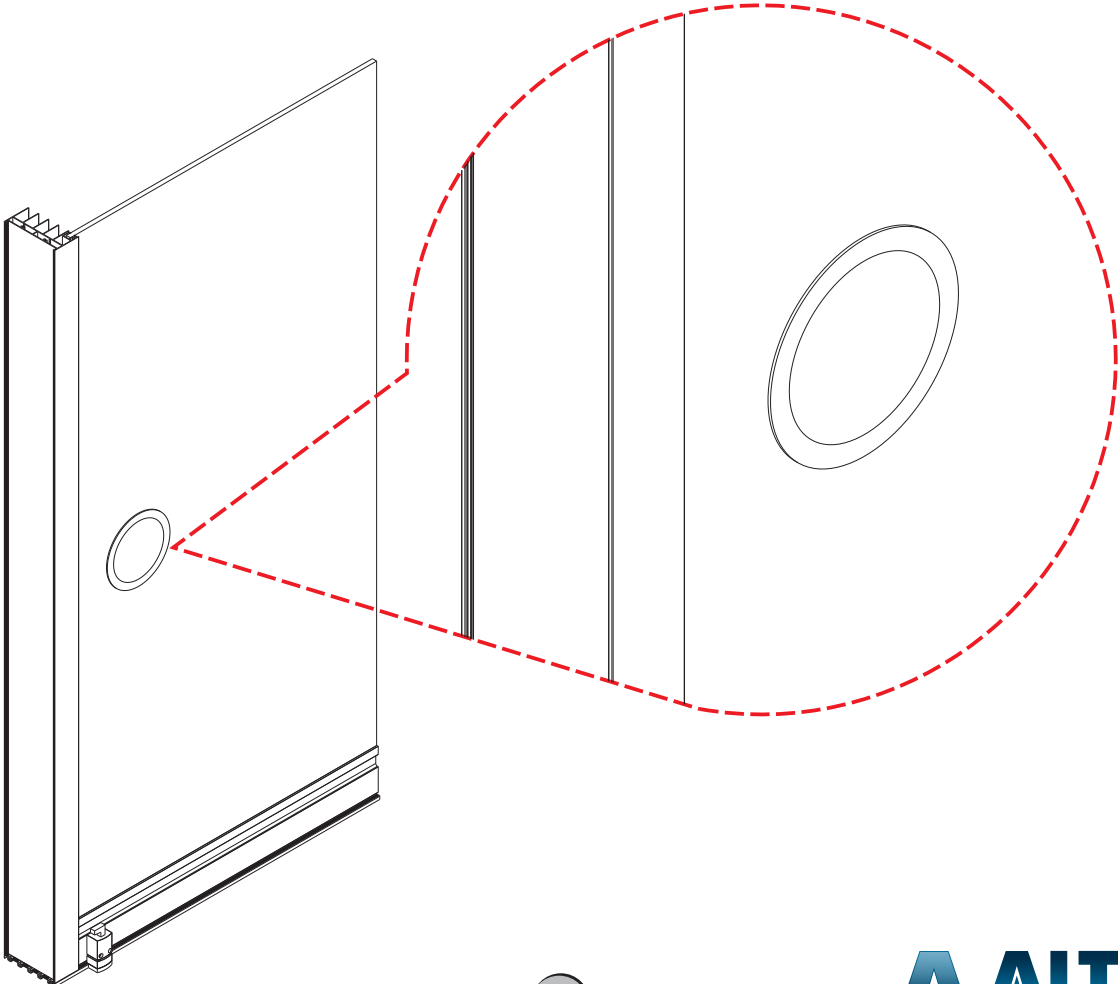


THREE DIMENSIONS DETAILS

ASSEMBLY DETAILS

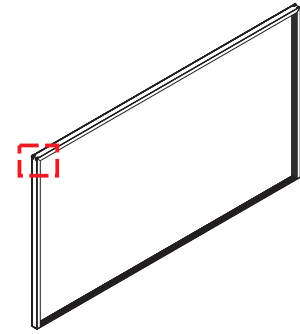


The handle is inside the glazing

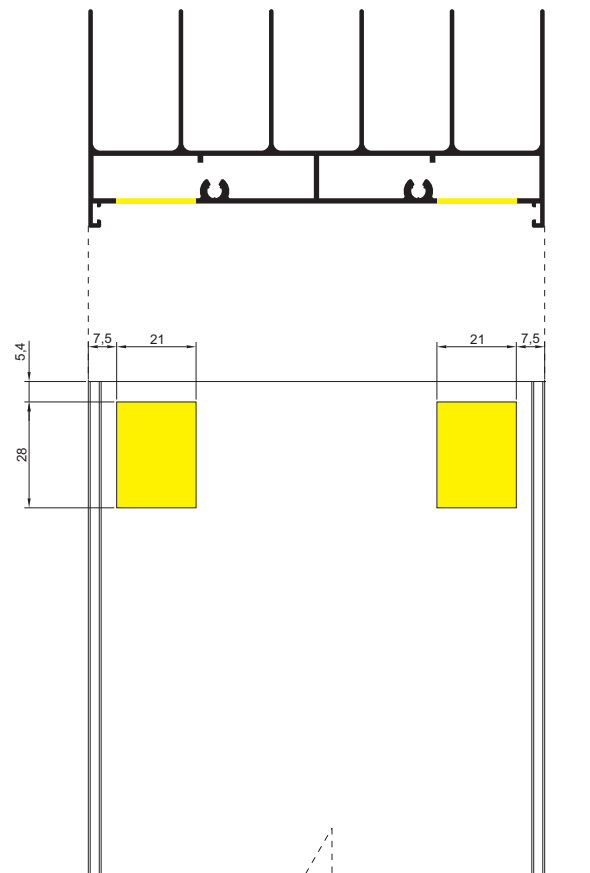
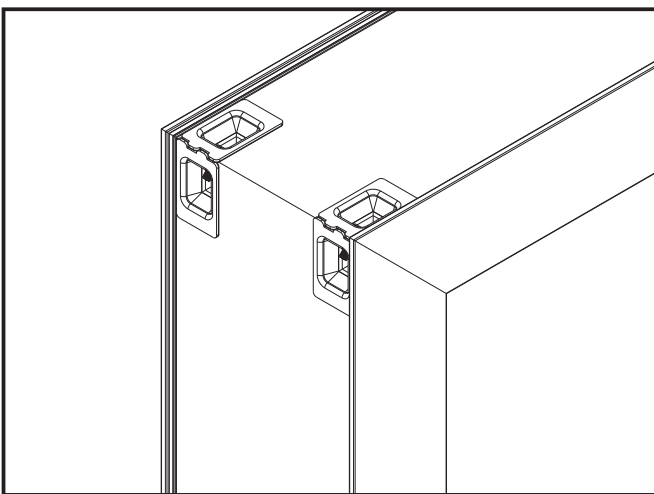
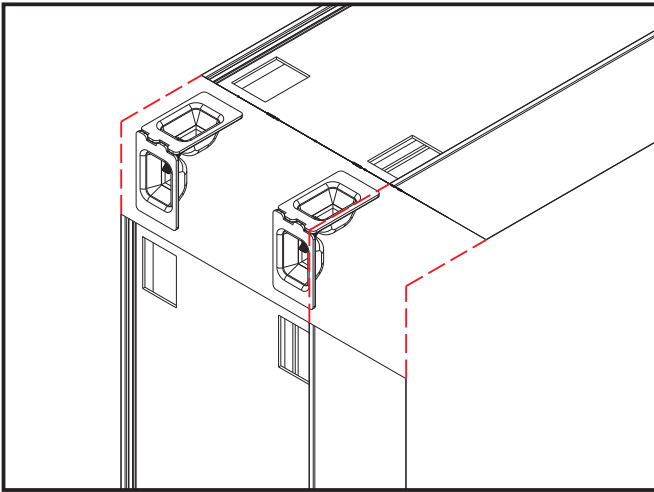


THREE DIMENSIONS DETAILS

ASSEMBLY DETAILS Door frame connection

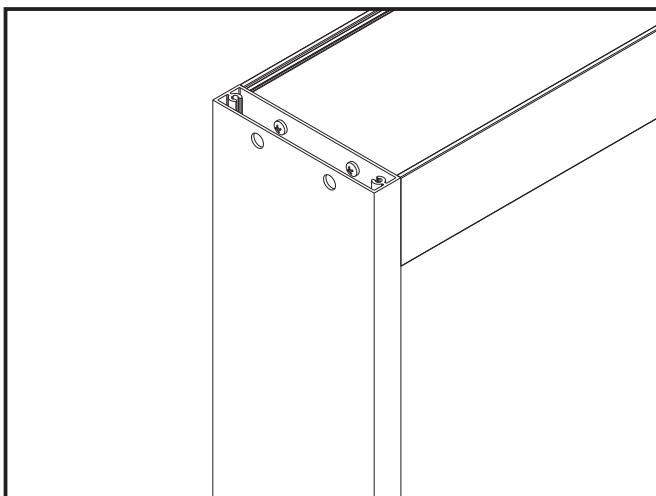
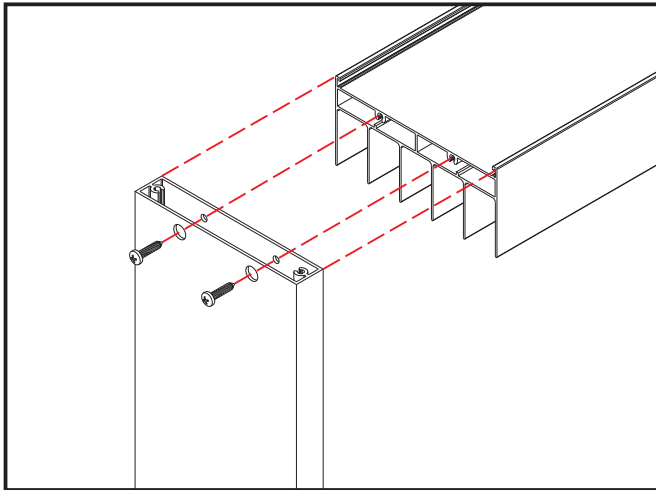
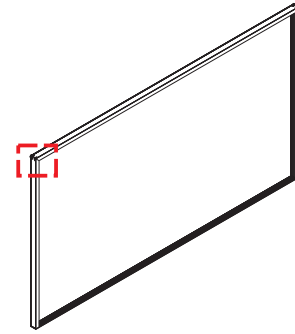


Cutting dimensions 1500
up with MGABI corner

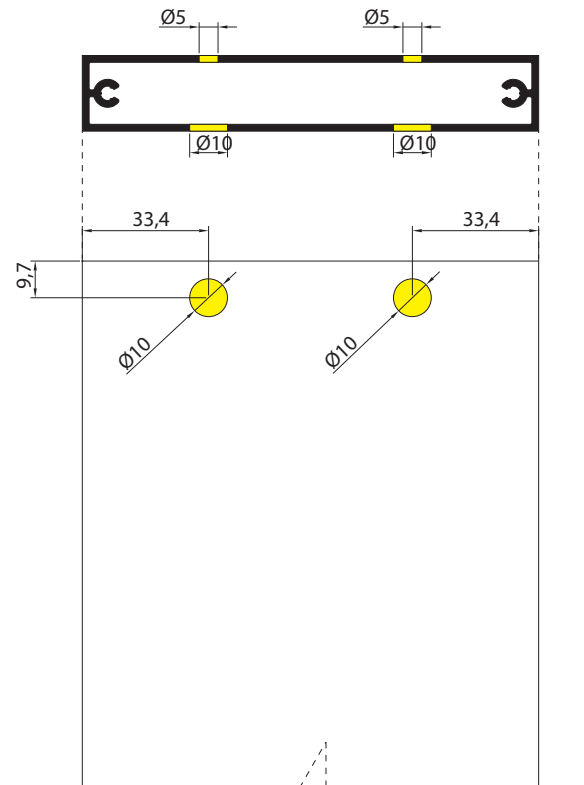


THREE DIMENSIONS DETAILS

ASSEMBLY DETAILS Window frame connection

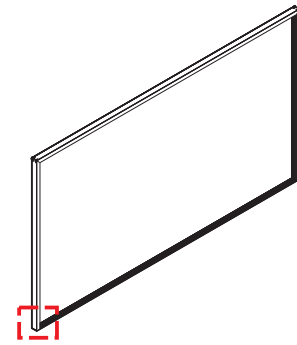
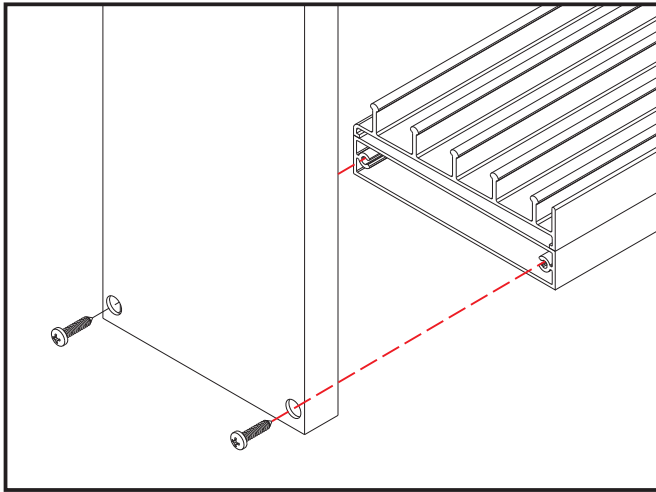


Cutting dimensions 1507
up

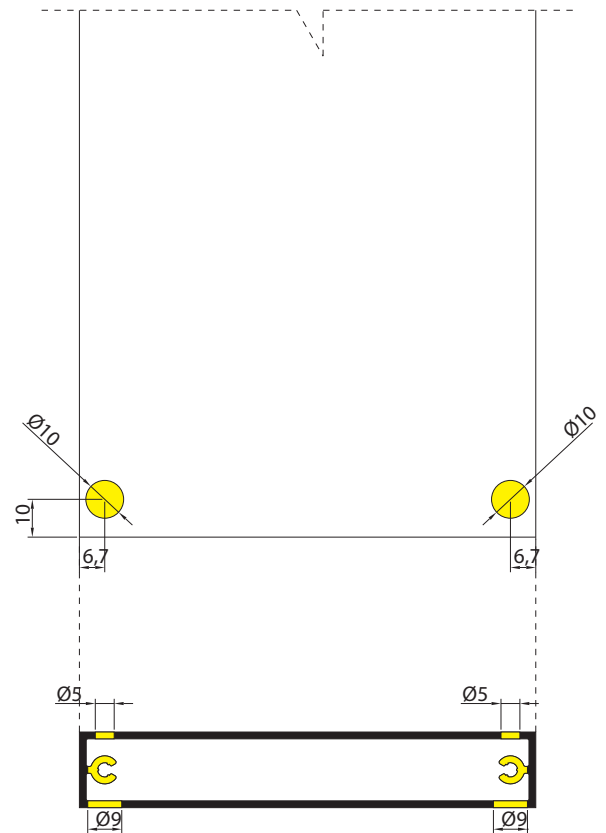
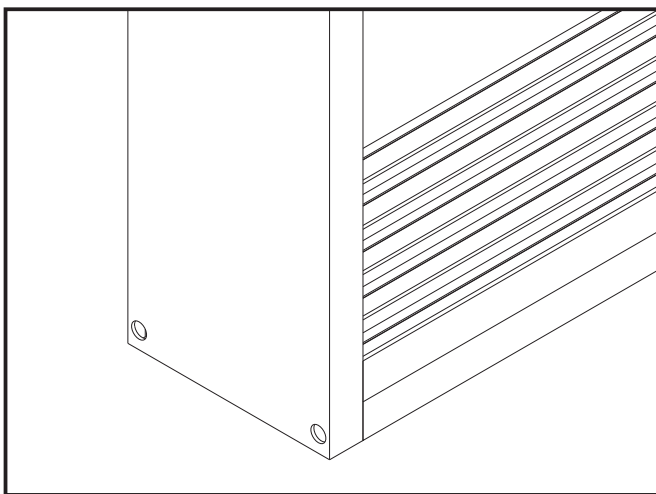


THREE DIMENSIONS DETAILS

ASSEMBLY DETAILS Window frame connection



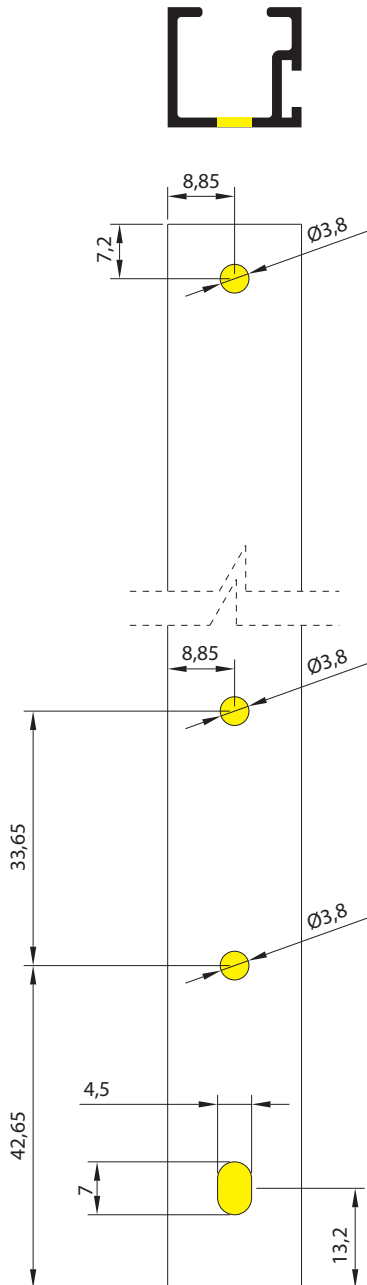
Cutting dimensions 1507
down



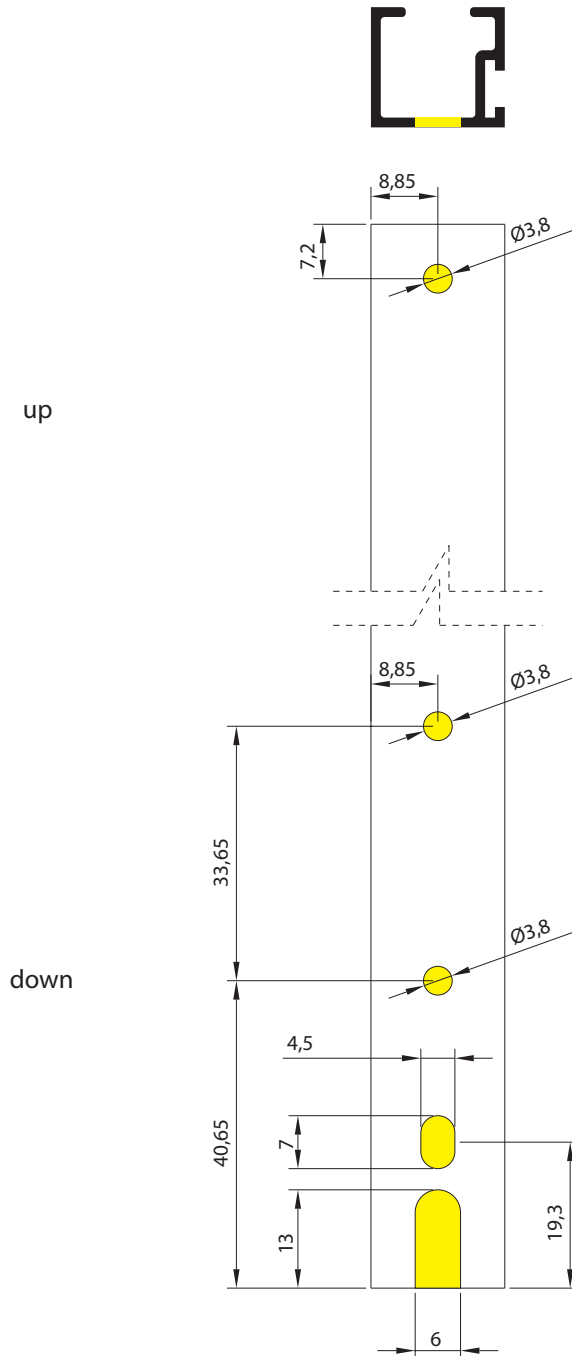
CUTTING DIMENSIONS

CUTTING DIMENSIONS

Cutting dimensions 1509
for door sash



Cutting dimensions 1509
for window sash

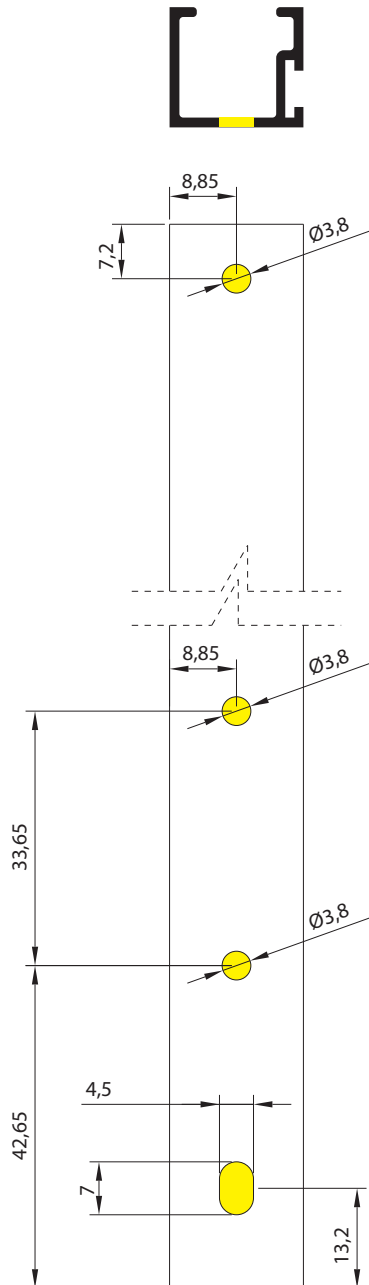


up

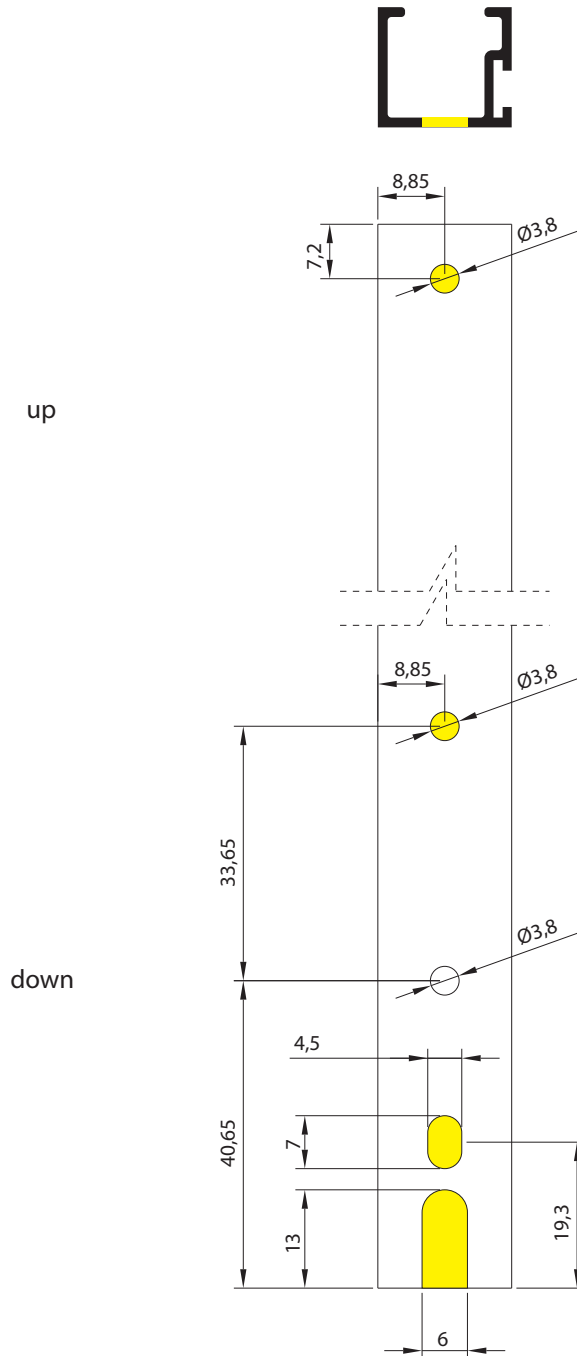
down

CUTTING DIMENSIONS

Cutting dimensions 1505
for door sash

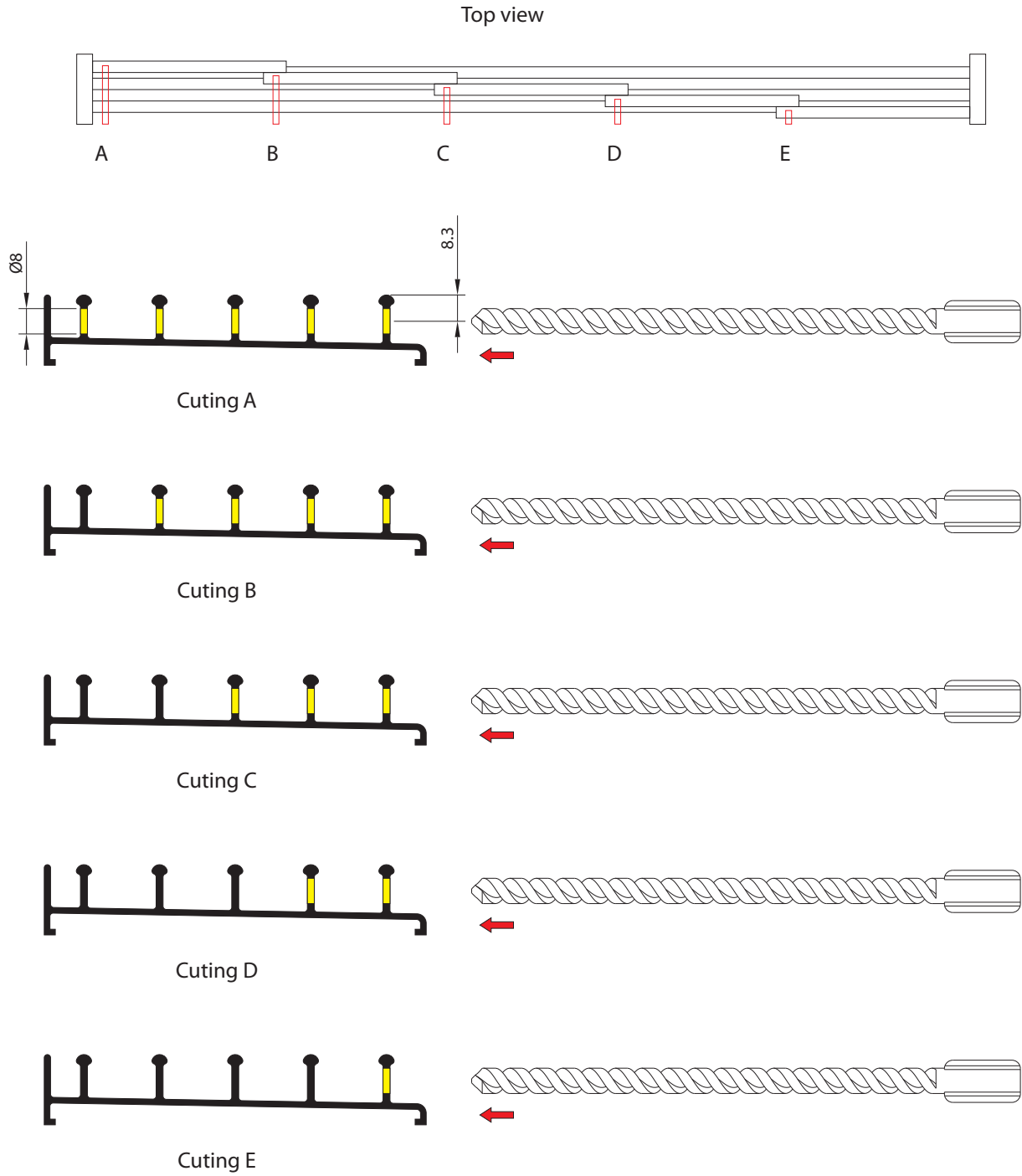


Cutting dimensions 1505
for window sash



CUTTING DIMENSIONS

CUTTING DIMENSIONS OF DRAINAGE SOLUTION

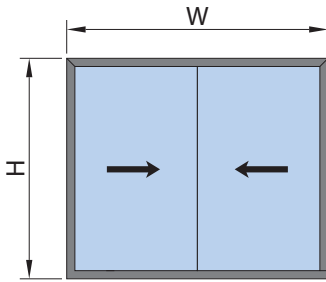


CUTTING LIST

DOOR CUTTING LIST

WINDOW CUTTING LIST

DOOR CUTTING LIST

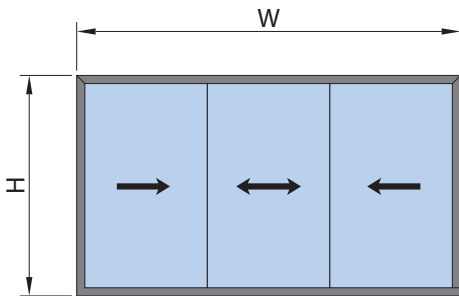


GLASS WIDTH (GH)	GLASS HEIGHT (GH)	PIECES
$GW = T + 24\text{mm}$	$GH = SS - 93.5\text{mm}$	2

DESCRIPTION	CODE	CUTTING DIMENSION	CUTTING ANGLE	PIECES
DOWN FRAME (DF)	1501	$DF = W$	90°-90°	1
UP FRAME (UF)	1500	$UF = W$	45°-45°	1
SIDE FRAME (SF)	1500	$SF = H - 7,6\text{mm}$	45°-90°	2
SIDE SASH (SS)	1509	$SS = H - 48\text{mm}$	90°-90°	4
UP SASH (US)	1508	$US = W - 131,5\text{mm} / 2$	90°-90°	2
THRESHOLD (T)	1503	$T = US$	90°-90°	2

When using glass panes of 10mm thickness, replace profile 1503 with profile 1510, profile 1509 with profile 1505 and profile 1508 with profile 1512. The cutting dimension remains the same.

DOOR CUTTING LIST

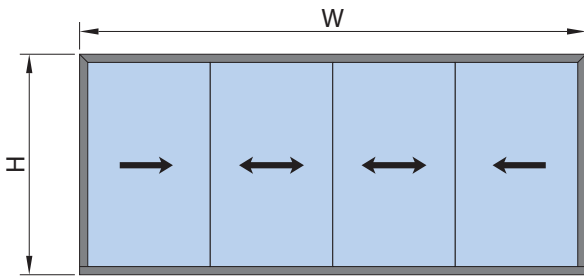


GLASS WIDTH (GH)	GLASS HEIGHT (GH)	PIECES
$GW = T + 24\text{mm}$	$GH = SS - 93.5\text{mm}$	3

DESCRIPTION	CODE	CUTTING DIMENSION	CUTTING ANGLE	PIECES
DOWN FRAME (DF)	1501	$DF = W$	90°-90°	1
UP FRAME (UF)	1500	$UF = W$	45°-45°	1
SIDE FRAME (SF)	1500	$SF = H - 7,6\text{mm}$	45°-90°	2
SIDE SASH (SS)	1509	$SS = H - 48\text{mm}$	90°-90°	6
UP SASH (US)	1508	$US = W - 147,4\text{mm} / 3$	90°-90°	3
THRESHOLD (T)	1503	$T = US$	90°-90°	3

When using glass panes of 10mm thickness, replace profile 1503 with profile 1510, profile 1509 with profile 1505 and profile 1508 with profile 1512. The cutting dimension remains the same.

DOOR CUTTING LIST

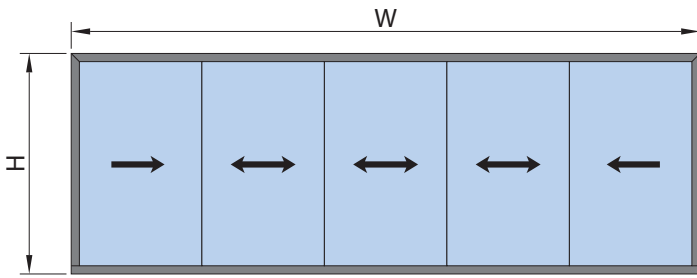


GLASS WIDTH (GH)	GLASS HEIGHT (GH)	PIECES
$GW = T + 24\text{mm}$	$GH = SS - 93.5\text{mm}$	4

DESCRIPTION	CODE	CUTTING DIMENSION	CUTTING ANGLE	PIECES
DOWN FRAME (DF)	1501	$DF = W$	90°-90°	1
UP FRAME (UF)	1500	$UF = W$	45°-45°	1
SIDE FRAME (SF)	1500	$SF = H - 7,6\text{mm}$	45°-90°	2
SIDE SASH (SS)	1509	$SS = H - 48\text{mm}$	90°-90°	8
UP SASH (US)	1508	$US = W - 163,6\text{mm} / 4$	90°-90°	4
THRESHOLD (T)	1503	$T = US$	90°-90°	4

When using glass panes of 10mm thickness, replace profile 1503 with profile 1510, profile 1509 with profile 1505 and profile 1508 with profile 1512. The cutting dimension remains the same.

DOOR CUTTING LIST

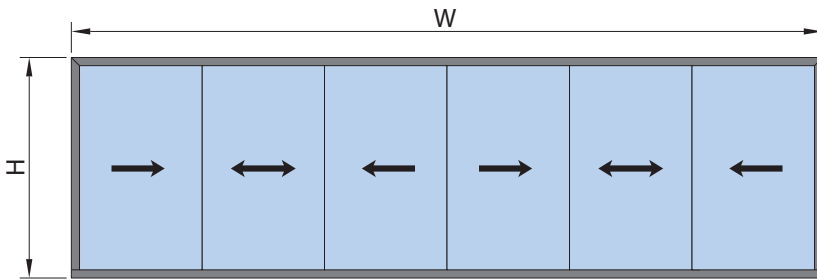


GLASS WIDTH (GH)	GLASS HEIGHT (GH)	PIECES
$GW = T + 24\text{mm}$	$GH = SS - 93.5\text{mm}$	5

DESCRIPTION	CODE	CUTTING DIMENSION	CUTTING ANGLE	PIECES
DOWN FRAME (DF)	1501	$DF = W$	90°-90°	1
UP FRAME (UF)	1500	$UF = W$	45°-45°	1
SIDE FRAME (SF)	1500	$SF = H - 7,6\text{mm}$	45°-90°	2
SIDE SASH (SS)	1509	$SS = H - 48\text{mm}$	90°-90°	10
UP SASH (US)	1508	$US = W - 179,2\text{mm} / 5$	90°-90°	5
THRESHOLD (T)	1503	$T = US$	90°-90°	5

When using glass panes of 10mm thickness, replace profile 1503 with profile 1510, profile 1509 with profile 1505 and profile 1508 with profile 1512. The cutting dimension remains the same.

DOOR CUTTING LIST

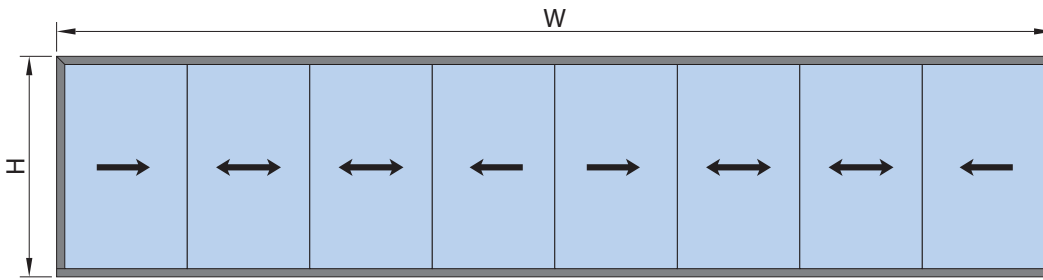


GLASS WIDTH (GH)	GLASS HEIGHT (GH)	PIECES
$GW = T + 24\text{mm}$	$GH = SS - 93.5\text{mm}$	6

DESCRIPTION	CODE	CUTTING DIMENSION	CUTTING ANGLE	PIECES
DOWN FRAME (DF)	1501	$DF = W$	90°-90°	1
UP FRAME (UF)	1500	$UF = W$	45°-45°	1
SIDE FRAME (SF)	1500	$SF = H - 7,6\text{mm}$	45°-90°	2
SIDE SASH (SS)	1509	$SS = H - 48\text{mm}$	90°-90°	12
UP SASH (US)	1508	$US = W - 221\text{mm} / 6$	90°-90°	6
THRESHOLD (T)	1503	$T = US$	90°-90°	6

When using glass panes of 10mm thickness, replace profile 1503 with profile 1510, profile 1509 with profile 1505 and profile 1508 with profile 1512. The cutting dimension remains the same.

DOOR CUTTING LIST

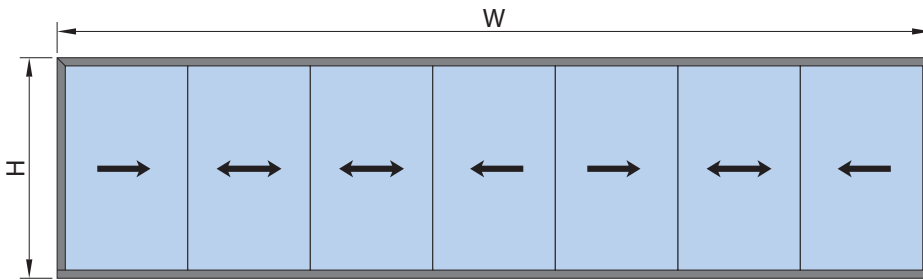


GLASS WIDTH (GH)	GLASS HEIGHT (GH)	PIECES
$GW = T + 24\text{mm}$	$GH = SS - 93.5\text{mm}$	8

DESCRIPTION	CODE	CUTTING DIMENSION	CUTTING ANGLE	PIECES
DOWN FRAME (DF)	1501	$DF = W$	90°-90°	1
UP FRAME (UF)	1500	$UF = W$	45°-45°	1
SIDE FRAME (SF)	1500	$SF = H - 7,6\text{mm}$	45°-90°	2
SIDE SASH (SS)	1509	$SS = H - 48\text{mm}$	90°-90°	16
UP SASH (US)	1508	$US = W - 252,8\text{mm} / 8$	90°-90°	8
THRESHOLD (T)	1503	$T = US$	90°-90°	8

When using glass panes of 10mm thickness, replace profile 1503 with profile 1510, profile 1509 with profile 1505 and profile 1508 with profile 1512. The cutting dimension remains the same.

DOOR CUTTING LIST

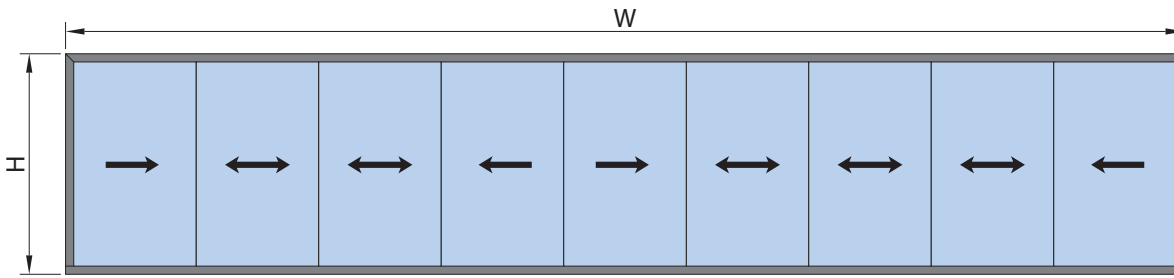


GLASS WIDTH (GH)	GLASS HEIGHT (GH)	PIECES
$GW = T + 24\text{mm}$	$GH = SS - 93.5\text{mm}$	7

DESCRIPTION	CODE	CUTTING DIMENSION	CUTTING ANGLE	PIECES
DOWN FRAME (DF)	1501	$DF = W$	90°-90°	1
UP FRAME (UF)	1500	$UF = W$	45°-45°	1
SIDE FRAME (SF)	1500	$SF = H - 7,6\text{mm}$	45°-90°	2
SIDE SASH (SS)	1509	$SS = H - 48\text{mm}$	90°-90°	14
UP SASH (US)	1508	$US = W - 263,9\text{mm} / 7$	90°-90°7	
THRESHOLD (T)	1503	$T = US$	90°-90°	7

When using glass panes of 10mm thickness, replace profile 1503 with profile 1510, profile 1509 with profile 1505 and profile 1508 with profile 1512. The cutting dimension remains the same.

DOOR CUTTING LIST

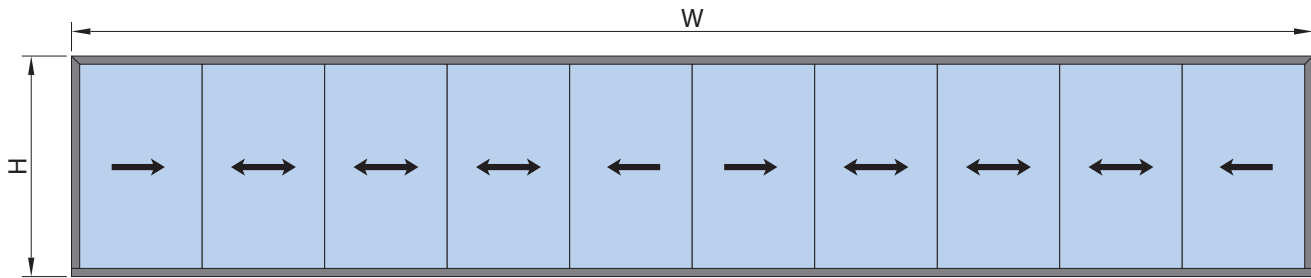


GLASS WIDTH (GH)	GLASS HEIGHT (GH)	PIECES
$GW = T + 24\text{mm}$	$GH = SS - 93.5\text{mm}$	9

DESCRIPTION	CODE	CUTTING DIMENSION	CUTTING ANGLE	PIECES
DOWN FRAME (DF)	1501	$DF = W$	$90^{\circ}-90^{\circ}$	1
UP FRAME (UF)	1500	$UF = W$	$45^{\circ}-45^{\circ}$	1
SIDE FRAME (SF)	1500	$SF = H - 7,6\text{mm}$	$45^{\circ}-90^{\circ}$	2
SIDE SASH (SS)	1509	$SS = H - 48\text{mm}$	$90^{\circ}-90^{\circ}$	18
UP SASH (US)	1508	$US = W - 268,7\text{mm} / 9$	$90^{\circ}-90^{\circ}$	9
THRESHOLD (T)	1503	$T = US$	$90^{\circ}-90^{\circ}$	9

When using glass panes of 10mm thickness, replace profile 1503 with profile 1510, profile 1509 with profile 1505 and profile 1508 with profile 1512. The cutting dimension remains the same.

DOOR CUTTING LIST



GLASS WIDTH (GH)	GLASS HEIGHT (GH)	PIECES
$GW = T + 24\text{mm}$	$GH = SS - 93.5\text{mm}$	10

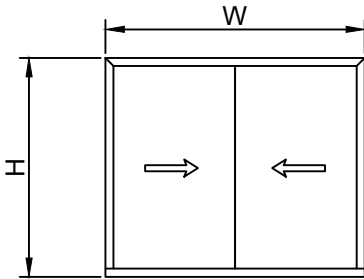
DESCRIPTION	CODE	CUTTING DIMENSION	CUTTING ANGLE	PIECES
DOWN FRAME (DF)	1501	$DF = W$	90°-90°	1
UP FRAME (UF)	1500	$UF = W$	45°-45°	1
SIDE FRAME (SF)	1500	$SF = H - 7,6\text{mm}$	45°-90°	2
SIDE SASH (SS)	1509	$SS = H - 48\text{mm}$	90°-90°	20
UP SASH (US)	1508	$US = W - 284,6\text{mm} / 10$	90°-90°	10
THRESHOLD (T)	1503	$T = US$	90°-90°	10

When using glass panes of 10mm thickness, replace profile 1503 with profile 1510, profile 1509 with profile 1505 and profile 1508 with profile 1512. The cutting dimension remains the same.

PS50 PATIO SLIDE SYSTEM



CUTTING LIST WINDOW



GLASS WIDTH (GW)	GLASS HEIGHT (GH)	PIECES
$GW = T + 24\text{mm}$	$GH = SS - 91.5\text{mm}$	2

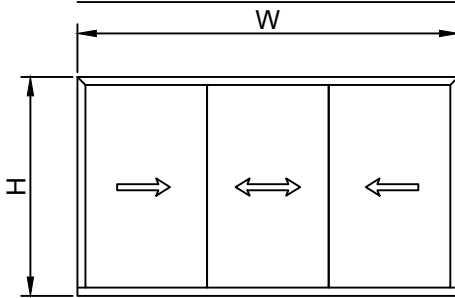
DESCRIPTION	CODE	CUTTING DIMENSION	CUTTING ANGLE	PIECES
DOWN FRAME A (DFA)	1502	$DFA = W - 40\text{mm}$	90°-90°	1
DOWN FRAME B (DFB)	1507	$DFB = DFA$	90°-90°	1
UP FRAME (UF)	1500	$UF = DFA$	90°-90°	1
SIDE FRAME (SF)	1507	$SF = H$	90°-90°	2
SIDE SASH (SS)	1509	$SS = H - 67,1\text{mm}$	90°-90°	4
UP SASH (US)	1508	$US = W - 102,7\text{mm} / 2$	90°-90°	2
THRESHOLD (T)	1504	$T = US$	90°-90°	2
ADD ON PROFILE (A)	1506	$A = H - 86,6\text{mm}$	90°-90°	2

When using glass panes of 10mm thickness, replace profile 1504 with profile 1511, profile 1509 with profile 1505 and profile 1508 with profile 1512. The cutting dimension remains the same.

PS50 PATIO SLIDE SYSTEM



CUTTING LIST WINDOW



GLASS WIDTH (GW)	GLASS HEIGHT (GH)	PIECES
$GW = T + 24\text{mm}$	$GH = SS - 91.5\text{mm}$	3

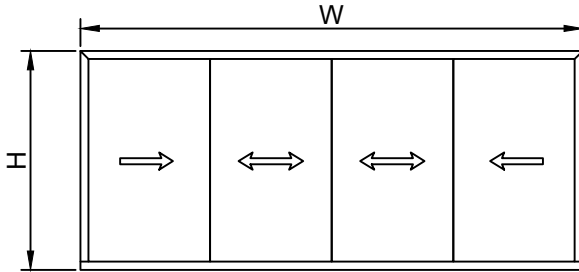
DESCRIPTION	CODE	CUTTING DIMENSION	CUTTING ANGLE	PIECES
DOWN FRAME A (DFA)	1502	$DFA = W - 40\text{mm}$	90°-90°	1
DOWN FRAME B (DFB)	1507	$DFB = DFA$	90°-90°	1
UP FRAME (UF)	1500	$UF = DFA$	90°-90°	1
SIDE FRAME (SF)	1507	$SF = H$	90°-90°	2
SIDE SASH (SS)	1509	$SS = H - 67,1\text{mm}$	90°-90°	6
UP SASH (US)	1508	$US = W - 118,6\text{mm} / 3$	90°-90°	3
THRESHOLD (T)	1504	$T = US$	90°-90°	3
ADD ON PROFILE (A)	1506	$A = H - 86,6\text{mm}$	90°-90°	2

When using glass panes of 10mm thickness, replace profile 1504 with profile 1511, profile 1509 with profile 1505 and profile 1508 with profile 1512. The cutting dimension remains the same.

PS50 PATIO SLIDE SYSTEM



CUTTING LIST WINDOW



GLASS WIDTH (GW)	GLASS HEIGHT (GH)	PIECES
$GW = T + 24\text{mm}$	$GH = SS - 91.5\text{mm}$	4

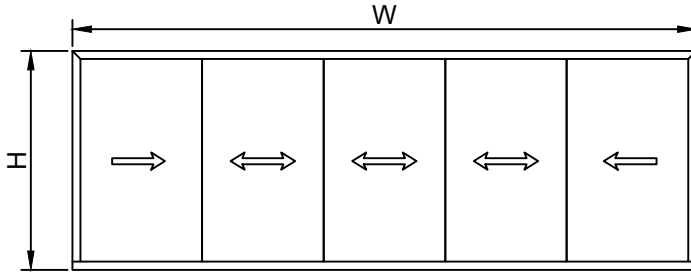
DESCRIPTION	CODE	CUTTING DIMENSION	CUTTING ANGLE	PIECES
DOWN FRAME A (DFA)	1502	$DFA = W - 40\text{mm}$	90°-90°	1
DOWN FRAME B (DFB)	1507	$DFB = DFA$	90°-90°	1
UP FRAME (UF)	1500	$UF = DFA$	90°-90°	1
SIDE FRAME (SF)	1507	$SF = H$	90°-90°	2
SIDE SASH (SS)	1509	$SS = H - 67,1\text{mm}$	90°-90°	8
UP SASH (US)	1508	$US = W - 134,5\text{mm} / 4$	90°-90°	4
THRESHOLD (T)	1504	$T = US$	90°-90°	4
ADD ON PROFILE (A)	1506	$A = H - 86,6\text{mm}$	90°-90°	2

When using glass panes of 10mm thickness, replace profile 1504 with profile 1511, profile 1509 with profile 1505 and profile 1508 with profile 1512. The cutting dimension remains the same.

PS50 PATIO SLIDE SYSTEM



CUTTING LIST WINDOW



GLASS WIDTH (GW)	GLASS HEIGHT (GH)	PIECES
$GW = T + 24\text{mm}$	$GH = SS - 91.5\text{mm}$	5

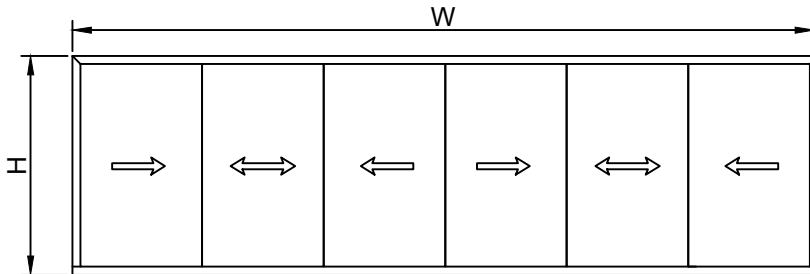
DESCRIPTION	CODE	CUTTING DIMENSION	CUTTING ANGLE	PIECES
DOWN FRAME A (DFA)	1502	$DFA = W - 40\text{mm}$	90°-90°	1
DOWN FRAME B (DFB)	1507	$DFB = DFA$	90°-90°	1
UP FRAME (UF)	1500	$UF = DFA$	90°-90°	1
SIDE FRAME (SF)	1507	$SF = H$	90°-90°	2
SIDE SASH (SS)	1509	$SS = H - 67,1\text{mm}$	90°-90°	10
UP SASH (US)	1508	$US = W - 150,4\text{mm} / 5$	90°-90°	5
THRESHOLD (T)	1504	$T = US$	90°-90°	5
ADD ON PROFILE (A)	1506	$A = H - 86,6\text{mm}$	90°-90°	2

When using glass panes of 10mm thickness, replace profile 1504 with profile 1511, profile 1509 with profile 1505 and profile 1508 with profile 1512. The cutting dimension remains the same.

PS50 PATIO SLIDE SYSTEM



CUTTING LIST WINDOW



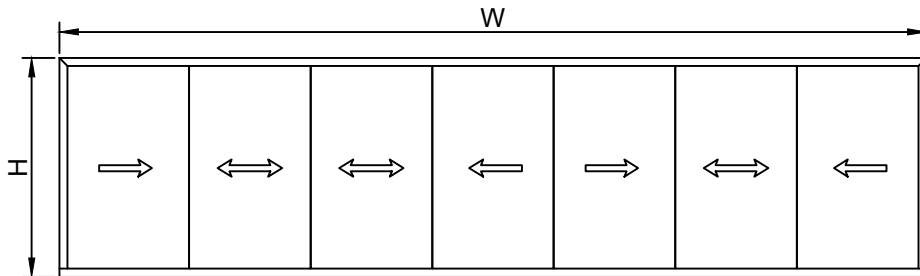
GLASS WIDTH (GW)	GLASS HEIGHT (GH)	PIECES
$GW = T + 24\text{mm}$	$GH = SS - 91.5\text{mm}$	6

DESCRIPTION	CODE	CUTTING DIMENSION	CUTTING ANGLE	PIECES
DOWN FRAME A (DFA)	1502	$DFA = W - 40\text{mm}$	90°-90°	1
DOWN FRAME B (DFB)	1507	$DFB = DFA$	90°-90°	1
UP FRAME (UF)	1500	$UF = DFA$	90°-90°	1
SIDE FRAME (SF)	1507	$SF = H$	90°-90°	2
SIDE SASH (SS)	1509	$SS = H - 67,1\text{mm}$	90°-90°	12
UP SASH (US)	1508	$US = W - 192,2\text{mm} / 6$	90°-90°	6
THRESHOLD (T)	1504	$T = US$	90°-90°	6
ADD ON PROFILE (A)	1506	$A = H - 86,6\text{mm}$	90°-90°	2

When using glass panes of 10mm thickness, replace profile 1504 with profile 1511, profile 1509 with profile 1505 and profile 1508 with profile 1512. The cutting dimension remains the same.

PS50 PATIO SLIDE SYSTEM

CUTTING LIST WINDOW



GLASS WIDTH (GW)	GLASS HEIGHT (GH)	PIECES
$GW = T + 24\text{mm}$	$GH = SS - 93.1\text{mm}$	7

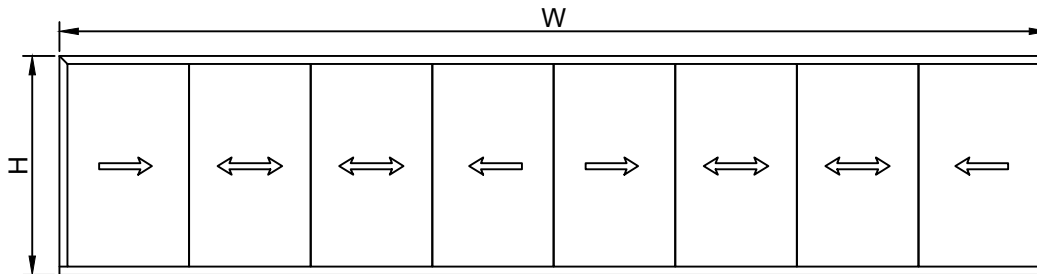
DESCRIPTION	CODE	CUTTING DIMENSION	CUTTING ANGLE	PIECES
DOWN FRAME A (DFA)	1502	$DFA = W - 40\text{mm}$	90°-90°	1
DOWN FRAME B (DFB)	1507	$DFB = DFA$	90°-90°	1
UP FRAME (UF)	1500	$UF = DFA$	90°-90°	1
SIDE FRAME (SF)	1507	$SF = H$	90°-90°	2
SIDE SASH (SS)	1509	$SS = H - 67,1\text{mm}$	90°-90°	14
UP SASH (US)	1508	$US = W - 208,1\text{mm} / 7$	90°-90°	7
THRESHOLD (T)	1504	$T = US$	90°-90°	7
ADD ON PROFILE (A)	1506	$A = H - 86,6\text{mm}$	90°-90°	2

When using glass panes of 10mm thickness, replace profile 1504 with profile 1511, profile 1509 with profile 1505 and profile 1508 with profile 1512. The cutting dimension remains the same.

PS50 PATIO SLIDE SYSTEM



CUTTING LIST WINDOW



GLASS WIDTH (GW)	GLASS HEIGHT (GH)	PIECES
$GW = T + 24\text{mm}$	$GH = SS - 91.5\text{mm}$	8

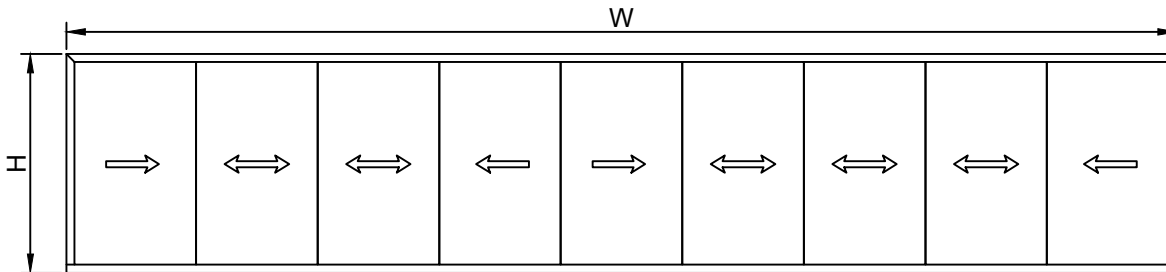
DESCRIPTION	CODE	CUTTING DIMENSION	CUTTING ANGLE	PIECES
DOWN FRAME A (DFA)	1502	$DFA = W - 40\text{mm}$	90°-90°	1
DOWN FRAME B (DFB)	1507	$DFB = DFA$	90°-90°	1
UP FRAME (UF)	1500	$UF = DFA$	90°-90°	1
SIDE FRAME (SF)	1507	$SF = H$	90°-90°	2
SIDE SASH (SS)	1509	$SS = H - 67,1\text{mm}$	90°-90°	16
UP SASH (US)	1508	$US = W - 224\text{mm} / 8$	90°-90°	8
THRESHOLD (T)	1504	$T = US$	90°-90°	8
ADD ON PROFILE (A)	1506	$A = H - 86,6\text{mm}$	90°-90°	2

When using glass panes of 10mm thickness, replace profile 1504 with profile 1511, profile 1509 with profile 1505 and profile 1508 with profile 1512. The cutting dimension remains the same.

PS50 PATIO SLIDE SYSTEM



CUTTING LIST WINDOW



GLASS WIDTH (GW)	GLASS HEIGHT (GH)	PIECES
$GW = T + 24\text{mm}$	$GH = SS - 91.5\text{mm}$	9

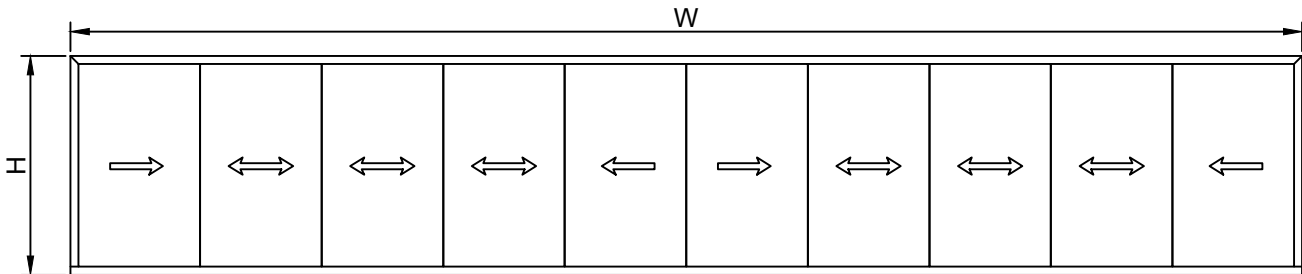
DESCRIPTION	CODE	CUTTING DIMENSION	CUTTING ANGLE	PIECES
DOWN FRAME A (DFA)	1502	$DFA = W - 40\text{mm}$	90°-90°	1
DOWN FRAME B (DFB)	1507	$DFB = DFA$	90°-90°	1
UP FRAME (UF)	1500	$UF = DFA$	99°-90°	1
SIDE FRAME (SF)	1507	$SF = H$	90°-90°	2
SIDE SASH (SS)	1509	$SS = H - 67,1\text{mm}$	90°-90°	18
UP SASH (US)	1508	$US = W - 239,9\text{mm} / 9$	90°-90°	9
THRESHOLD (T)	1504	$T = US$	90°-90°	9
ADD ON PROFILE (A)	1506	$A = H - 86,6\text{mm}$	90°-90°	2

When using glass panes of 10mm thickness, replace profile 1504 with profile 1511, profile 1509 with profile 1505 and profile 1508 with profile 1512. The cutting dimension remains the same.

PS50 PATIO SLIDE SYSTEM



CUTTING LIST WINDOW



GLASS WIDTH (GW)	GLASS HEIGHT (GH)	PIECES
$GW = T + 24\text{mm}$	$GH = SS - 91.5\text{mm}$	10

DESCRIPTION	CODE	CUTTING DIMENSION	CUTTING ANGLE	PIECES
DOWN FRAME A (DFA)	1502	$DFA = W - 40\text{mm}$	90°-90°	1
DOWN FRAME B (DFB)	1507	$DFB = DFA$	90°-90°	1
UP FRAME (UF)	1500	$UF = DFA$	90°-90°	1
SIDE FRAME (SF)	1507	$SF = H$	90°-90°	2
SIDE SASH (SS)	1509	$SS = H - 67,1\text{mm}$	90°-90°	20
UP SASH (US)	1508	$US = W - 255,8\text{mm} / 10$	90°-90°	10
THRESHOLD (T)	1504	$T = US$	90°-90°	10
ADD ON PROFILE (A)	1506	$A = H - 86,6\text{mm}$	90°-90°	2

When using glass panes of 10mm thickness, replace profile 1504 with profile 1511, profile 1509 with profile 1505 and profile 1508 with profile 1512. The cutting dimension remains the same.

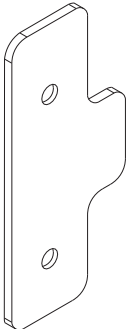
NOTES

A series of horizontal dotted lines for taking notes.

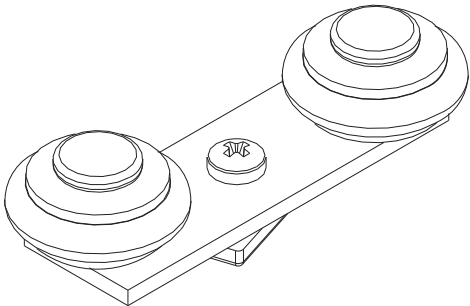
ACCESSORIES

ACCESSORIES

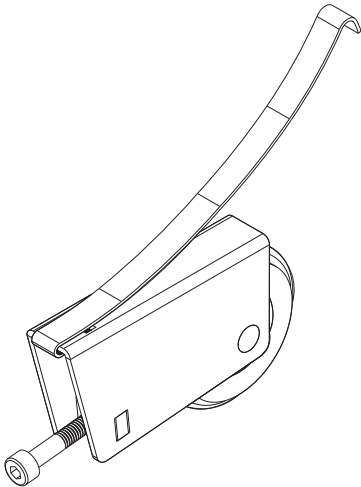
PS2013



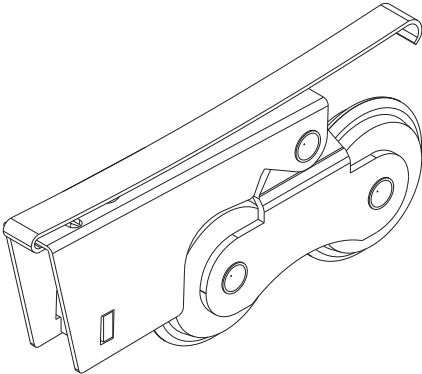
PS2004



PS2001

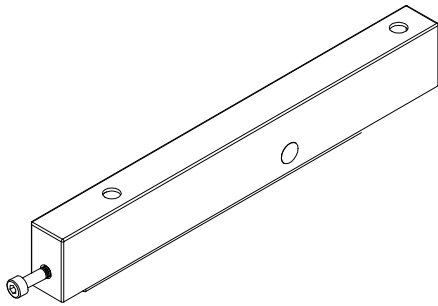


PS2002

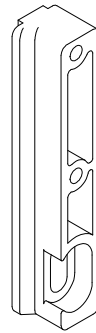


ACCESSORIES

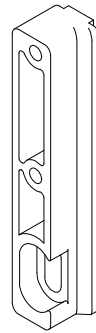
PS2003



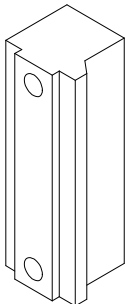
PS2012
Inner connection cap /
Right for frame 1501



PS2011
Inner connection cap /
Left for frame 1501



PS2015
Inner connection cap for
frame 1502

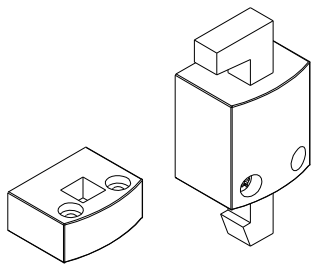


PS50 PATIO SLIDE SYSTEM

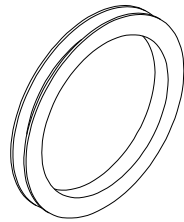


ACCESSORIES

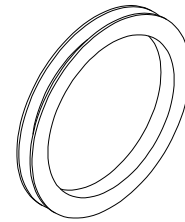
PVC LOCK PS2008



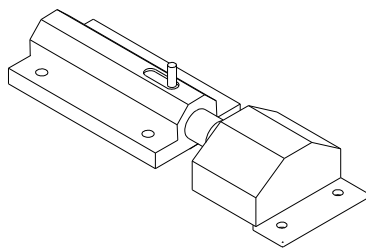
HANDLE /PVC/ PS2009



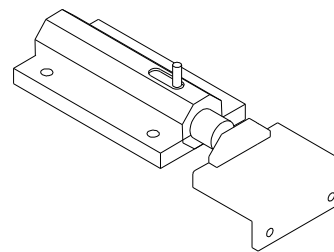
HANDLE /METAL/ PS2010



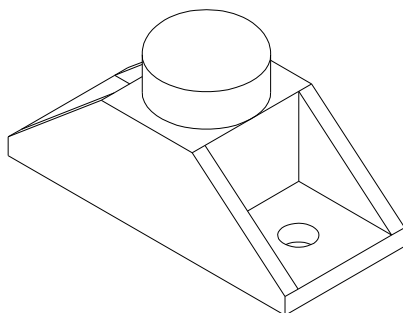
METAL LOCK PS2018
(FOR FRAME 1501)



METAL LOCK PS2019
(FOR FRAME 1502)



BUFFER STOP PS2017





ALTEST[®]
Ltd.

8000 Burgas
South Industrial Zone, Bulgaria

Tel.: +359 56 880 440
Fax: +359 56 880 443
office@altest-kmg.com

www.altest-kmg.com