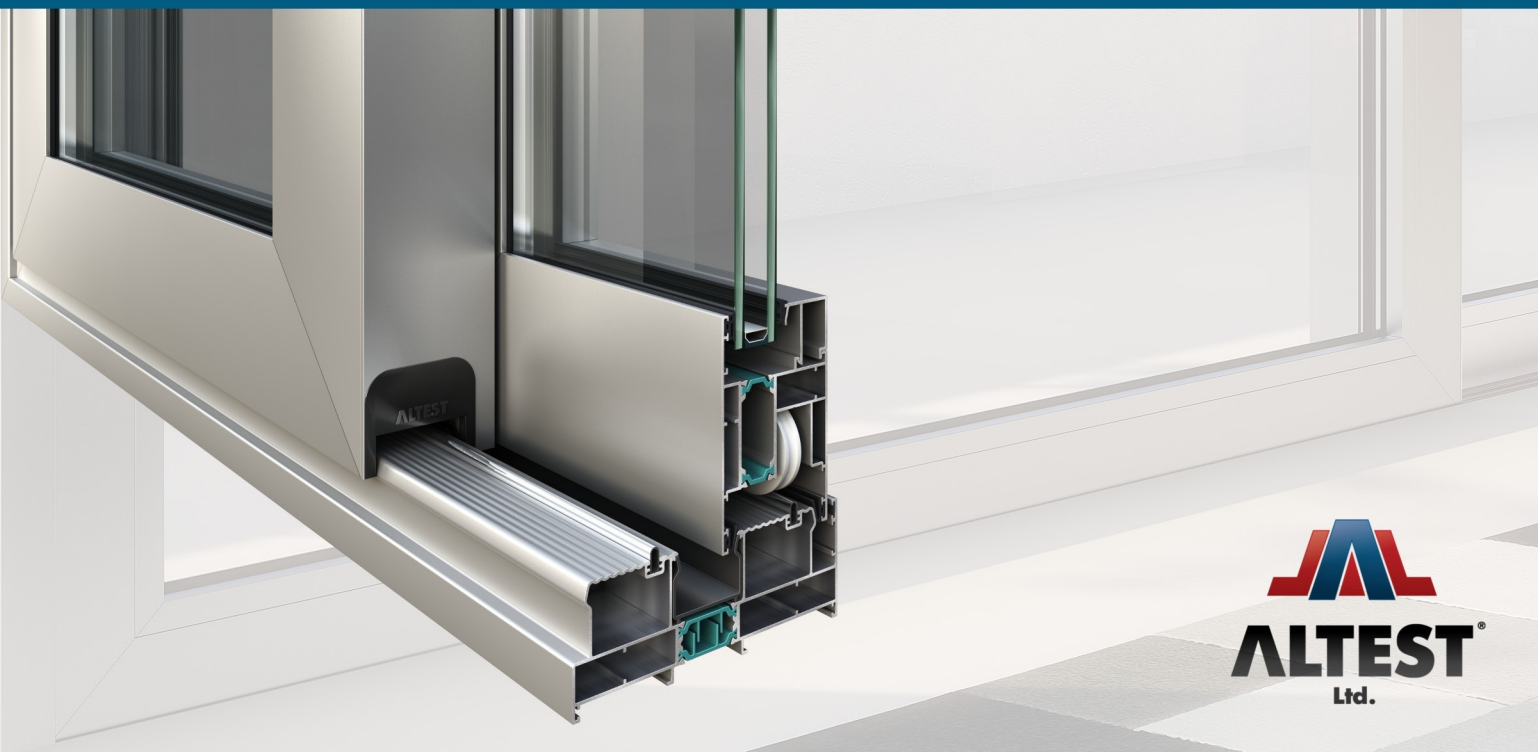


A ALTEST[®]

ALUMINIUM PROFILES SYSTEMS

LS70





ALTEST®
Ltd.

ATTENTION!

For faultless operation, please read carefully this catalogue!

It was elaborated by ALTEST Company. Its copying, reproduction, and reprinting without our consent is not welcomed!

The profiles presented in the catalogue are patented and ALTEST Company has the exclusive rights. ALTEST Company reserves that right to modify the profiles and the presented sections at its own discretion. The system is equipped with full set of calculations made in accordance with the existing manufacturing requirements, presented in this catalogue.

In conclusion - use original ALTEST profiles in compliance with the peculiarities and the technical characteristics presented in this catalogue.



Series LS70

Contents

- 4 Profiles Overview
- 10 Profiles
- 19 Accessories
- 26 Sections
- 68 Cutting Analysis
- 74 3D Details


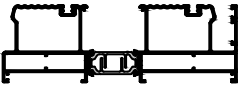


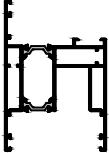


ALTEST[®]
ALUMINIUM PROFILES SYSTEMS

Series LS70






PROFILES OVERVIEW

PROFILES OVERVIEW

<i>Profile shape</i>	<i>Profile code</i>	<i>Profile description</i>	<i>Weight (gr/m)</i>	<i>Perimeter (mm)</i>
	07 0001	Frame	1757	423,4
	07 0002	Frame	2810	722
	07 0003	Frame	3017	805,3
	07 0004	Frame	4274	1059,3
	07 0005	Sash	1985	571,7

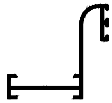
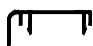
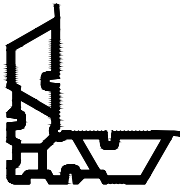
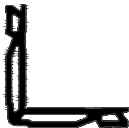

WARNING!!! ALL OF THE PROFILE WEIGHTS ARE THEORETICAL

PROFILES OVERVIEW

<i>Profile shape</i>	<i>Profile code</i>	<i>Profile description</i>	<i>Weight (gr/m)</i>	<i>Perimeter (mm)</i>
	07 0006	meeting stile profile	1198,7	262,9
	07 0014	Add on profile	669,3	143,5
	07 0009	Hook	522	321
	300 0128	Mosquito profile	661	336
	07 0012	mosquito rail	311	128,3

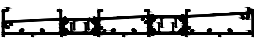




WARNING!!! ALL OF THE PROFILE WEIGHTS ARE THEORETICAL

PROFILES OVERVIEW

Profile shape	Profile code	Profile description	Weight (gr/m)	Perimeter (mm)
	07 0010	Wall cover	563	303
	07 0011	Cover	326	118
	07-3	Press corner	4600,1	419,1
	07-4	Press corner	xxxx	xxxx
	07 0015	Press corner	1955	489,5

WARNING!!! ALL OF THE PROFILE WEIGHTS ARE THEORETICAL

PROFILES OVERVIEW

Profile shape	Profile code	Profile description	Weight (gr/m)	Perimeter (mm)
	07 0016	Press corner	3613	733,7
	07 0017	Handle	1177.2	314.2
	07 0018	Handle cover	359,1	203,4
	07 0019	Rail cover	553	298
	05.0400	glazing bead <i>26mm glass</i>	388	193

WARNING!!! ALL OF THE PROFILE WEIGHTS ARE THEORETICAL

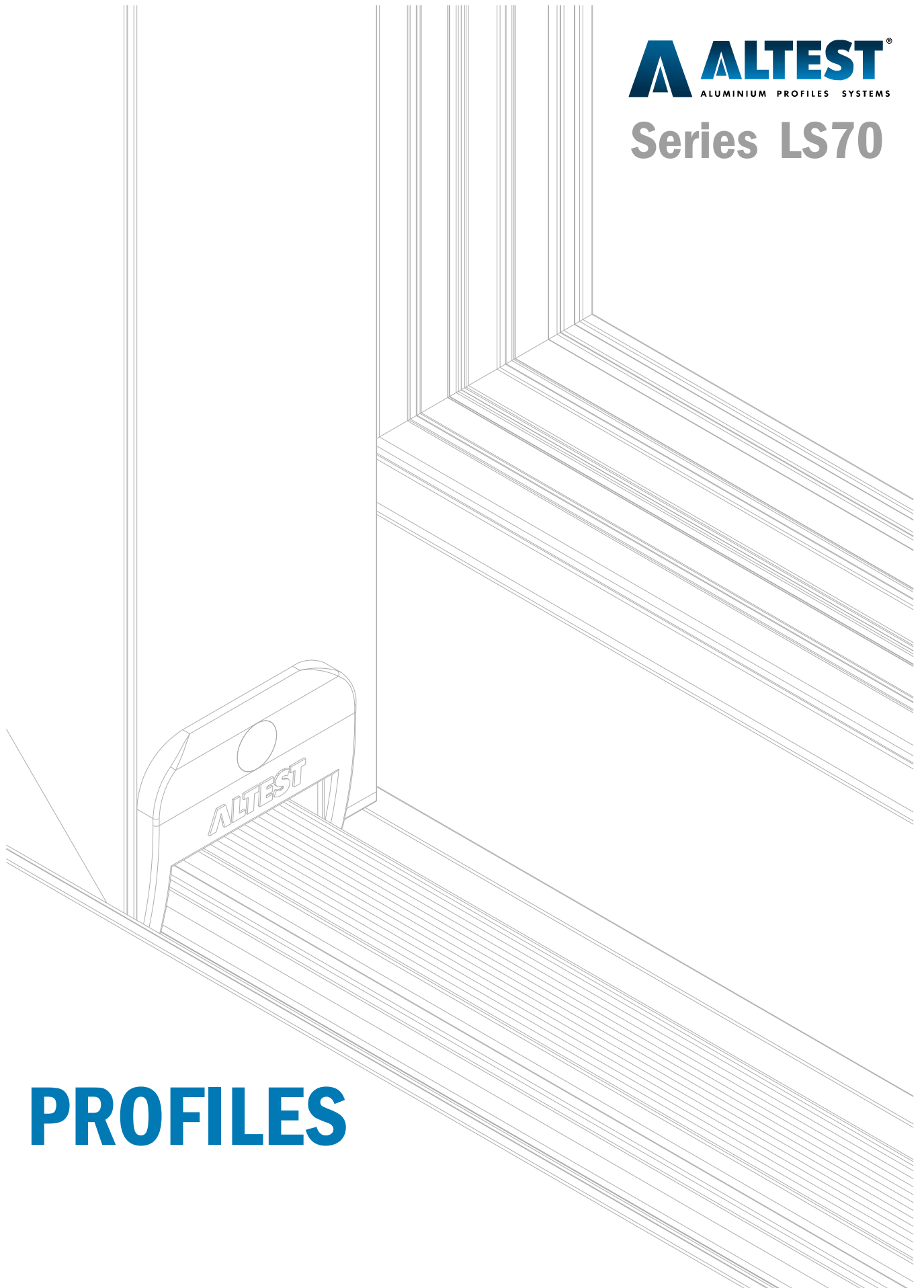
PROFILES OVERVIEW

<i>Profile shape</i>	<i>Profile code</i>	<i>Profile description</i>	<i>Weight (gr/m)</i>	<i>Perimeter (mm)</i>
	05.0402	glazing bead <i>32mm glass</i>	364	181,4
	05.0404	glazing bead <i>40mm glass</i>	344	172
	07.0013	glazing bead <i>42mm glass</i>	290	148,5

WARNING!!! ALL OF THE PROFILE WEIGHTS ARE THEORETICAL

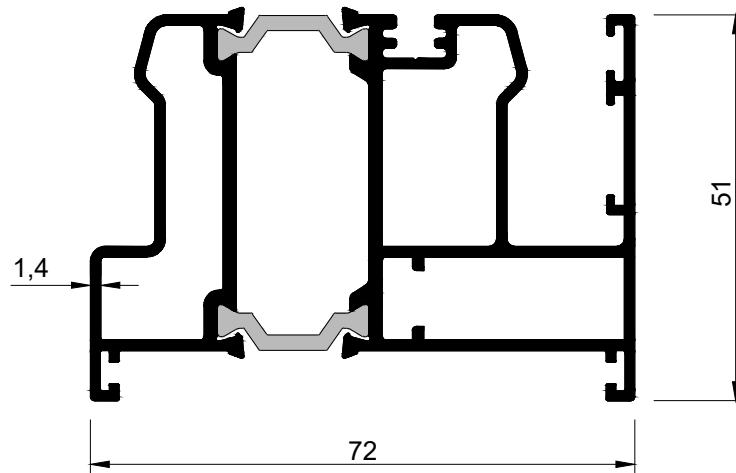
ALTEST[®]
ALUMINIUM PROFILES SYSTEMS

Series LS70

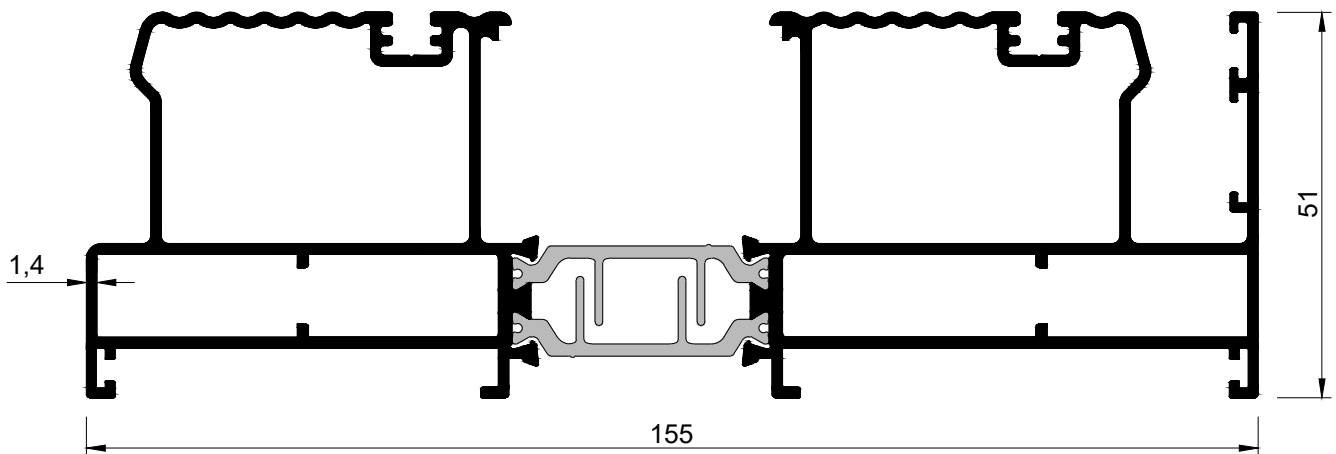


PROFILES

PROFILES

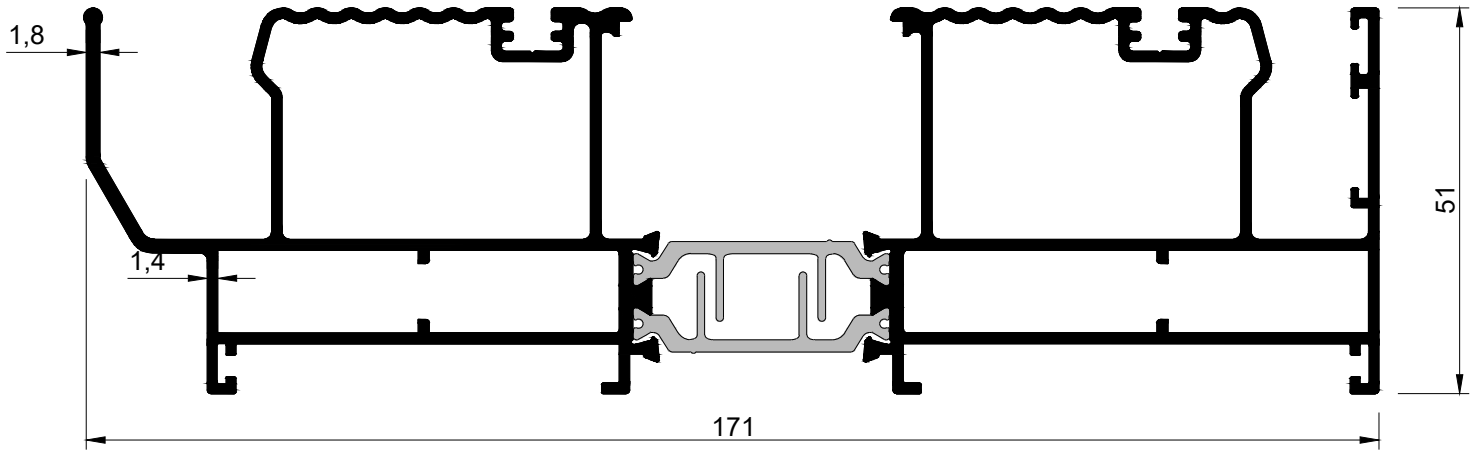


Frame	Weight (gr/m)	Ix / Iy (cm ⁴)
07 0001	1757	18,73 / 32,46

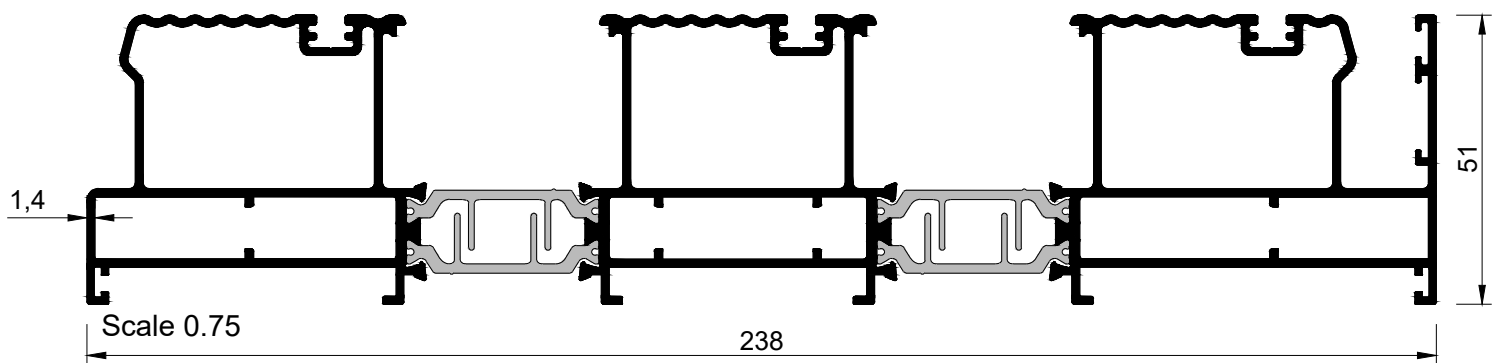


Frame	Weight (gr/m)	Ix / Iy (cm ⁴)
07 0002	2810	28,98 / 238,6

PROFILES

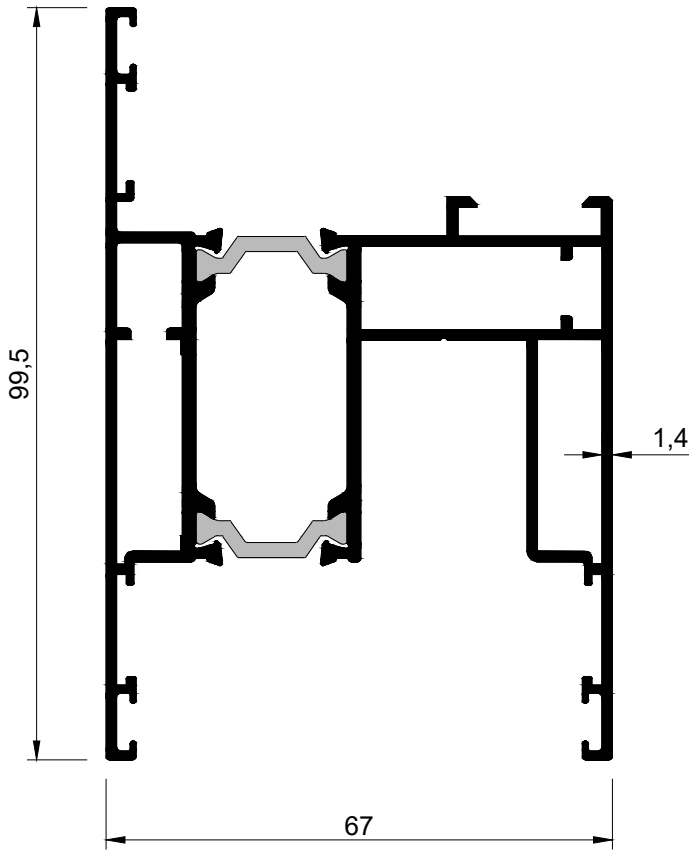


Frame	Weight (gr/m)	Ix / Iy (cm ⁴)
07 0003	3017	30,31 / 298,8

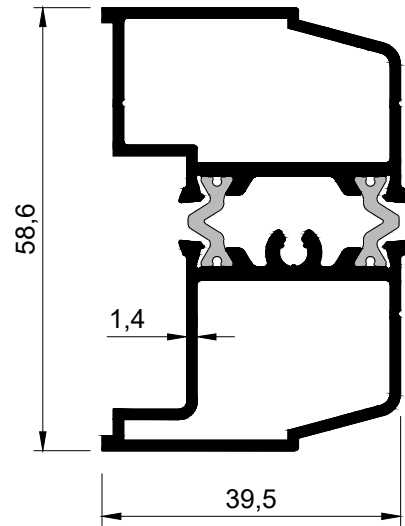


Frame	Weight (gr/m)	Ix / Iy (cm ⁴)
07 0004	4274	44,13 / 841,3

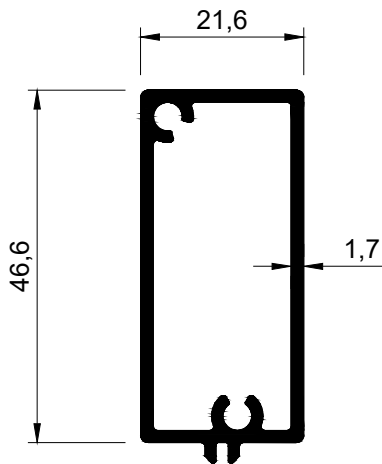
PROFILES



Sash 07 0005	Weight (gr/m)	Ix / Iy (cm ⁴)
	1985	36,94 / 44,99

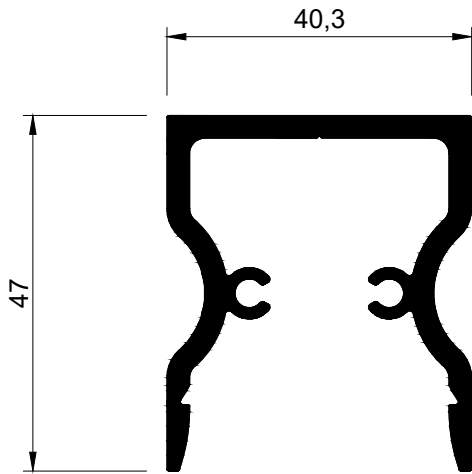


Meeting stile 07 0006	Weight (gr/m)	Ix / Iy (cm ⁴)
	1198,7	13,44 / 7,2

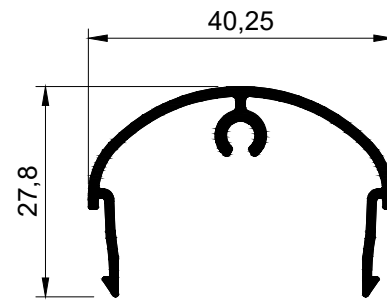


Add on profile 07 0014	Weight (gr/m)	Ix / Iy (cm ⁴)
	669,3	7,1 / 1,78

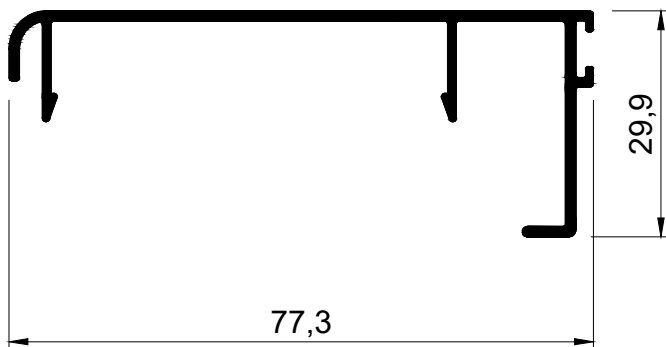
PROFILES



Handle 07 0017	Weight (gr/m)	Ix / Iy (cm ⁴)
	1168	8,48 / 10,05

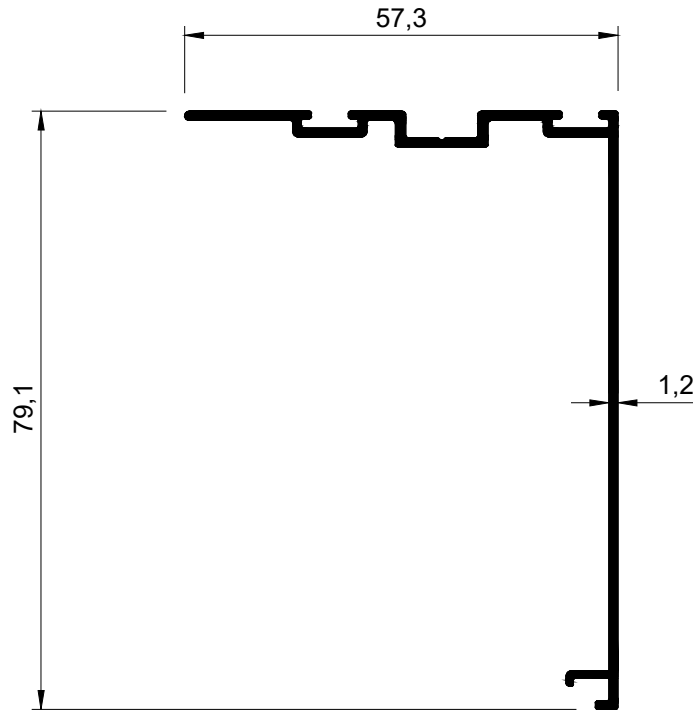


Handle Cover 07 0018	Weight (gr/m)	Ix / Iy (cm ⁴)
	359	0,82 / 2,45

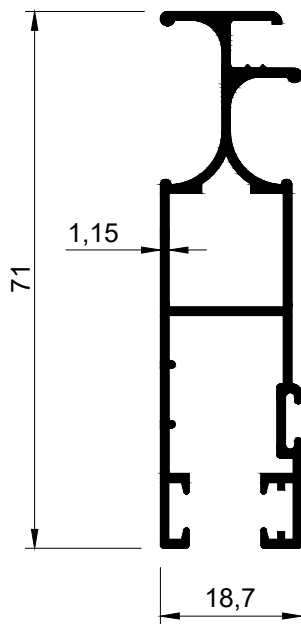


Handle 07 0019	Weight (gr/m)	Ix / Iy (cm ⁴)
	553	1,42 / 14,96

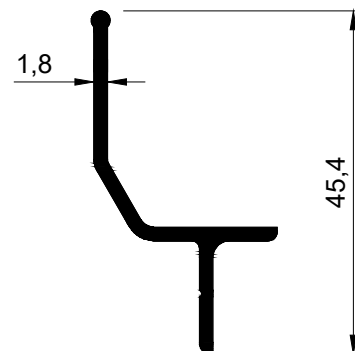
PROFILES



Hook 07 0009	Weight (gr/m)	Ix / Iy (cm ⁴)
	522	13,97 / 5,69

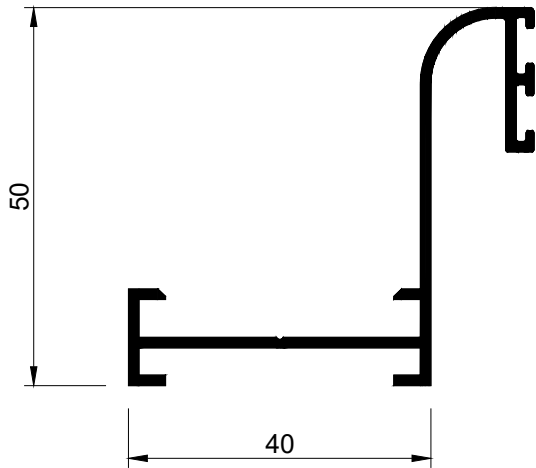


Mosquito profile 300 0128	Weight (gr/m)	Ix / Iy (cm ⁴)
	661	11,79 / 1,07

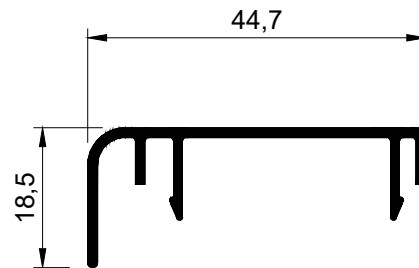


Mosquito rail 07 0012	Weight (gr/m)	Ix / Iy (cm ⁴)
	311	1,52 / 0,61

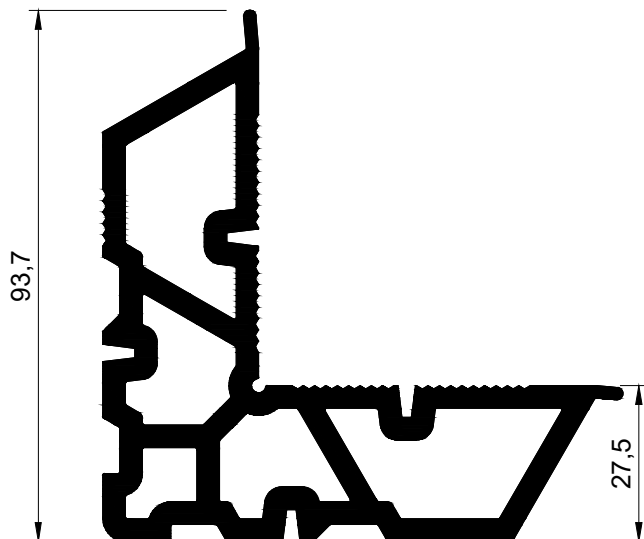
PROFILES



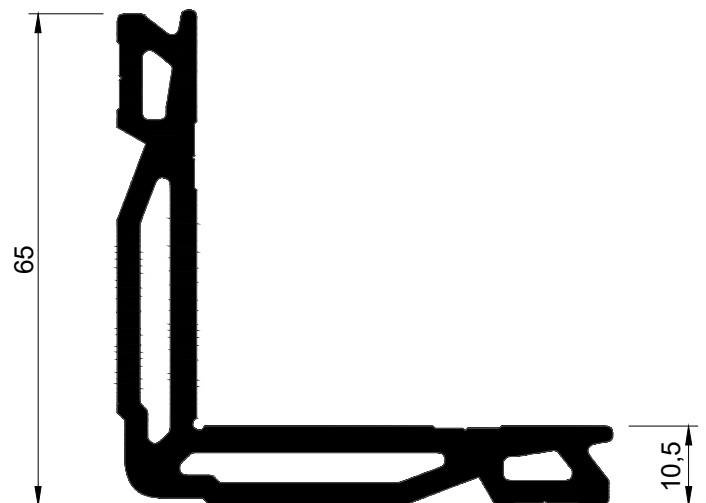
Wall cover 07 0010	Weight (gr/m)	Ix / Iy (cm ⁴)
	563	6,01 / 6,08



Cover 07 0011	Weight (gr/m)	Ix / Iy (cm ⁴)
	326	0,24 / 2,99

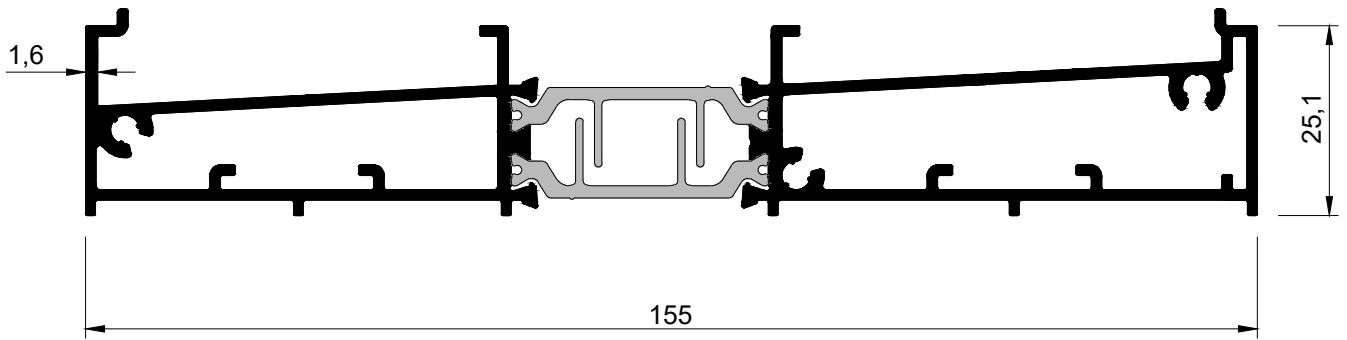


Press corner 07-3	Weight (gr/m)	Ix / Iy (cm ⁴)
	4600,1	98,3 / 98,3

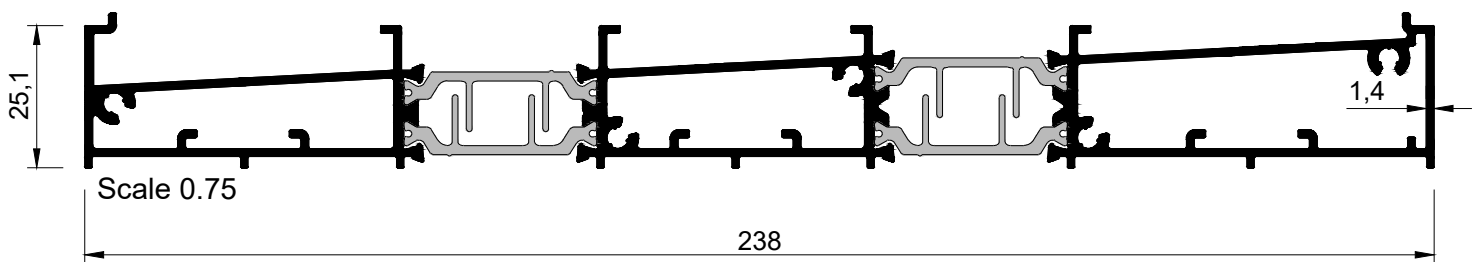


Press corner 07-4	Weight (gr/m)	Ix / Iy (cm ⁴)
	2305	xxx / xxx

PROFILES

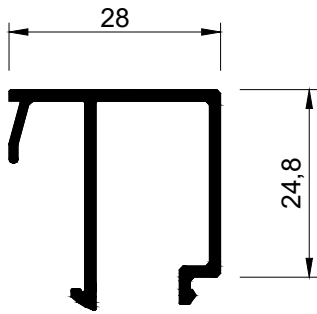


Water drainage profile 01 07 0015	Weight (gr/m)	Ix / Iy (cm ⁴)
	1955	3,93 / 169,1

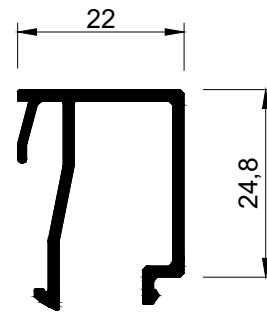


Water drainage profile 02 07 0016	Weight (gr/m)	Ix / Iy (cm ⁴)
	3028,2	6,67 / 596,8

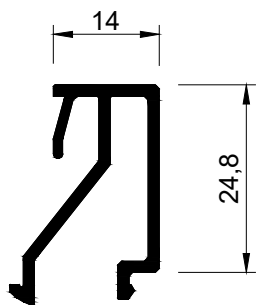
PROFILES



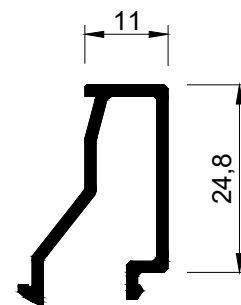
Glazing bead	Weight (gr/m)	Ix / Iy (cm ⁴)
05.0400	388	1,31 / 1,15



Glazing bead	Weight (gr/m)	Ix / Iy (cm ⁴)
05.0402	364	1,21 / 0,79



Glazing bead	Weight (gr/m)	Ix / Iy (cm ⁴)
05.0404	344	1,07 / 0,44



Glazing bead	Weight (gr/m)	Ix / Iy (cm ⁴)
07 0013	290	0,92 / 0,40

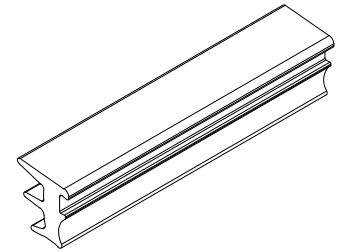


ALTEST[®]
ALUMINIUM PROFILES SYSTEMS

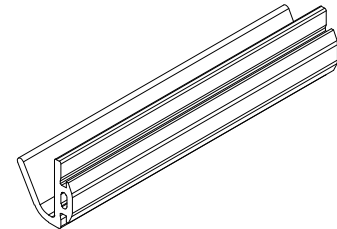
Series LS70

ACCESSORIES

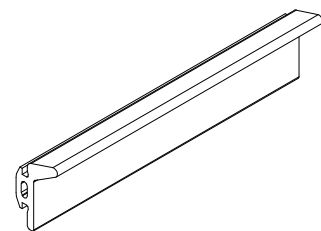
ACCESSORIES



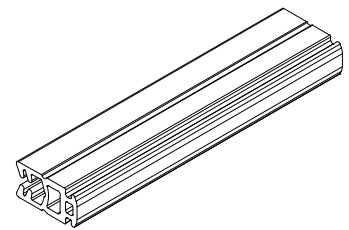
U00;0;1;1.5;2;2.5;3;4;5; EPDM gasket for glazing



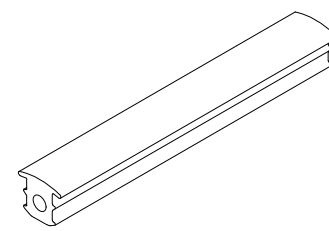
US0701 EPDM gasket for sash



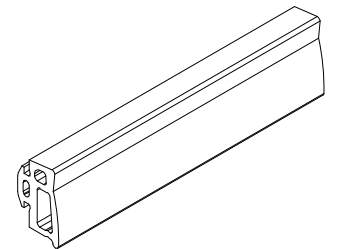
US0702 EPDM gasket for sash



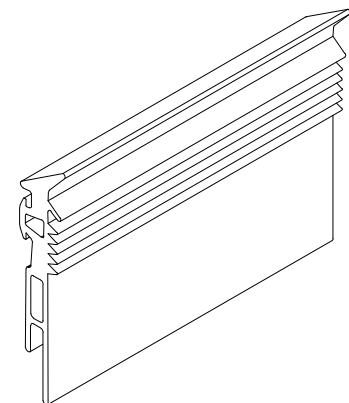
US0703 EPDM gasket for hook



US0704 EPDM gasket for frame



US115100 EPDM gasket for glazing

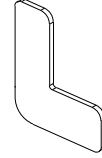


US0723 EPDM gasket for glazing
alternative for gasket US115100

ACCESSORIES

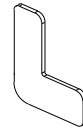
APE 7

Alignment corner



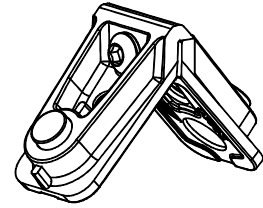
APE 6

Alignment corner



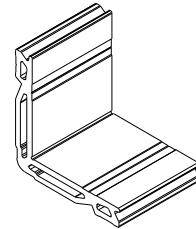
APE 4

Mechanical corner



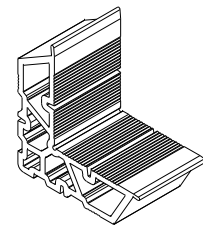
LS070400

Press corner for frame



LS070300

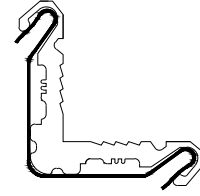
Press corner for sash



ACCESSORIES

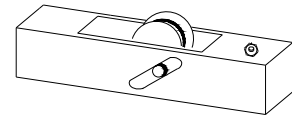
APE157

Plastic corner for mosquito profile



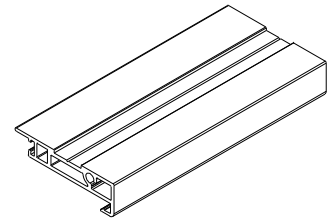
A0103

Wheel for mosquito profile



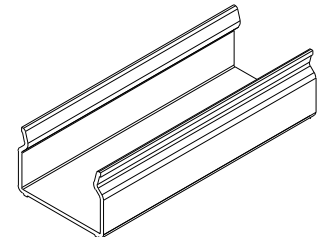
LS0705

PVC profile for hook



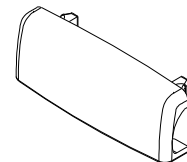
LS0702

PVC profile for frame



AL1210

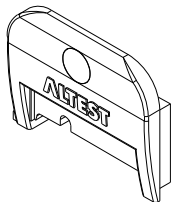
Water hole cap



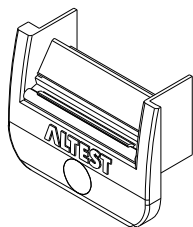
ACCESSORIES

KLS075L

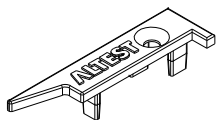
Left sash set



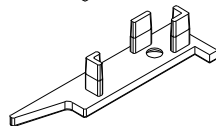
-1 piece-
Cap for hook
profile down left



-1 piece-
Cap for hook
profile up left

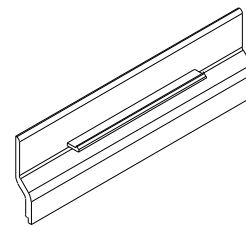


-1 piece-



-1 piece-

Caps for hook
PVC profile



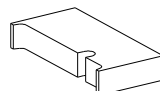
-4 pieces-
Sash alignment part



-2 pieces-
Screw cover cap



-1 piece-
Part for hook cover up +
Qlon profile assembled



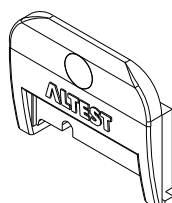
-1 piece-
EPDM foam for hook
cap down



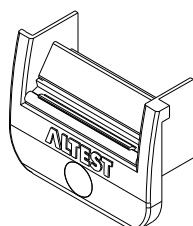
-4 pieces-
ST screw 4.2x13mm

KLS075R

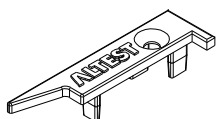
Right sash set



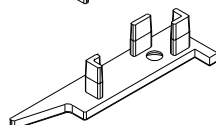
-1 piece-
Cap for hook
profile down right



-1 piece-
Cap for hook
profile up right

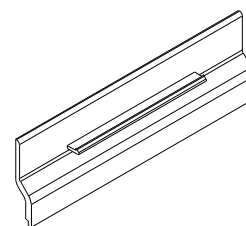


-1 piece-



-1 piece-

Caps for hook
PVC profile



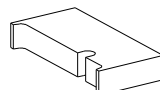
-4 pieces-
Sash alignment part



-2 pieces-
Screw cover cap



-1 piece-
Part for hook cover up +
Qlon profile assembled



-1 piece-
EPDM foam for hook
cap down

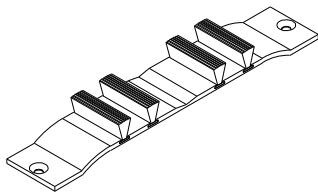


-4 pieces-
ST screw 4.2x13mm

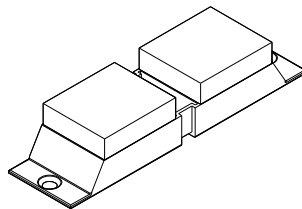
ACCESSORIES

KLS072

Frame and sash gaskets set



-1 piece-
Central gasket up



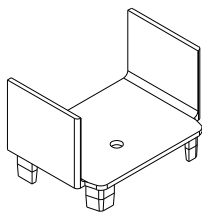
-1 piece-
Central gasket down



-4 pieces-
ST screw 4.2x13mm

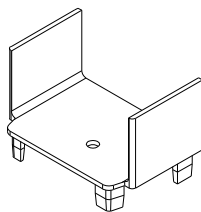
KLS076

Meeting stile profile set



Interlock profile
cap

-1 piece-



Interlock profile
cap

-1 piece-

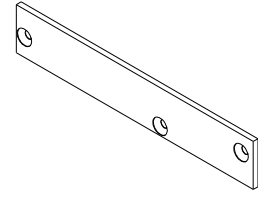


-2 pieces-
ST screw 4.2x19mm

ACCESSORIES

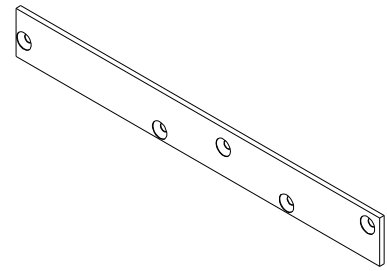
LS15

drainage solution cap



LS16

drainage solution cap



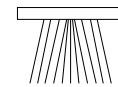
LS0701

inox rail



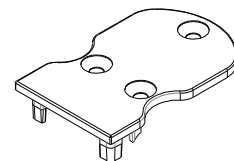
TZ6

brush



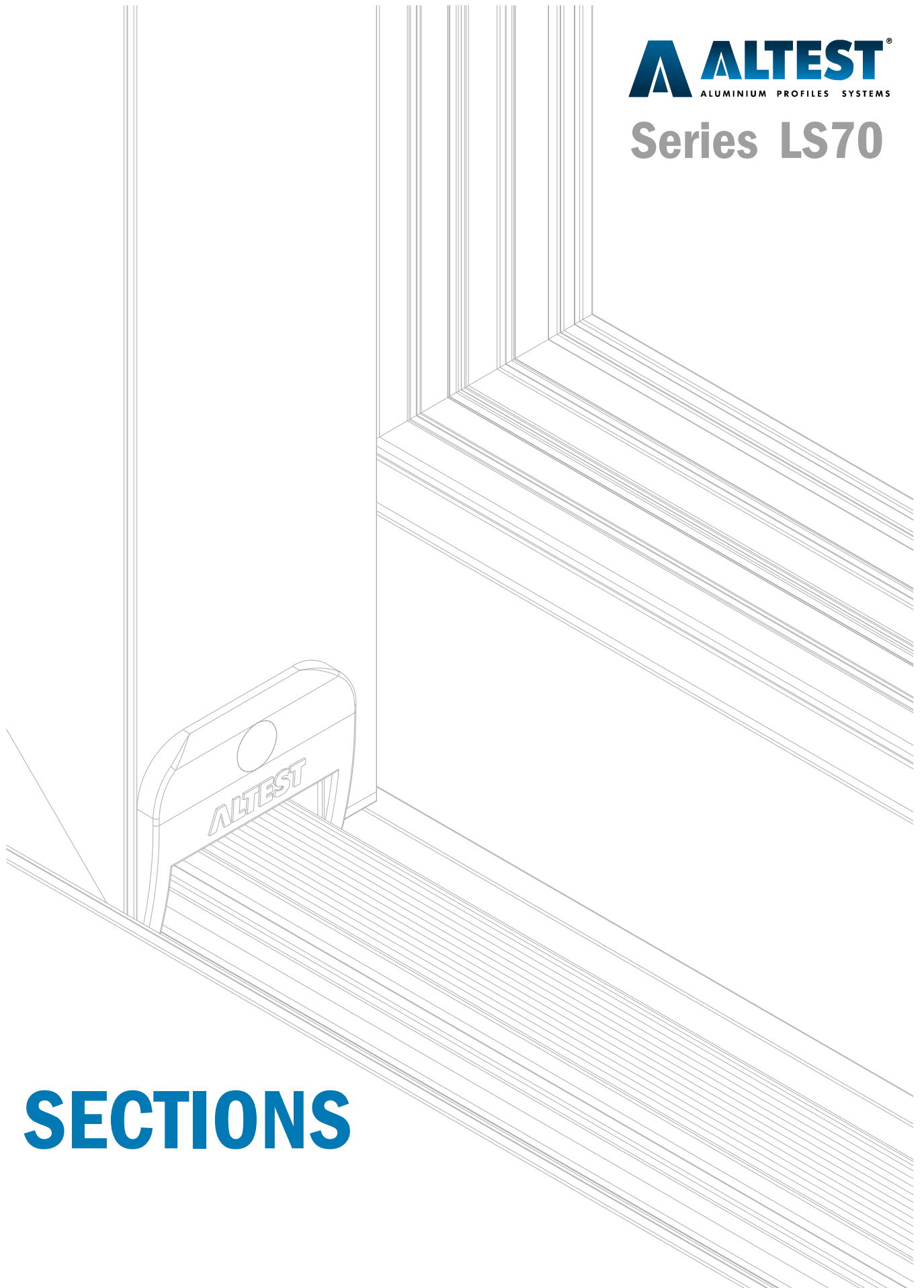
LS1718

Cover cap for handle profile



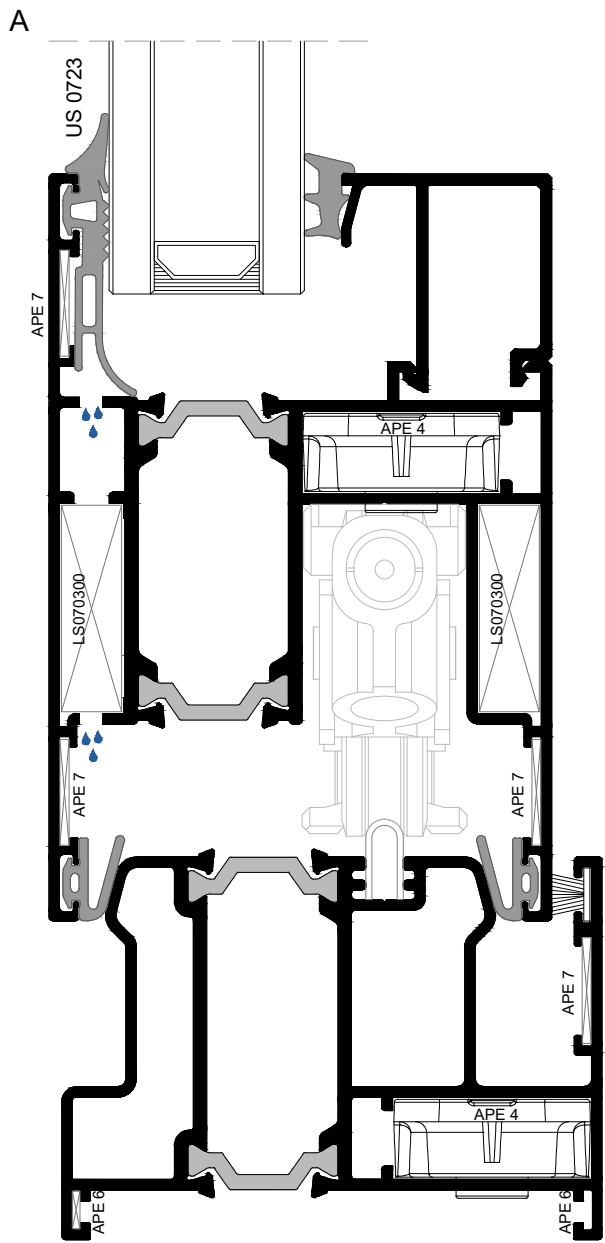
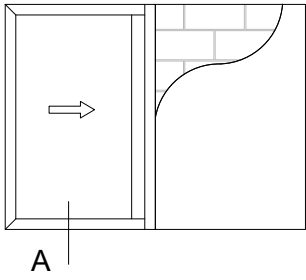
ALTEST[®]
ALUMINIUM PROFILES SYSTEMS

Series LS70



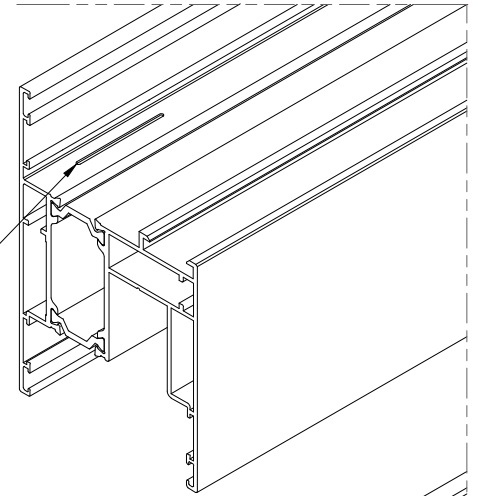
SECTIONS

DRAINAGE



①

Weep hole
milling



Pattern of cutting of US 0723 EPDM gasket

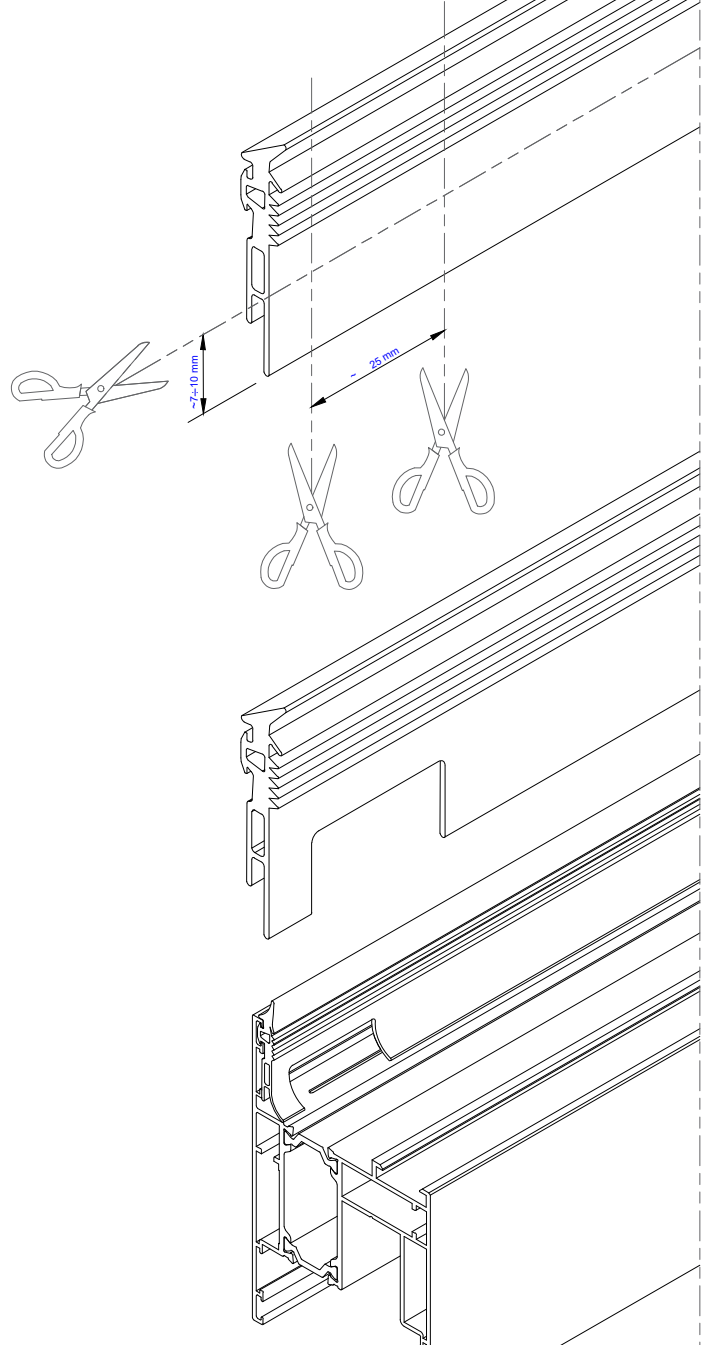
②



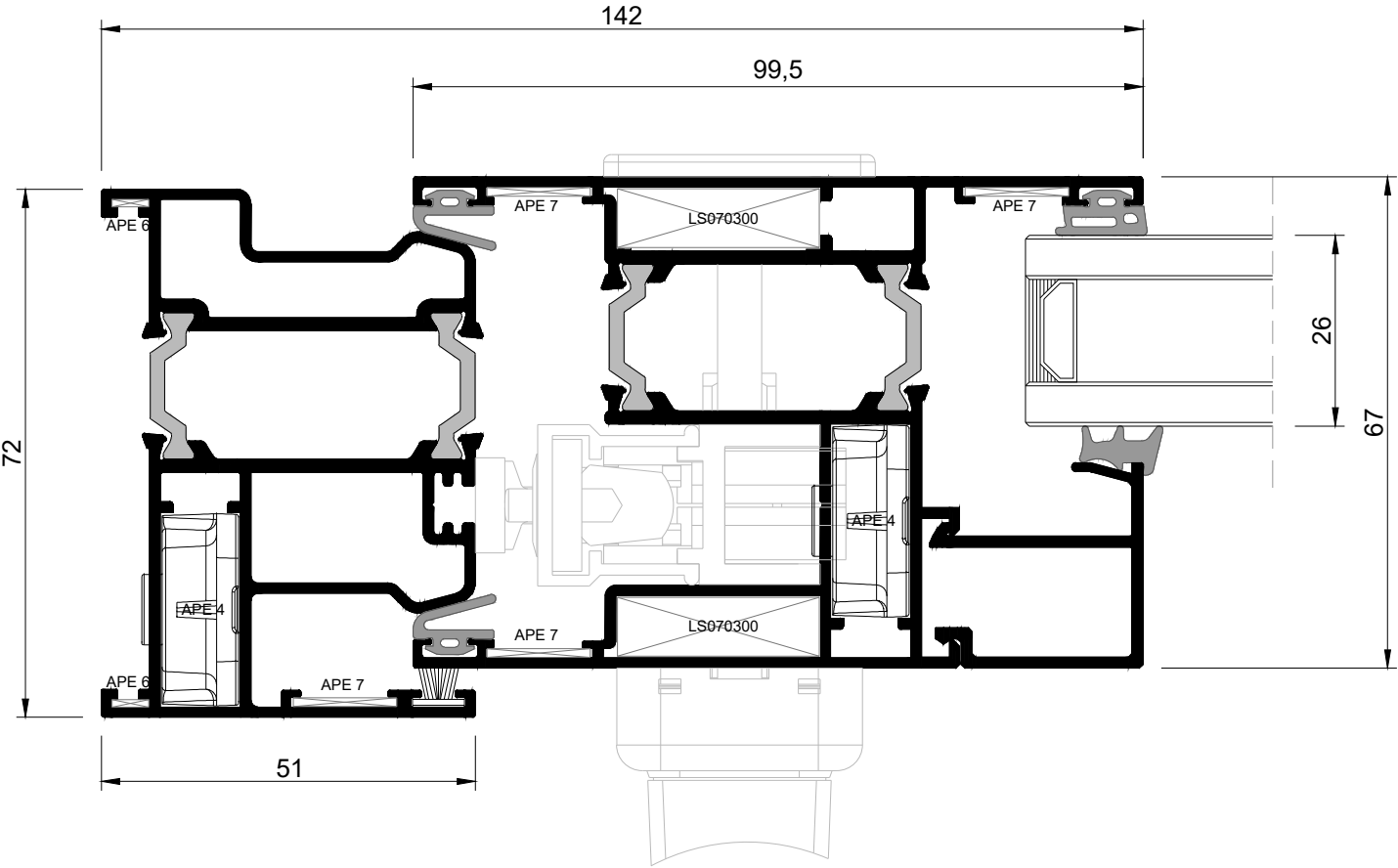
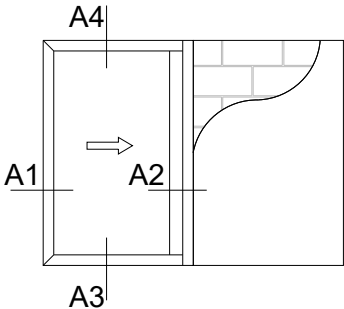
③



④

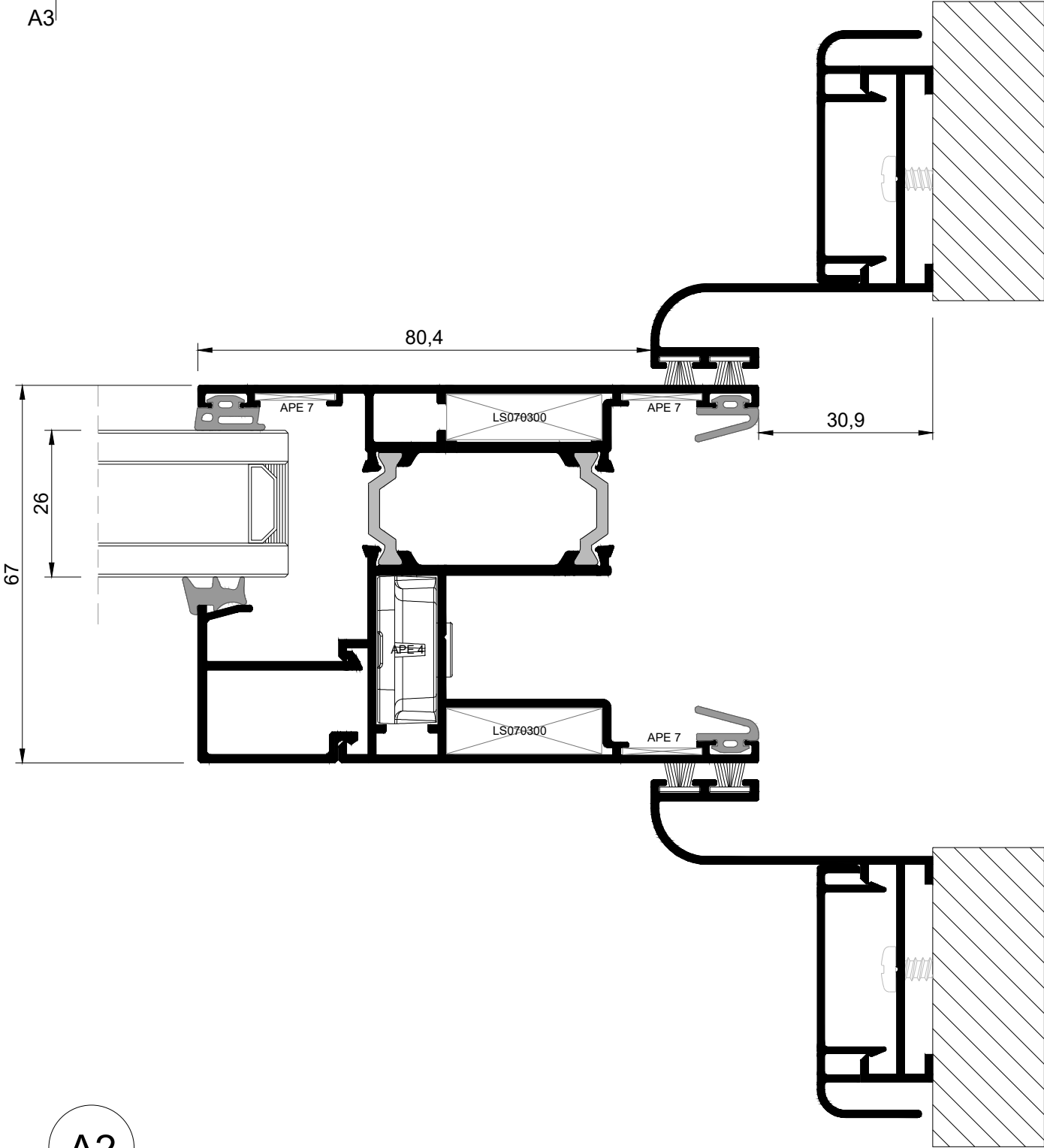
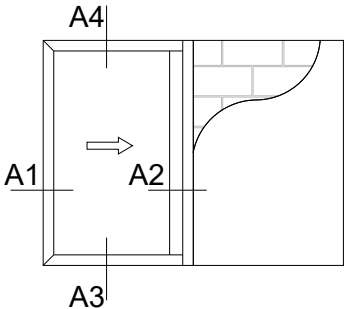


SECTIONS



A1

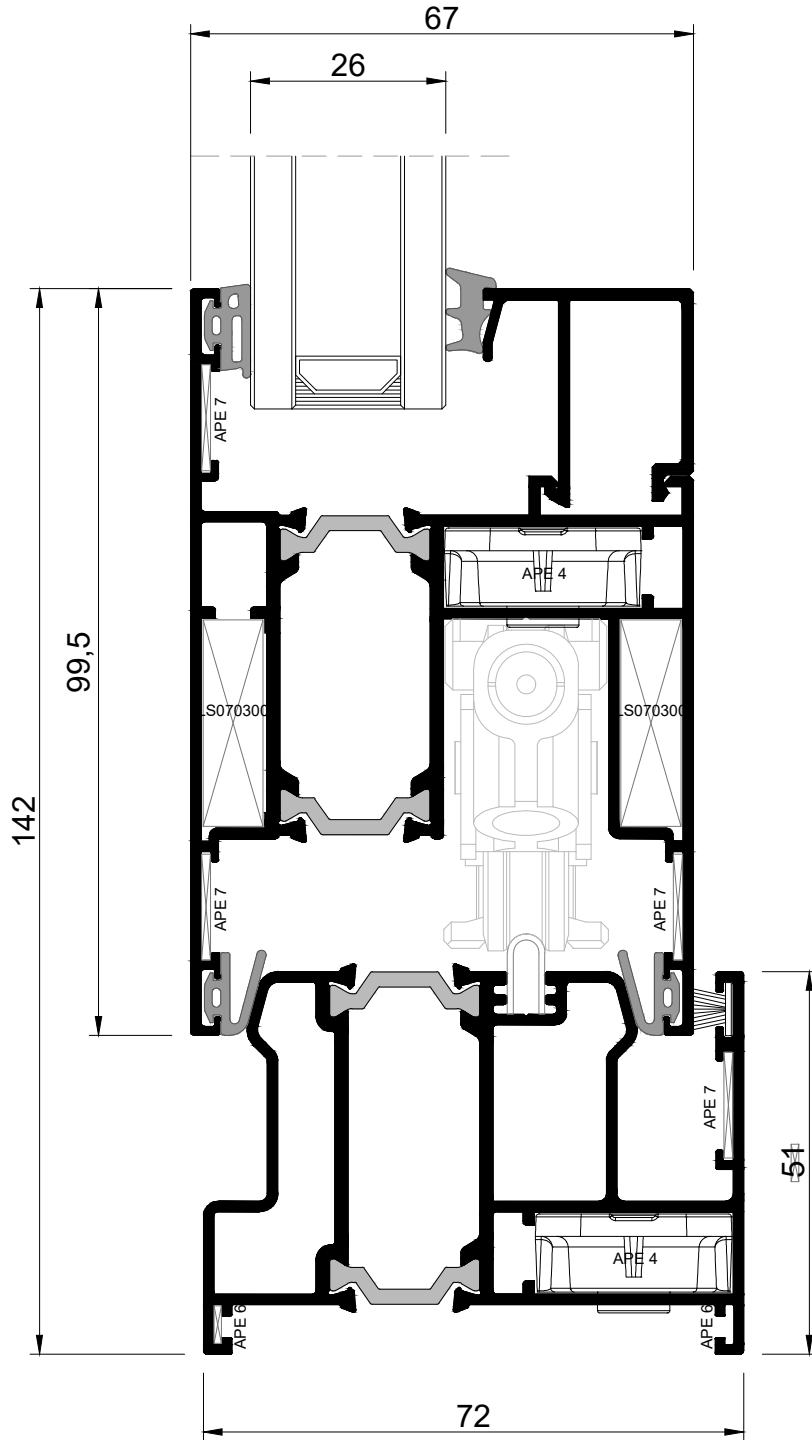
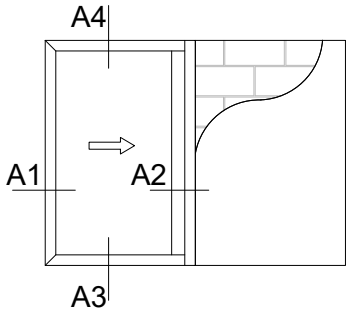
SECTIONS



A2

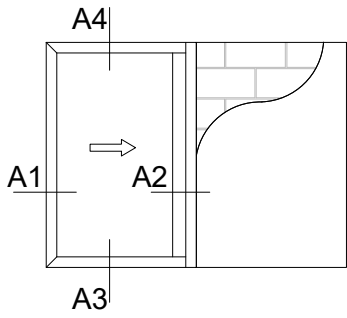
SECTIONS

EPDM gasket for glazing US115100



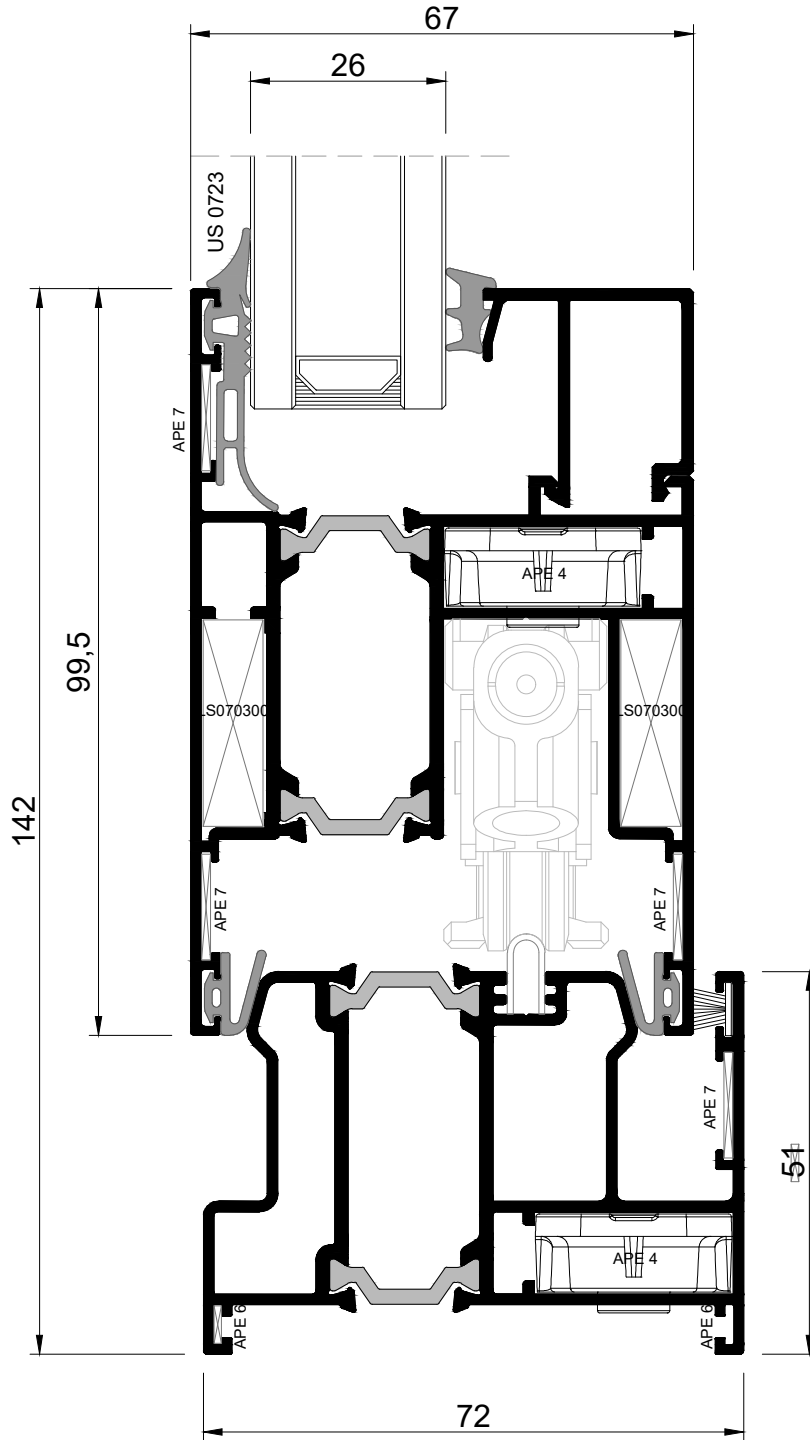
A3-1

Sheet A4
Scale 1:1



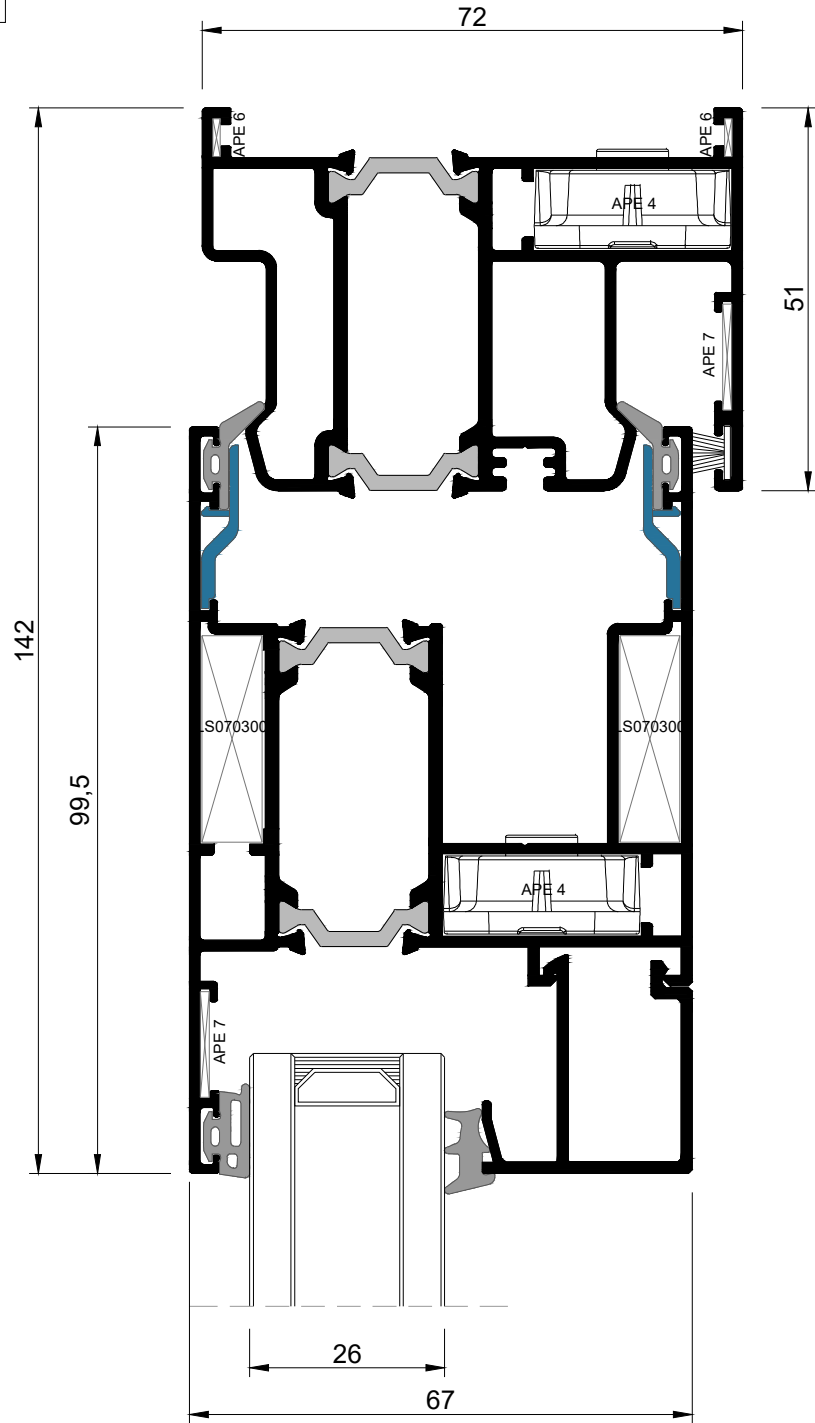
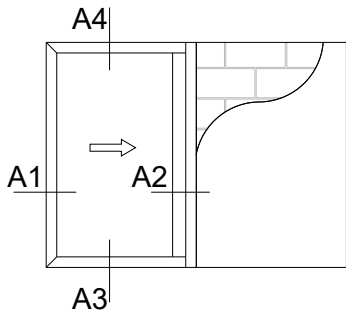
SECTIONS

EPDM gasket for glazing US0723
alternative for gasket US115100



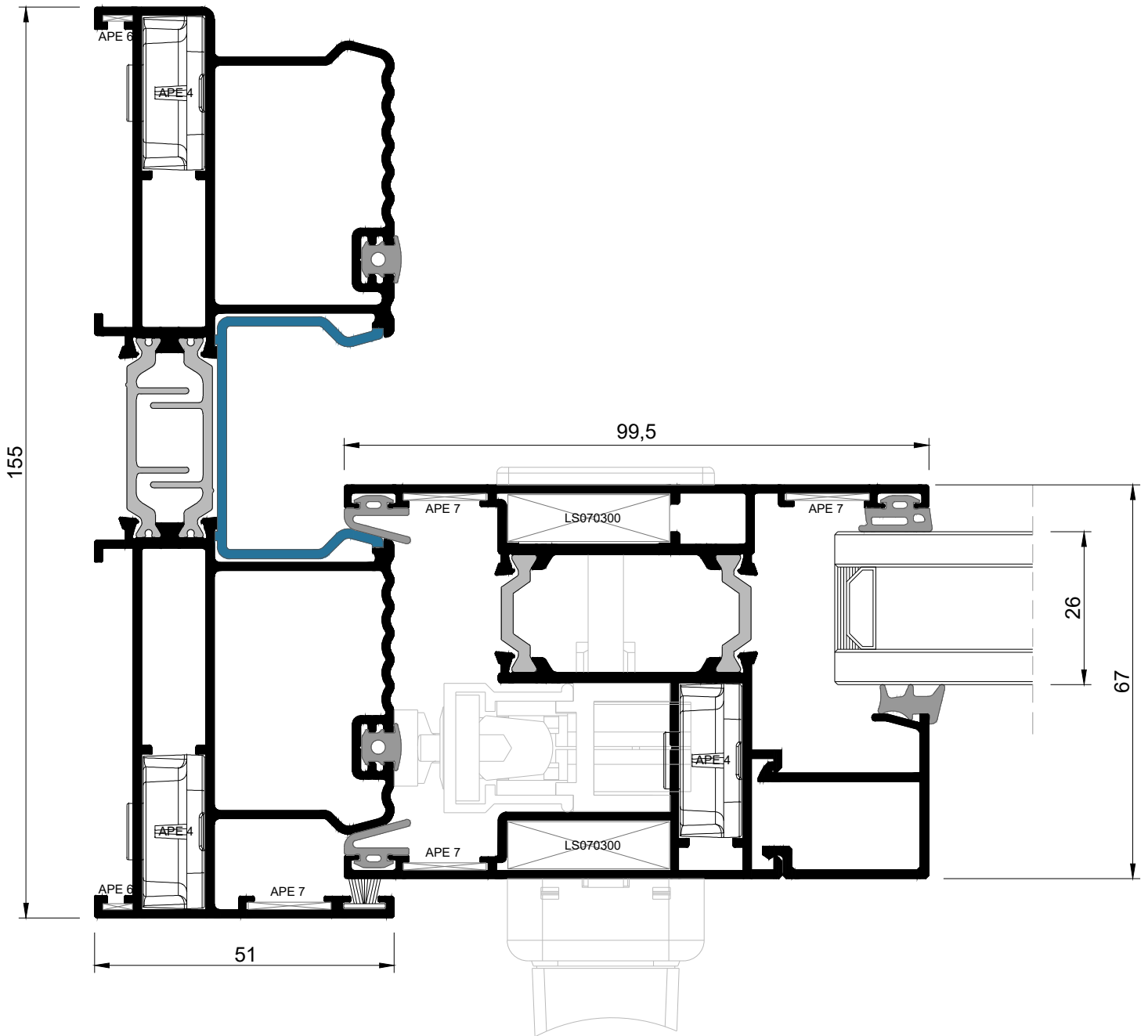
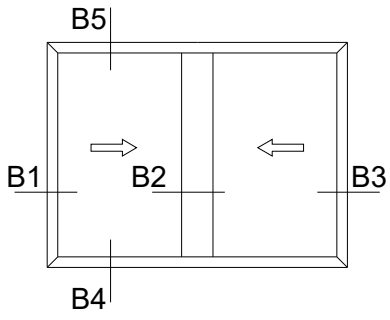
A3-2

SECTIONS



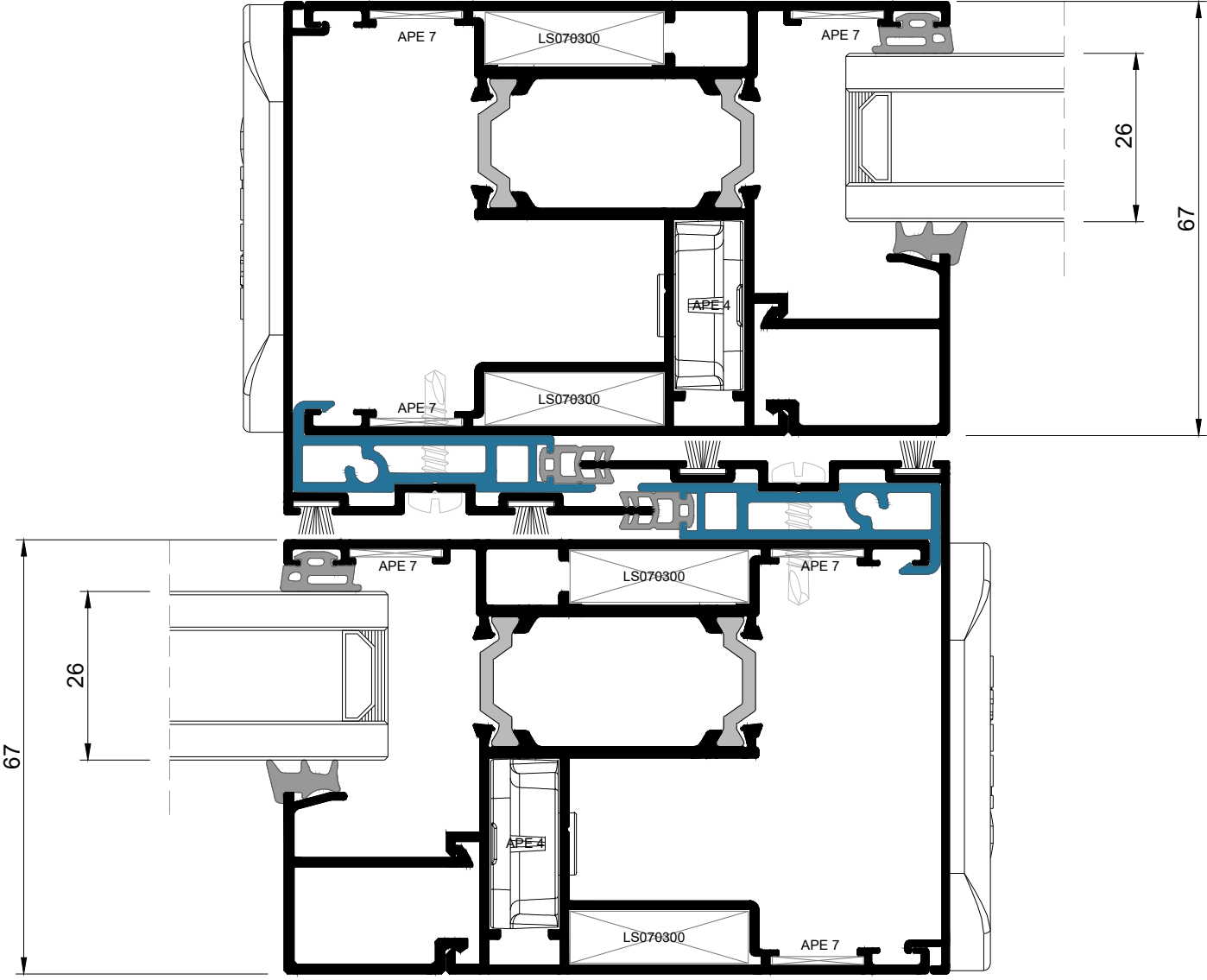
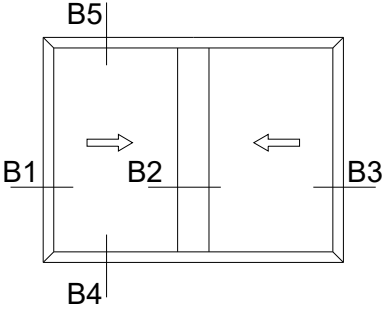
A4

SECTIONS



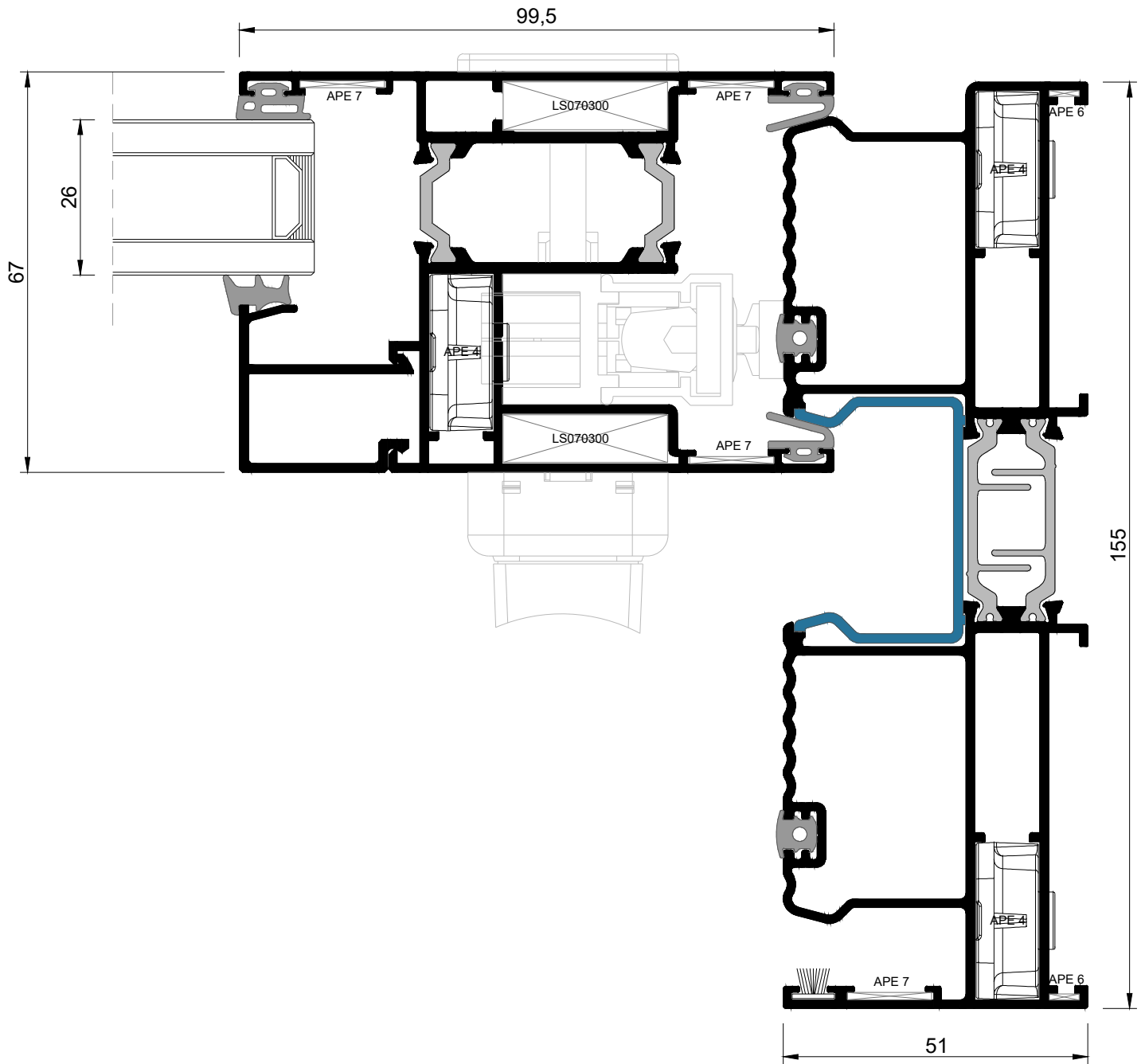
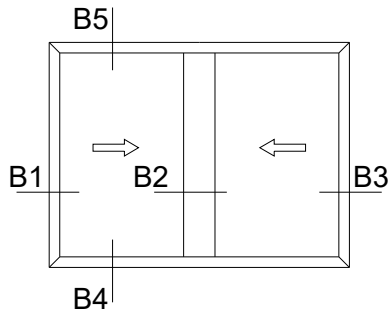
B1

SECTIONS



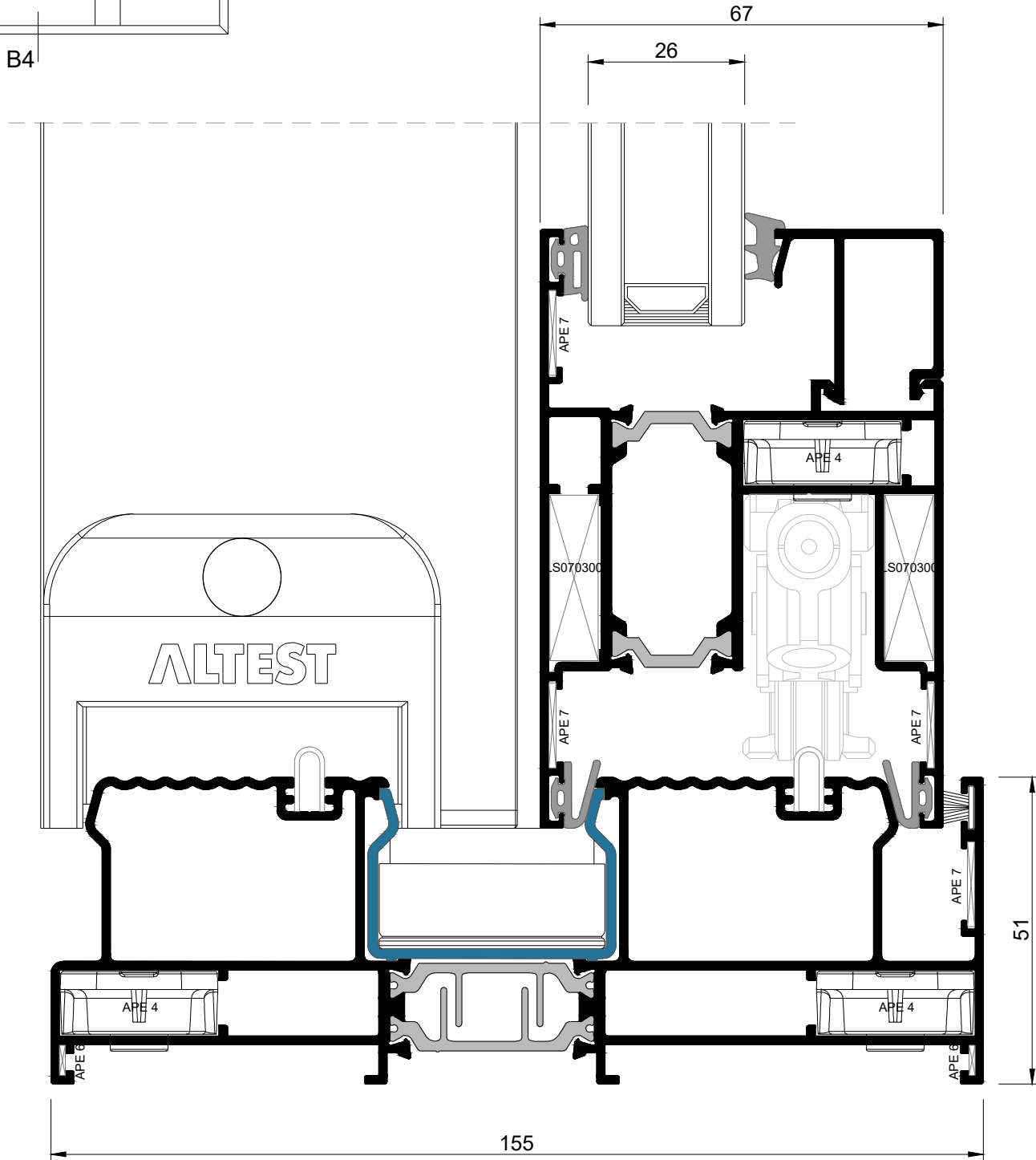
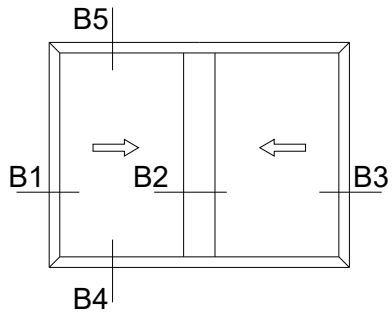
B2

SECTIONS



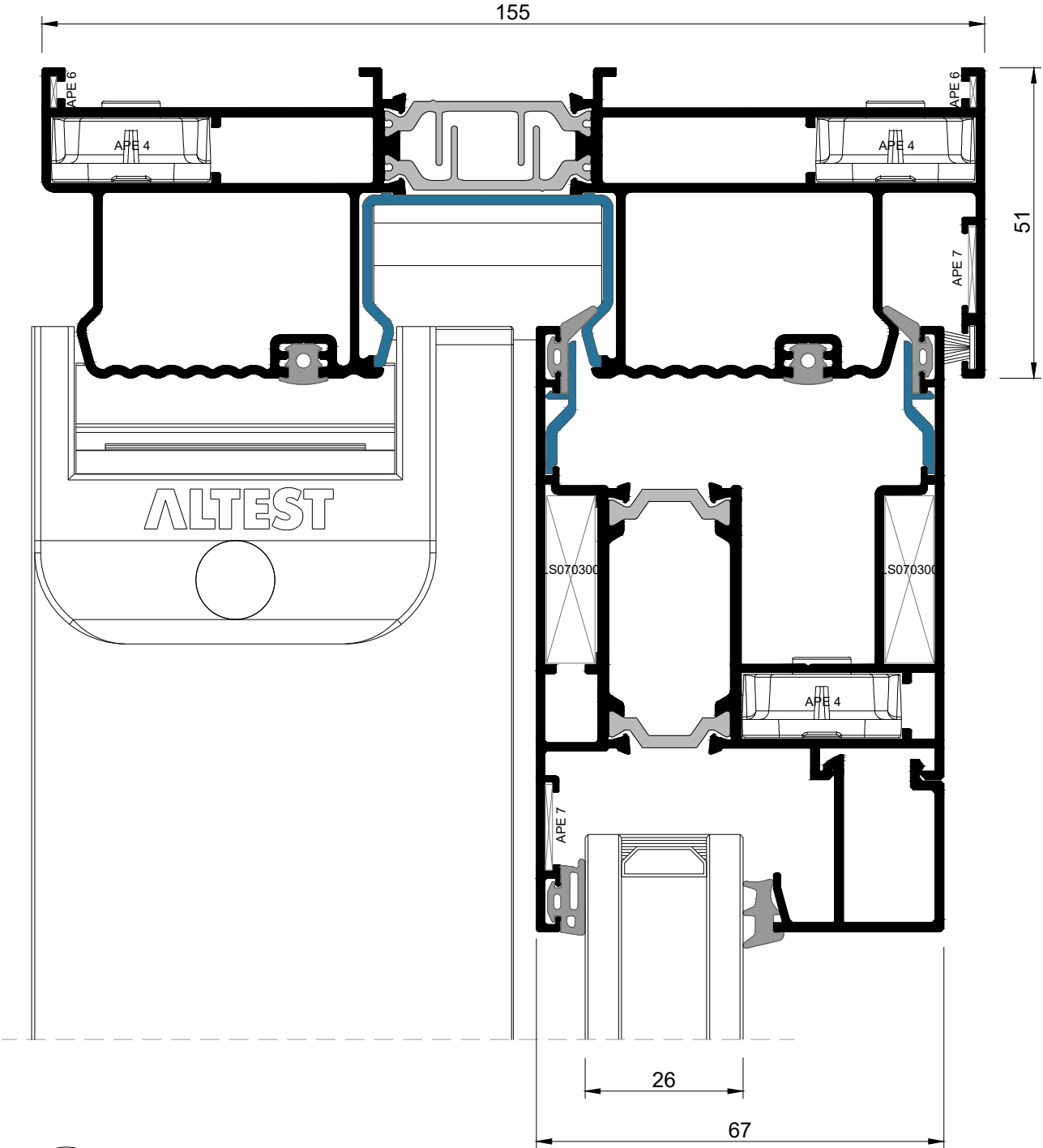
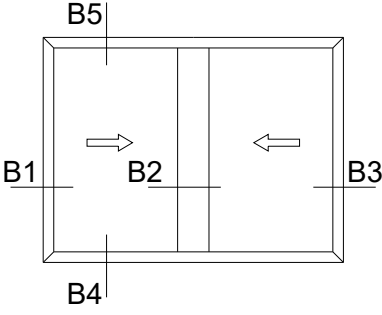
B3

SECTIONS



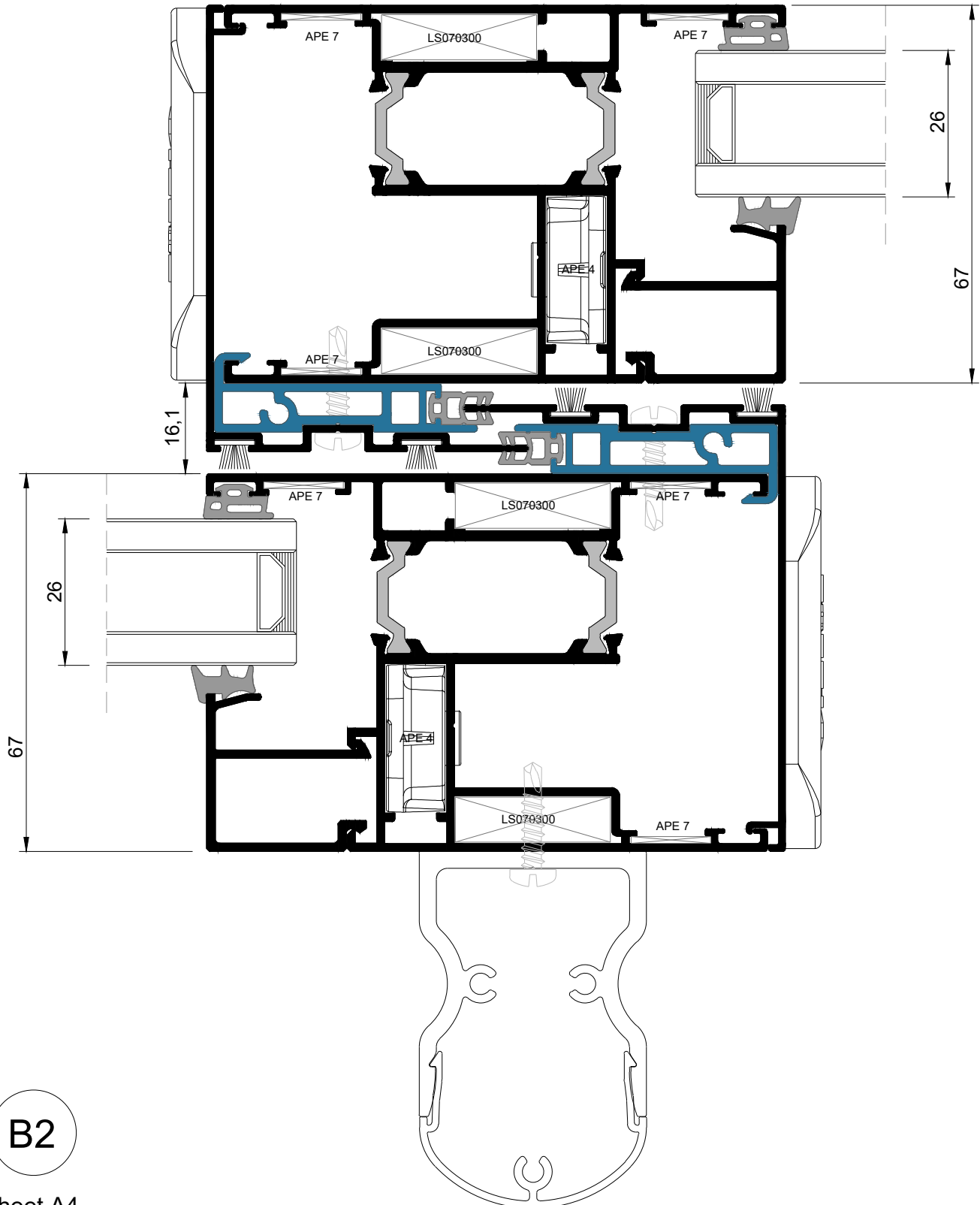
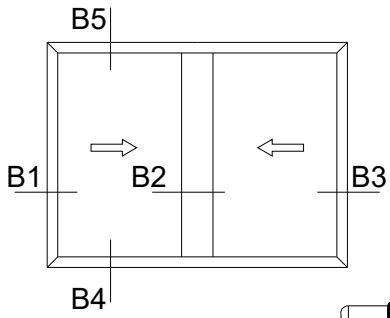
B4

SECTIONS



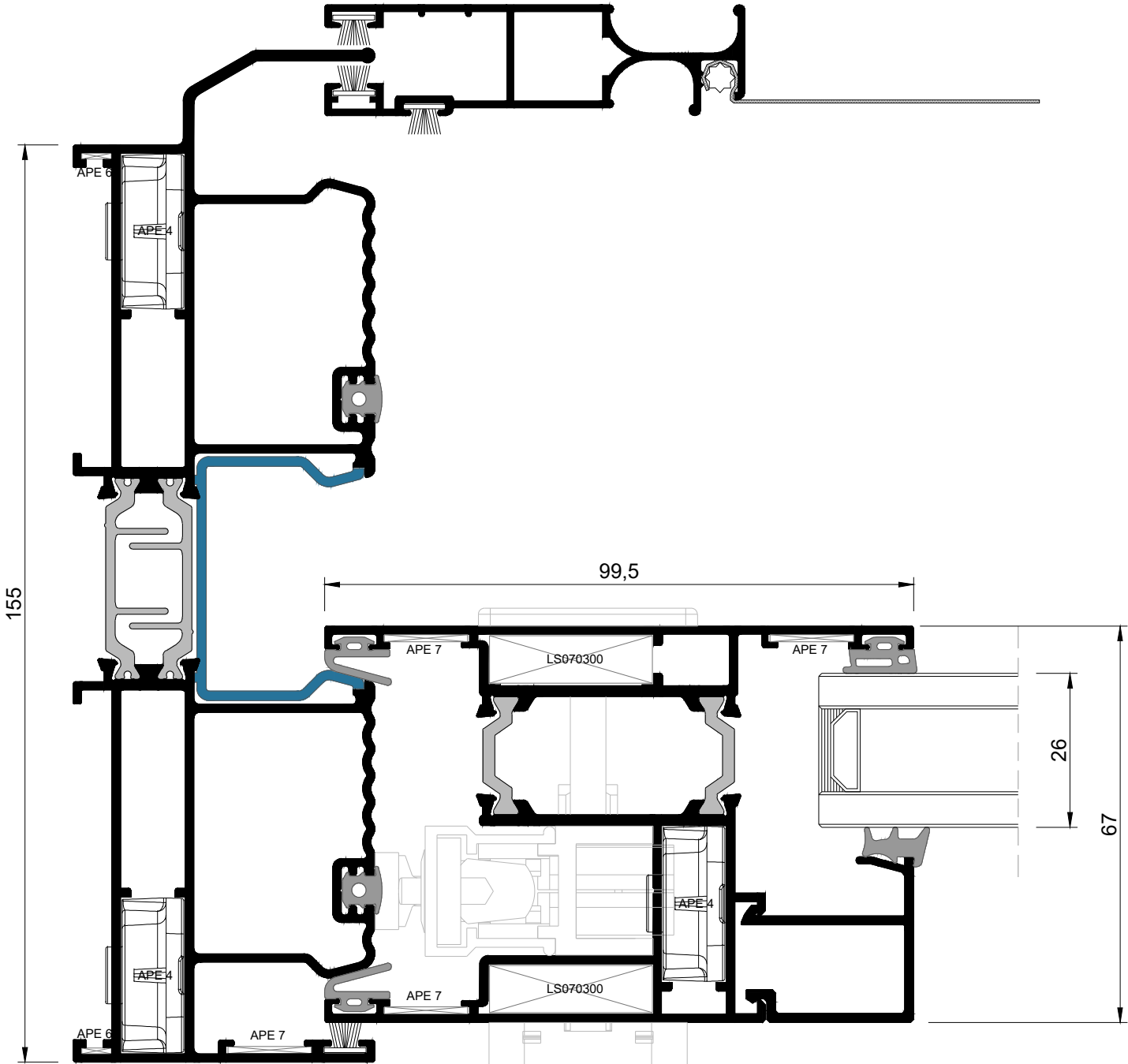
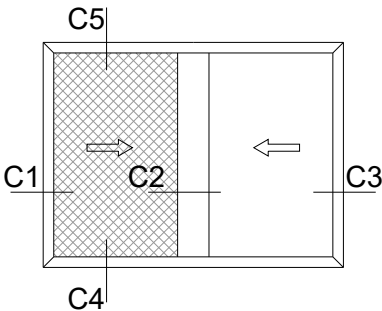
B5

SECTIONS
OPTION WITH A
REINFORCEMENT HANDLE



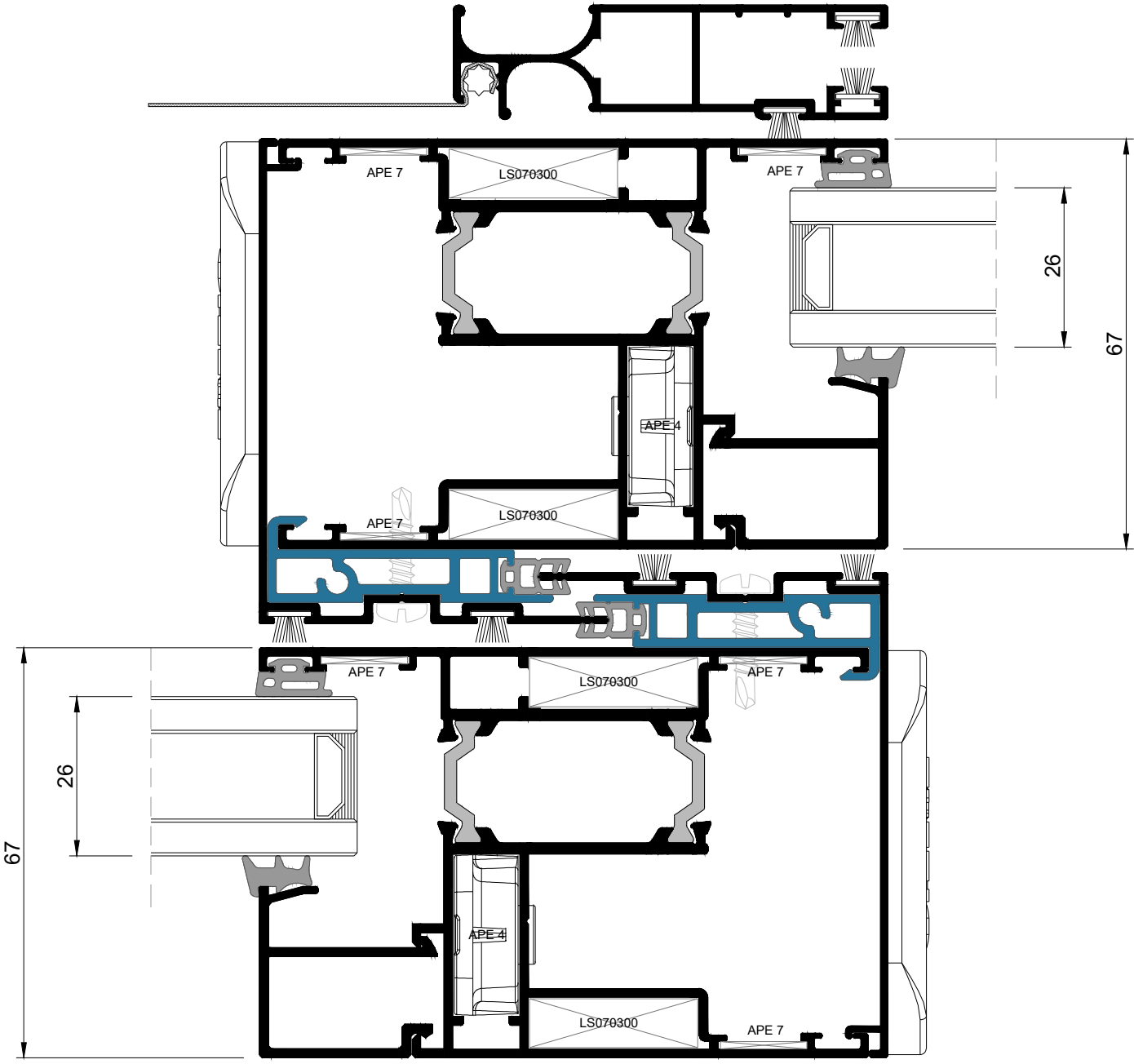
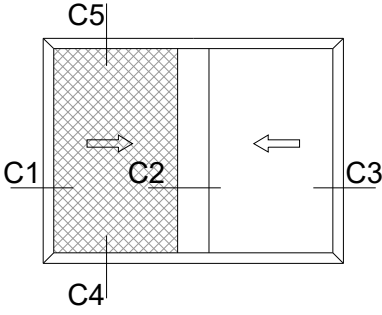
B2

SECTIONS



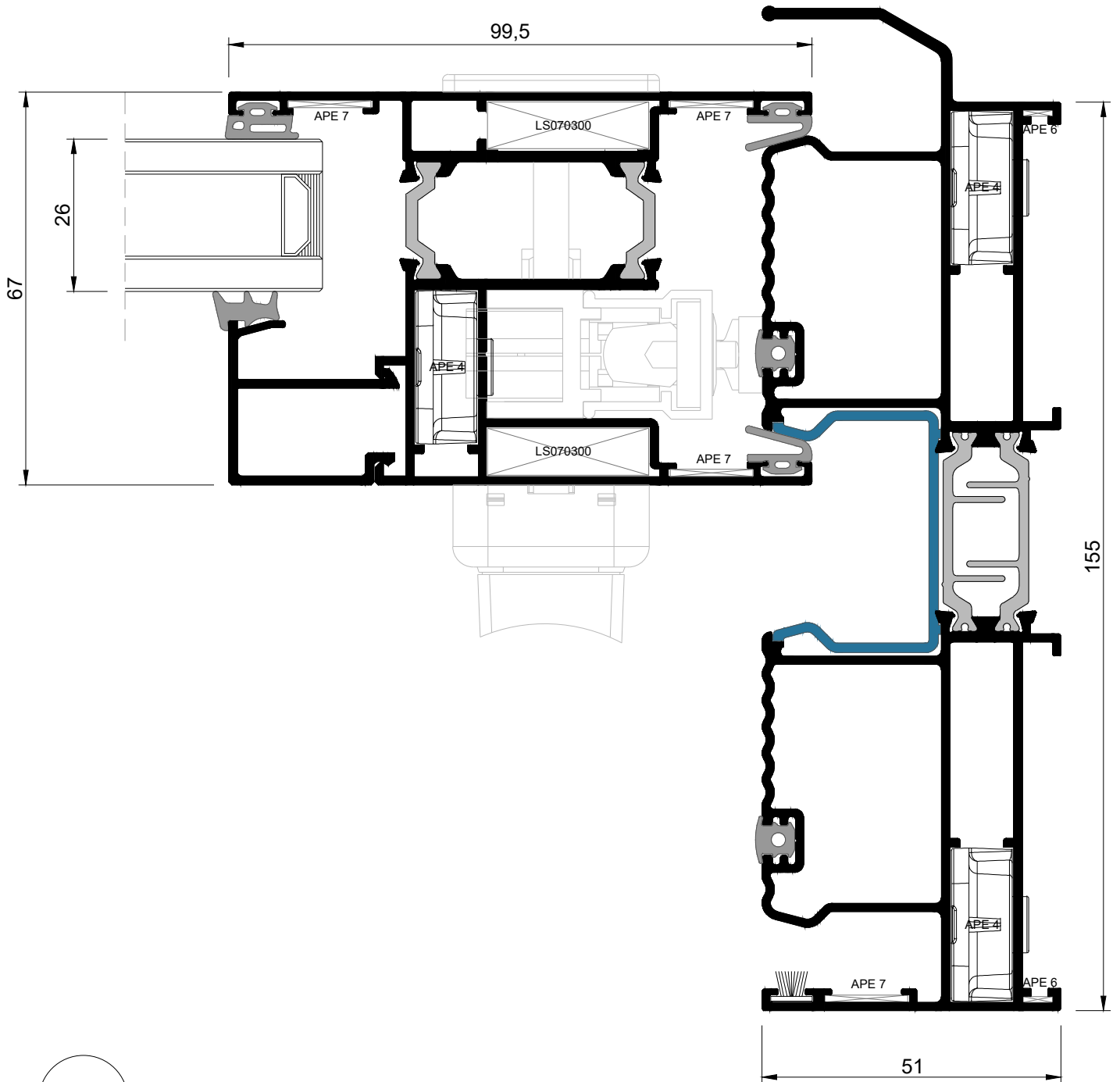
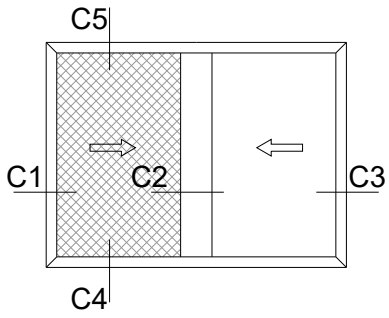
C1

SECTIONS



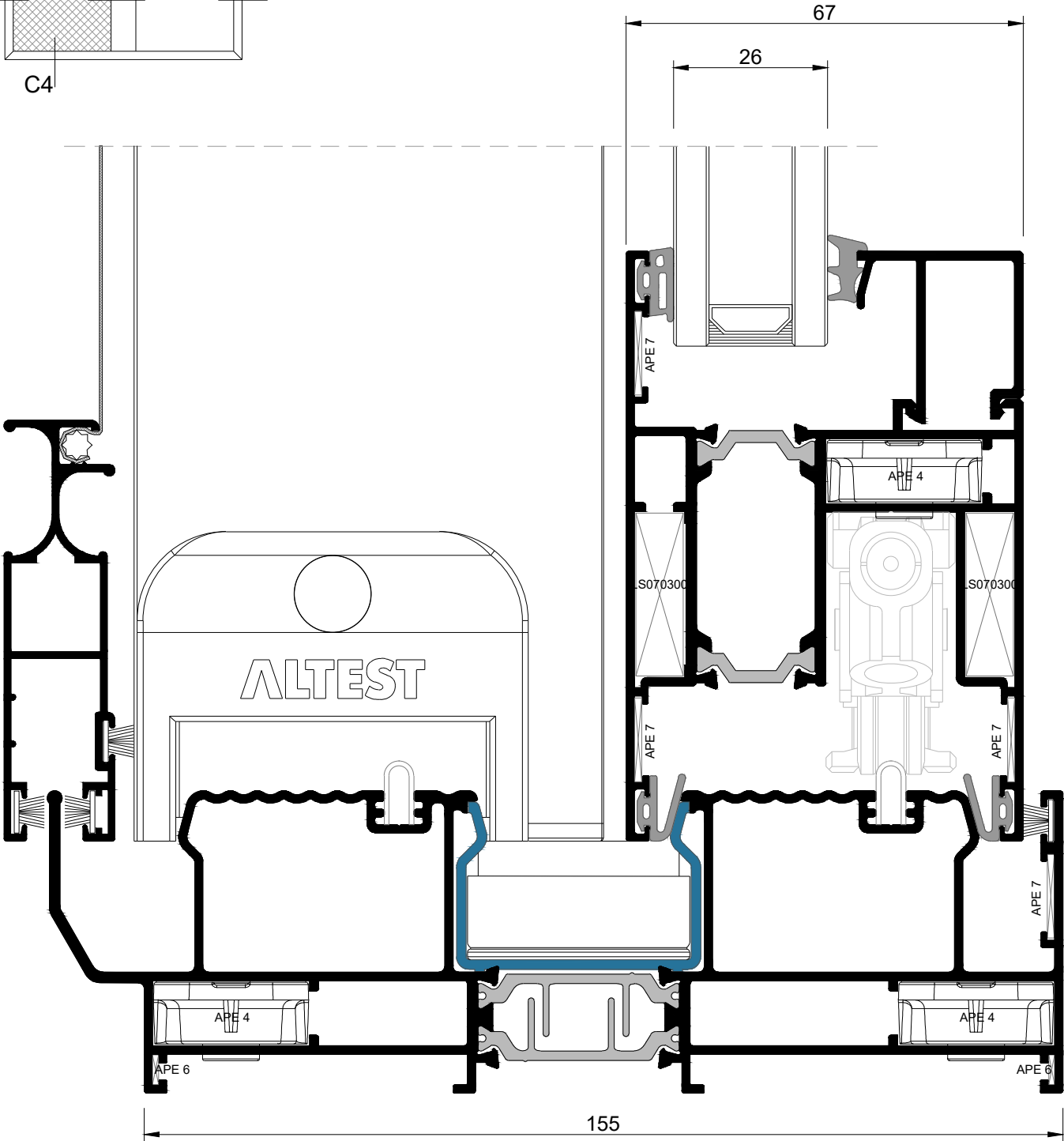
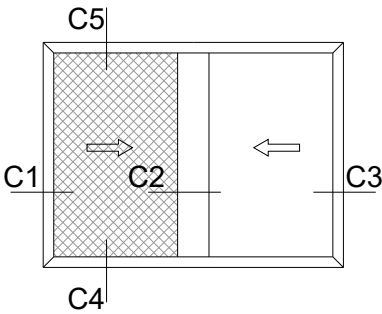
C2

SECTIONS



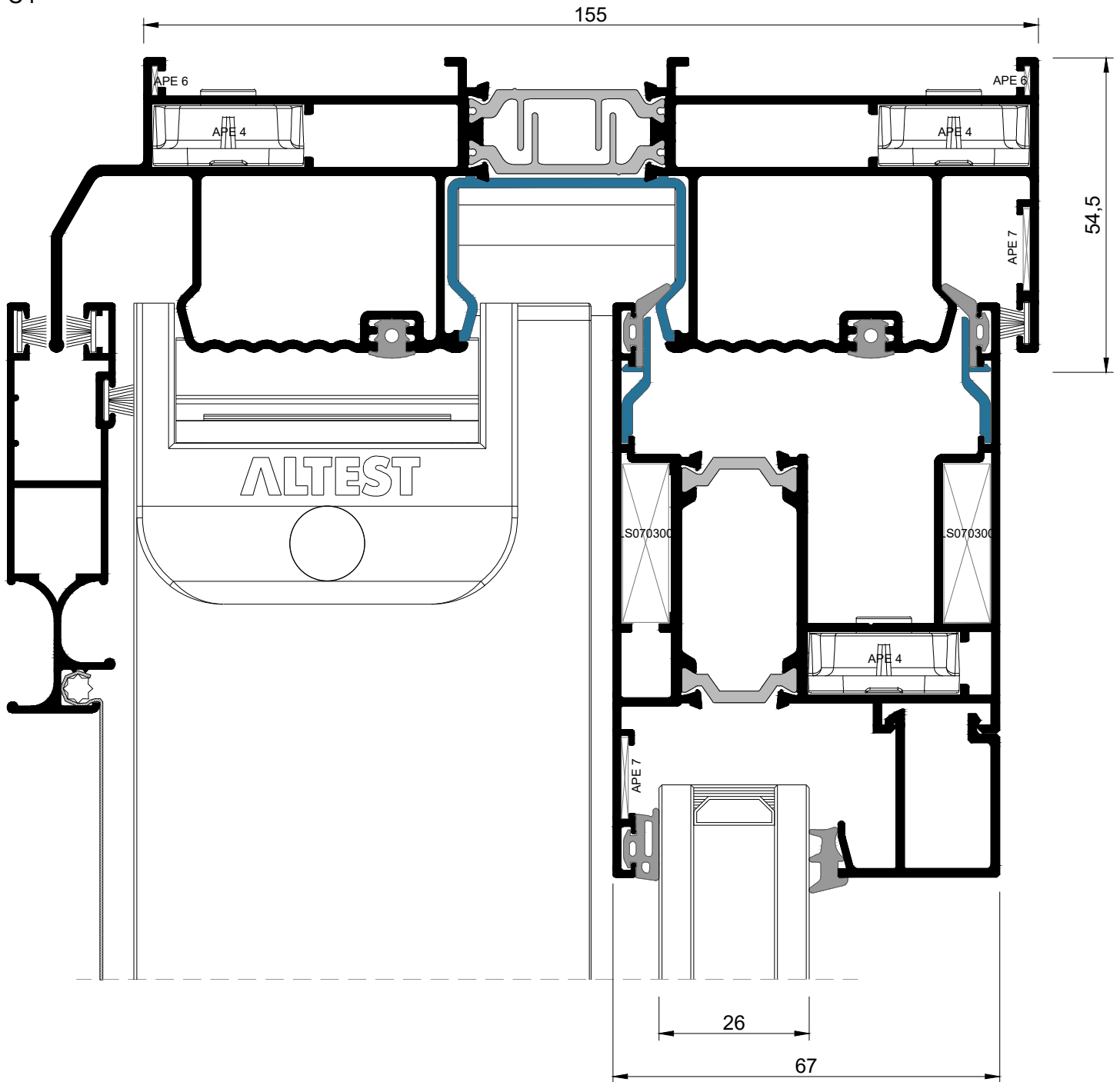
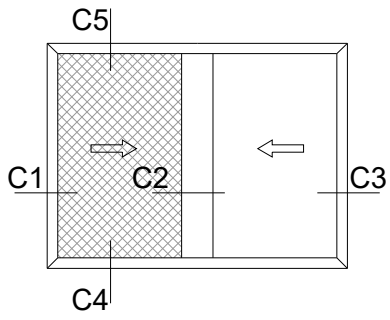
C3

SECTIONS



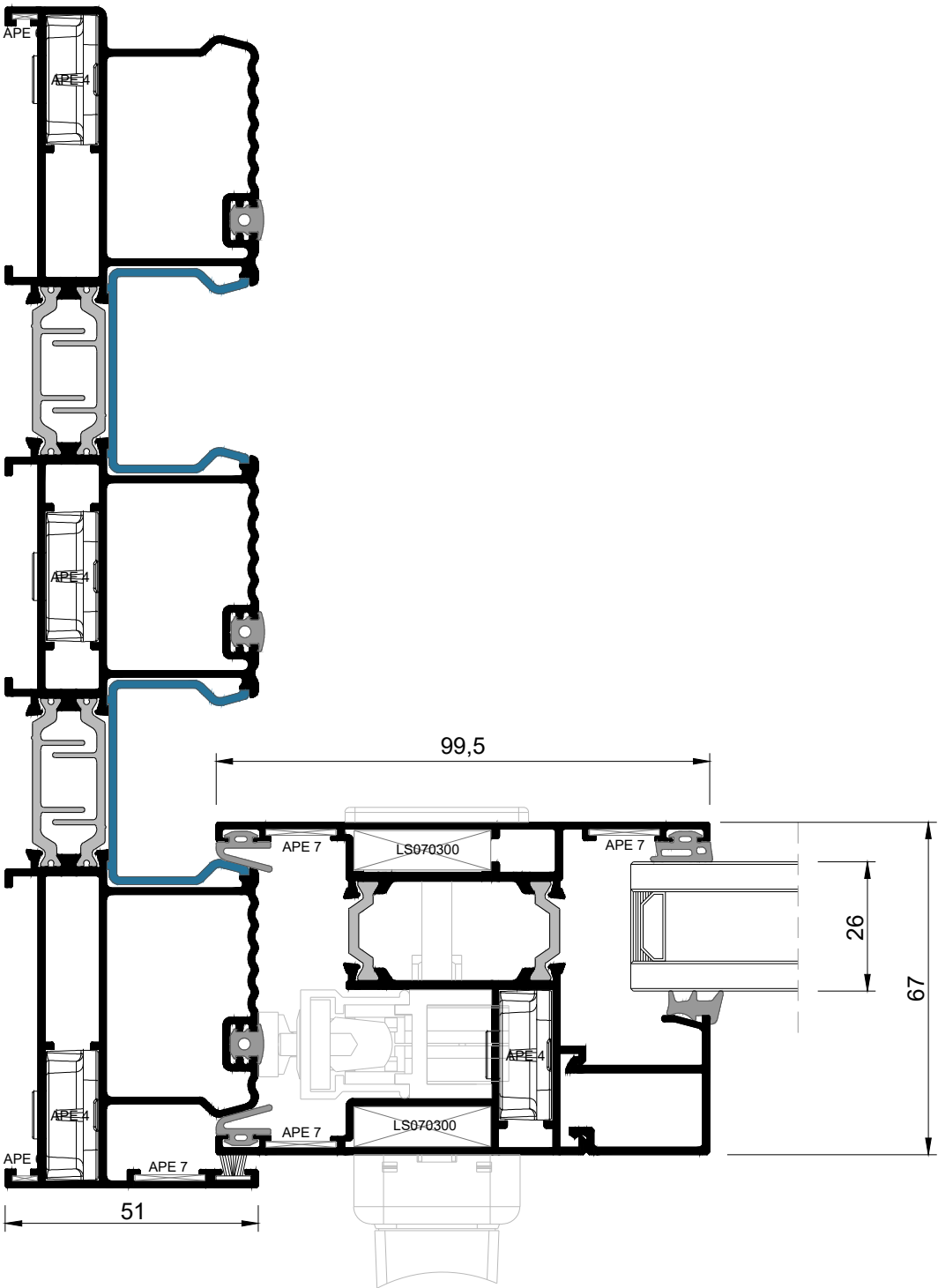
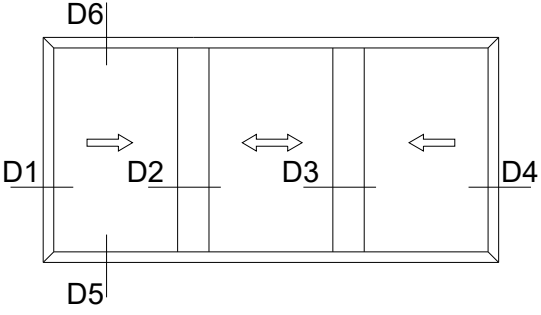
C4

SECTIONS



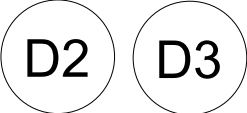
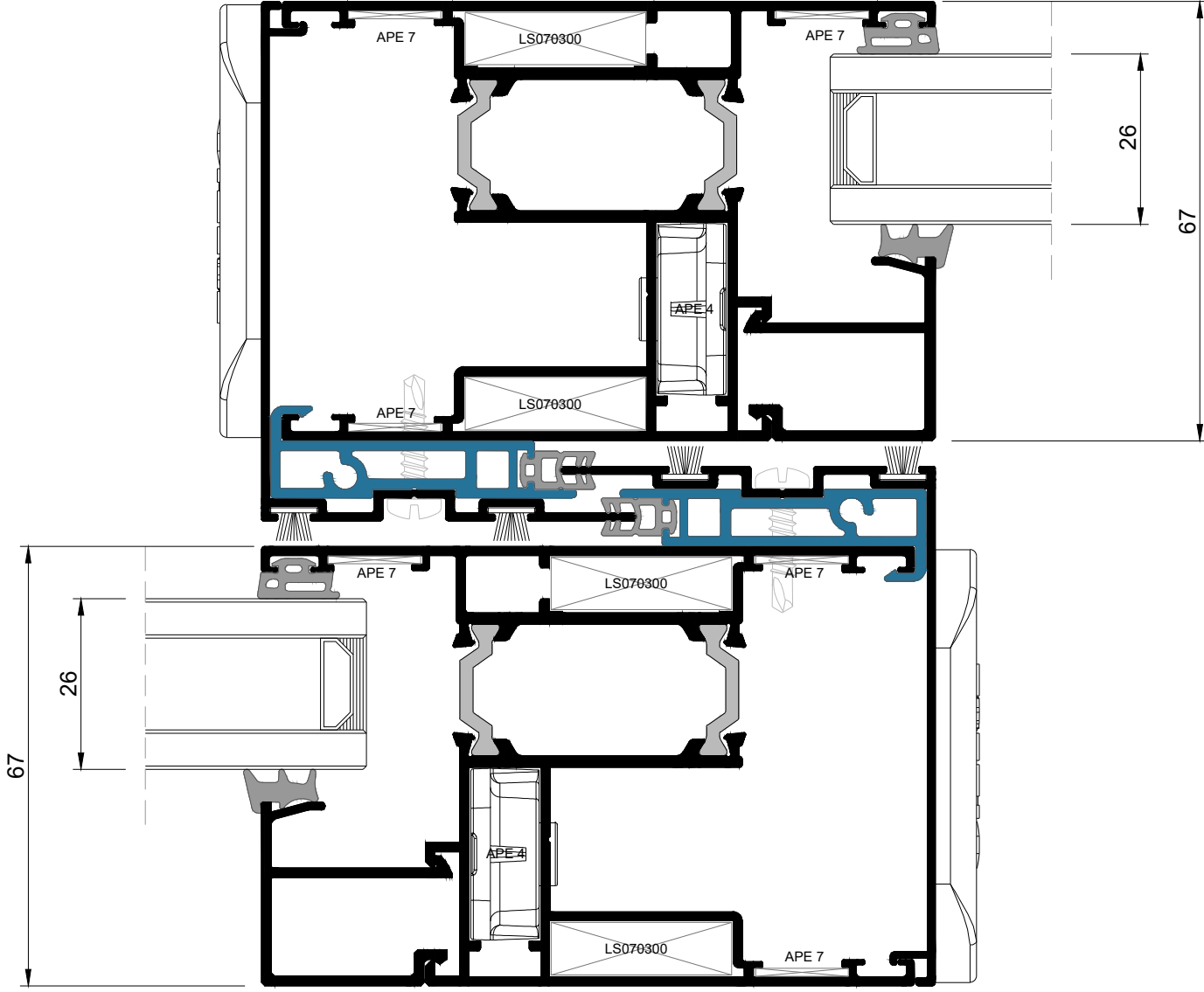
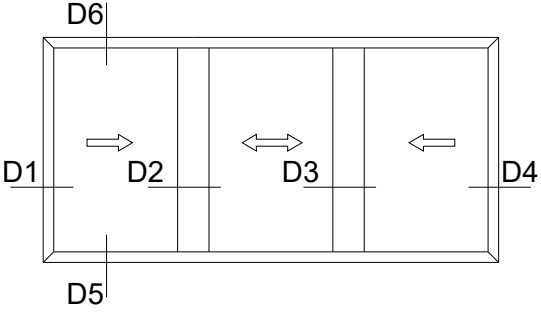
C5

SECTIONS

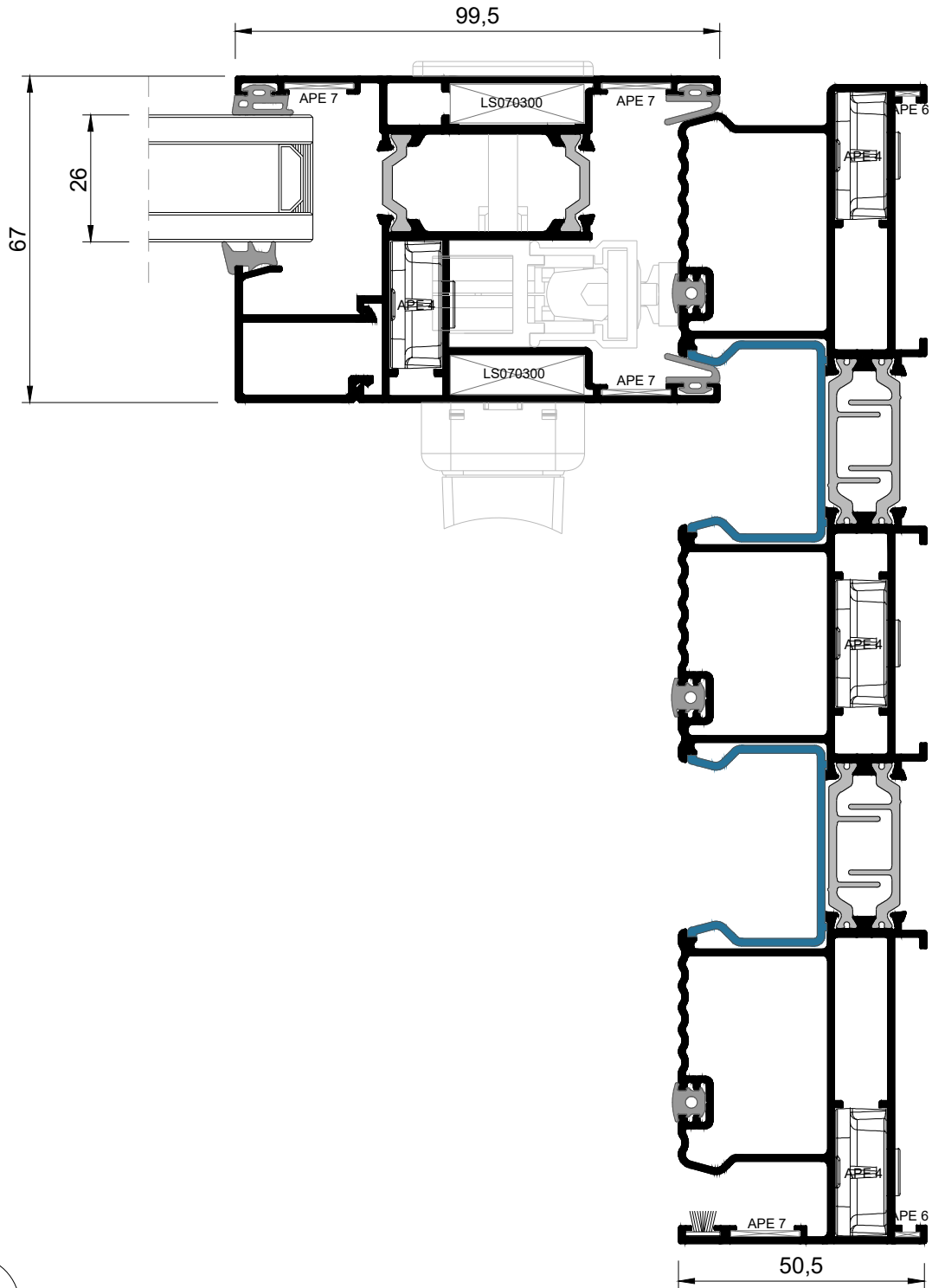
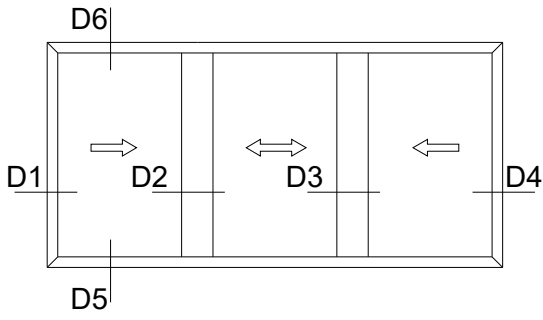


D1

SECTIONS

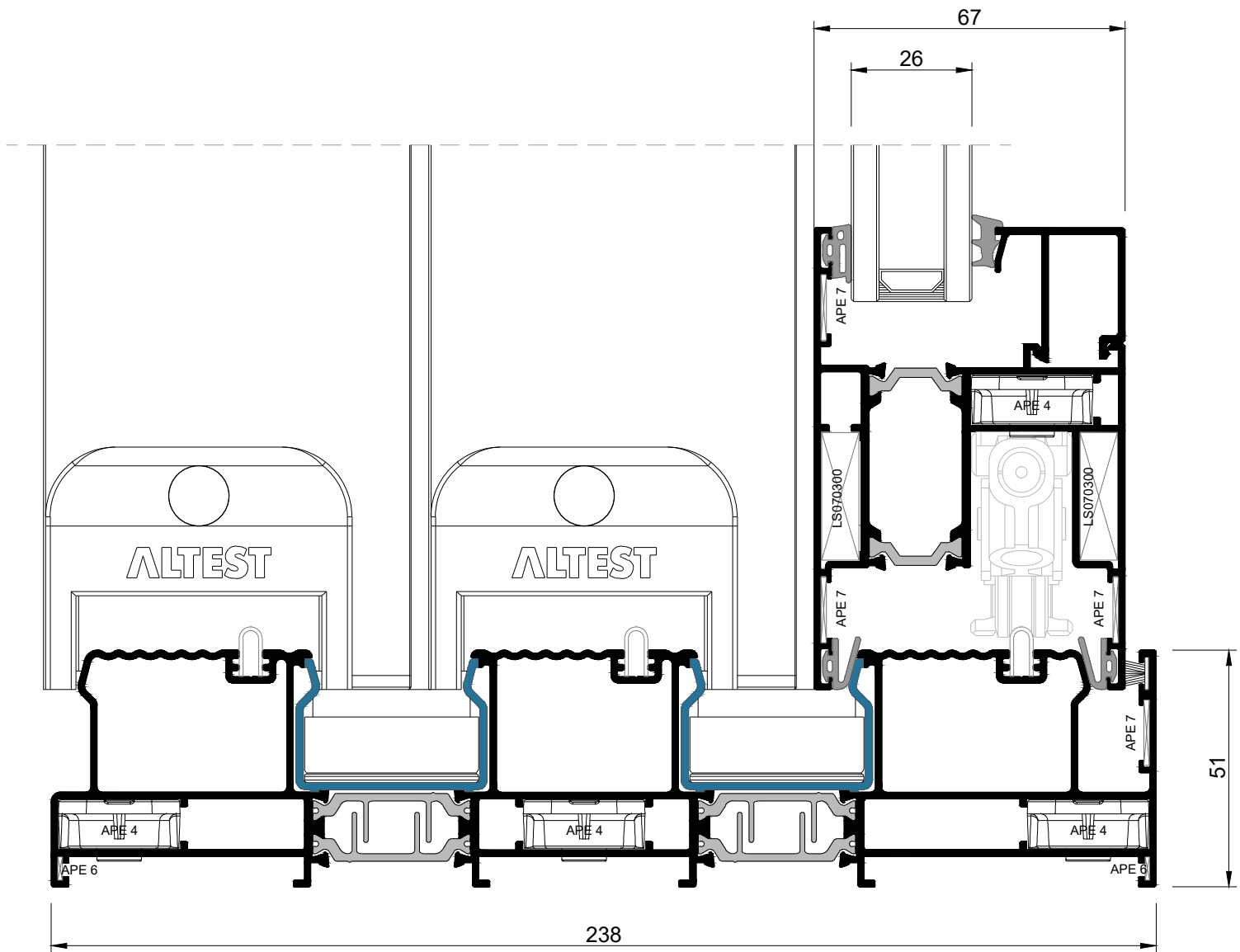
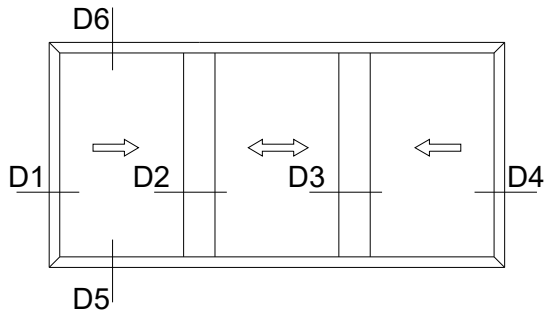


SECTIONS



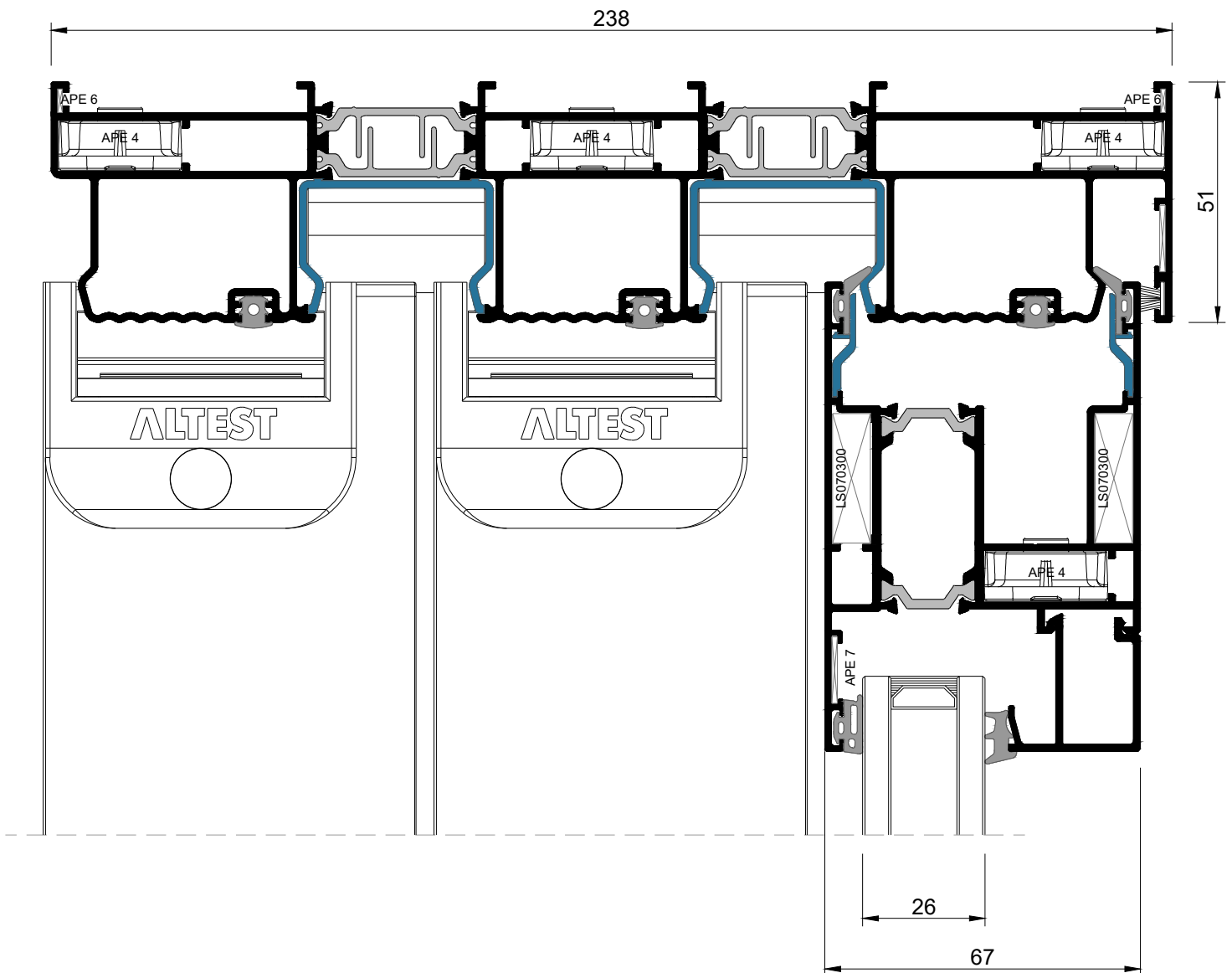
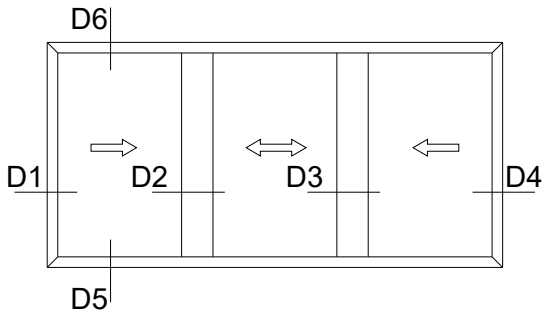
D4

SECTIONS



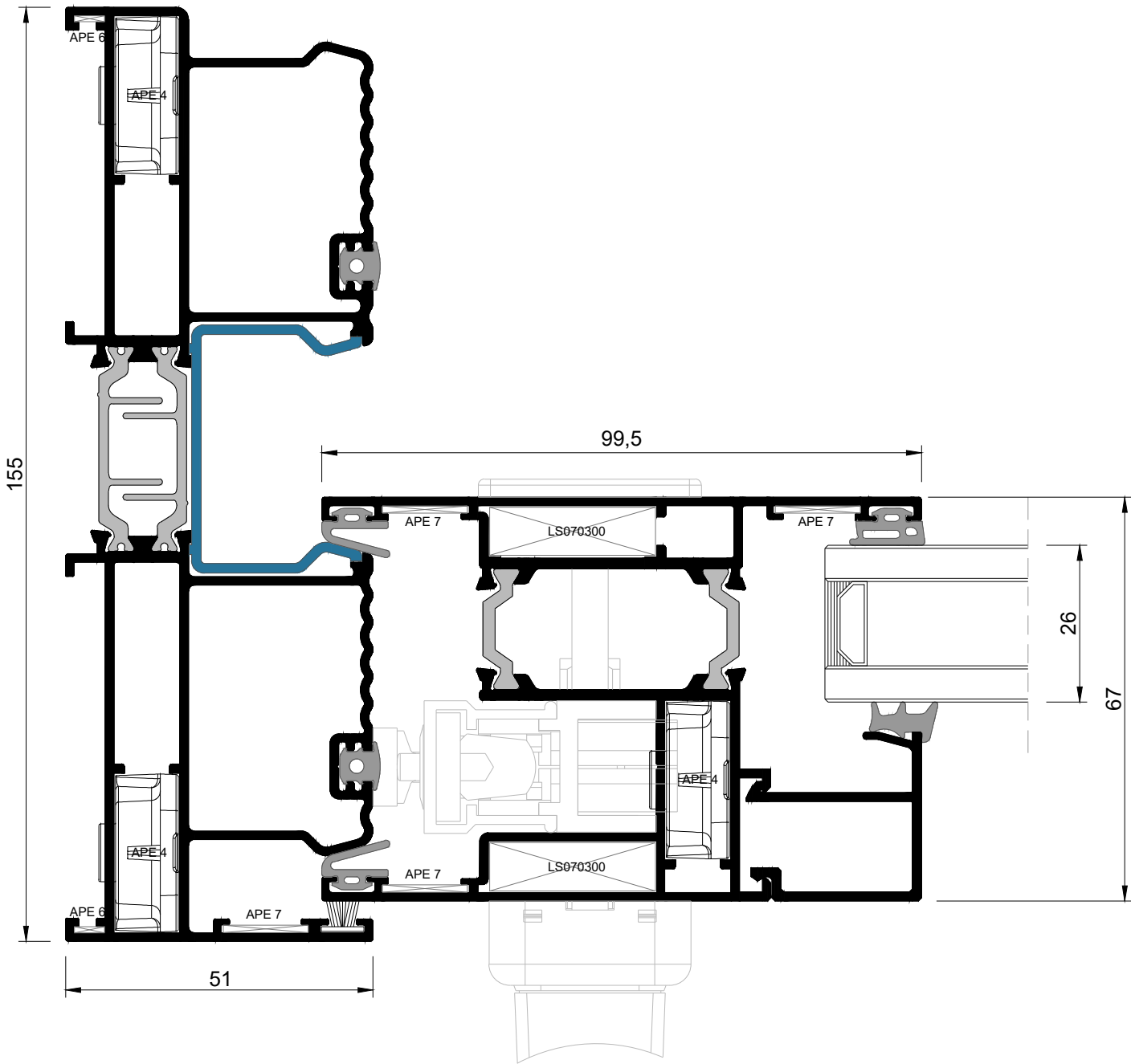
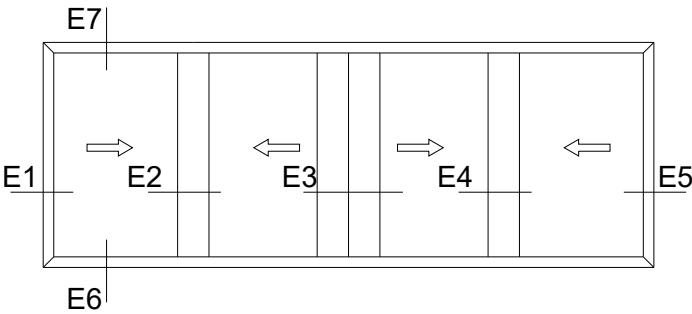
D5

SECTIONS



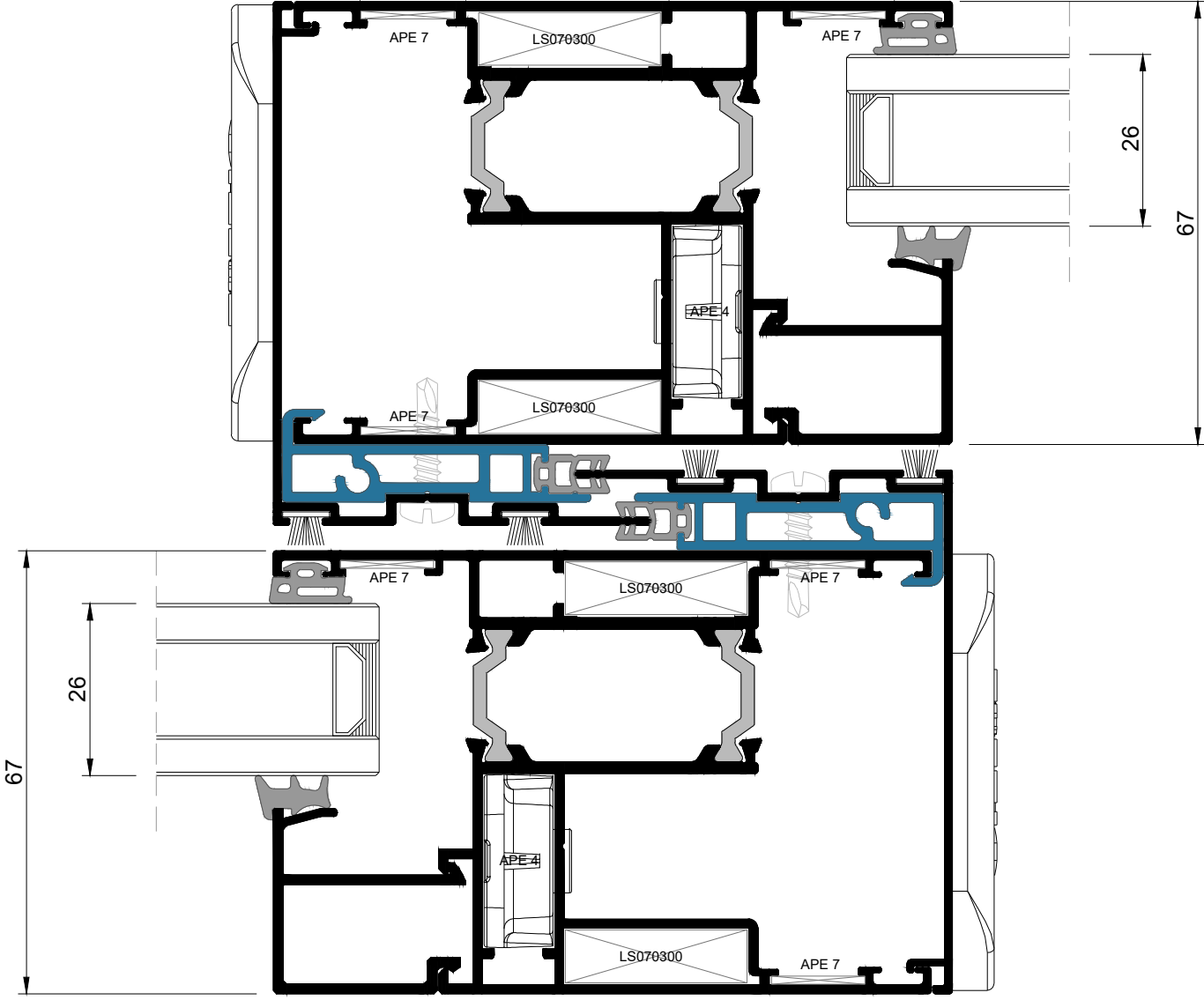
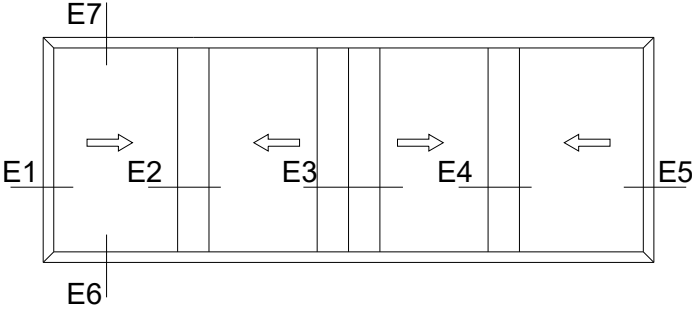
D6

SECTIONS



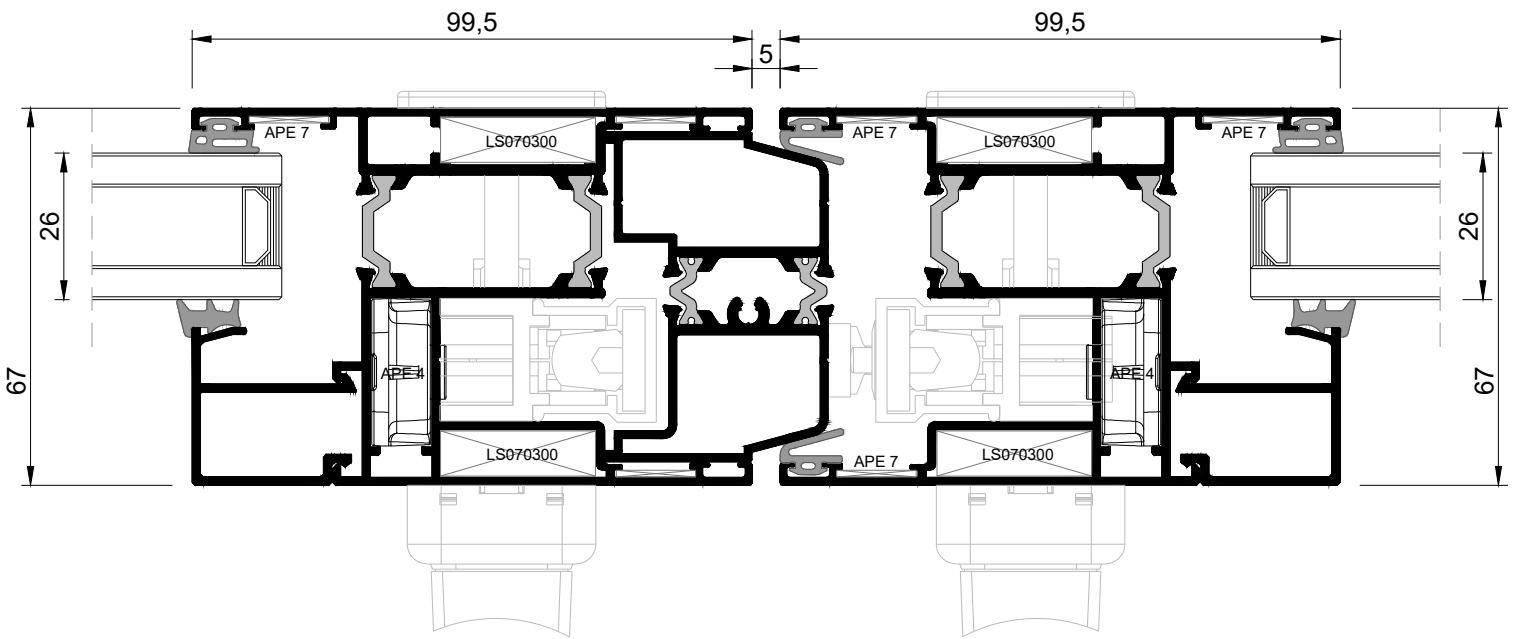
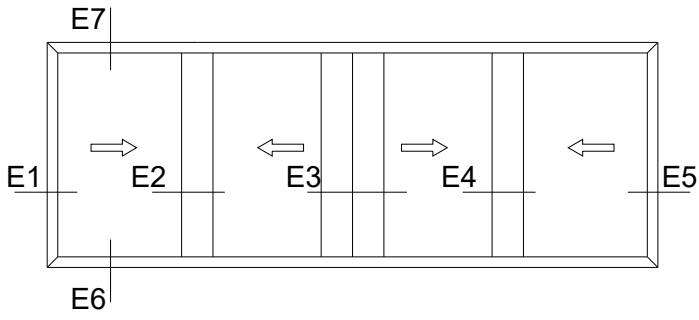
E1

SECTIONS



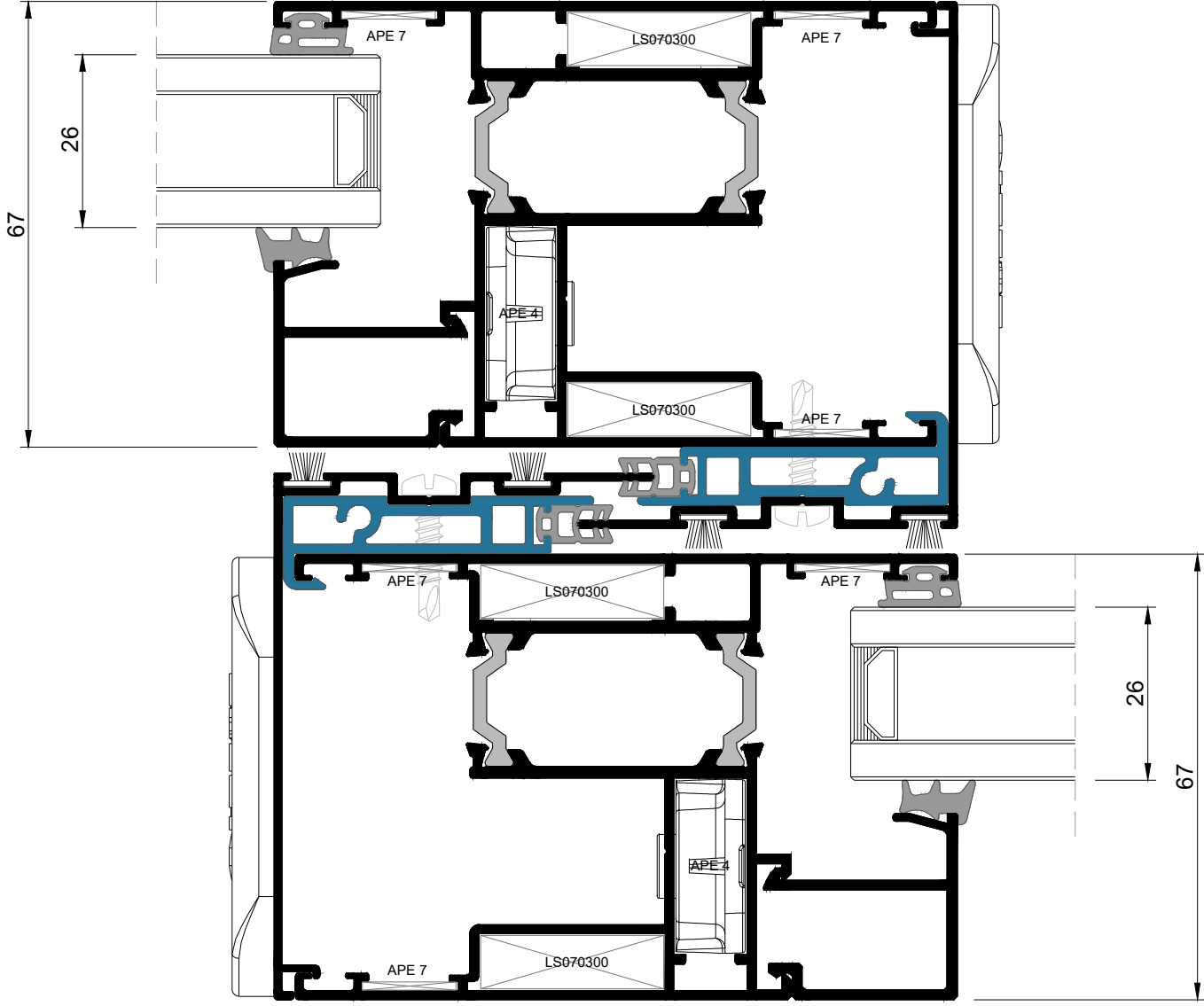
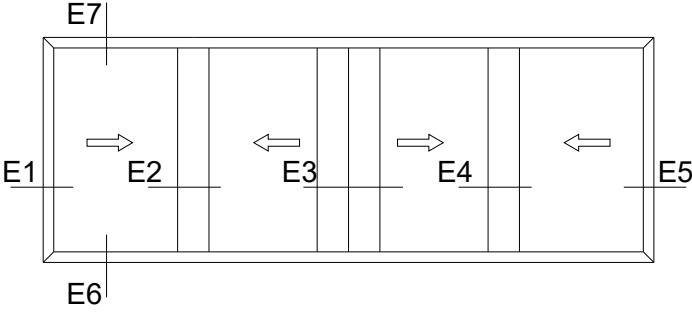
E2

SECTIONS



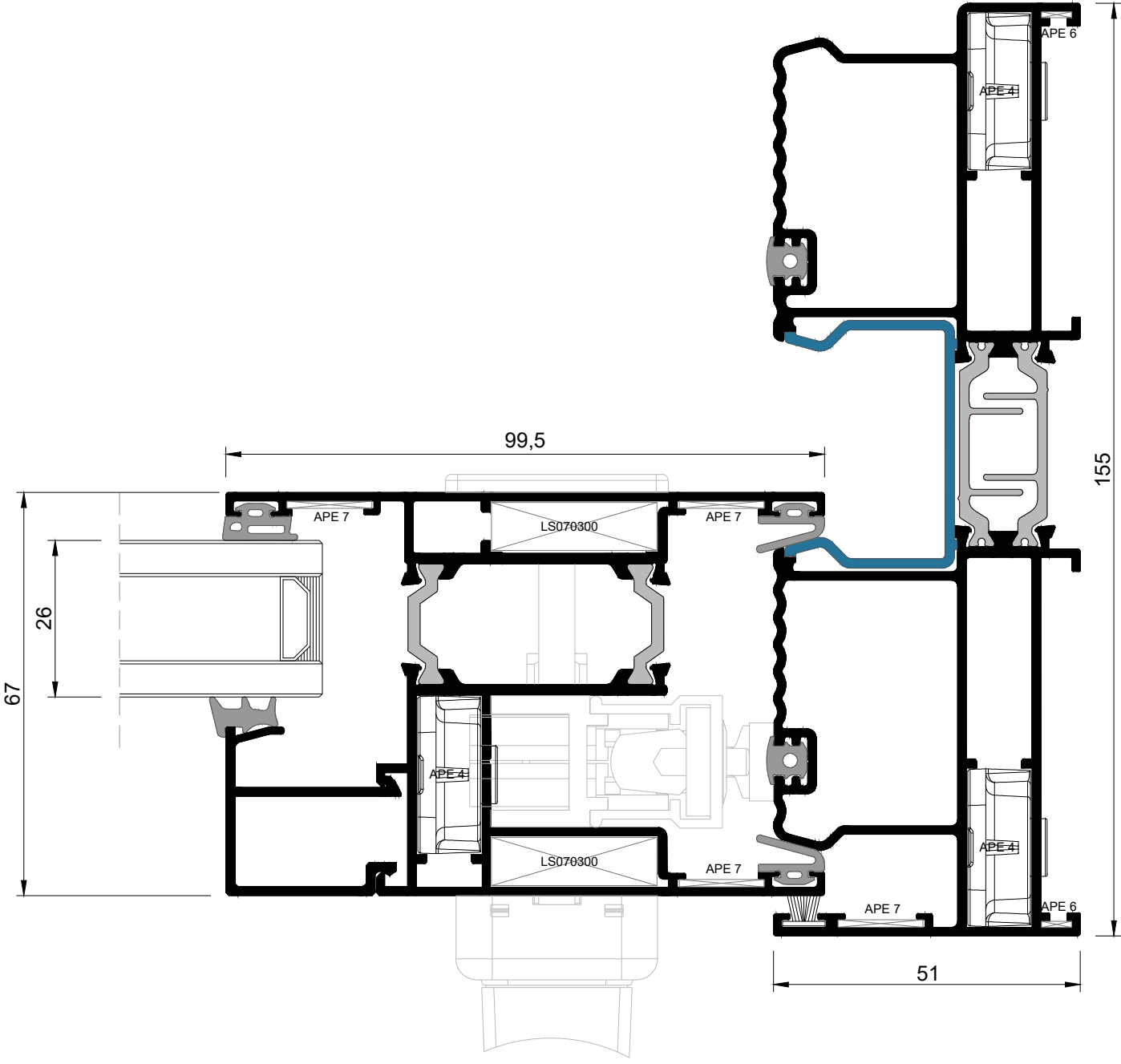
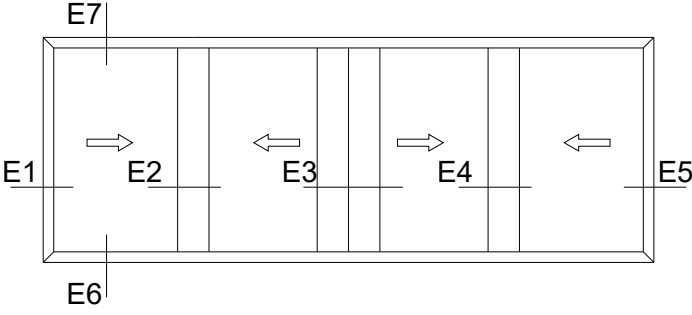
E3

SECTIONS



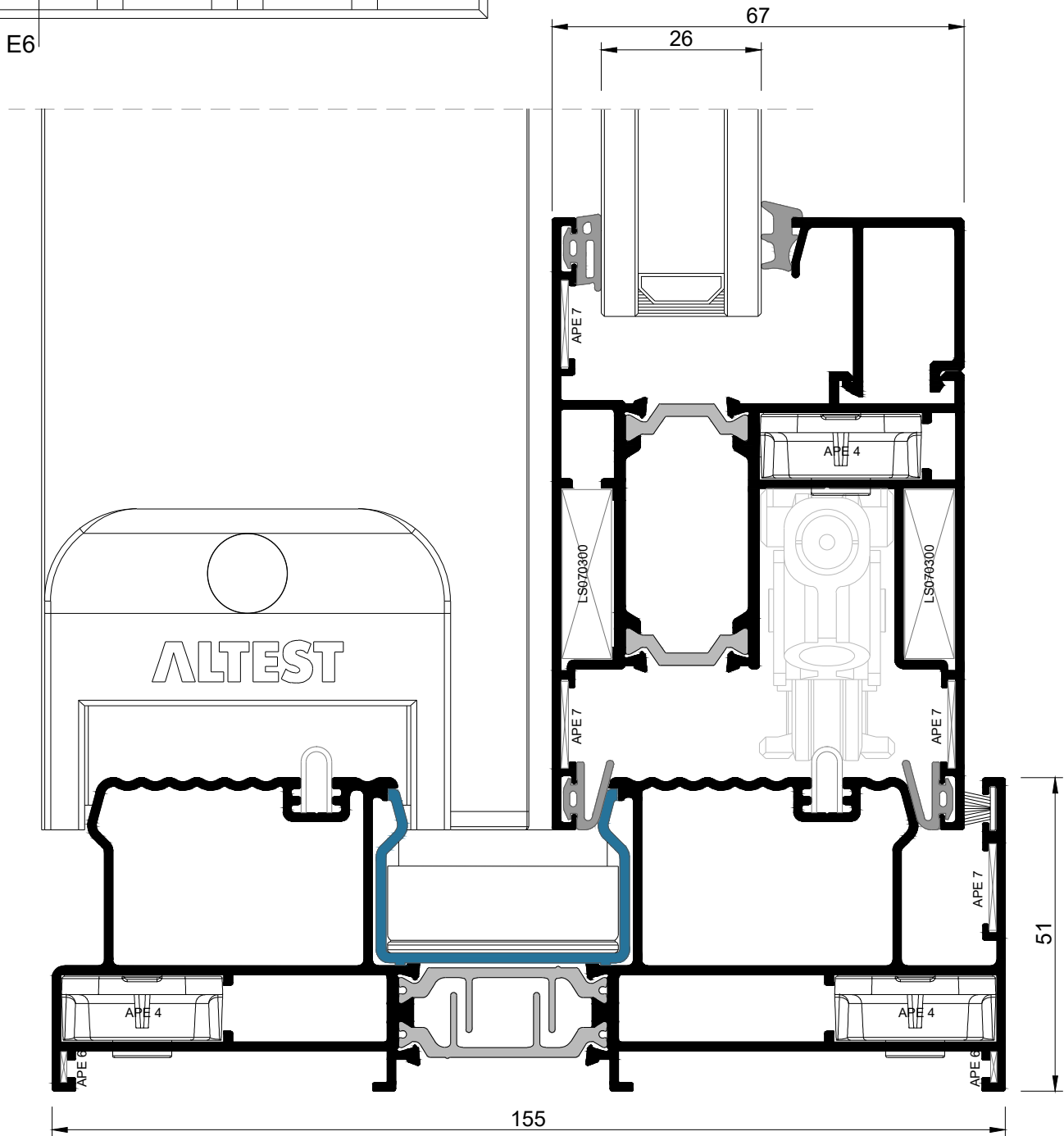
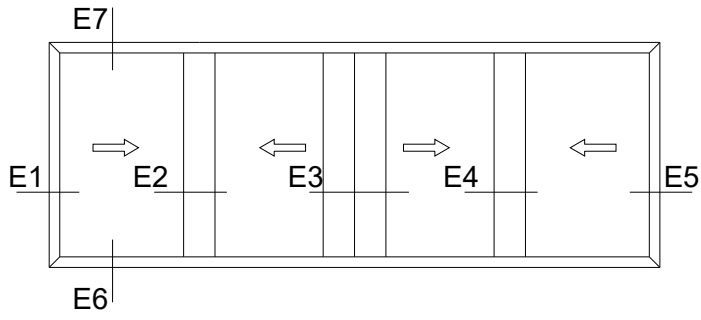
E4

SECTIONS



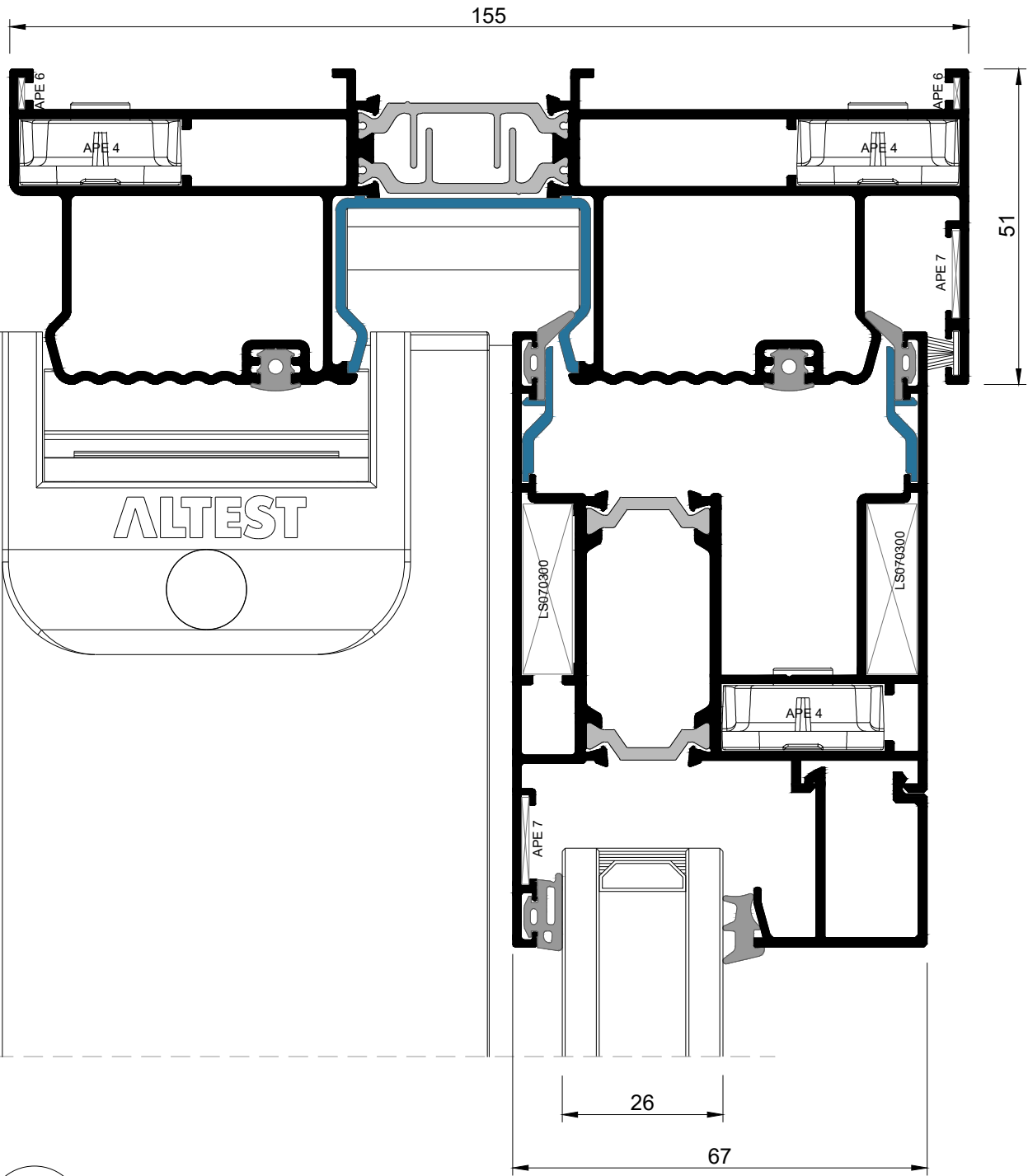
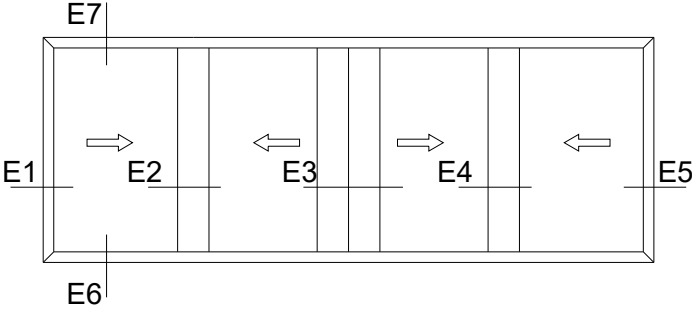
E5

SECTIONS



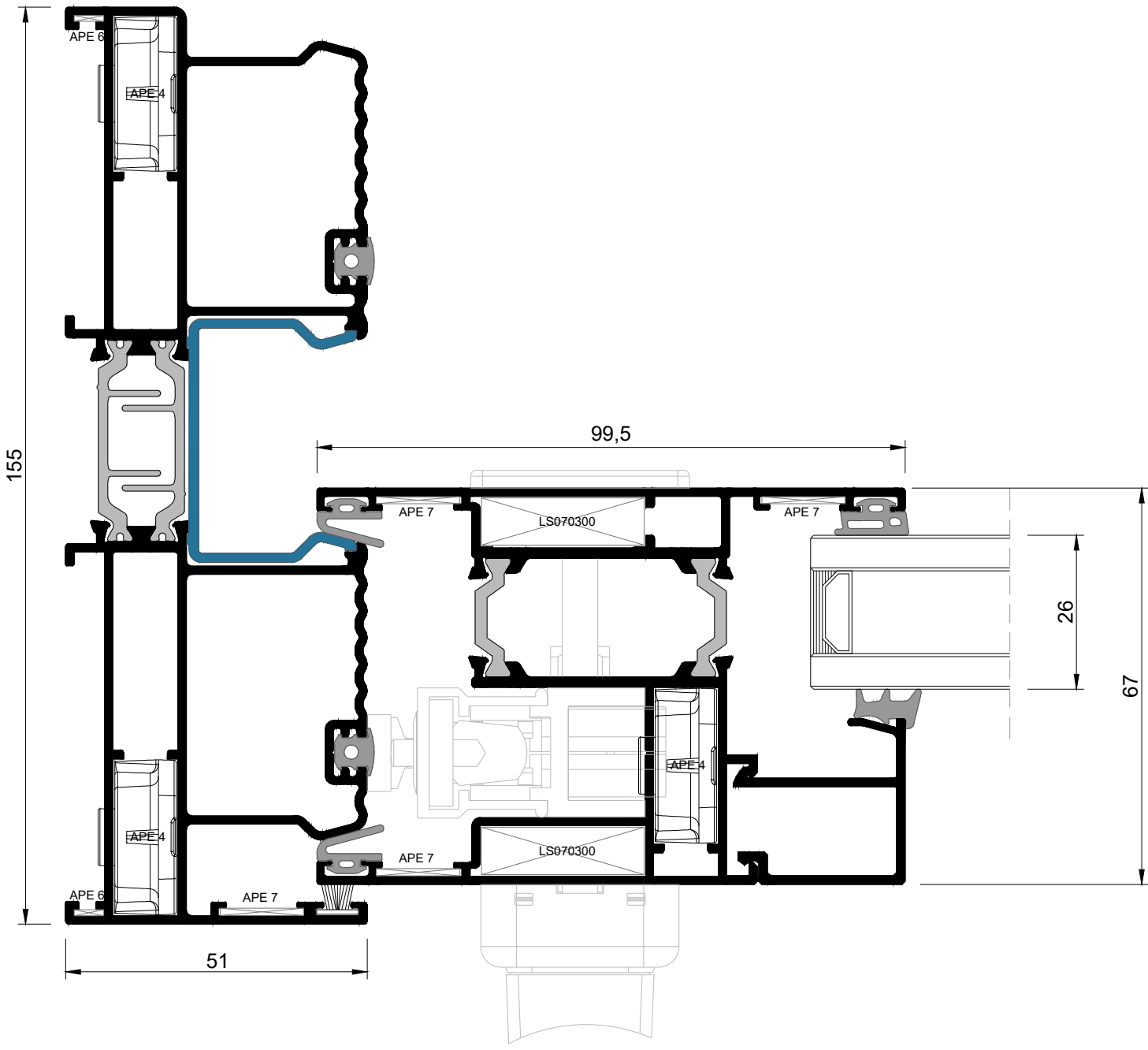
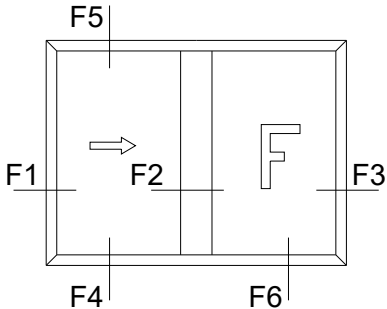
E6

SECTIONS



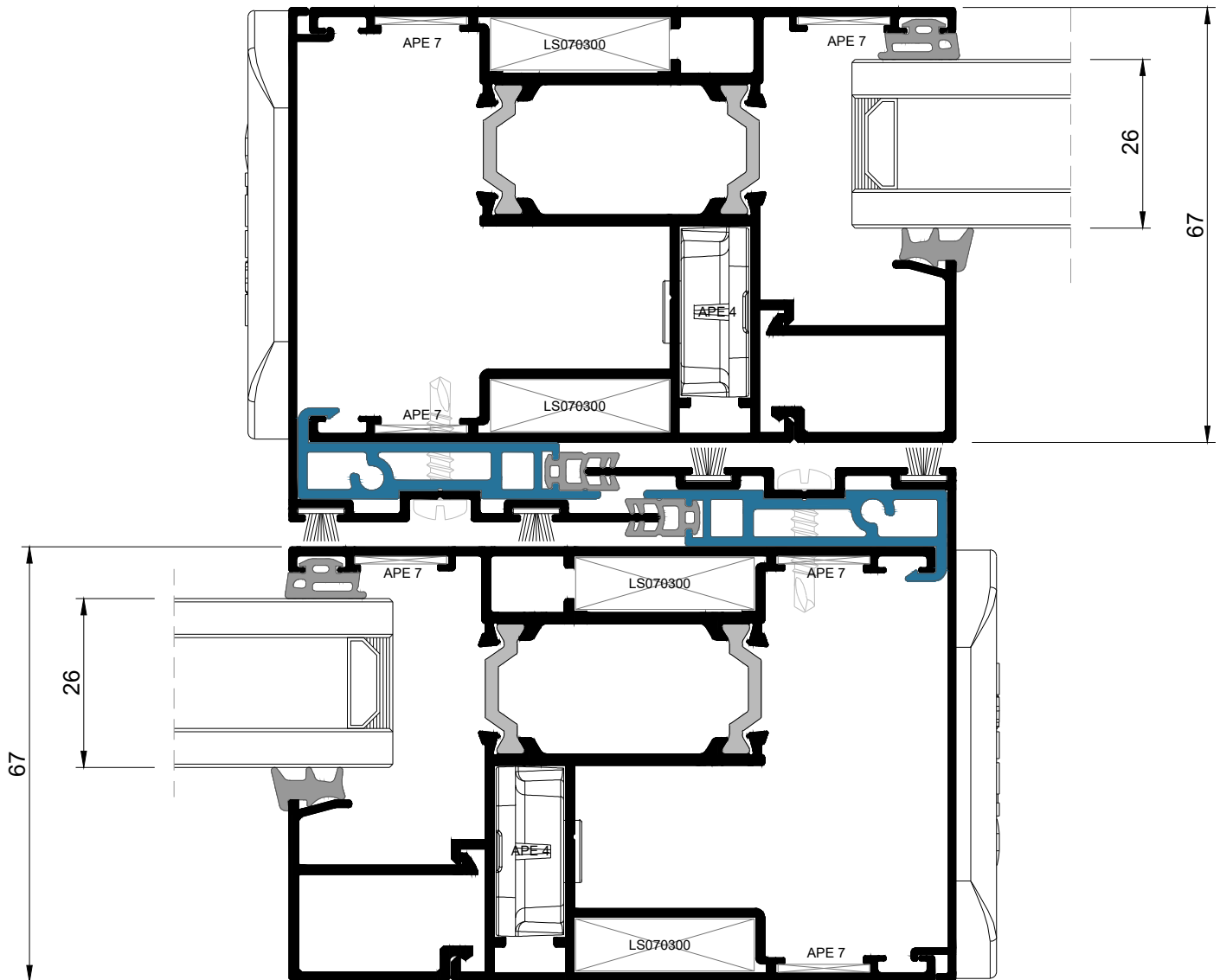
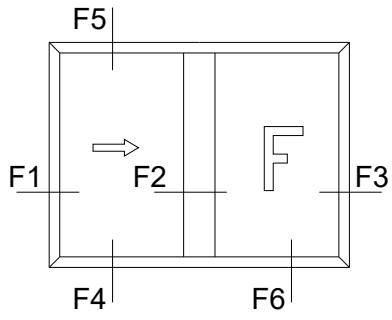
E7

SECTIONS



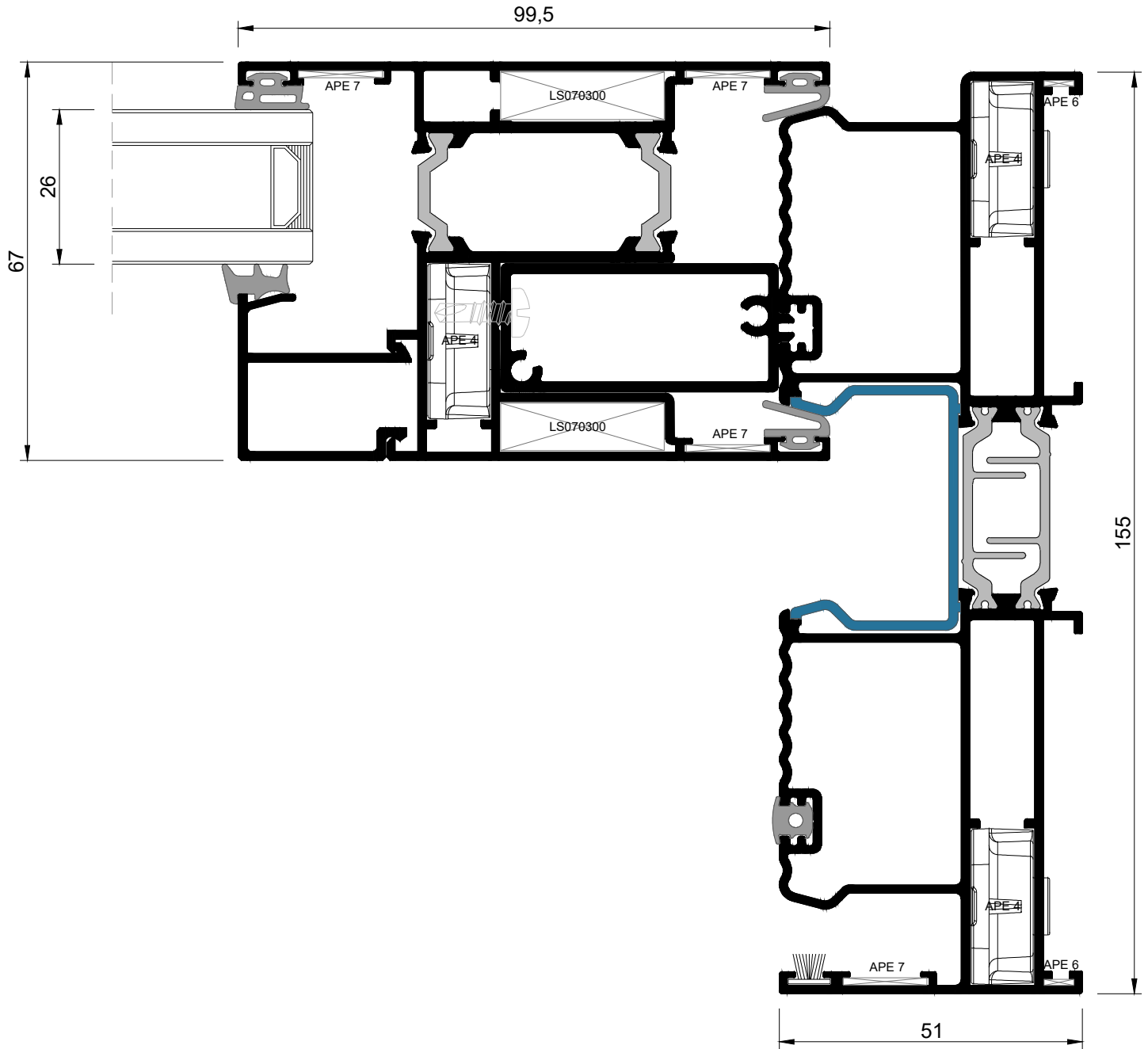
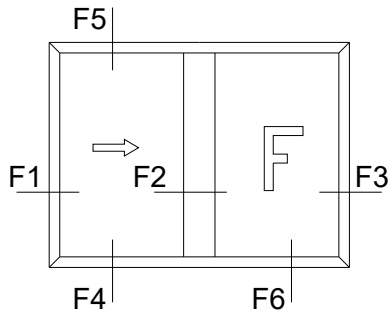
F1

SECTIONS



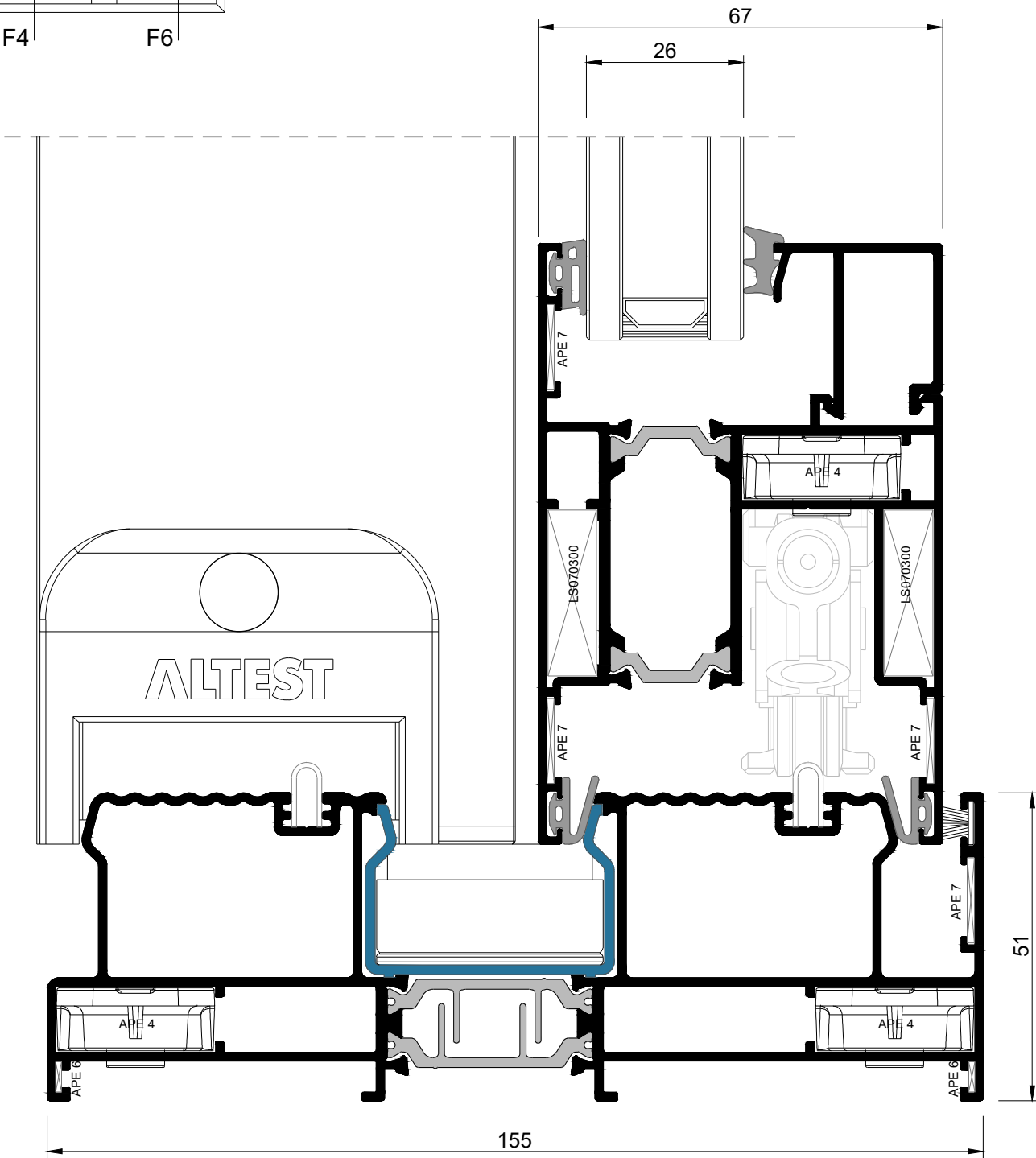
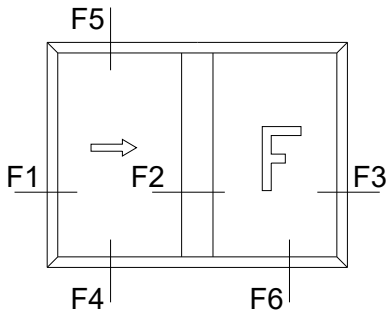
F2

SECTIONS



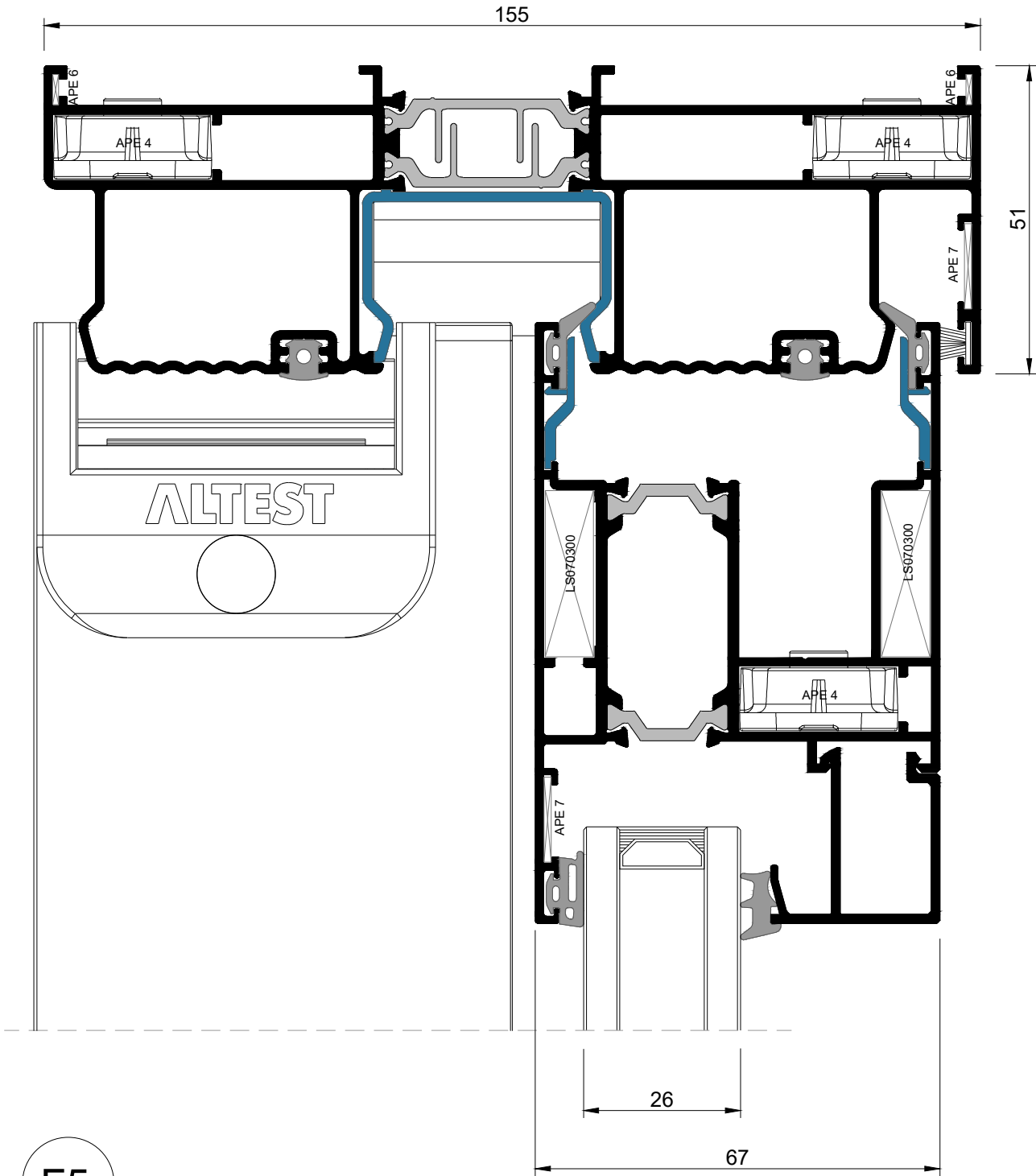
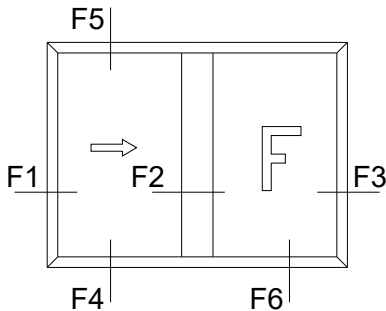
F3

SECTIONS



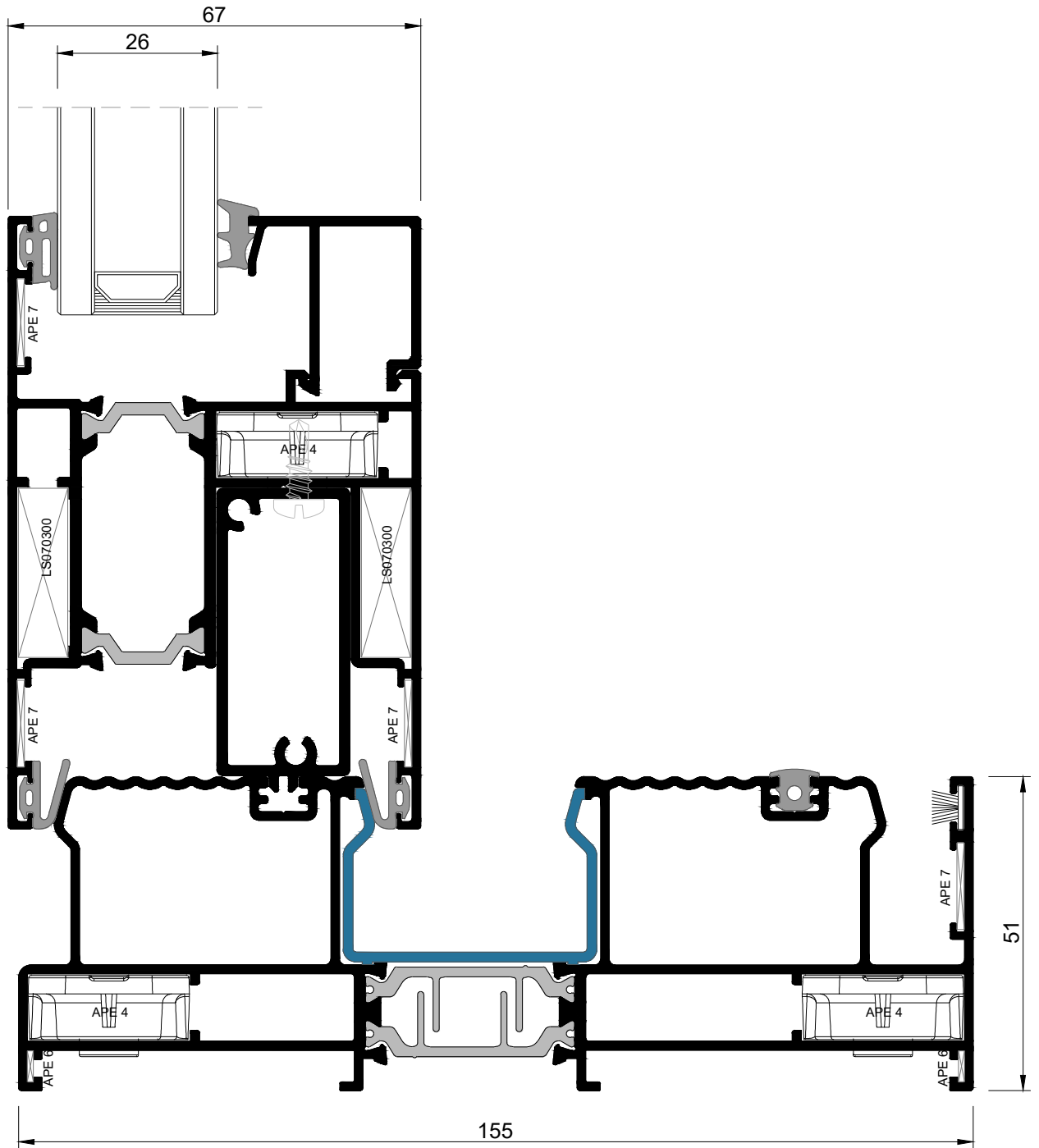
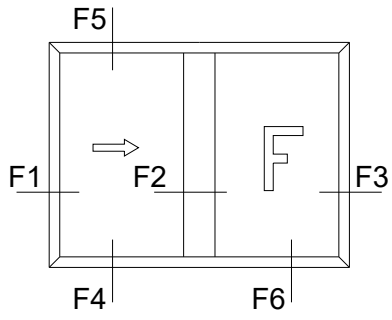
F4

SECTIONS



F5

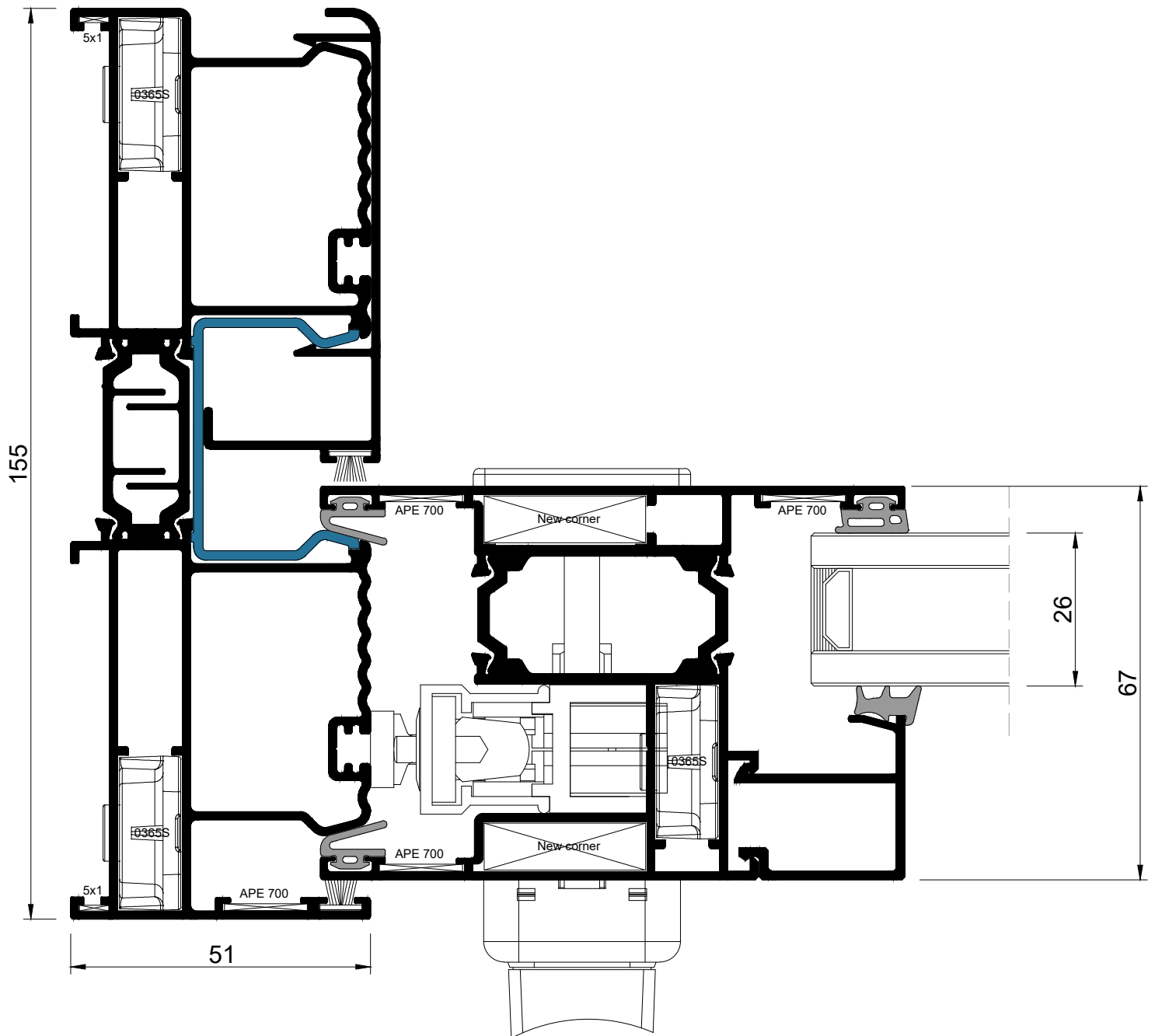
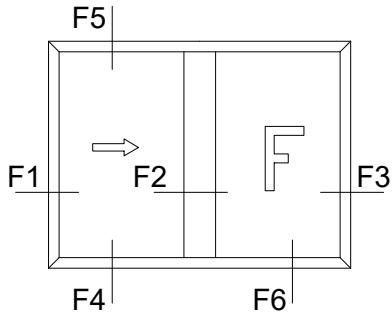
SECTIONS



F6

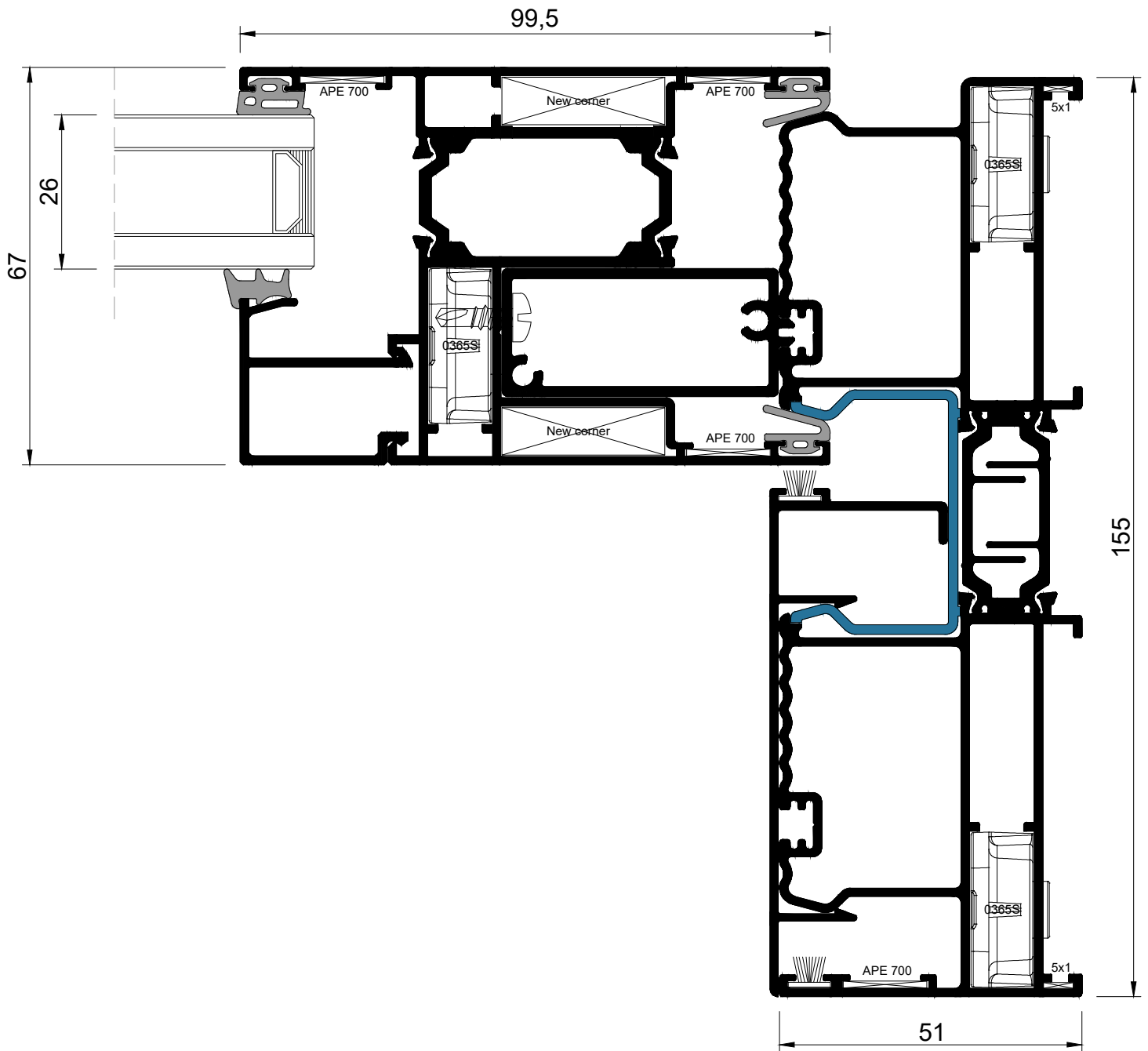
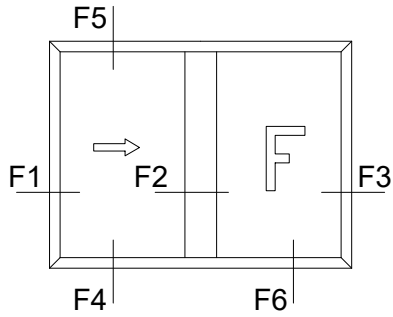
SECTIONS

Option with cover cap for frame



SECTIONS

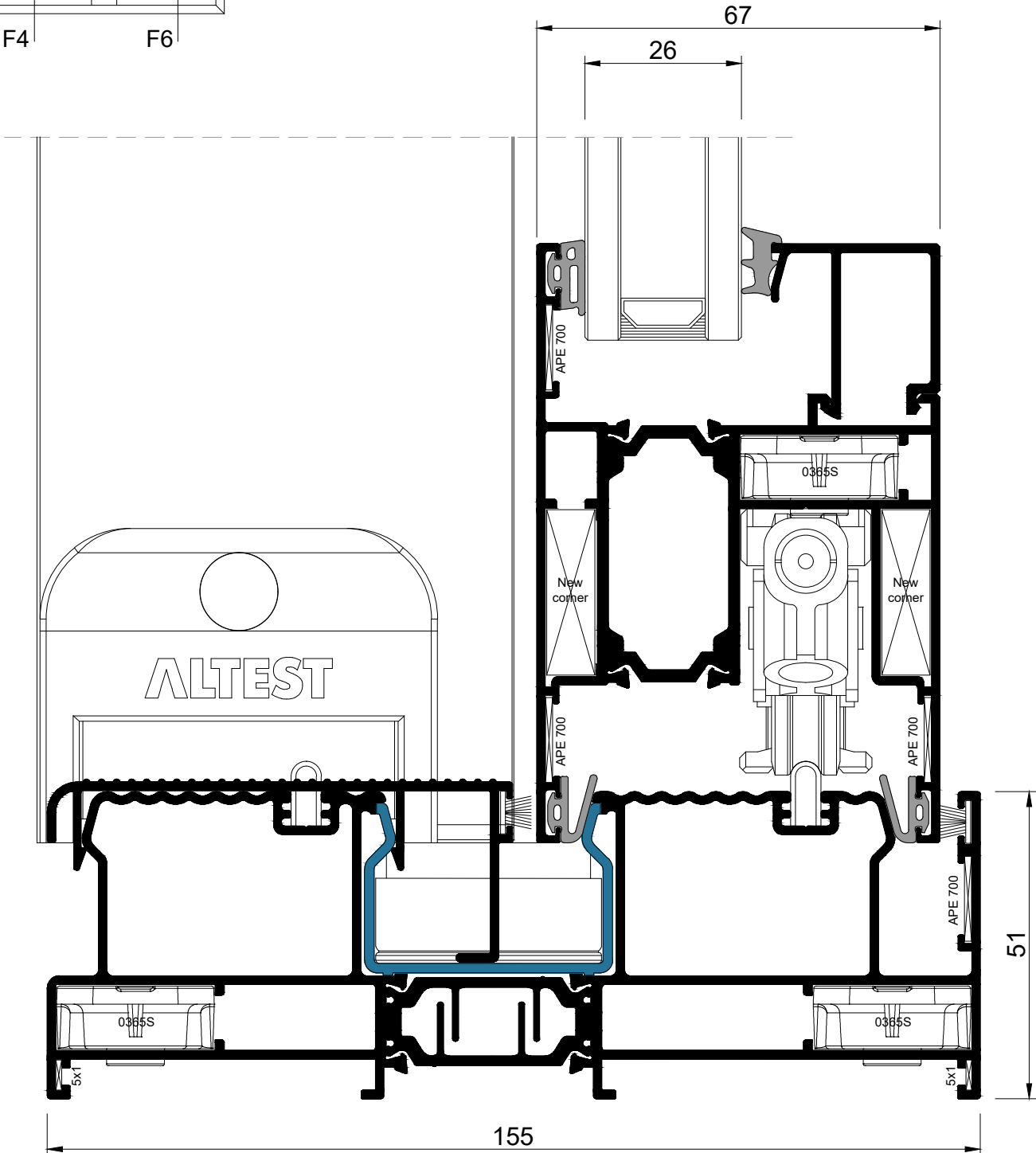
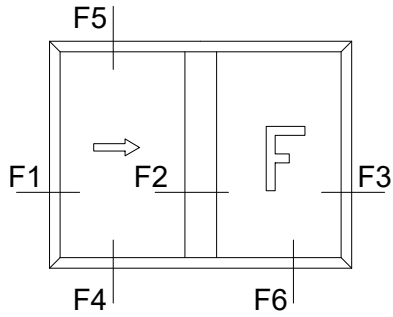
Option with cover cap for frame



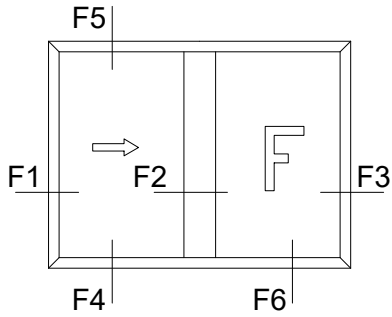
F3

SECTIONS

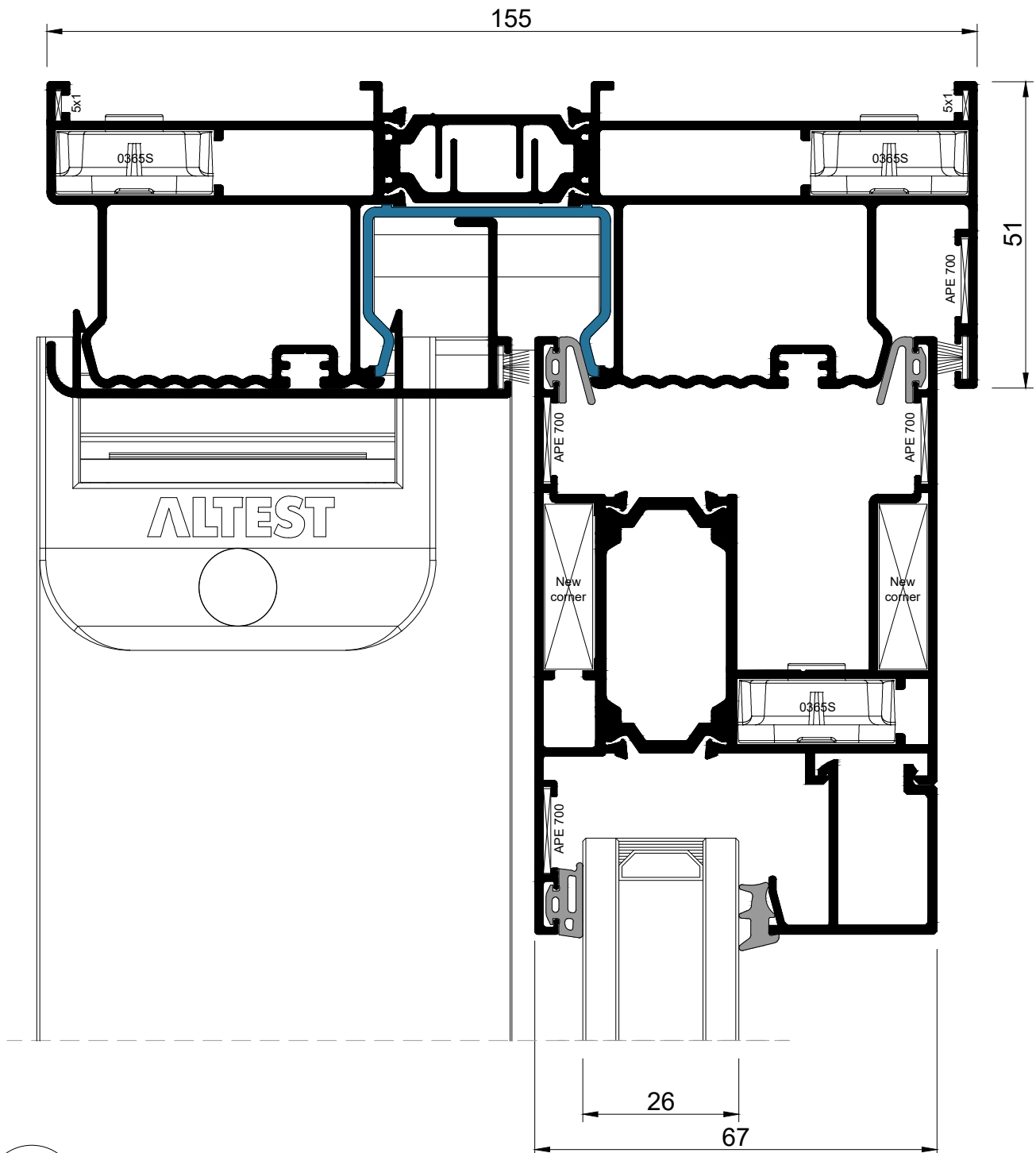
Option with cover cap for frame



F4



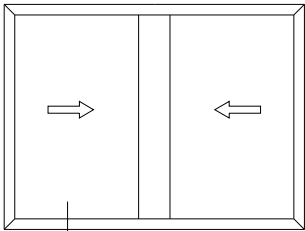
**Option with cover
cap for frame**



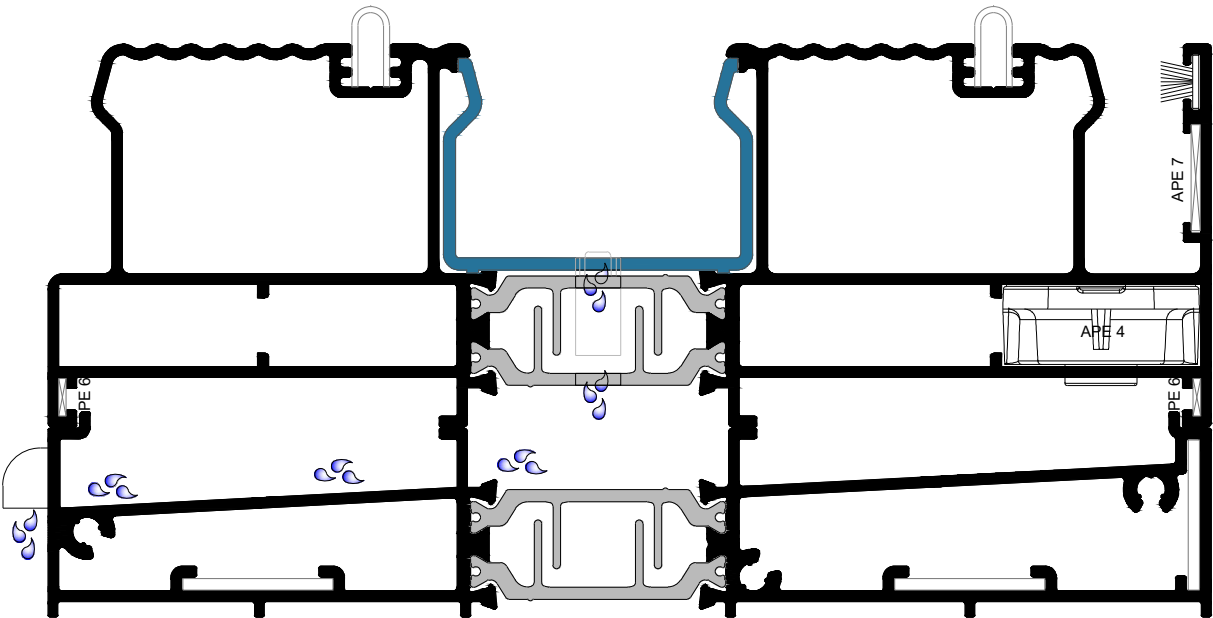
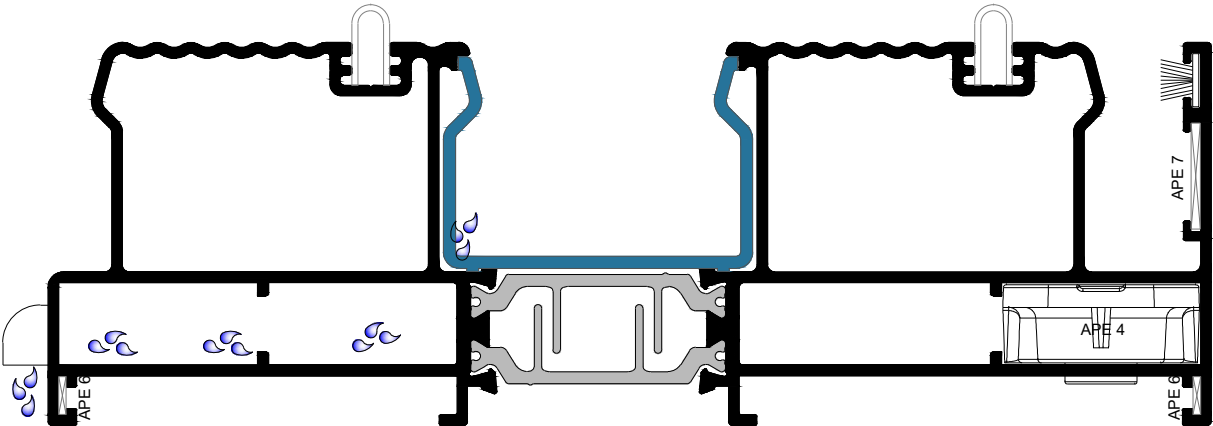
F5

SECTIONS

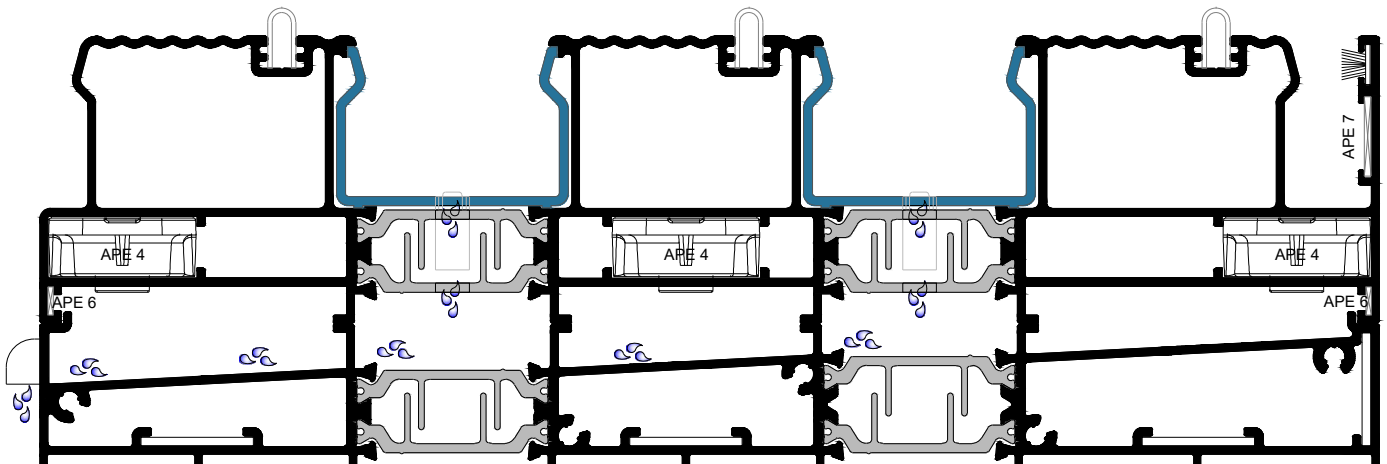
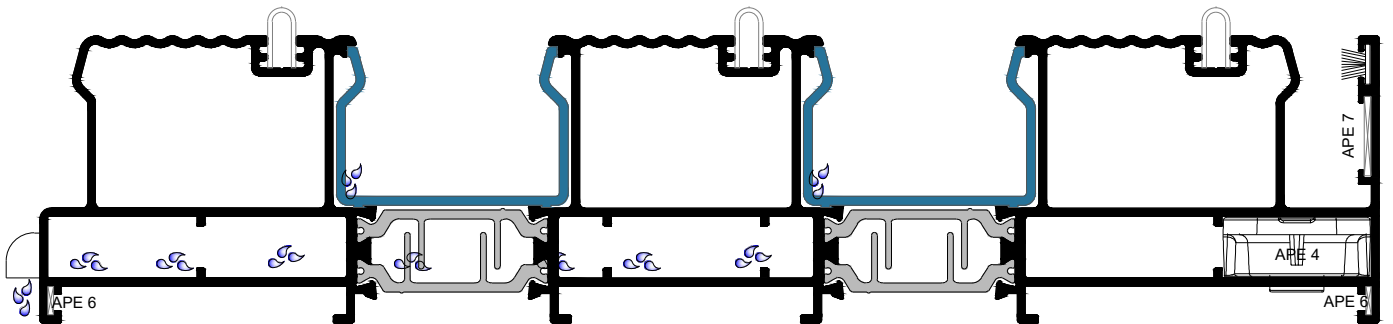
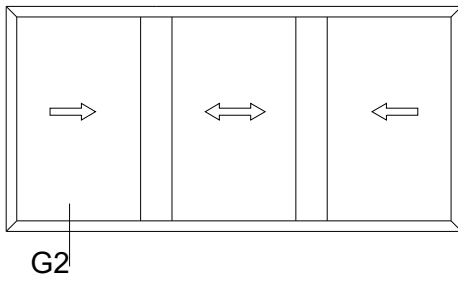
*Drainage solution for
double sliding frame*



G1



SECTIONS
Drainage solution for
triple sliding frame



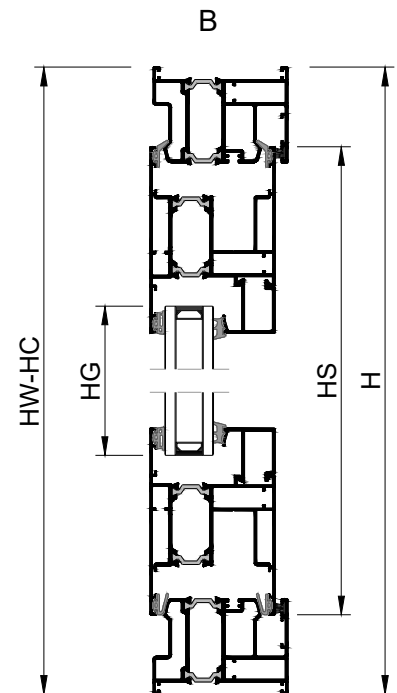
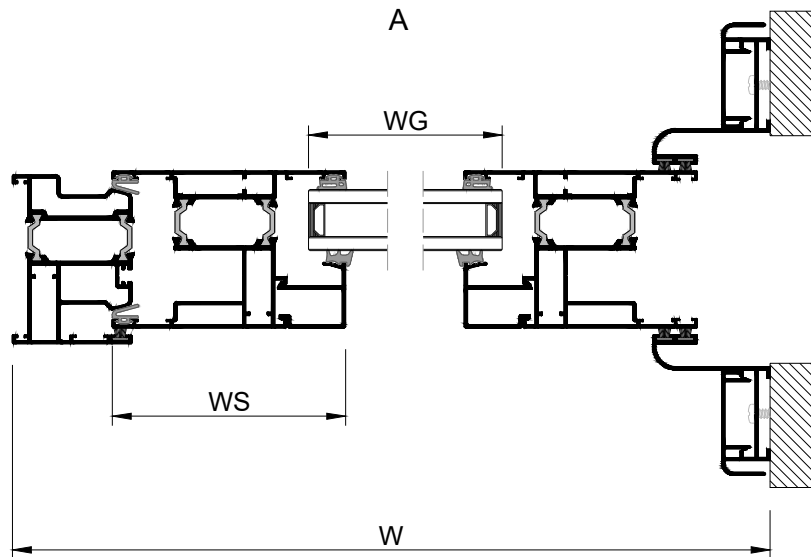
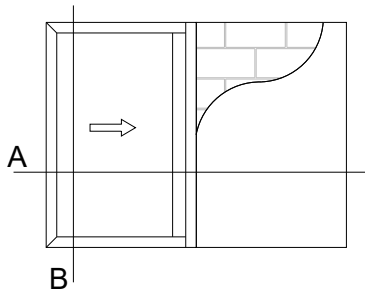


ALTEST[®]
ALUMINIUM PROFILES SYSTEMS

Series LS70

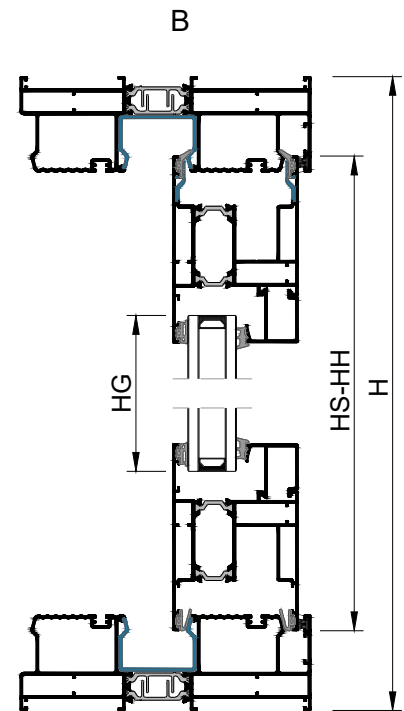
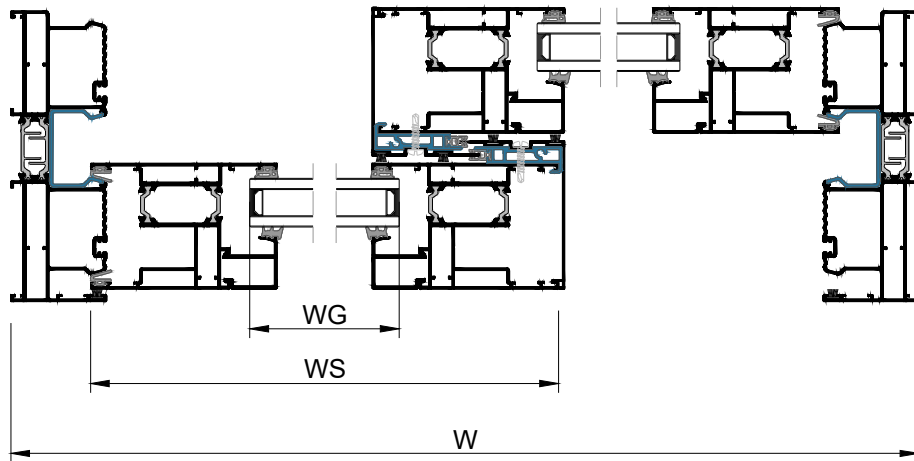
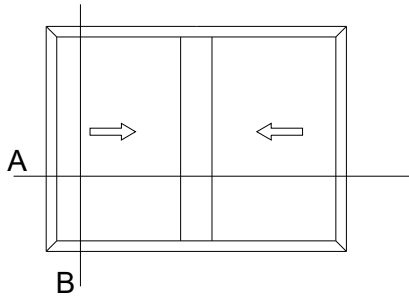
CUTTING ANALYSIS

CUTTING ANALYSIS



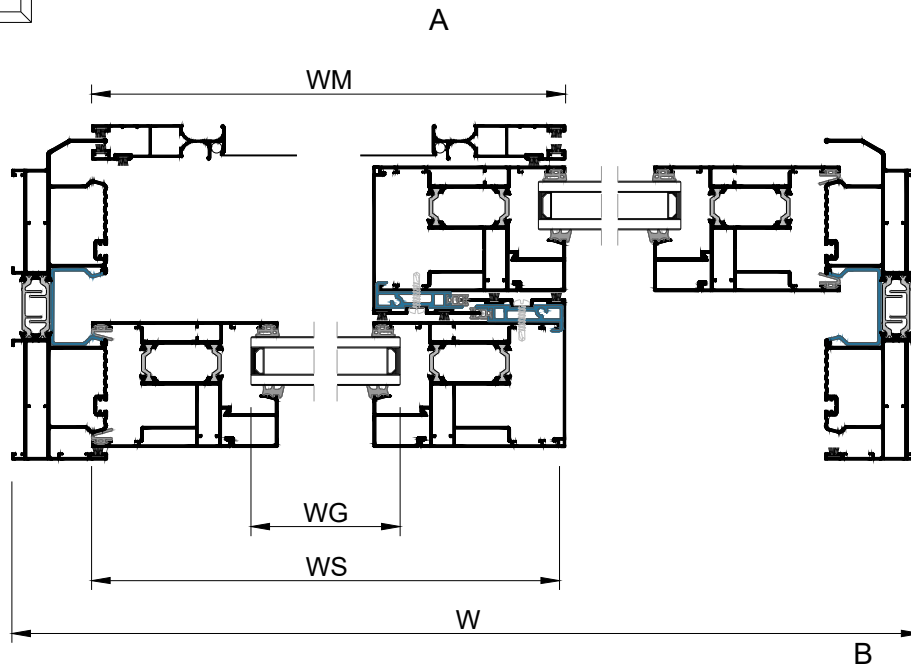
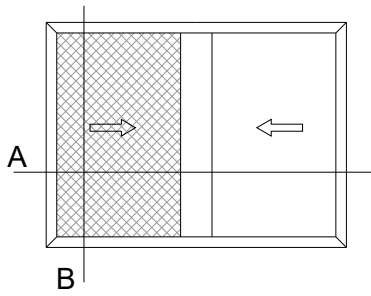
PROFILE CUTTING		
Description	Dimensions	Cut
Frame width	$2 \times W$	45°-90°
Frame height	H	45°-45°
Sash width	$WS = W - 73,4\text{mm}$	45°-45°
Sash height	$HS = H - 85\text{mm}$	45°-45°
Wall cover height	$HW = H$	90°-90°
Cover height	$HC = H$	90°-90°
Glass width	$WG = WS - 167\text{mm}$	90°-90°
Glass height	$HG = HS - 167\text{mm}$	90°-90°

CUTTING ANALYSIS

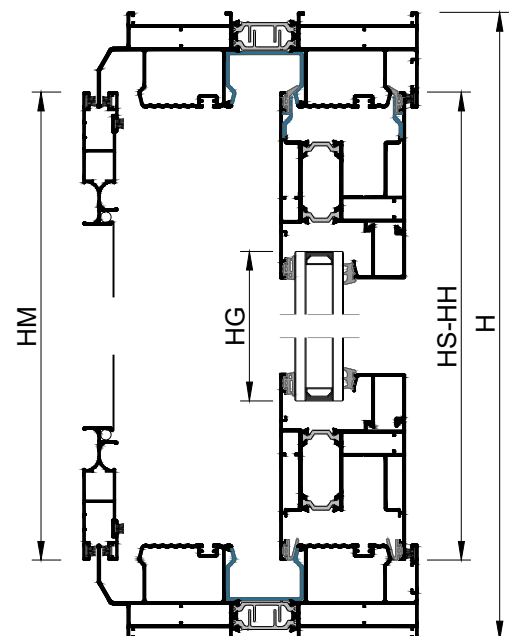


PROFILE CUTTING		
Description	Dimensions	Cut
Frame width	W	45°-45°
Frame height	H	45°-45°
Sash width	$WS = \frac{W + 11,3\text{mm}}{2}$	45°-45°
Sash height	HS = H - 85mm	45°-45°
Hook height	HH = HS	90°-90°
Glass width	WG = WS - 167mm	90°-90°
Glass height	HG = HS - 167mm	90°-90°

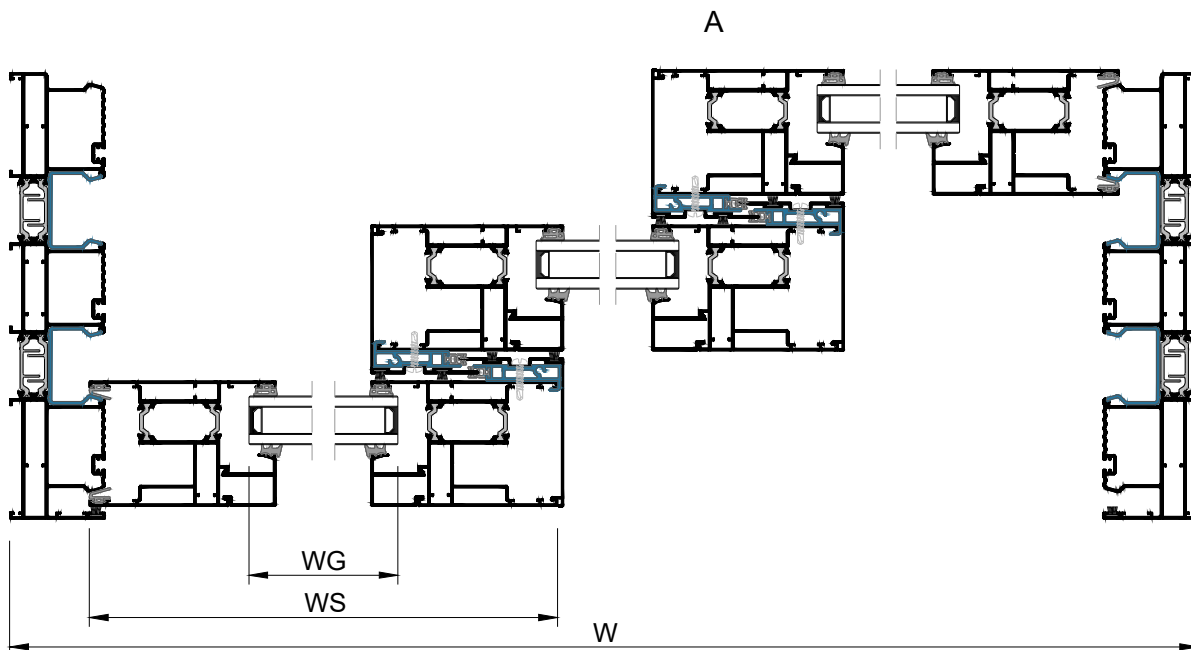
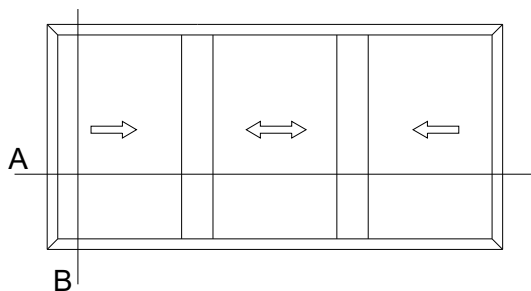
CUTTING ANALYSIS



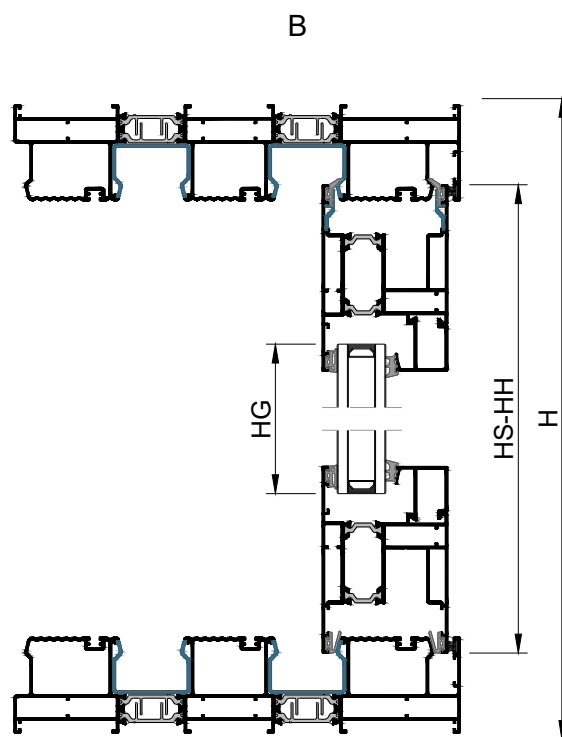
PROFILE CUTTING		
Description	Dimensions	Cut
Frame width	W	45°-45°
Frame height	H	45°-45°
Sash width	$WS = \frac{W + 11,3\text{mm}}{2}$	45°-45°
Sash height	$HS = H - 85\text{mm}$	45°-45°
Hook height	$HH = HS$	90°-90°
Mosquito profile width	$WM = WS + 3,2\text{mm}$	45°-45°
Mosquito profile height	$HM = HS$	45°-45°
Glass width	$WG = WS - 167\text{mm}$	90°-90°
Glass height	$HG = HS - 167\text{mm}$	90°-90°



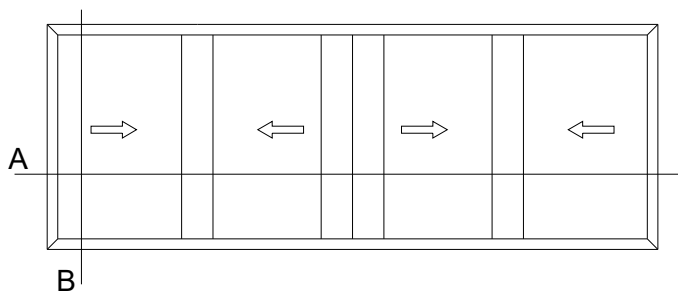
CUTTING ANALYSIS



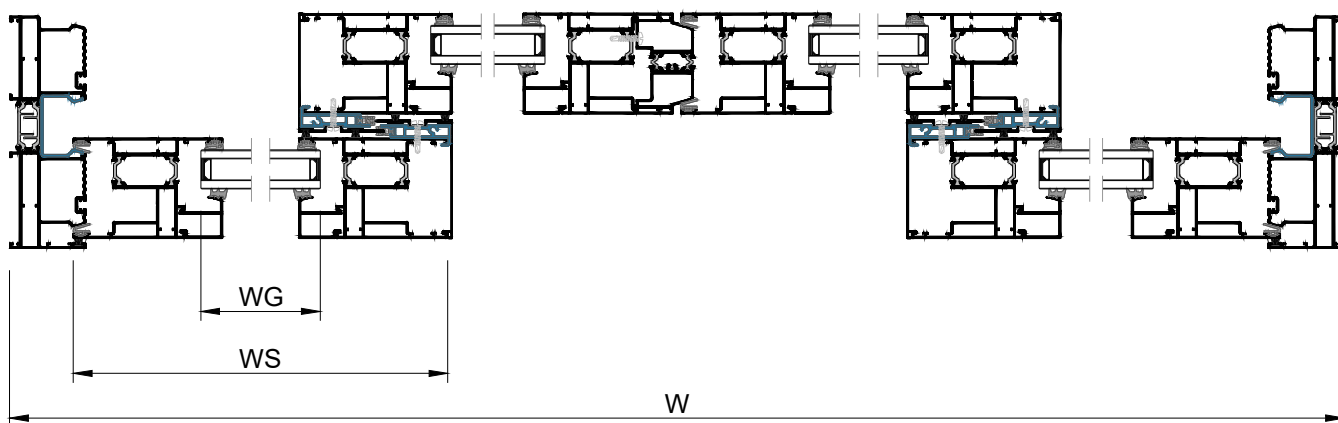
PROFILE CUTTING		
Description	Dimensions	Cut
Frame width	W	45°-45°
Frame height	H	45°-45°
Sash width	$WS = \frac{W+107,6\text{mm}}{3}$	45°-45°
Sash height	HS=H-85mm	45°-45°
Hook height	HH=HS	90°-90°
Glass width	WG=WS-167mm	90°-90°
Glass height	HG=HS-167mm	90°-90°



CUTTING ANALYSIS

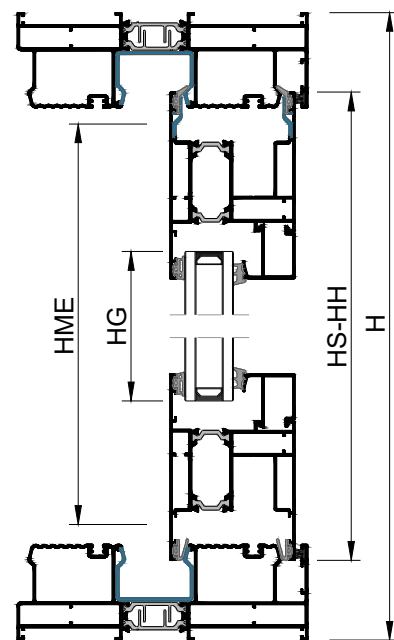


A



W

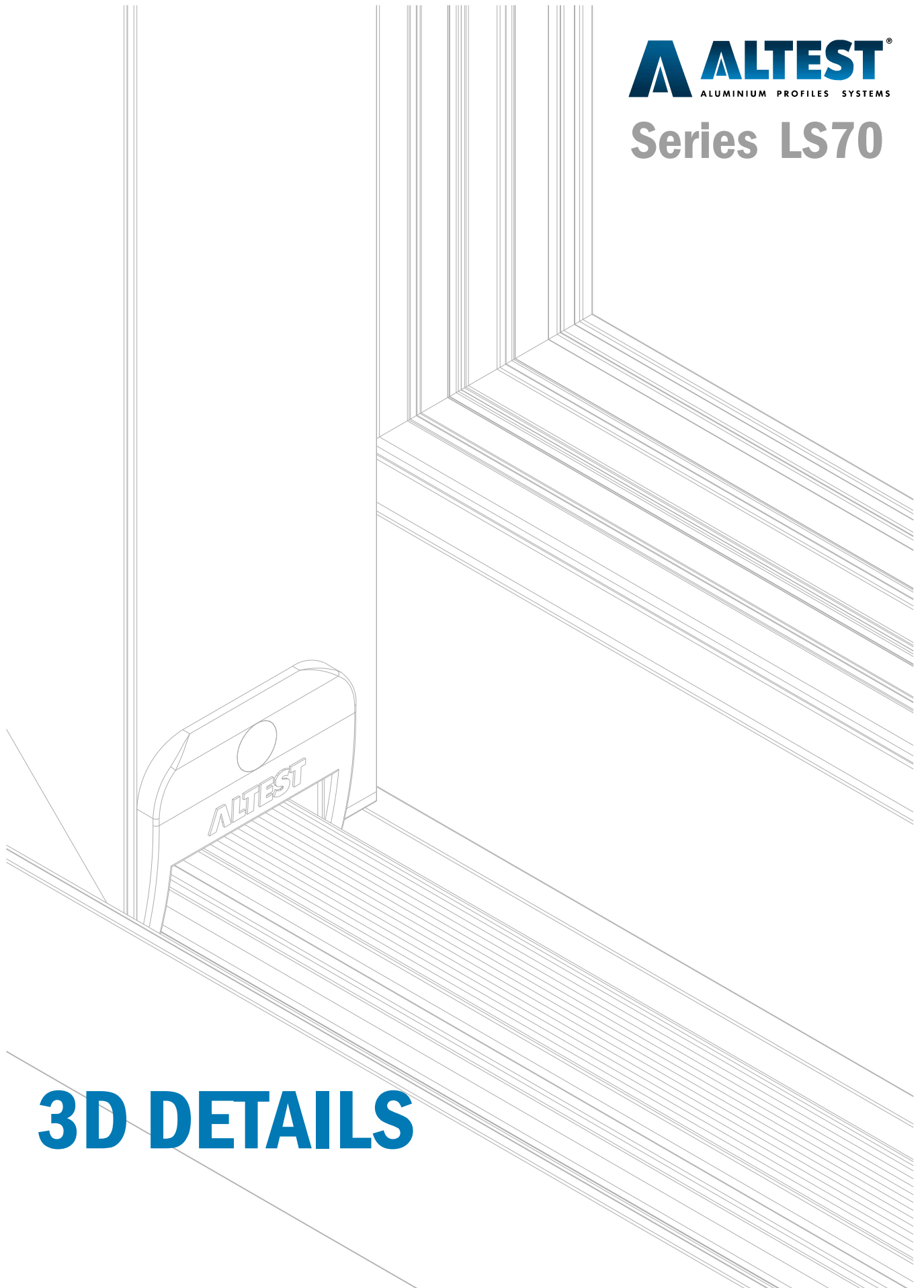
B



PROFILE CUTTING		
Description	Dimensions	Cut
Frame width	W	45°-45°
Frame height	H	45°-45°
Sash width	$WS = \frac{W + 112,6\text{mm}}{4}$	45°-45°
Sash height	HS = H - 85mm	45°-45°
Hook height	HH = HS	90°-90°
Meeting stile profile	HME = HS - 56,9mm	90°-90°
Glass width	WG = WS - 167mm	90°-90°
Glass height	HG = HS - 167mm	90°-90°

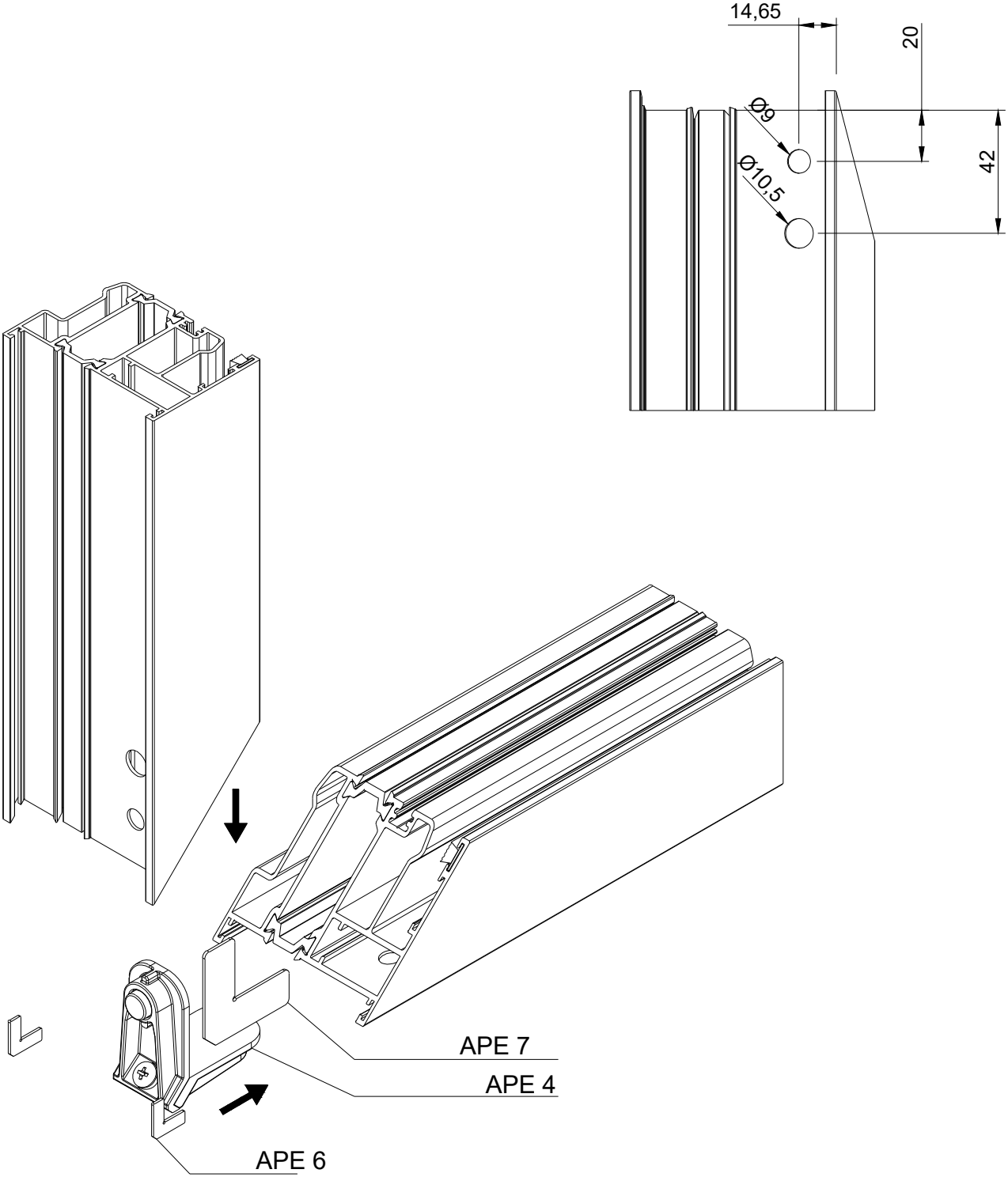
ALTEST[®]
ALUMINIUM PROFILES SYSTEMS

Series LS70

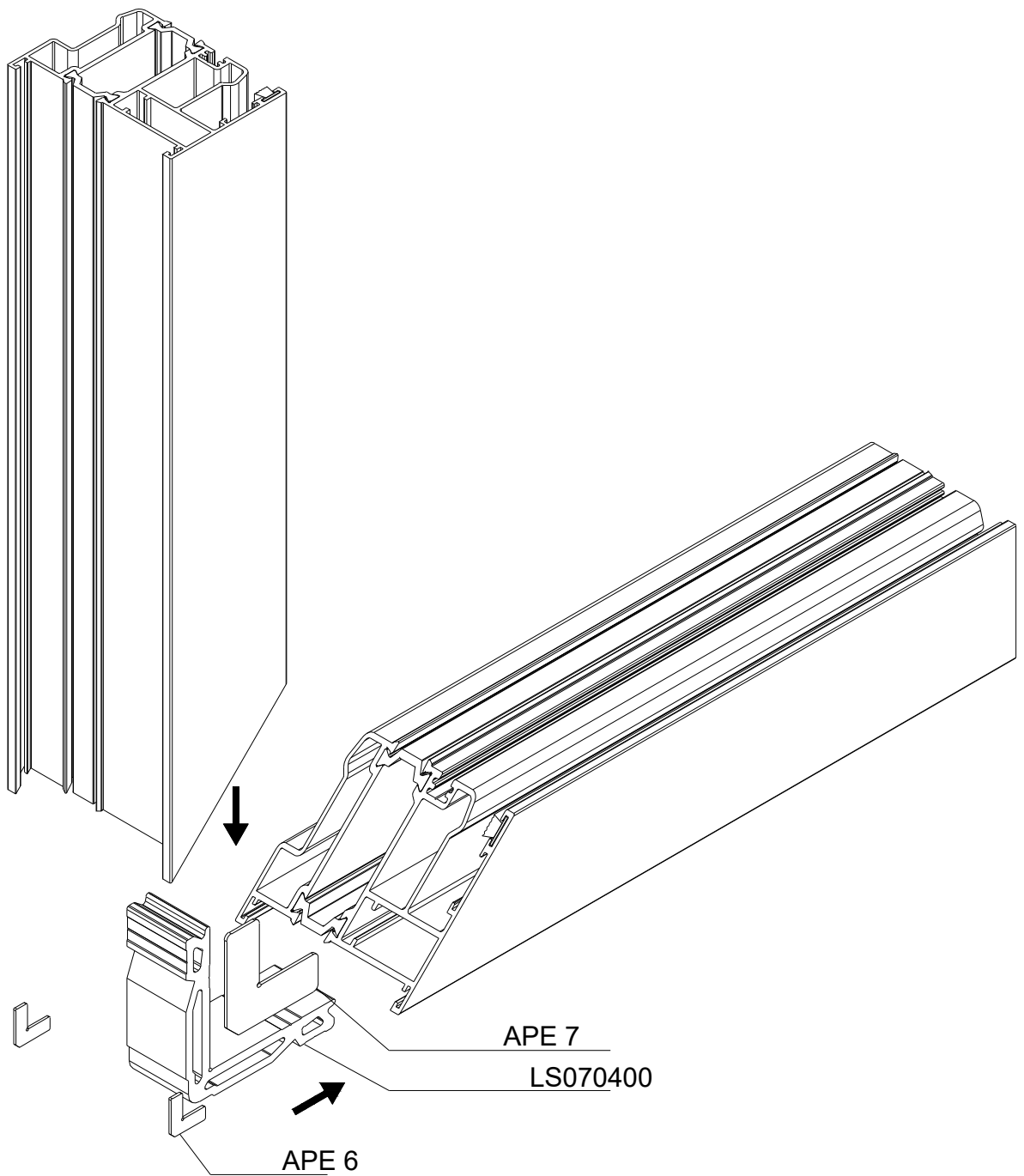


3D DETAILS

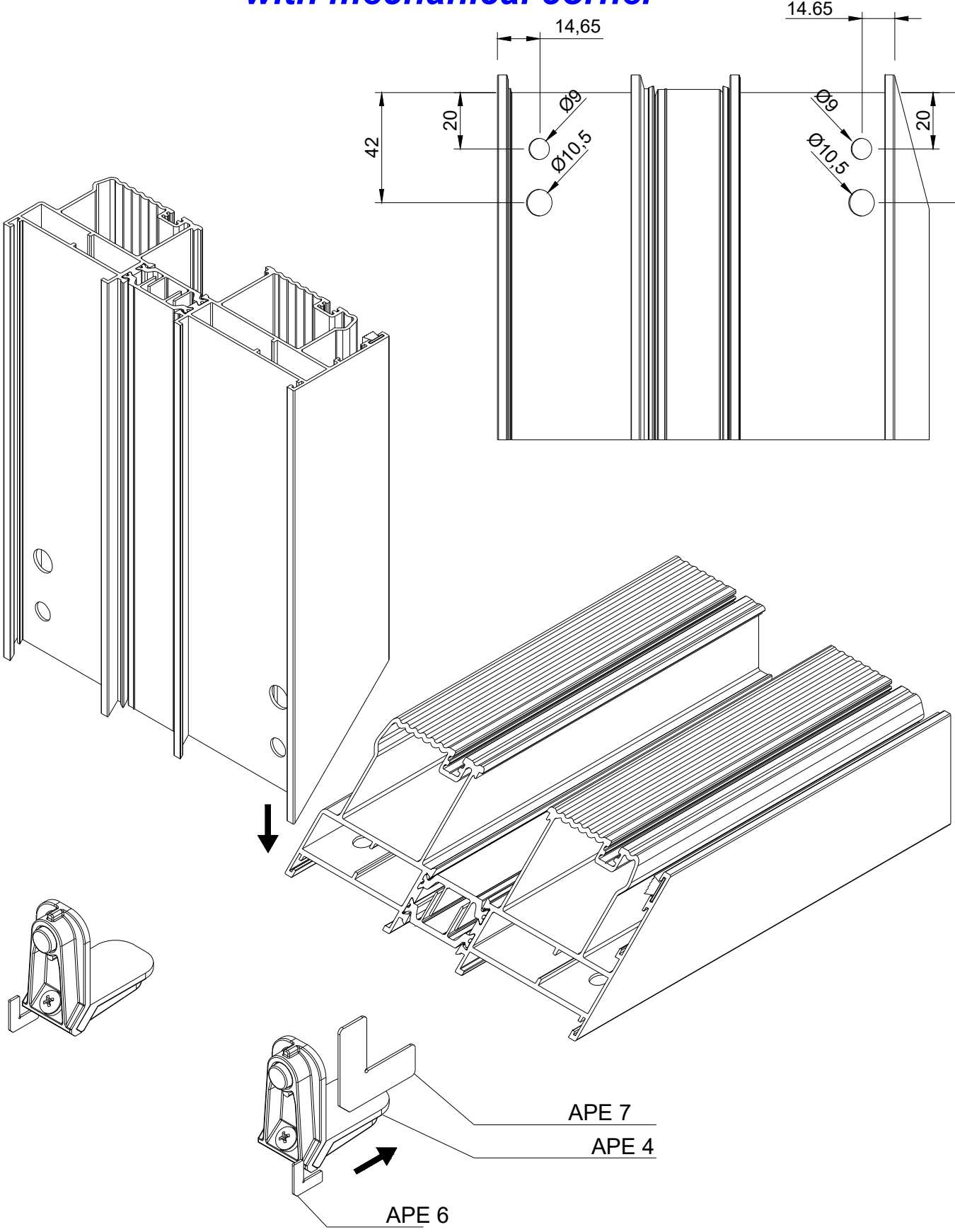
3D DETAILS
**Corner connection single frame
with mechanical corner**



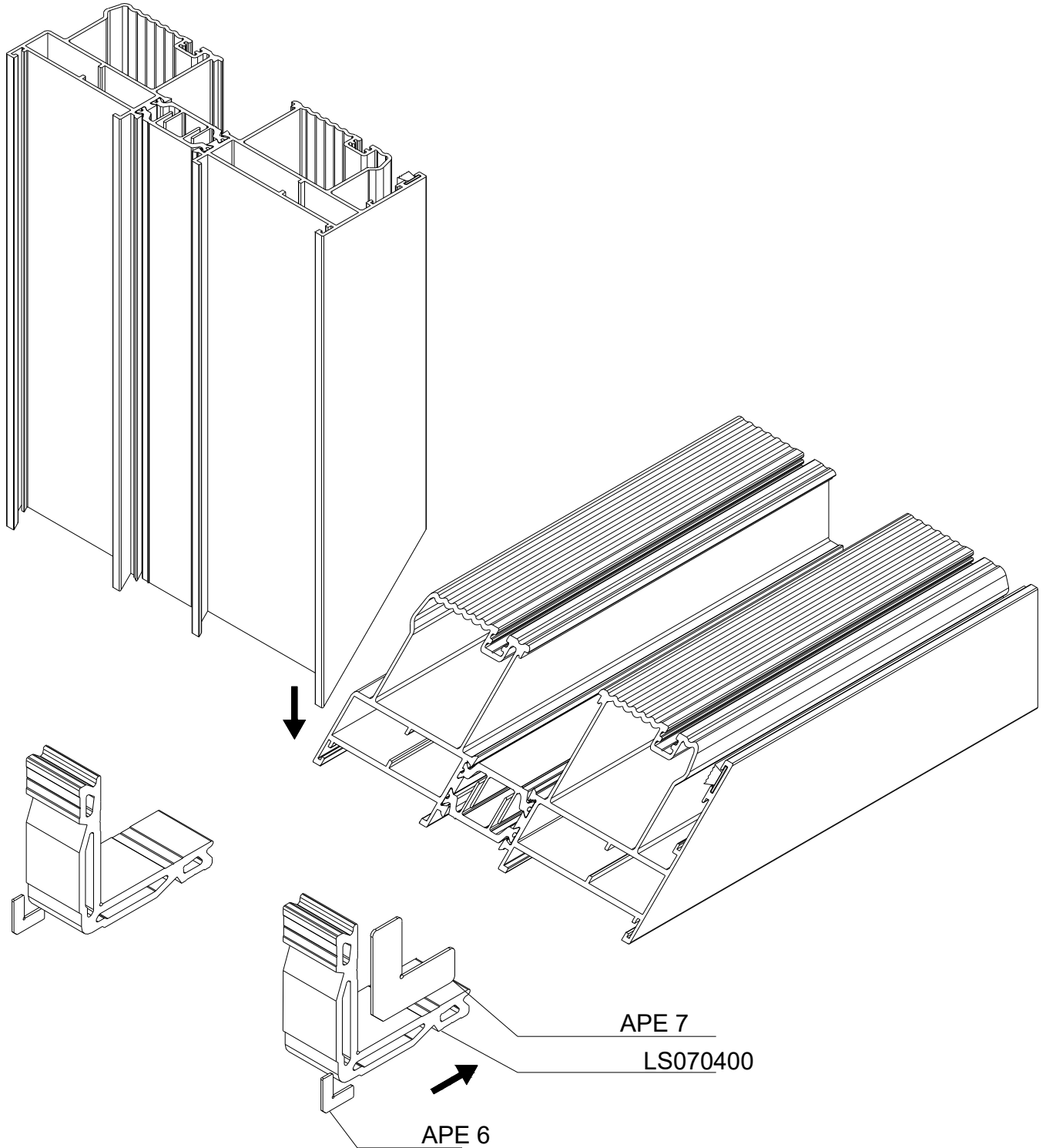
3D DETAILS
Corner connection single frame
with press corner



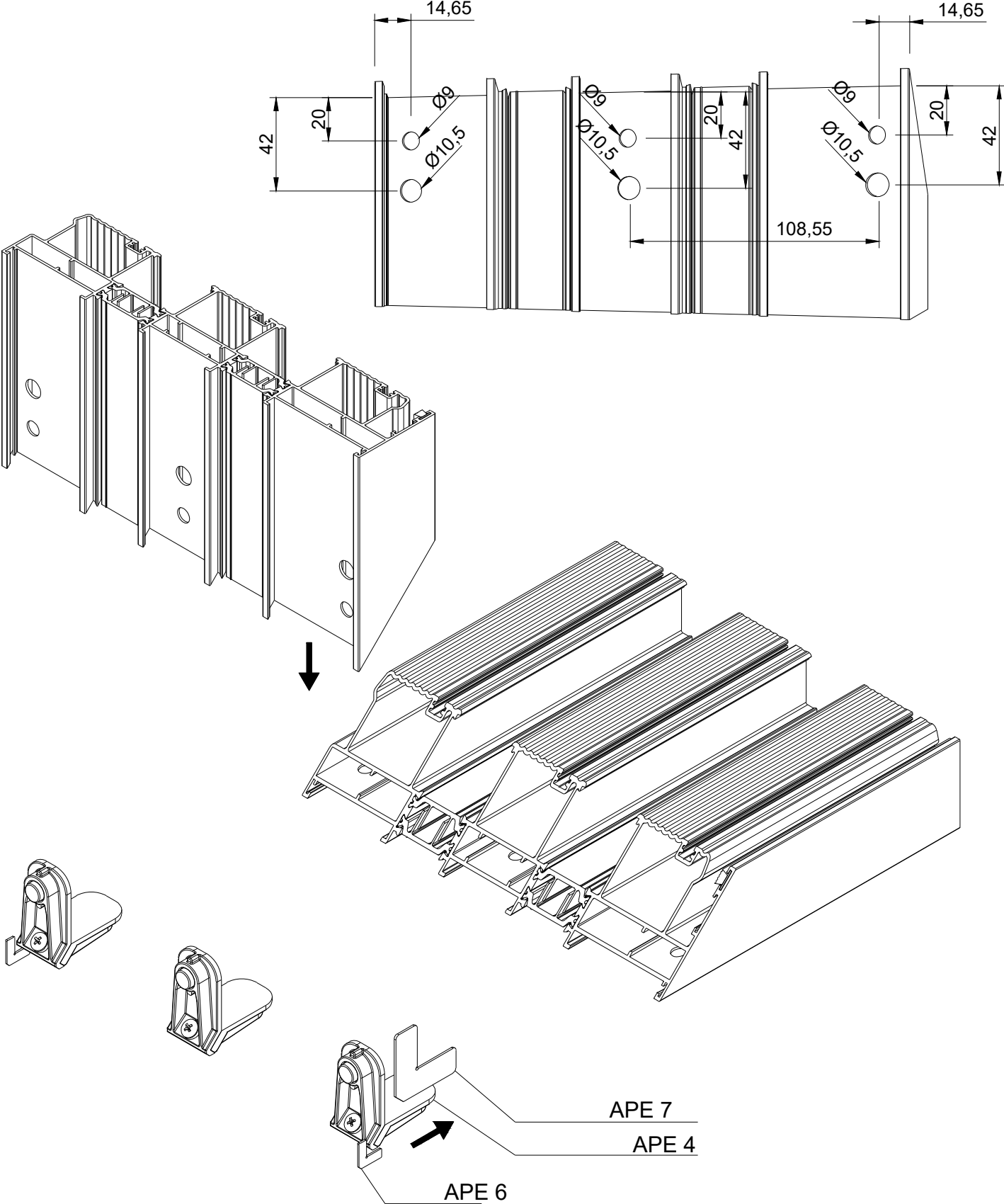
3D DETAILS
Corner connection double sliding frame
with mechanical corner



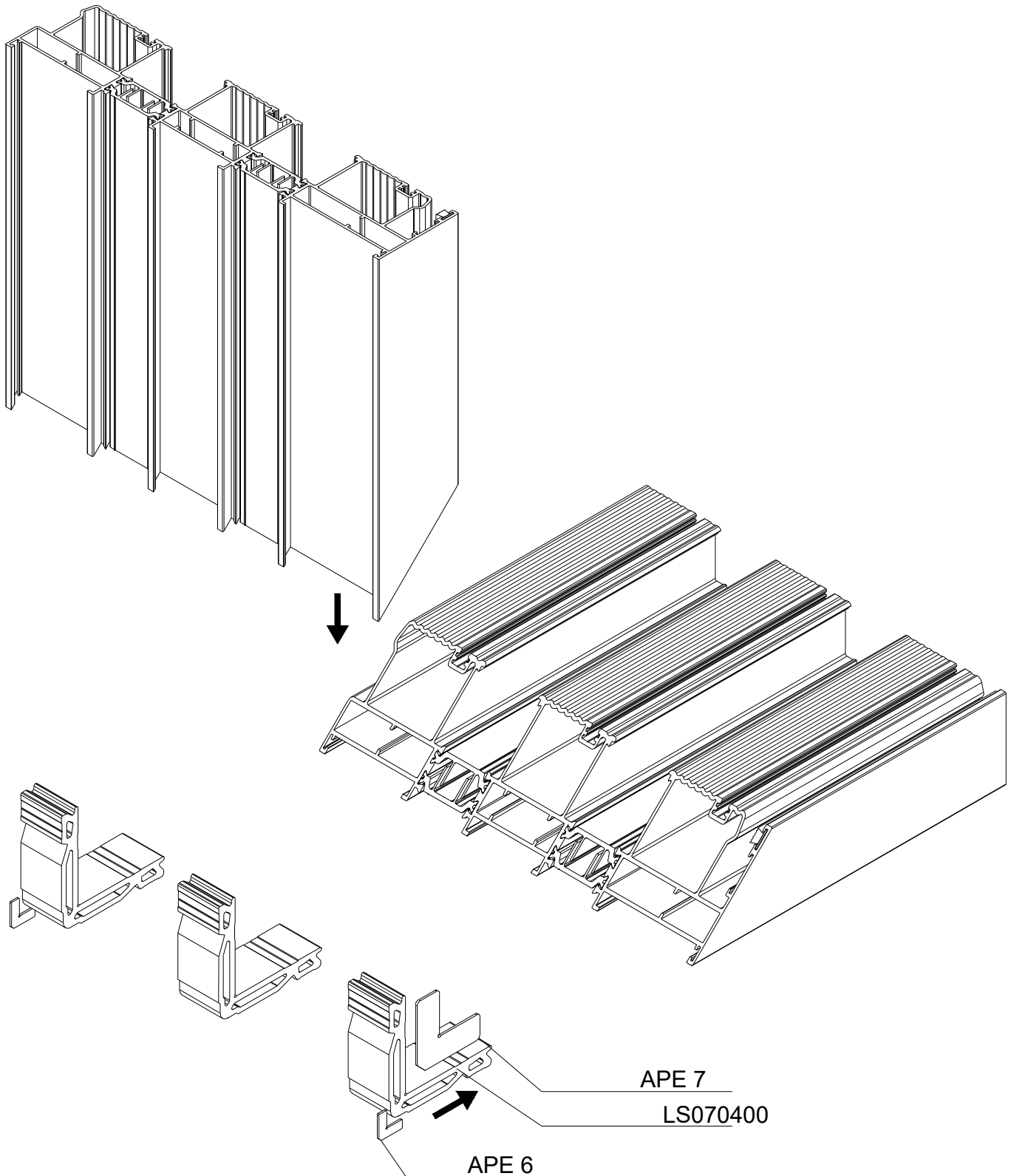
3D DETAILS
Corner connection double sliding frame
with press corner



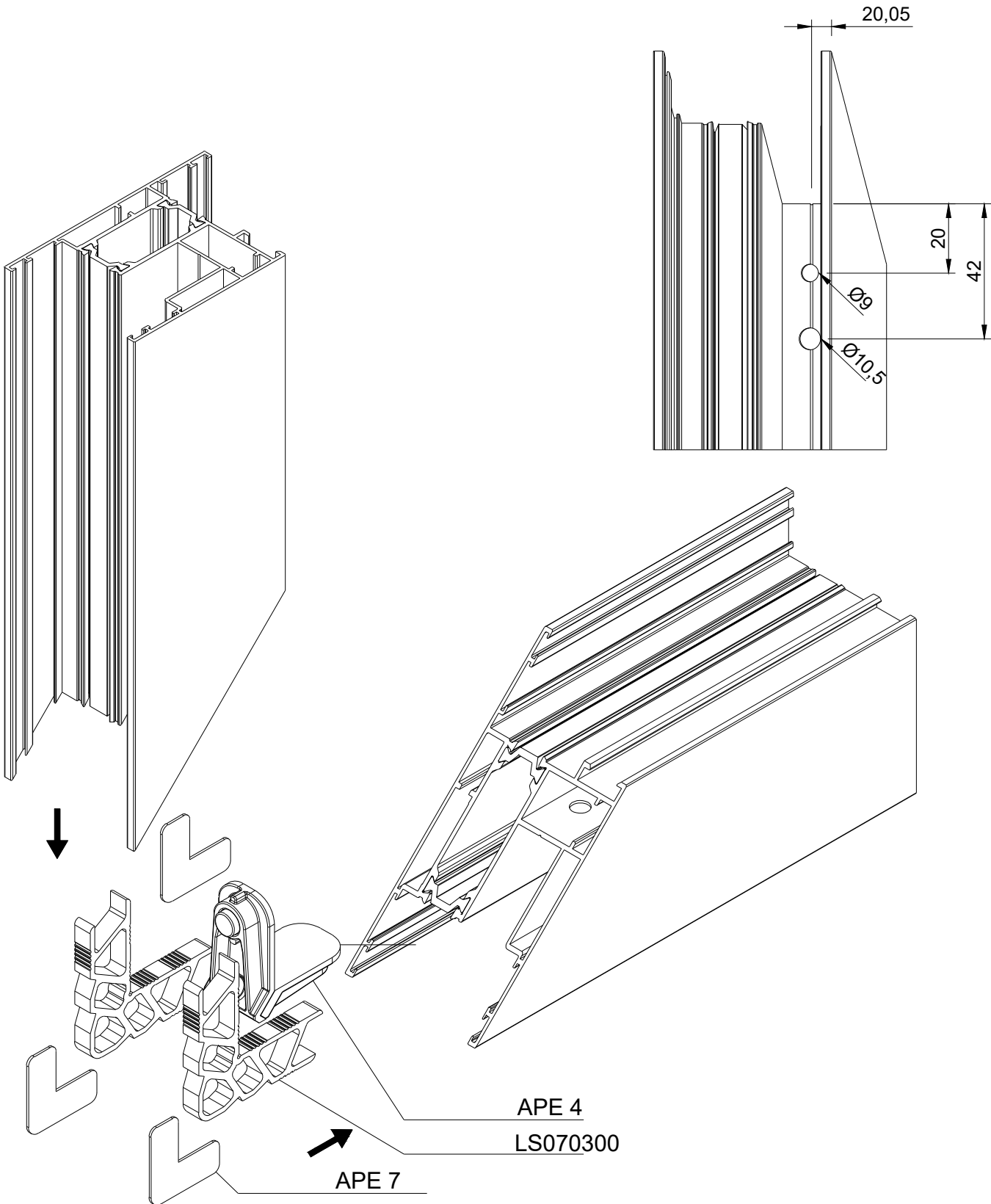
3D DETAILS
**Corner connection triple sliding frame
with mechanical corner**



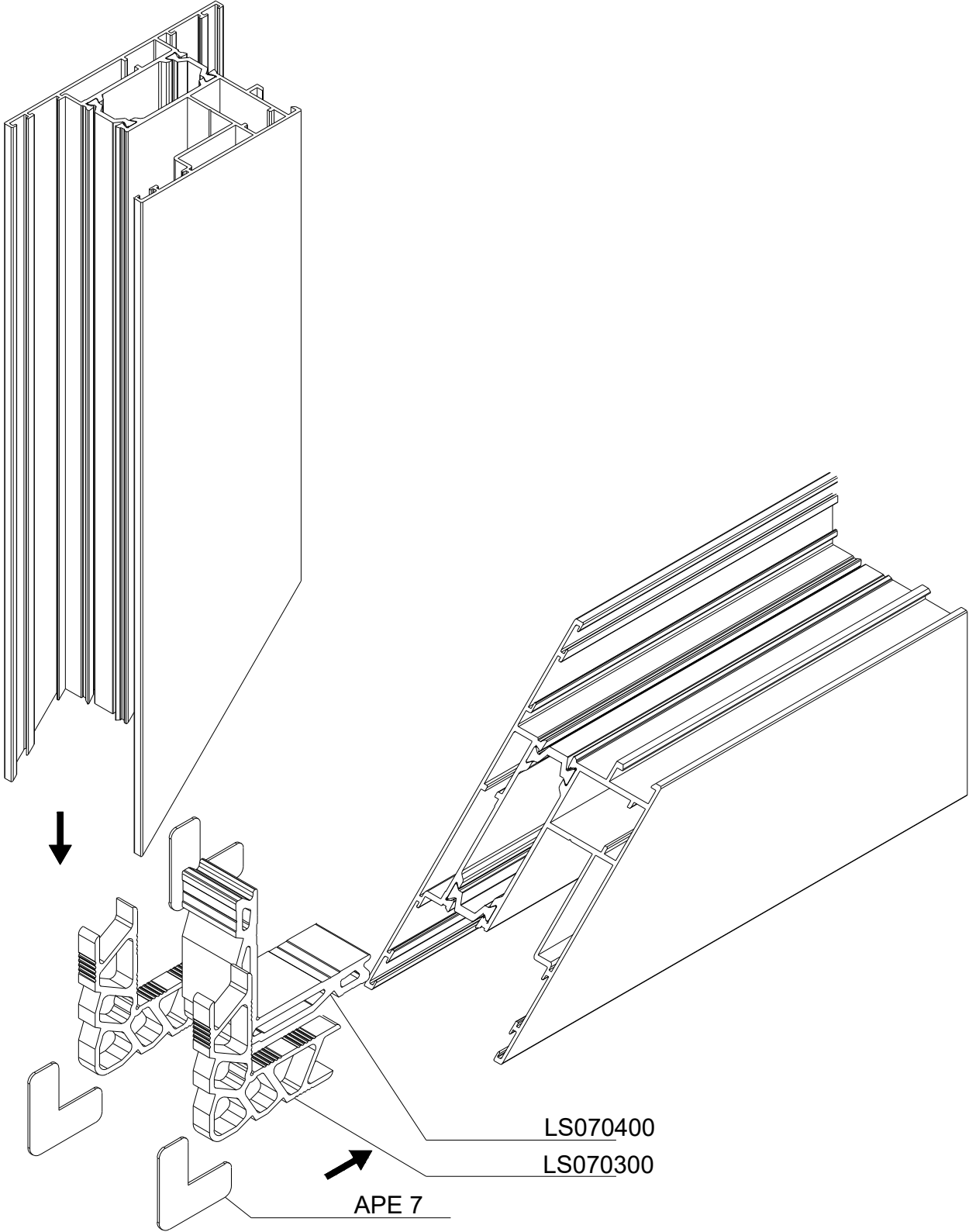
3D DETAILS
**Corner connection triple sliding frame
with press corner**



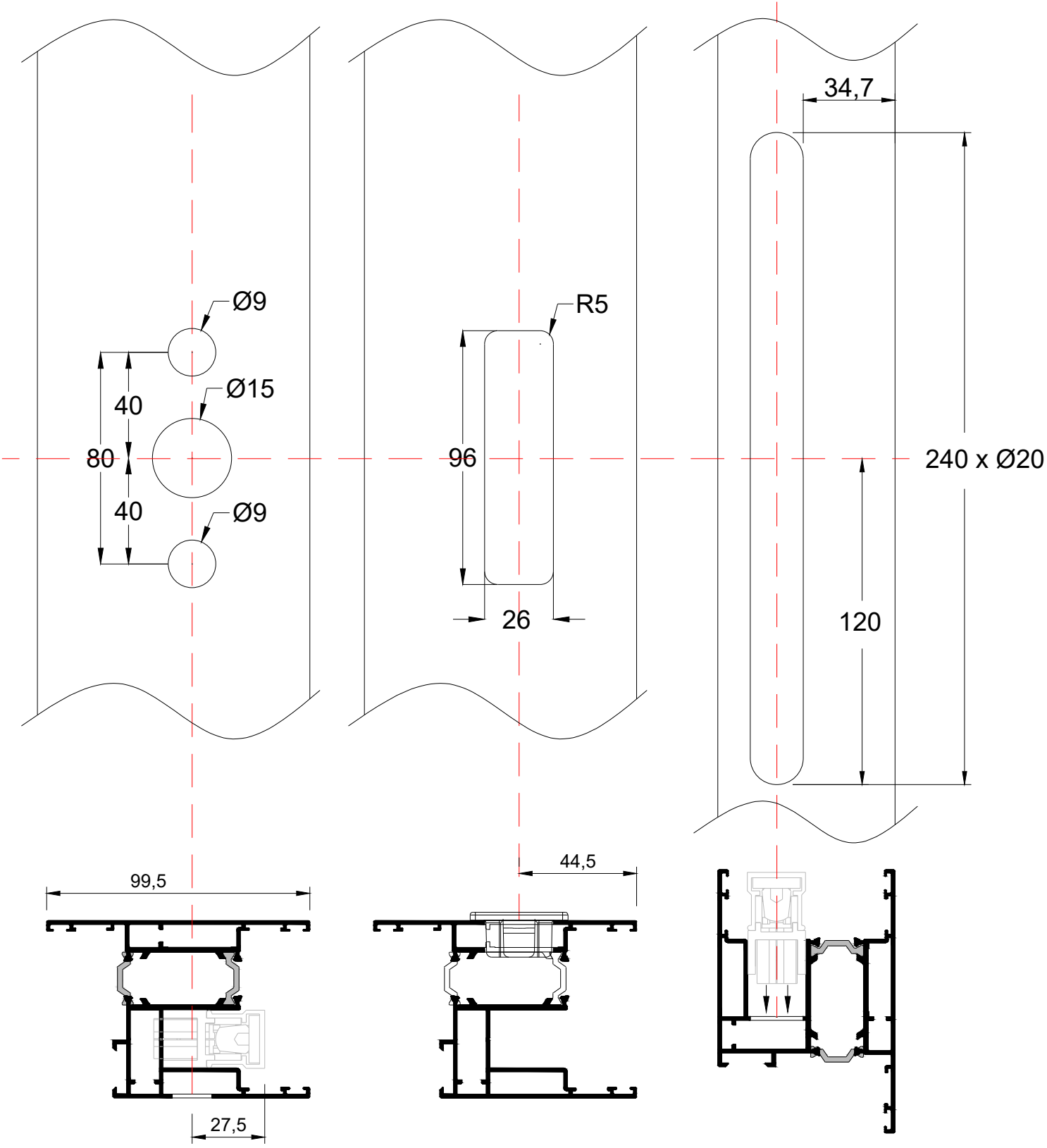
3D DETAILS
**Corner connection sash
with mechanical corner**



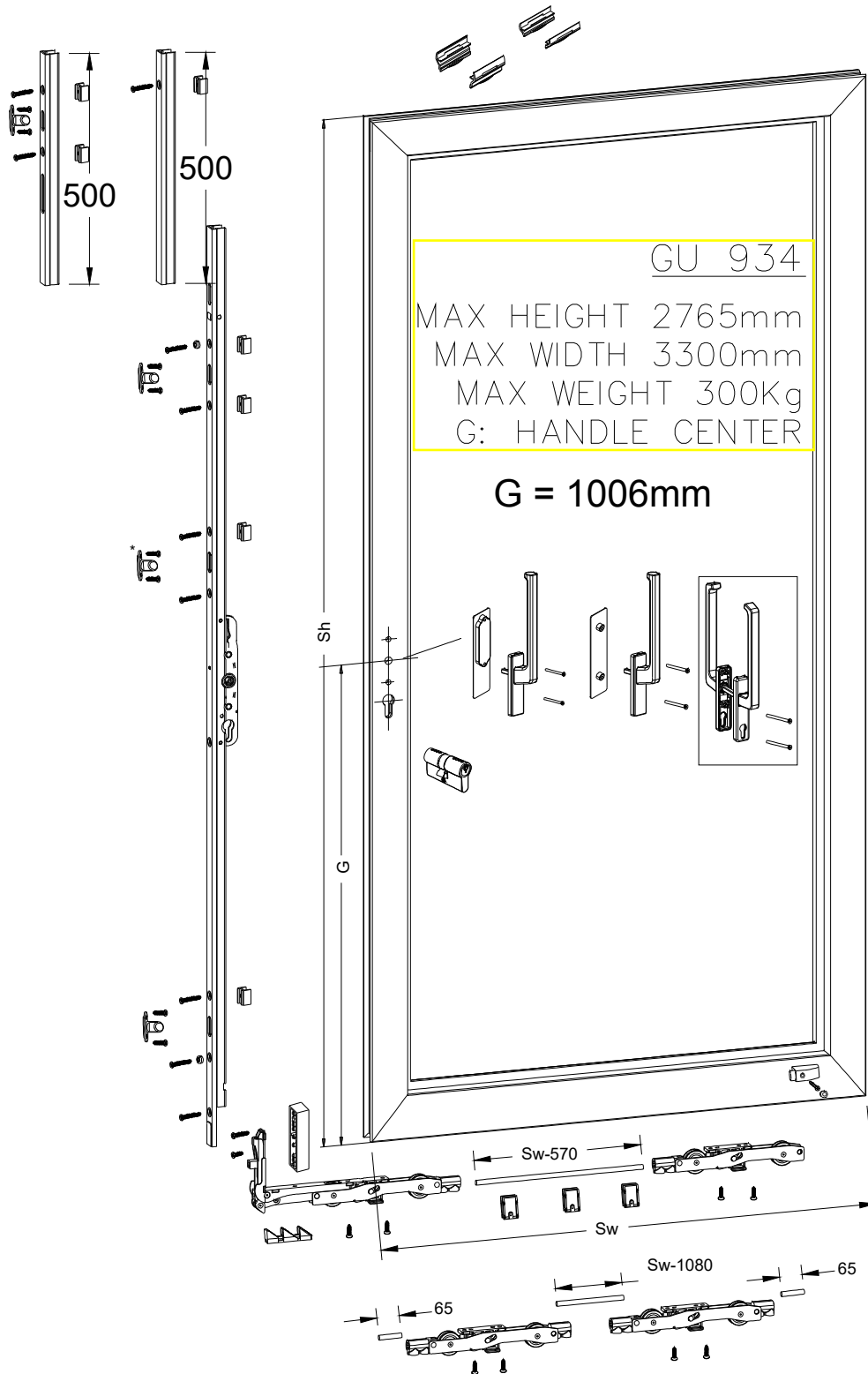
3D DETAILS
**Corner connection sash
with press corner**



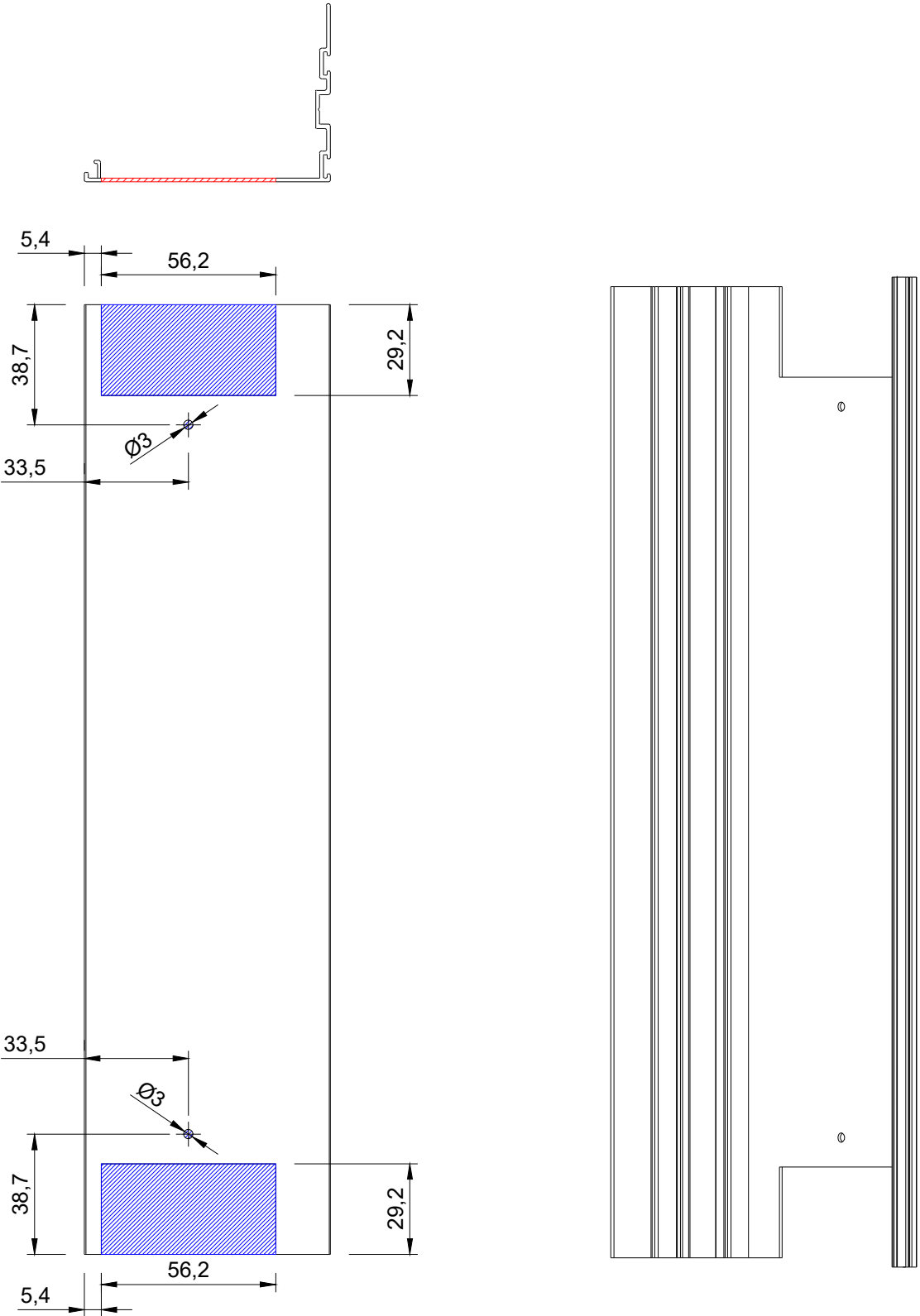
3D DETAILS
*Milling of sash for lock
installation*



3D DETAILS
Lift and Slide mechanism layout

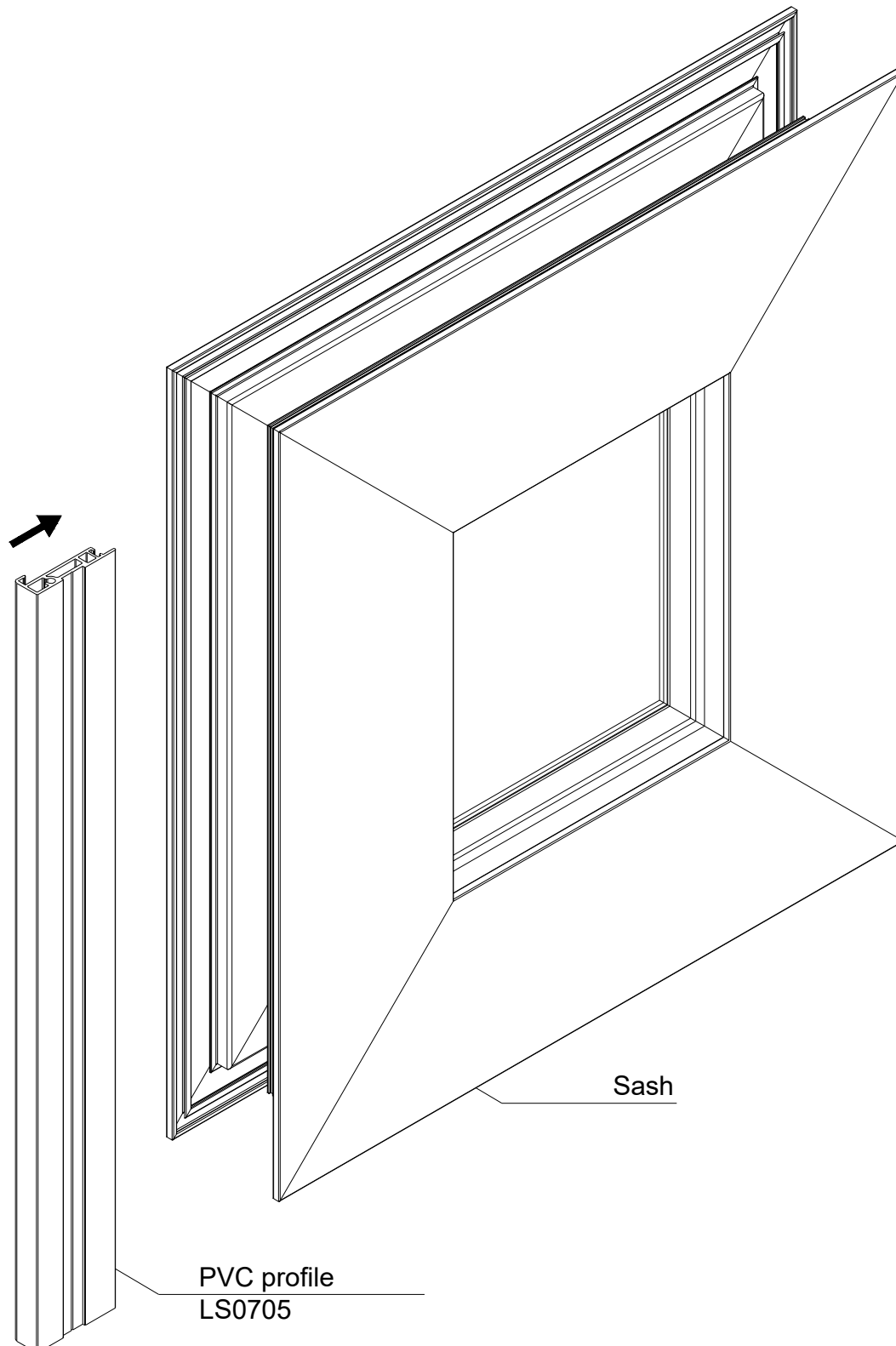


3D DETAILS
*Punching details for hook
profile*



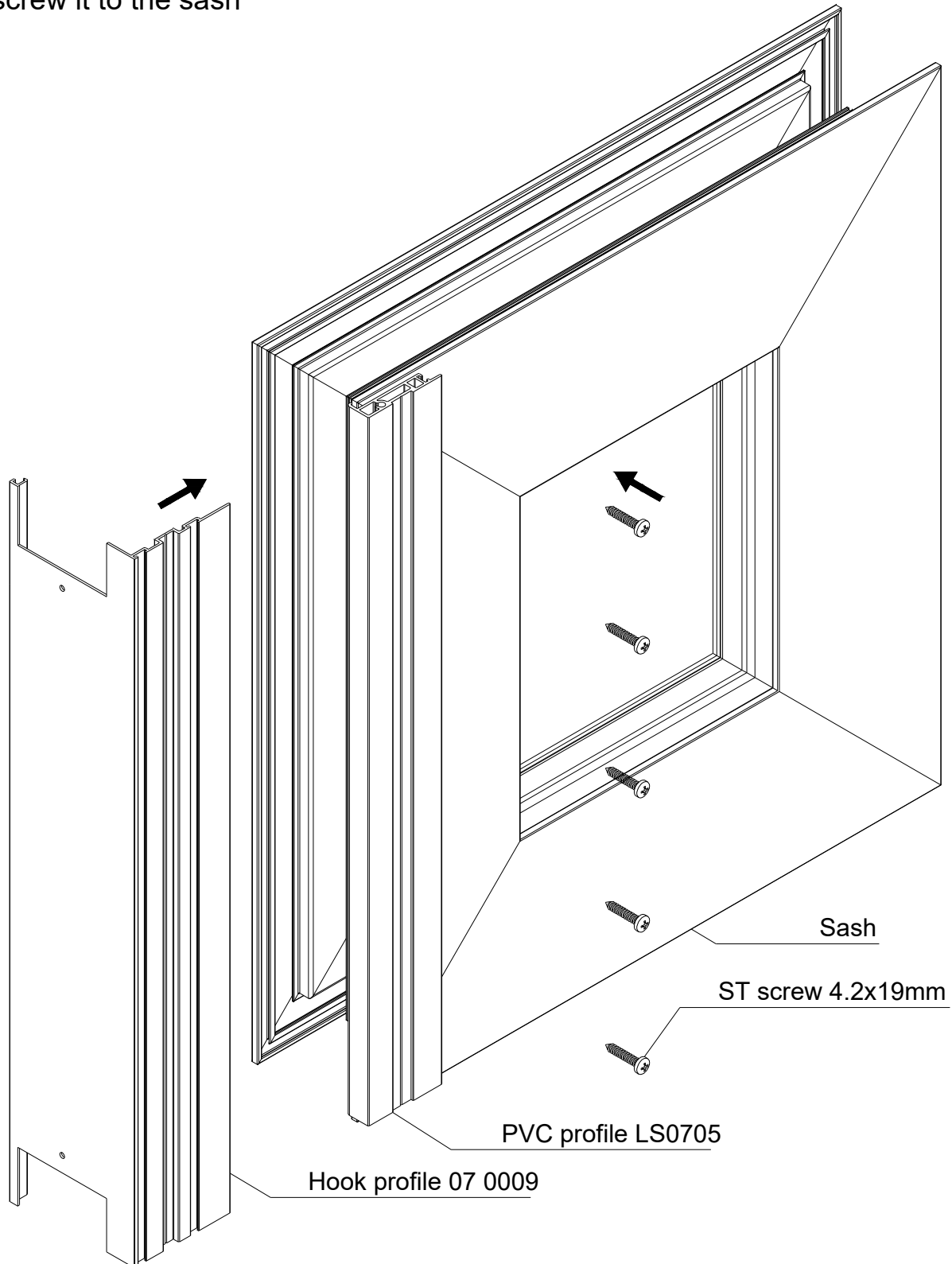
3D DETAILS
Hook assembly with steps

Step 1: Insert the PVC profile



3D DETAILS
Hook detail assembly with steps

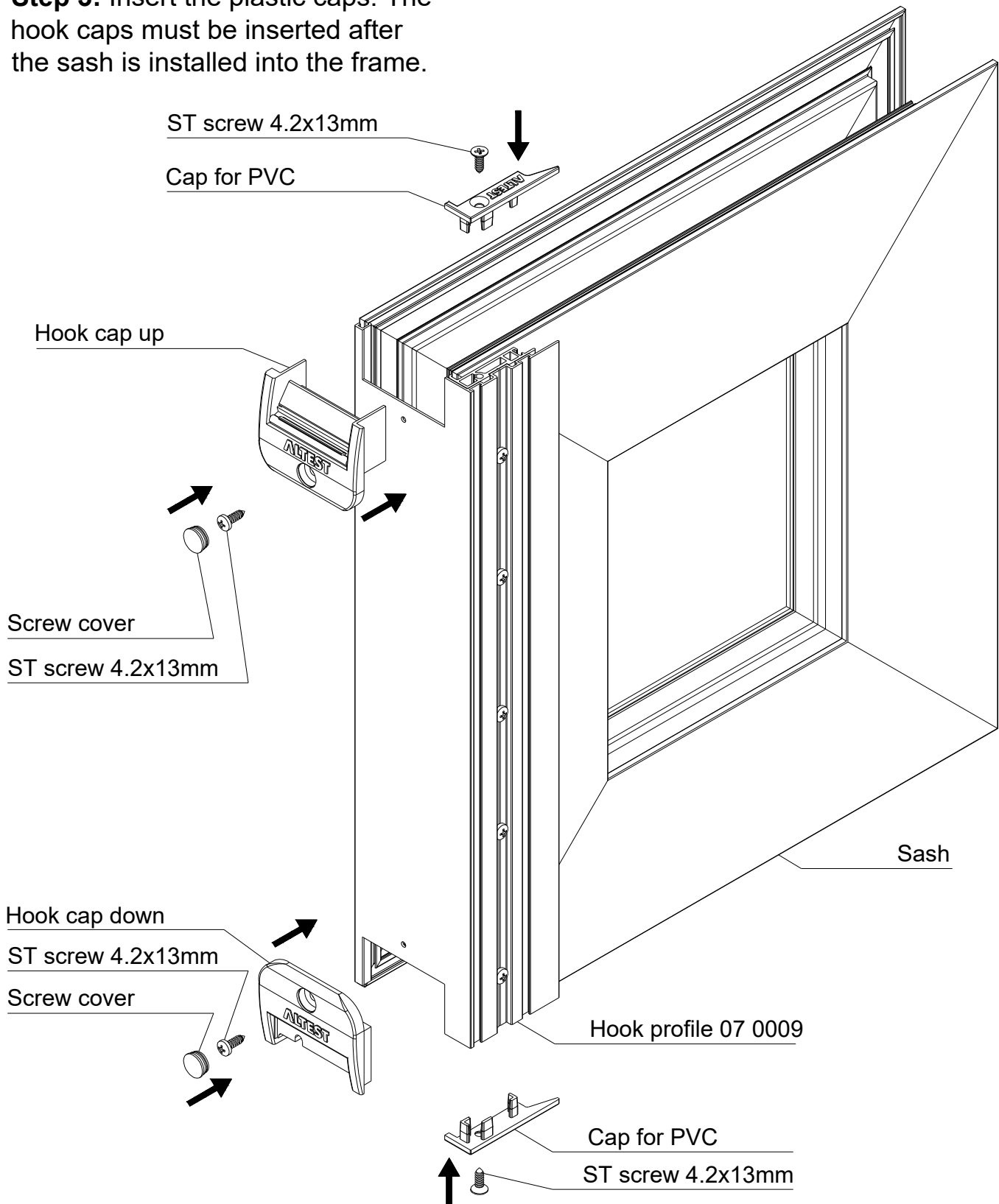
Step 2: Insert the hook profile and screw it to the sash



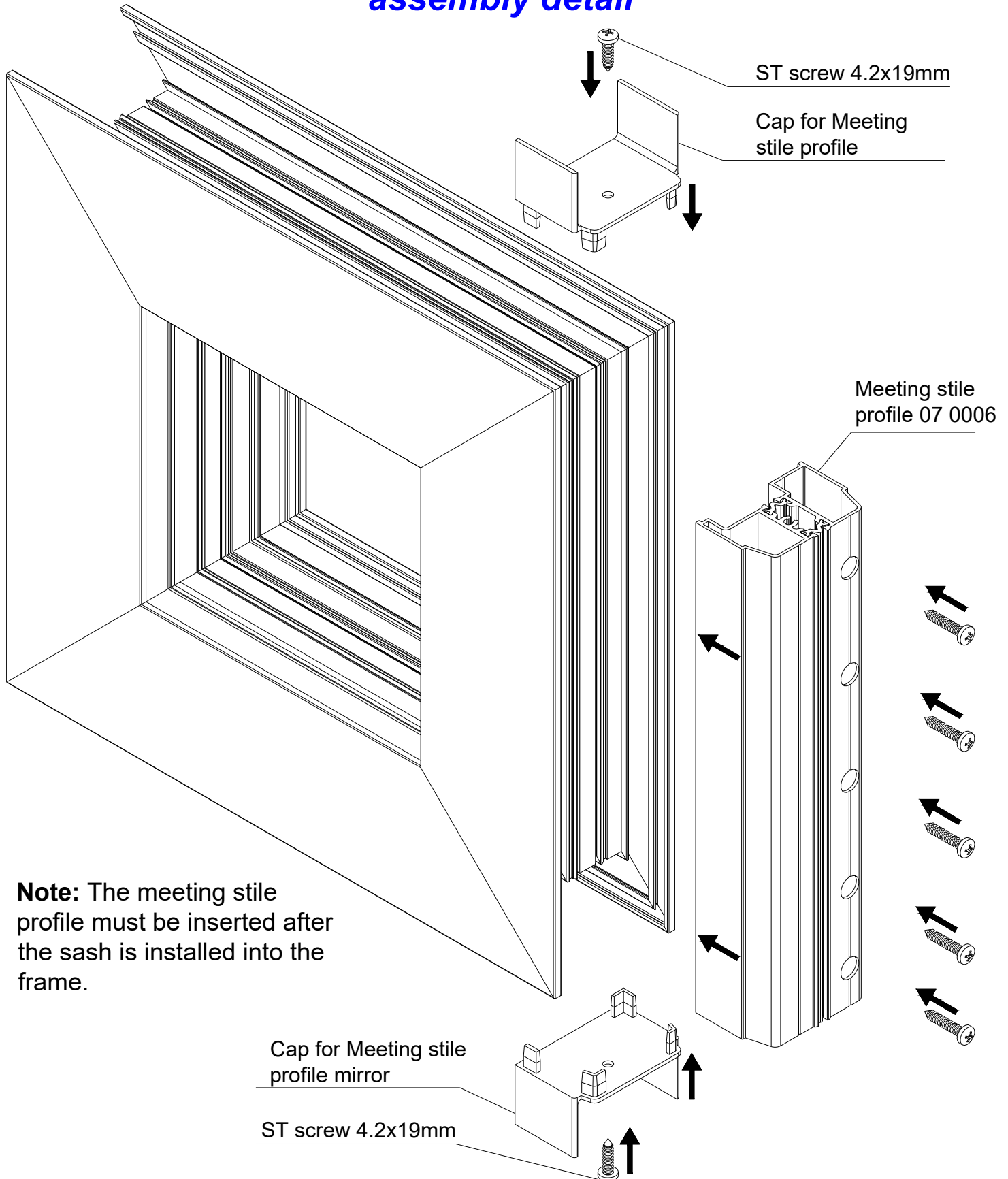
3D DETAILS

Hook detail assembly with steps

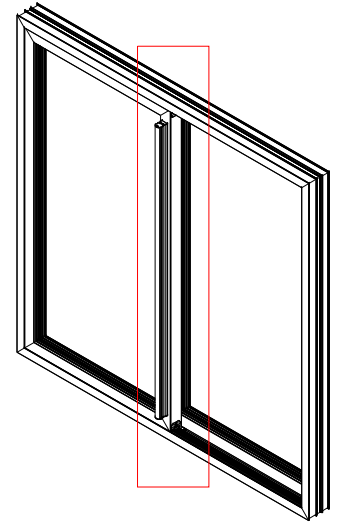
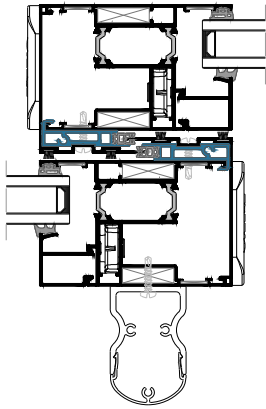
Step 3: Insert the plastic caps. The hook caps must be inserted after the sash is installed into the frame.



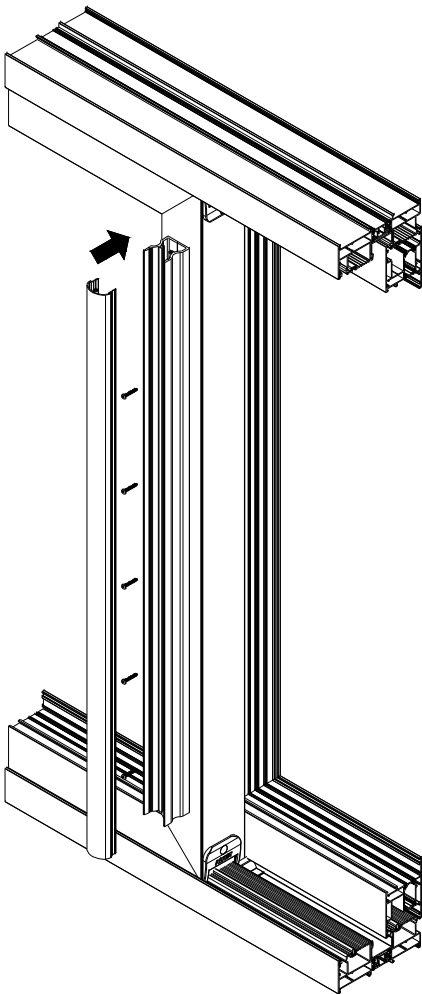
3D DETAILS
Meeting stile profile
assembly detail



3D DETAILS
Handle connection

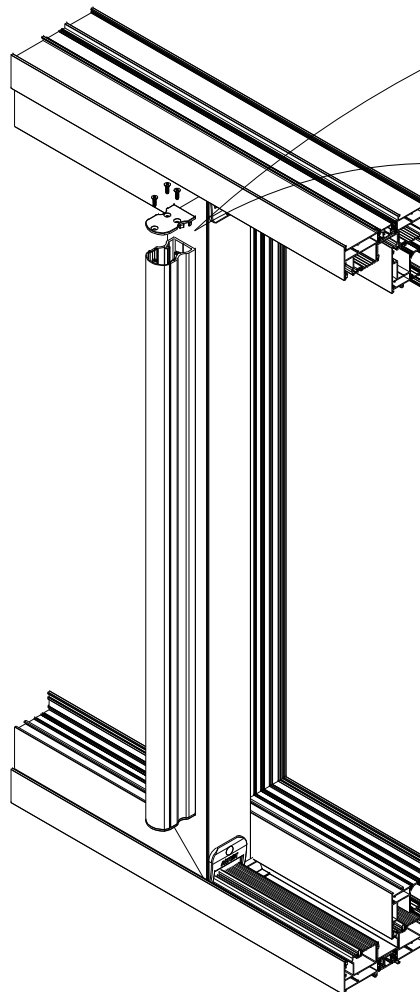


Step 1

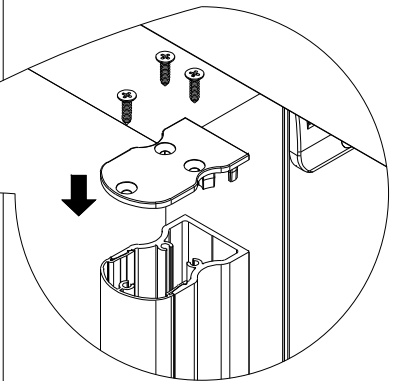


Screw the handle to sash
and install the cover profile

Step 2



Install the cover cap
and screwed



Cutting dimension of
2 profiles



Sash height - 200mm